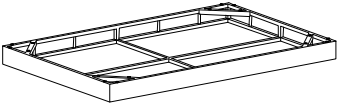
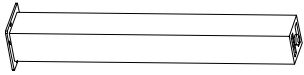

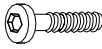



INSTALL INSTRUCTION

No	PARTS LIST	QTY PCS
A		1
B		4
C		1
G		16
H		16

