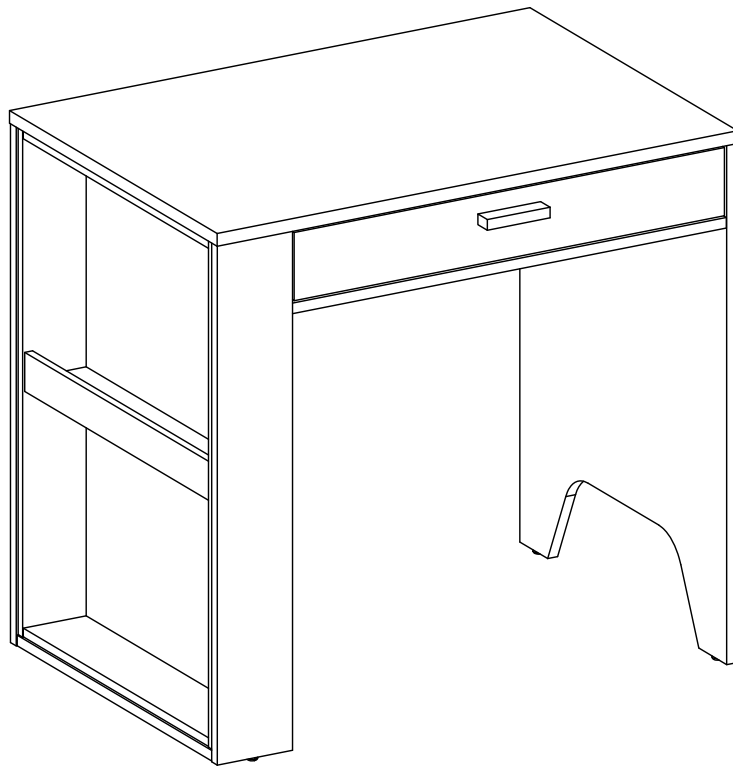


ASSEMBLY INSTRUCTION

DESK



Keep these instructions for future reference

WARNING

Read instructions carefully. Check no parts are missing.

Assemble the furniture on a soft level surface to avoid damaging the furniture or your floor.

Carefully identify each component, especially those that are similar.

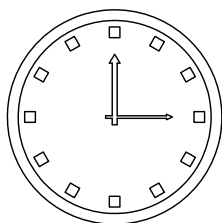
The most common mistake is getting things back to front.

Separate and identify each component from the hardware pack and rest each one in it's proper location before fastening.

We recommend furniture be assembled near where they will be placed, to avoid moving the product unnecessarily once assembled.

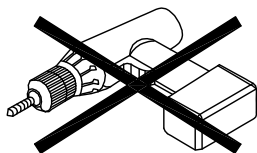
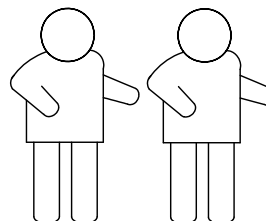
If there is a need to move the furniture, please remove all loose items and have extra hands to help lift the furniture to the desired location. Dragging the furniture will damage both the furniture and the floor.

Regularly check and re-tighten (if necessary) all bolts on furniture that you have assembled yourself.



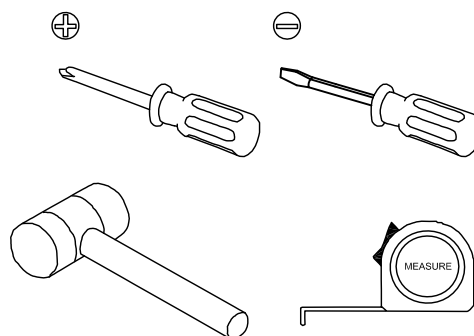
ALLOW 45 MIN

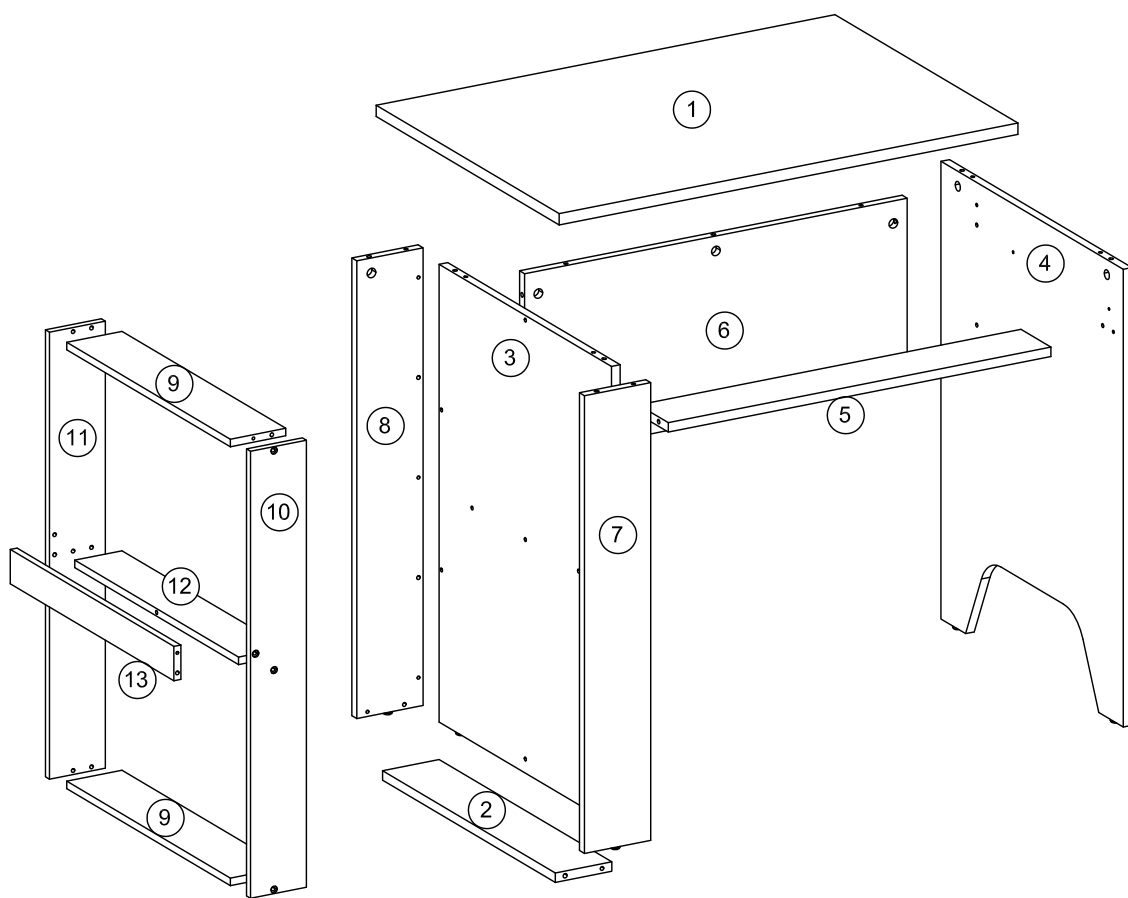
2 Persons Required



DO NOT USE ON PRODUCT


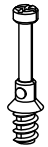







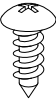
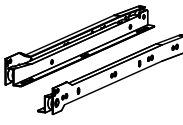
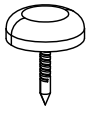

Tools Required



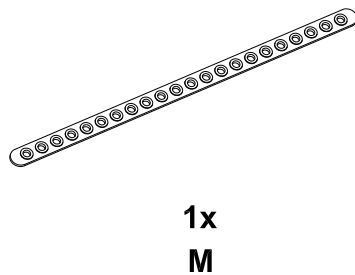
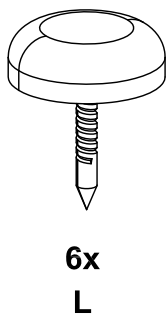
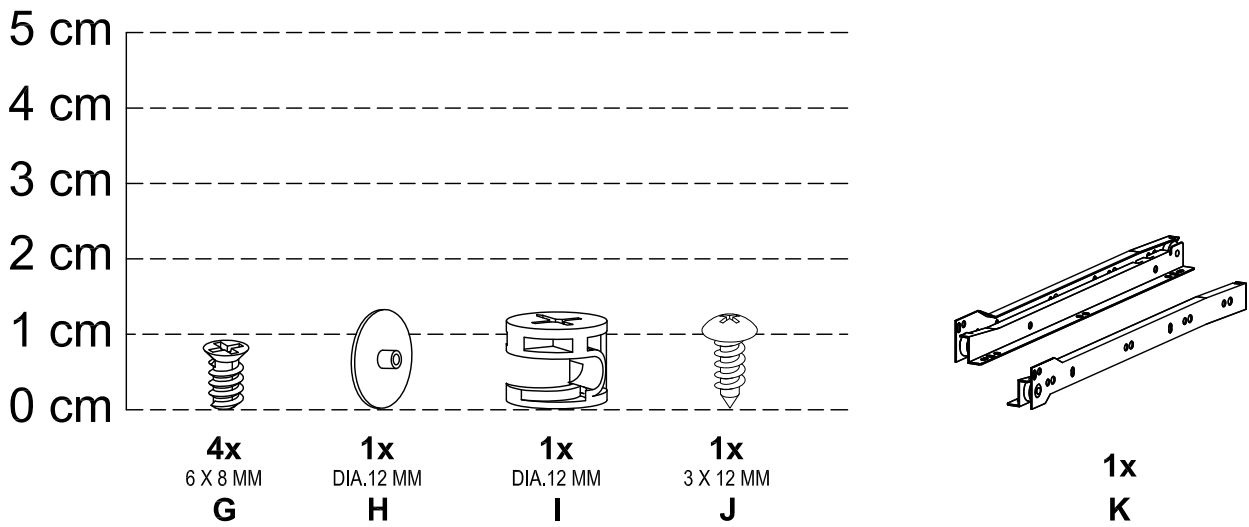
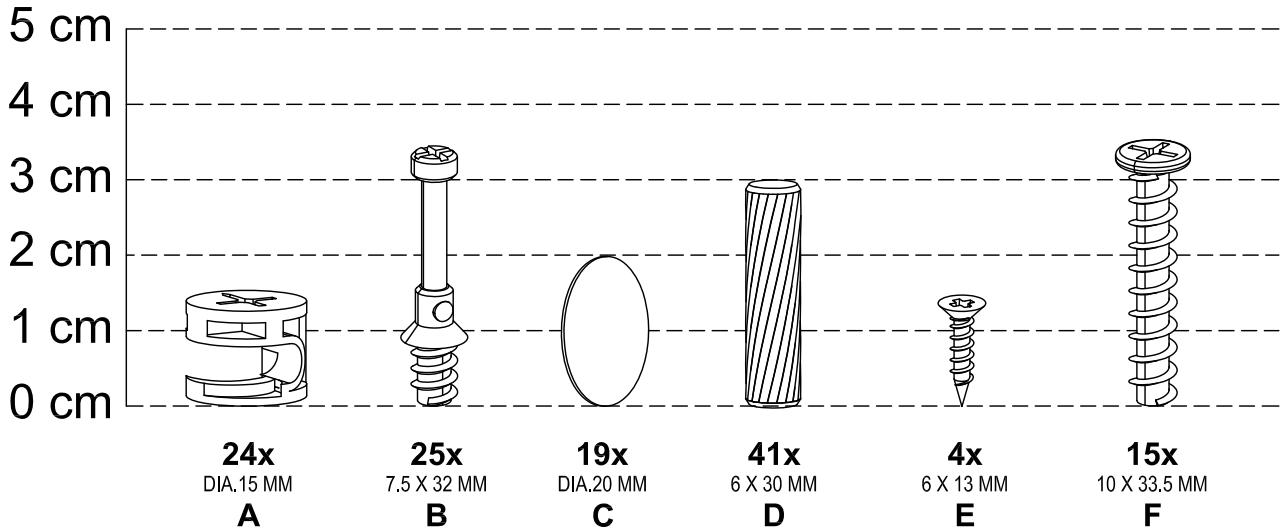


CHECK LIST



<p>A <input type="checkbox"/></p>  <p>Ø15 mm Ax24</p>	<p>B <input type="checkbox"/></p>  <p>Ø7,5x32 mm Bx25</p>	<p>C <input type="checkbox"/></p>  <p>Ø20 mm Cx19</p>	<p>D <input type="checkbox"/></p>  <p>Ø6x30 mm Dx41</p>	<p>E <input type="checkbox"/></p>  <p>M6x13 mm Ex4</p>
<p>F <input type="checkbox"/></p>  <p>M10x33,5 mm Fx15</p>	<p>G <input type="checkbox"/></p>  <p>M6x8 mm Gx4</p>	<p>H <input type="checkbox"/></p>  <p>Ø12 mm Hx1</p>	<p>I <input type="checkbox"/></p>  <p>Ø12 mm Ix1</p>	<p>J <input type="checkbox"/></p>  <p>M3x12 mm Jx1</p>
<p>K <input type="checkbox"/></p>  <p>Kx1</p>	<p>L <input type="checkbox"/></p>  <p>Lx6</p>	<p>M <input type="checkbox"/></p>  <p>Mx1</p>		

HARDWARE LIST



1



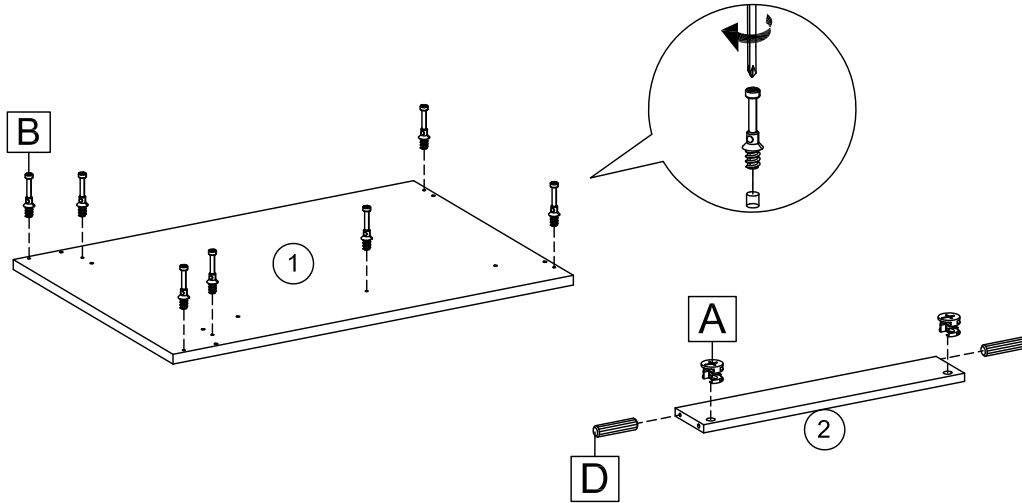
Ax2



Bx7



Dx2



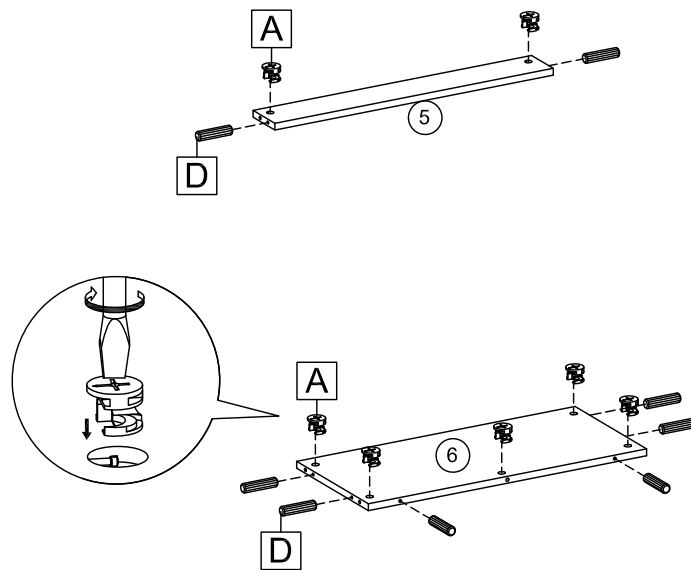
2



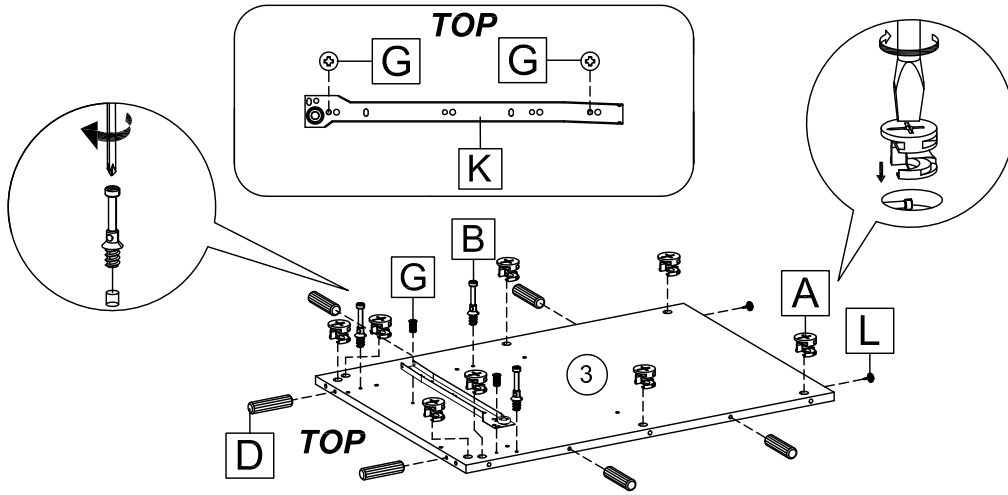
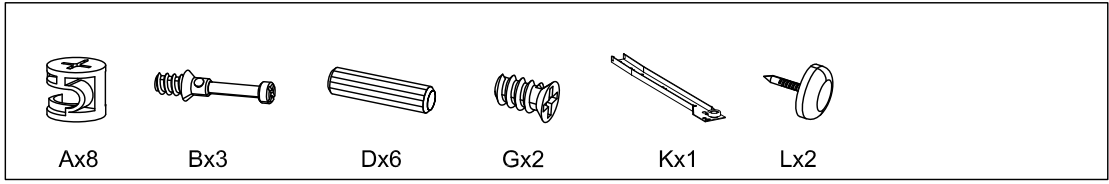
Ax7



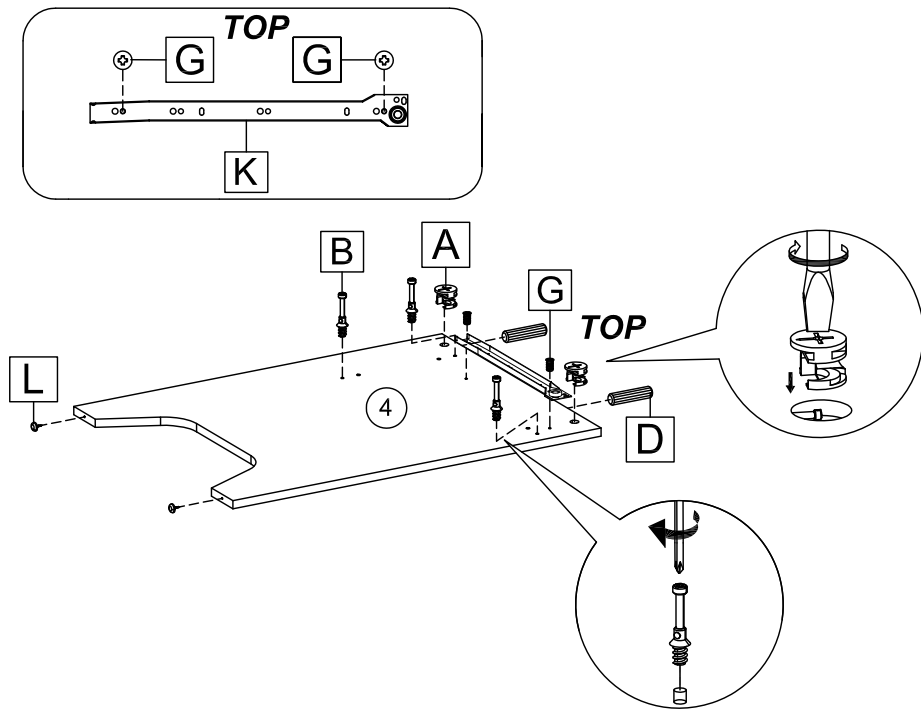
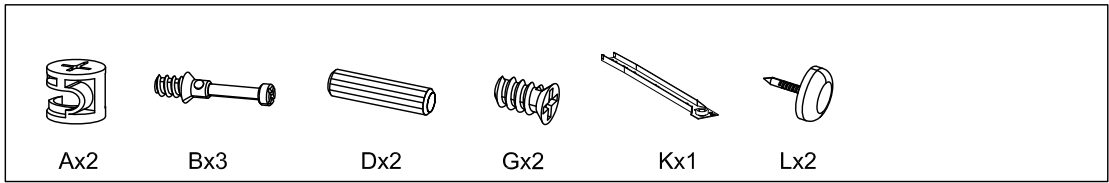
Dx8



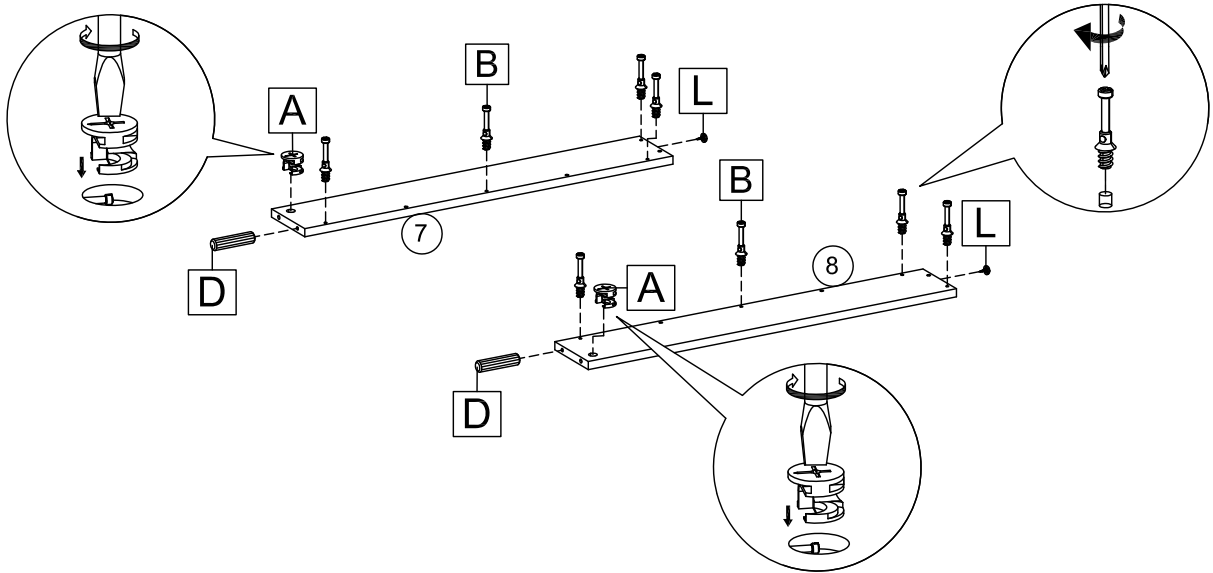
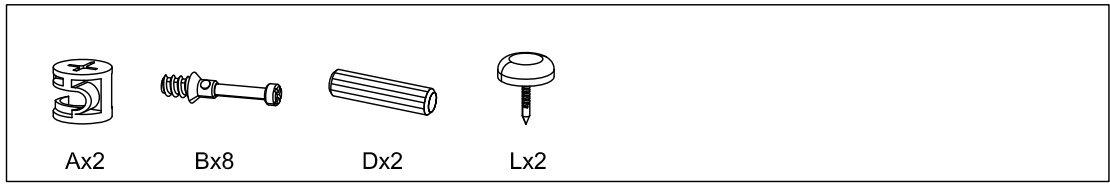
3



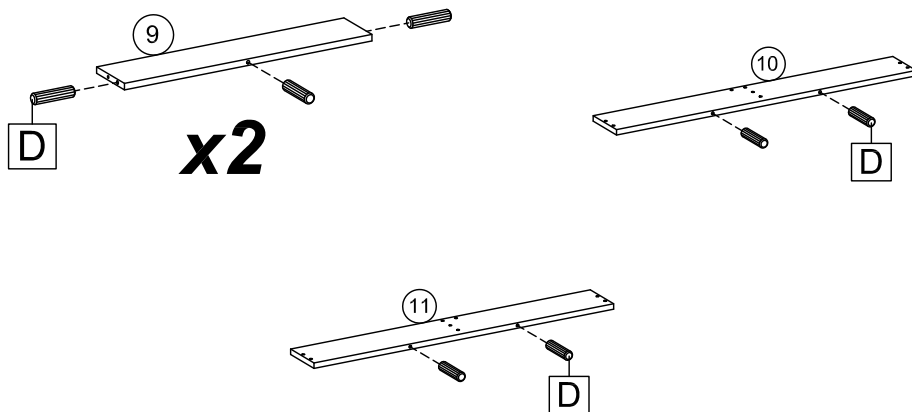
4



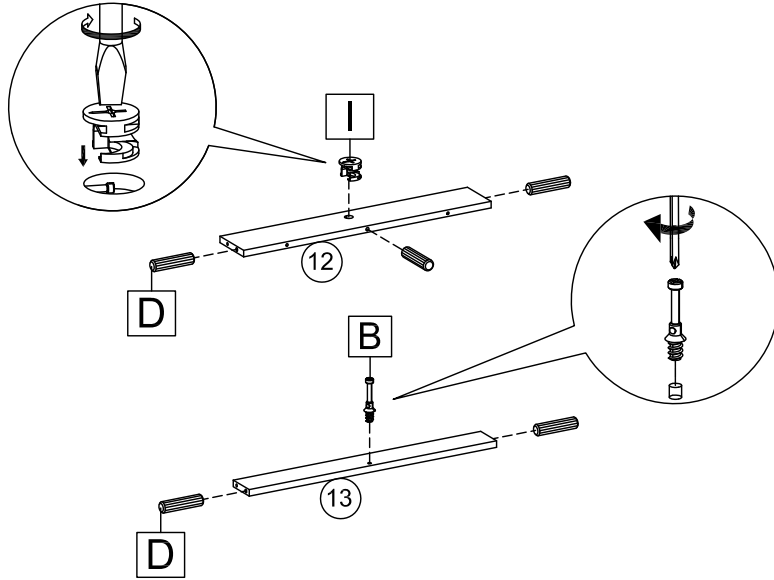
5



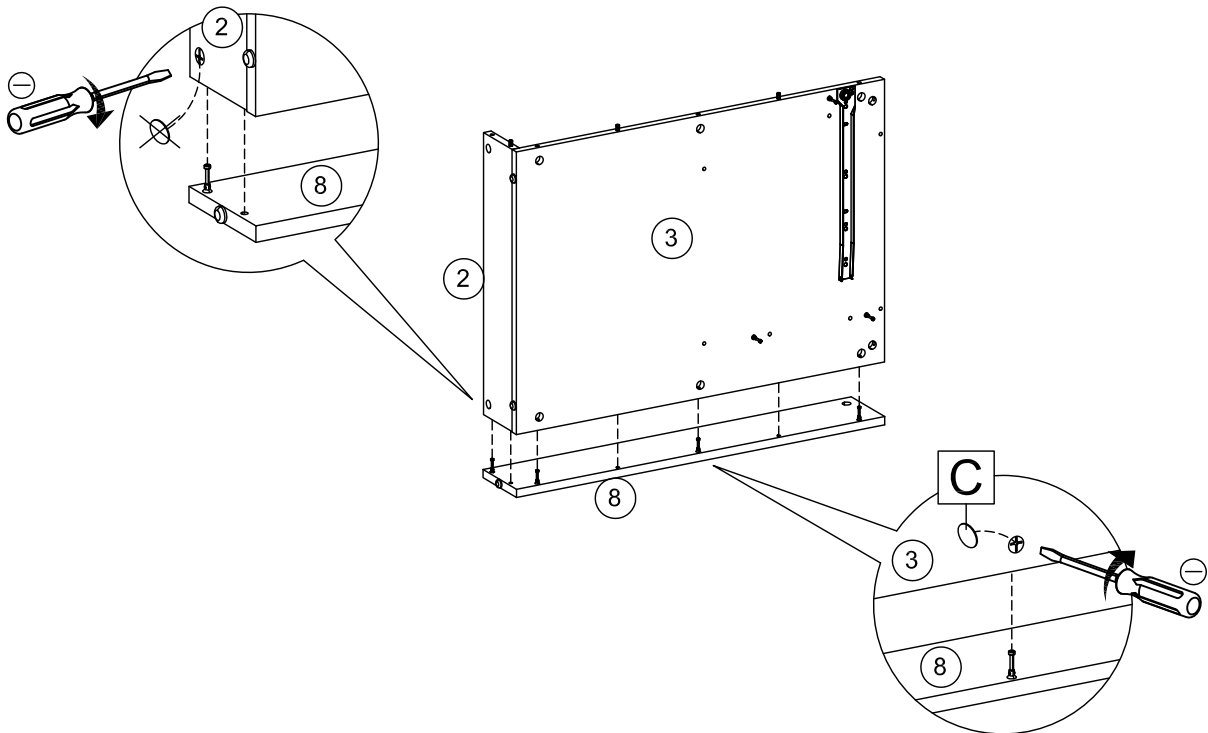
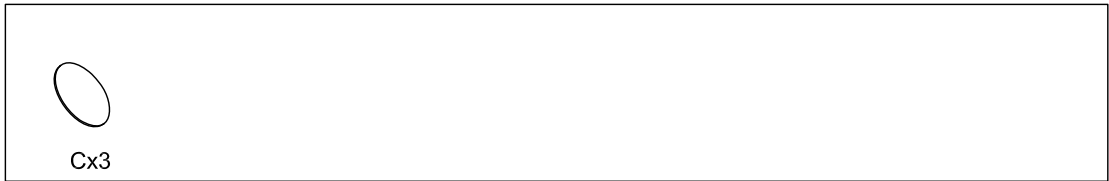
6



7



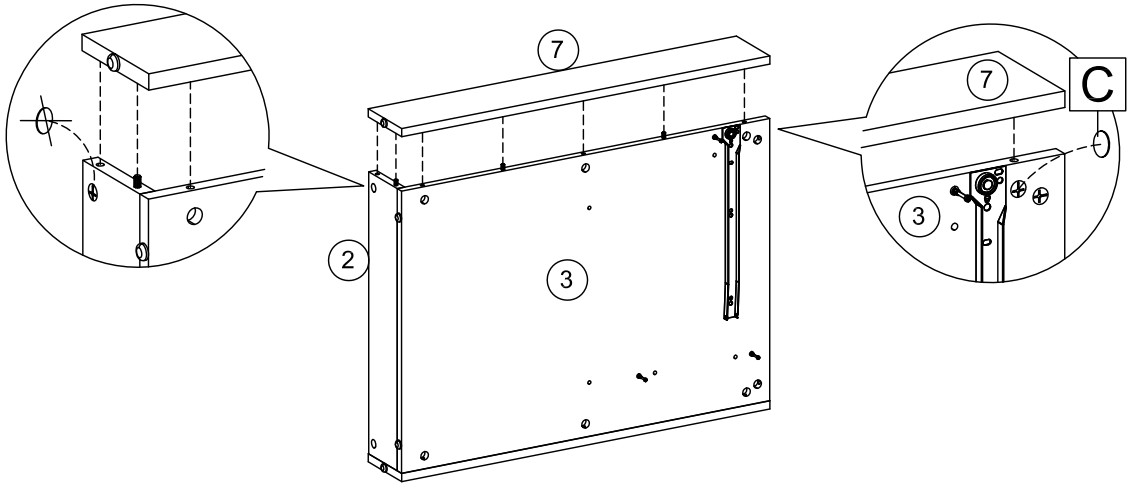
8



9



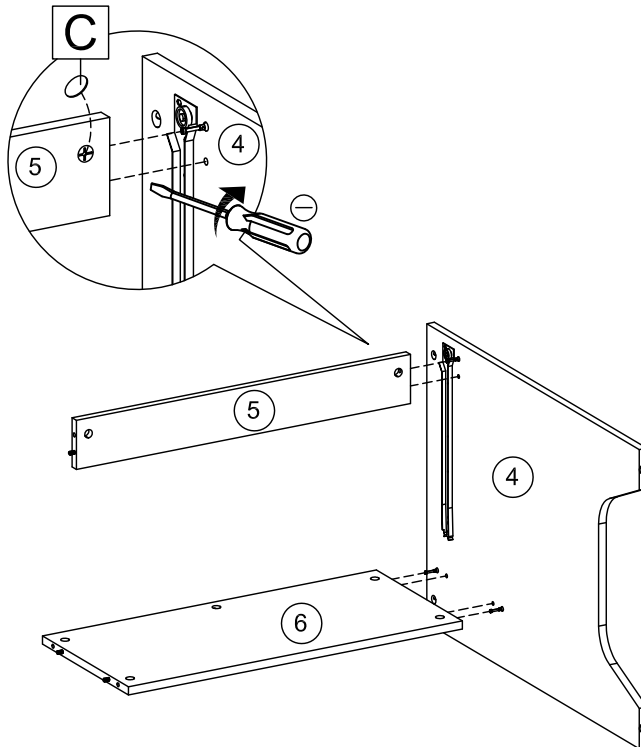
Cx3



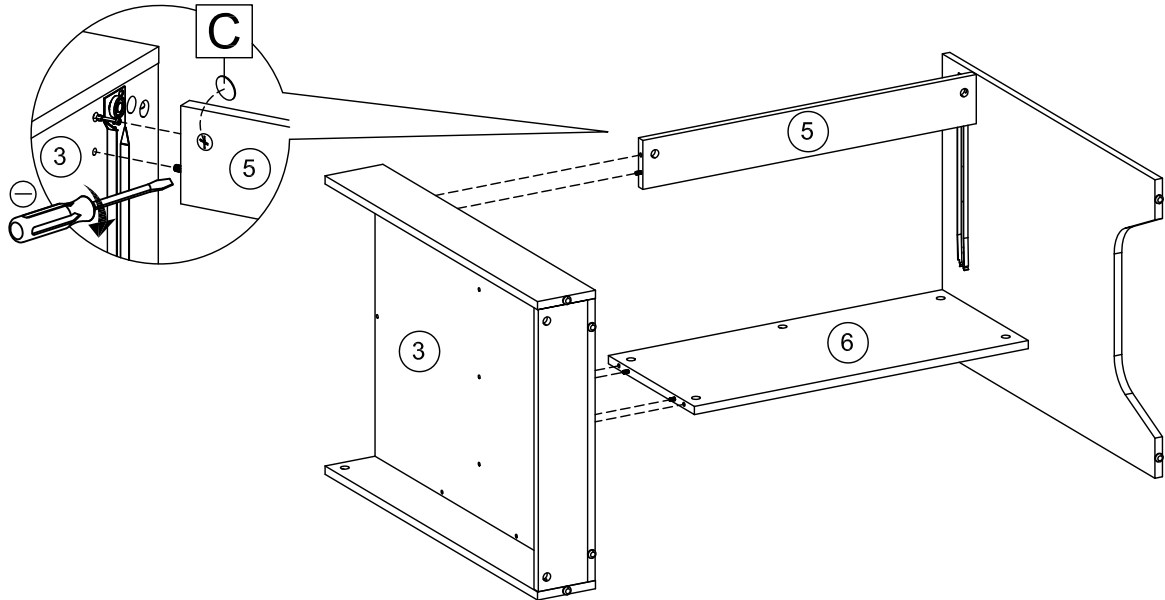
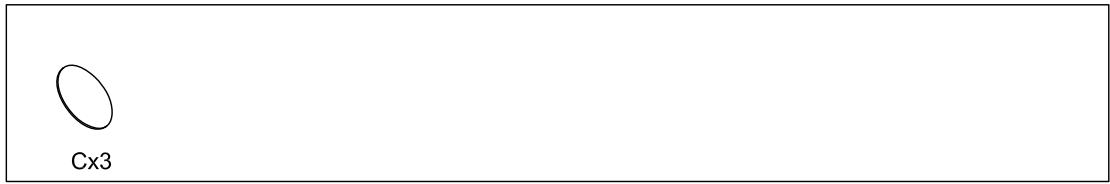
10



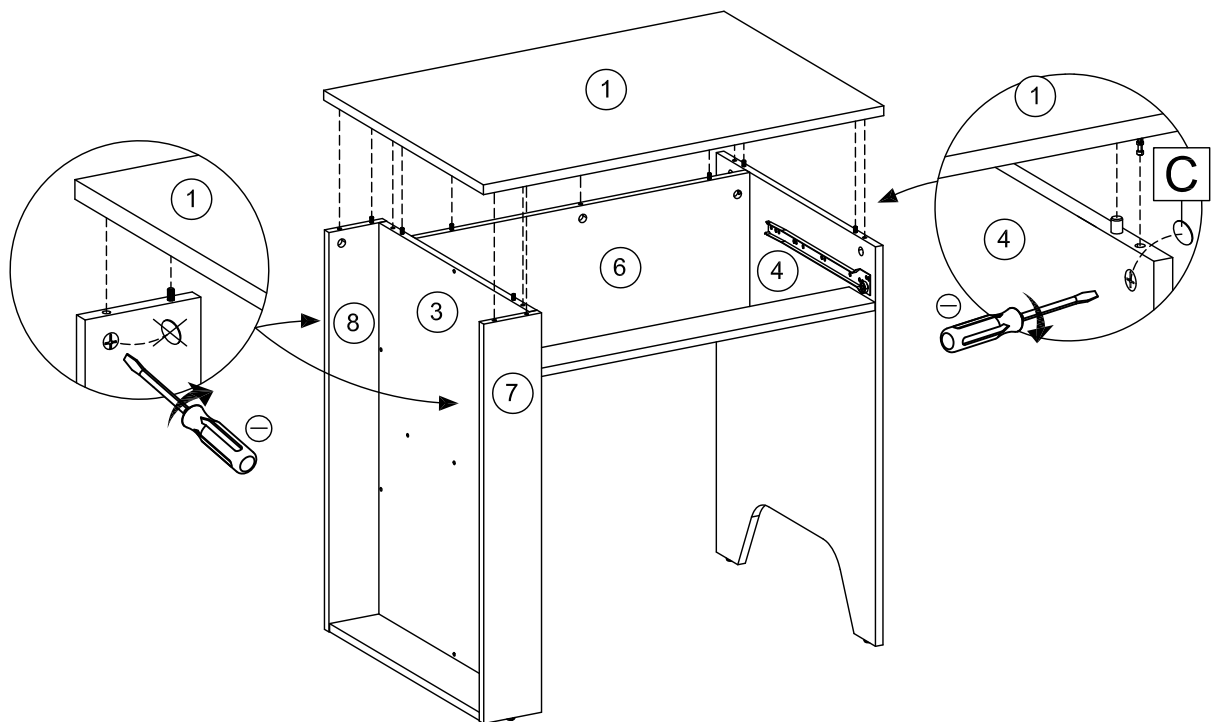
Cx3



11



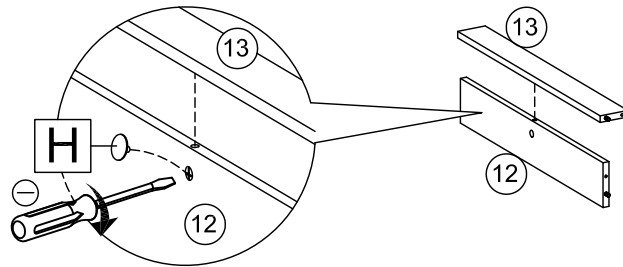
12



13



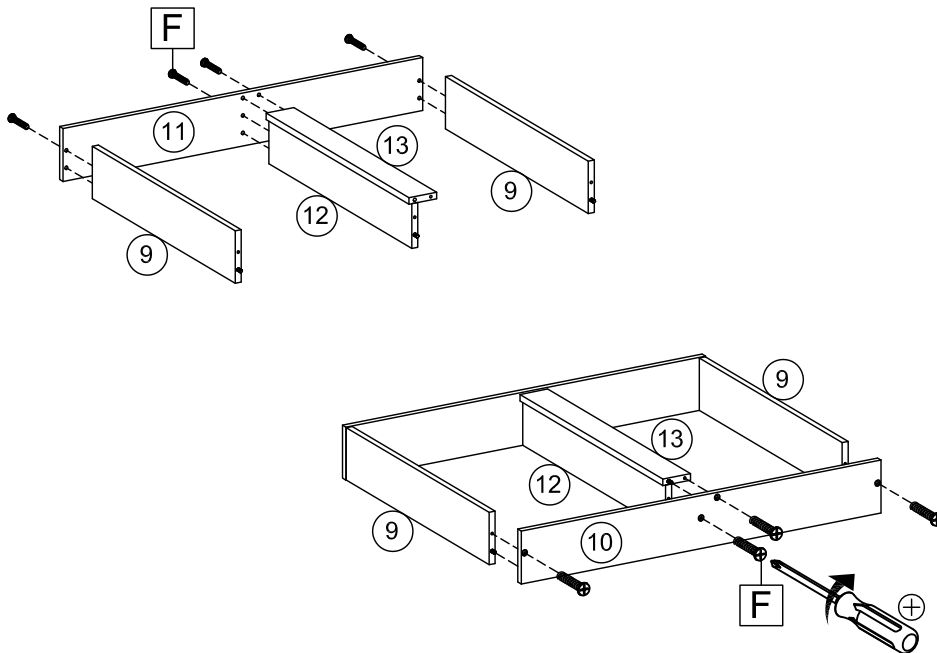
Hx1



14



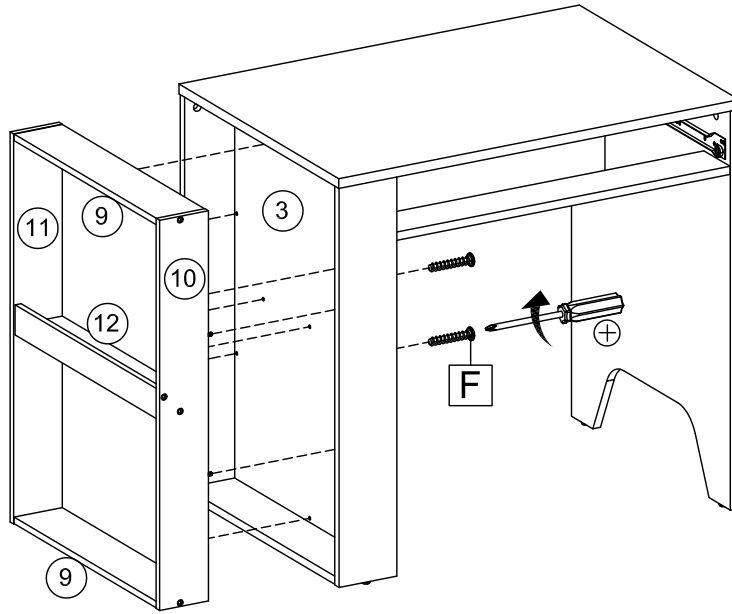
Fx8



15



Fx2



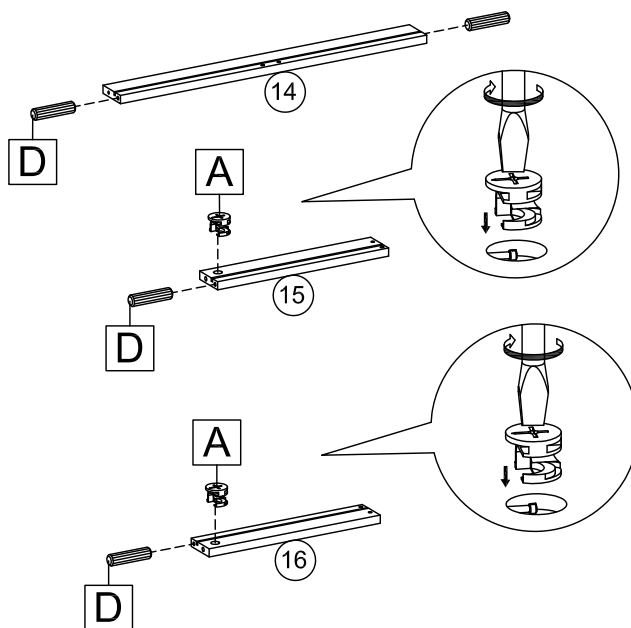
16



Ax2

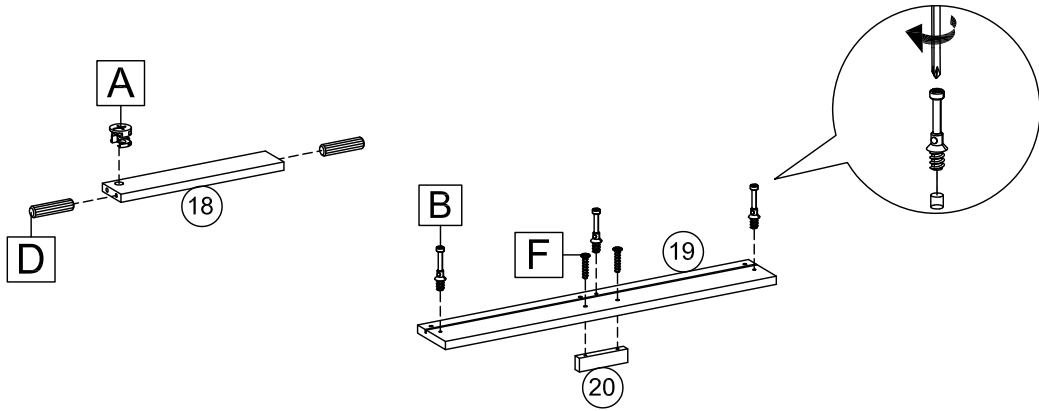
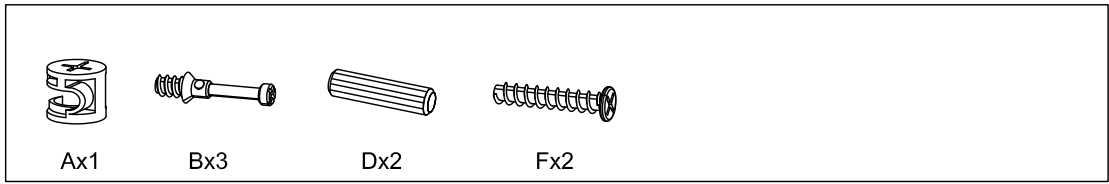


Dx4

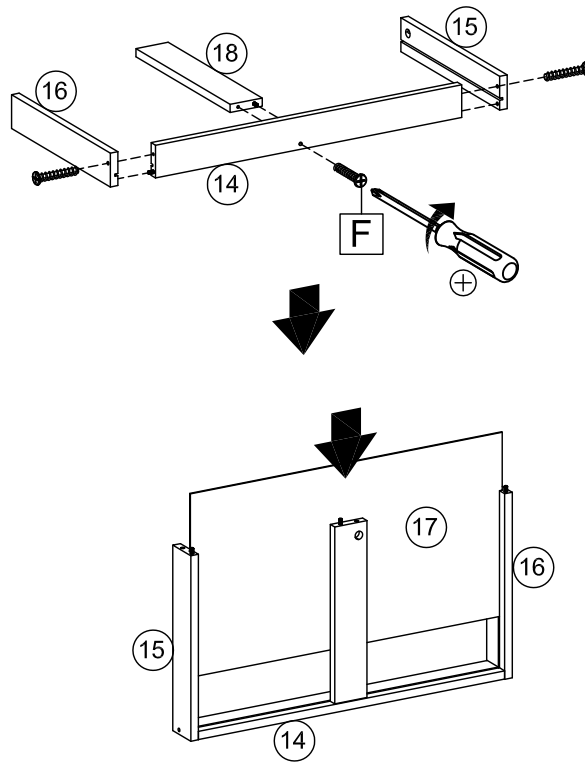


13 - 17

17



18

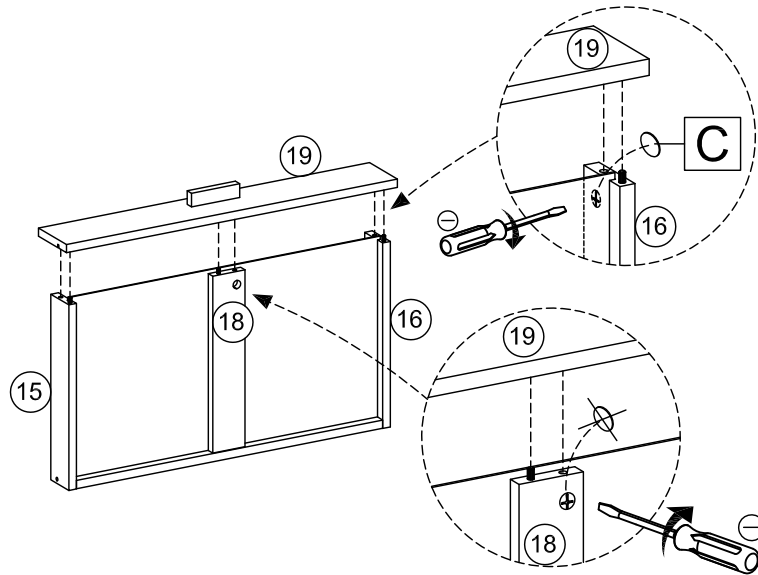


14 - 17

19



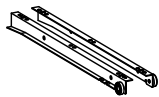
Cx2



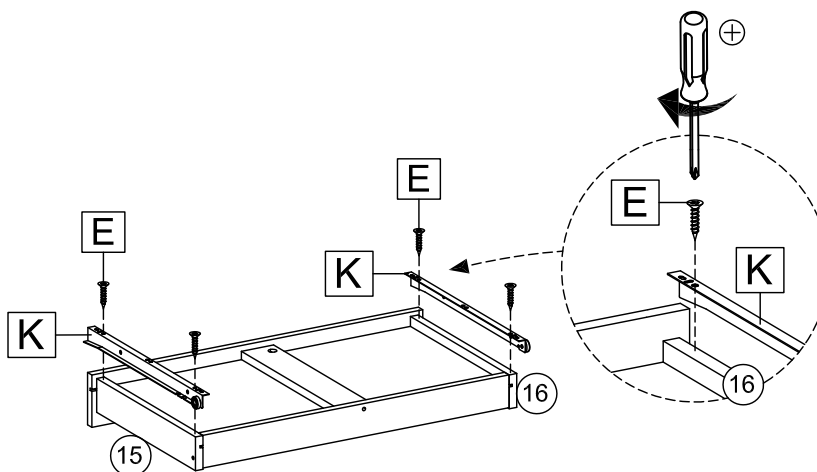
20



Ex4



Kx1



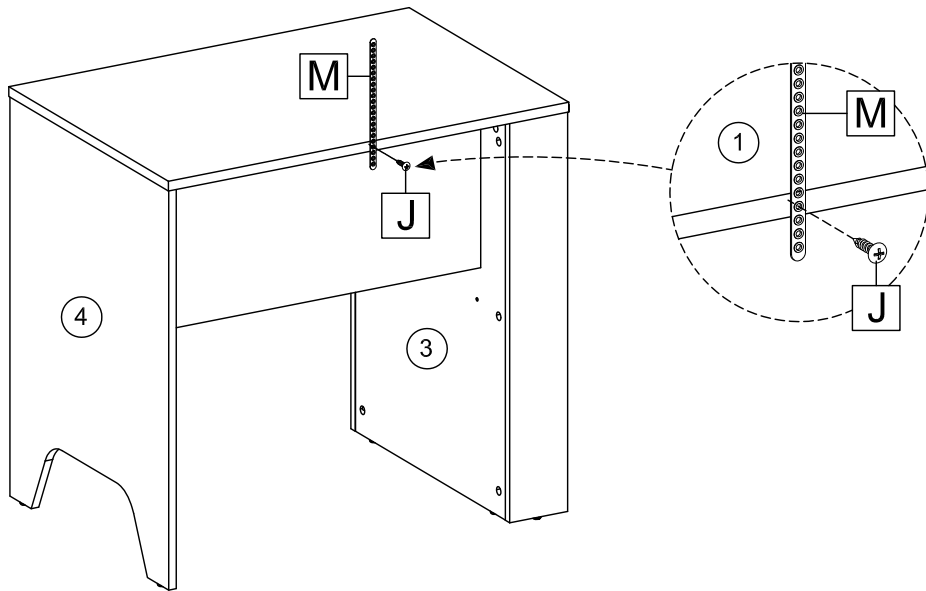
21



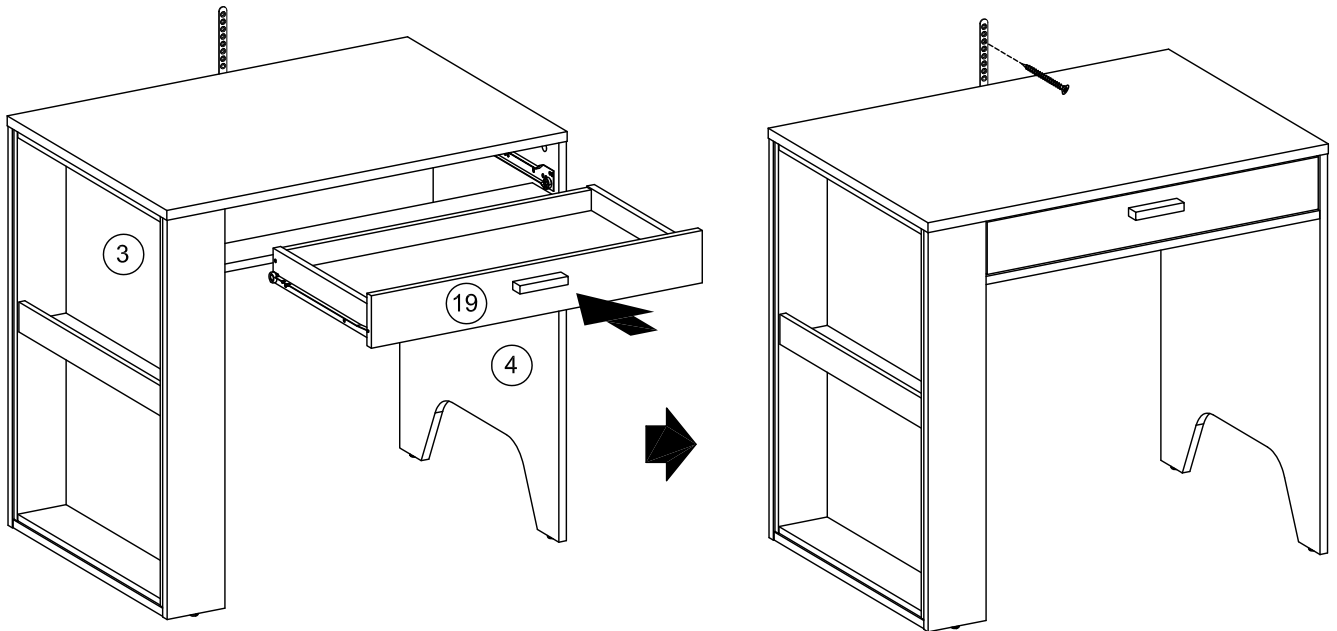
Jx1



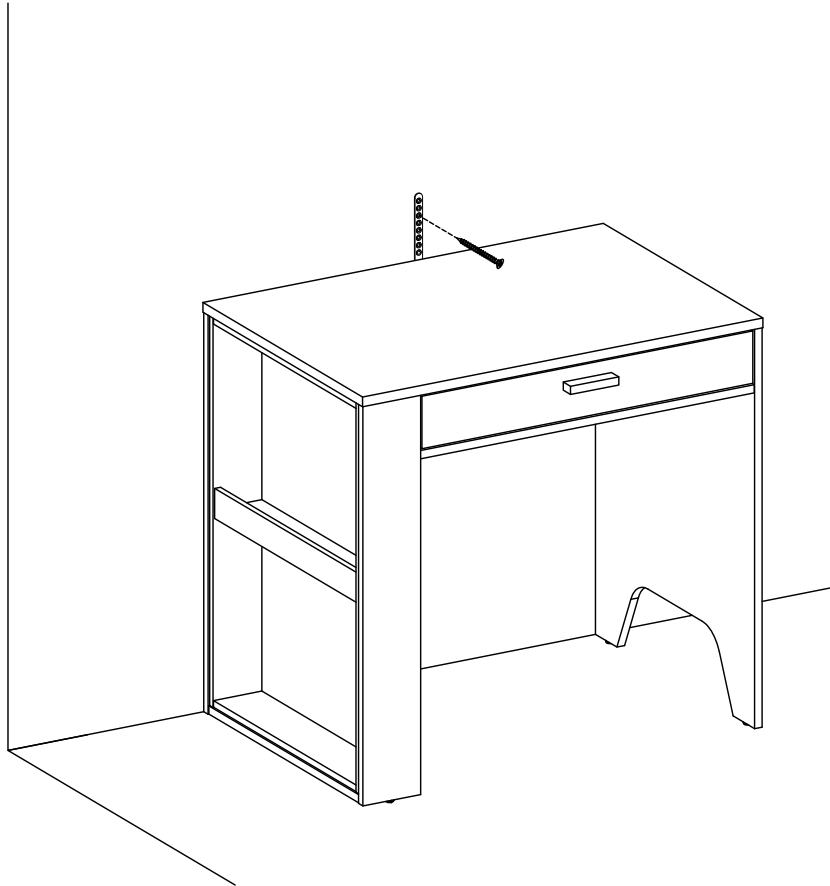
Mx1



22



23



We strongly recommend that this product is permanently fixed to the wall or other suitable surface. Seek advice from a qualified trades person on how to attach this wall strap to your specific wall.

Screw and wall plug are not included.
Please use appropriate fixtures for your wall.
With assistance, move the product to the final position.
Attach the wall straps to the wall with the appropriate fixtures.
Make sure they are firmly attached and secure.