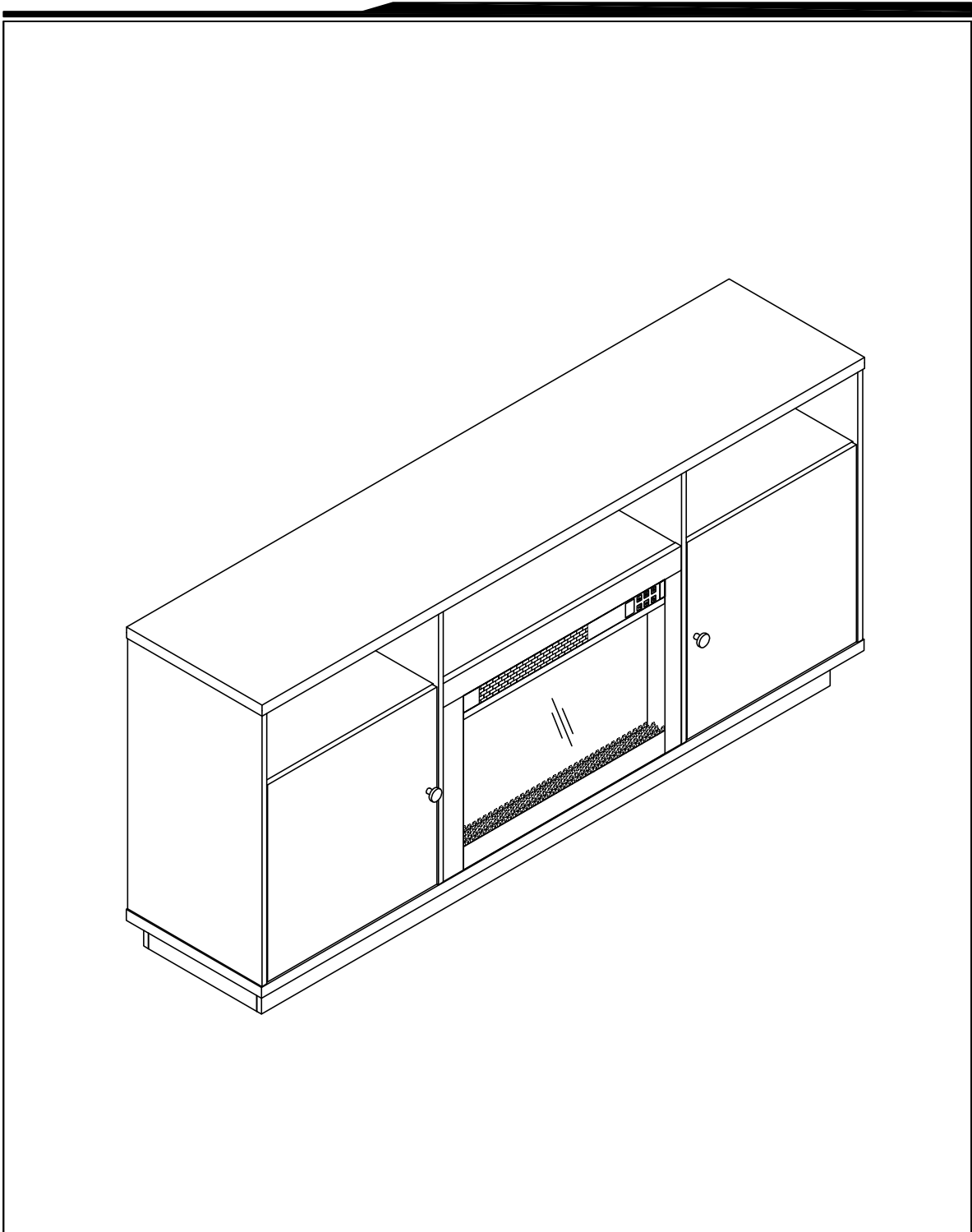


ASSEMBLY INSTRUCTION



Necessary assembly time: 60 minutes.

EN

Thank you for purchase on our products,please contact us if you have difficulty with assembly or need replacement parts. Our customer service is here to assist you.

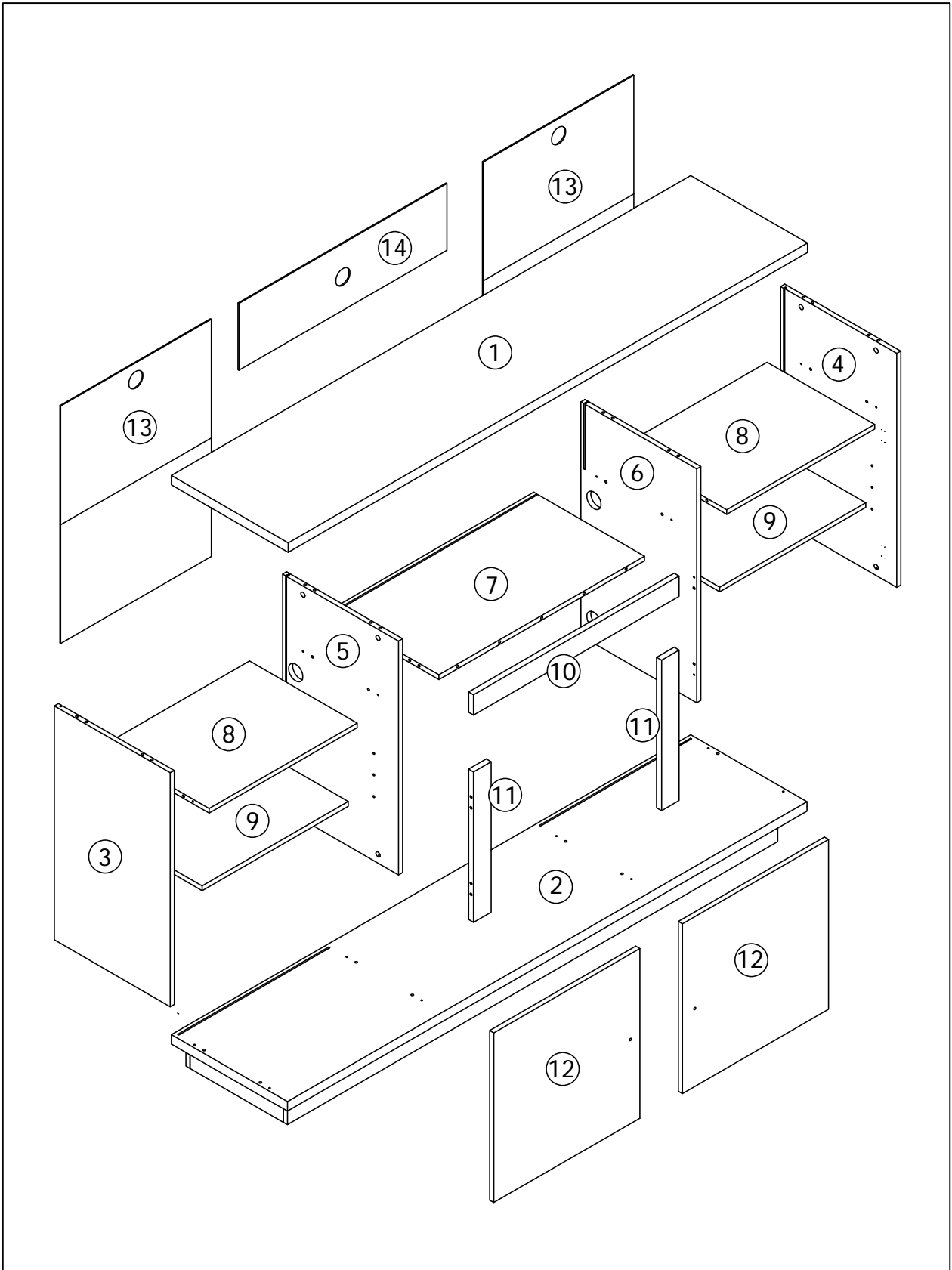
Please attach your User Name or Order ID so that we can assist you better.

WARNING

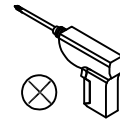
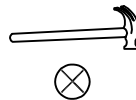
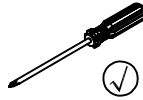
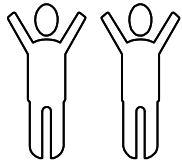
Serious or fatal injury may occur from unexpected assembly or use .

1. During the assembly process, keep all parts away form babies or children.
2. Always securely fix this product to the wall.Make sure the wall area to be drilled is free from hidden electrical wires, water and gas pipes.
3. Use of tip-over restraints may only reduce,but not eliminate the risk oftip-over.
4. Unless specially designed to accommodate,do not set heavy objects on top of this product.
5. Place the heaviest items on the lowest shelf.
6. Never allow children to climb or bang on drawers,doors or shelves.

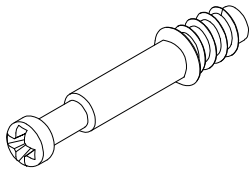
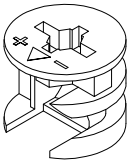
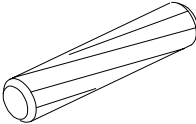
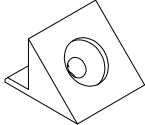
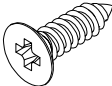
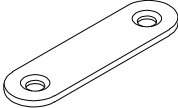
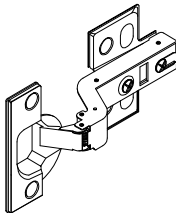
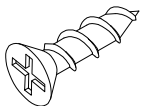
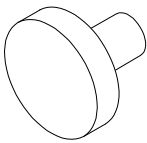

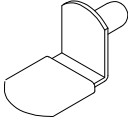
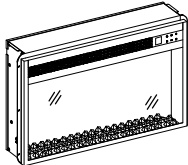
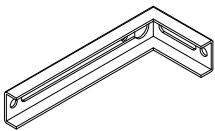
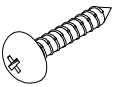
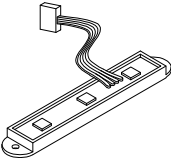
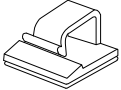
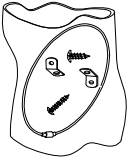
Parts List



Hardware List

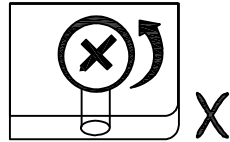
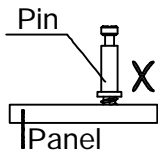
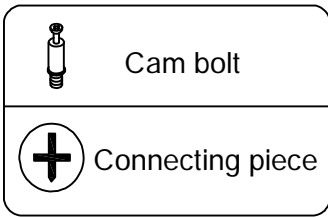


Not provided

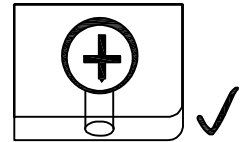
<p>A</p>  <p>Cam bolt 35PCS</p>	<p>B</p>  <p>Cam lock 35PCS</p>	<p>C</p>  <p>Wood dowel 34PCS</p>	<p>D</p>  <p>Bracket 12PCS</p>
<p>E</p>  <p>Flat head screw 16PCS</p>	<p>F</p>  <p>Connecting iron sheet 2PCS</p>	<p>G</p>  <p>Hinge 4PCS</p>	<p>H</p>  <p>Flat head screw 24PCS</p>
<p>I</p>  <p>handle 2PCS</p>	<p>J</p>  <p>Bolt 2PCS</p>	<p>K</p>  <p>Shelf pin 8PCS</p>	<p>L</p>  <p>Heater 1PC</p>
<p>L1</p>  <p>L-Brackets 2PCS</p>	<p>L2</p>  <p>Screws 6PCS</p>	<p>L3</p>  <p>LED light bars 2PCS</p>	<p>L4</p>  <p>Hook 2PCS</p>
<p>M</p>  <p>Prevent from toppling 2PCS</p>			

Assembly Steps

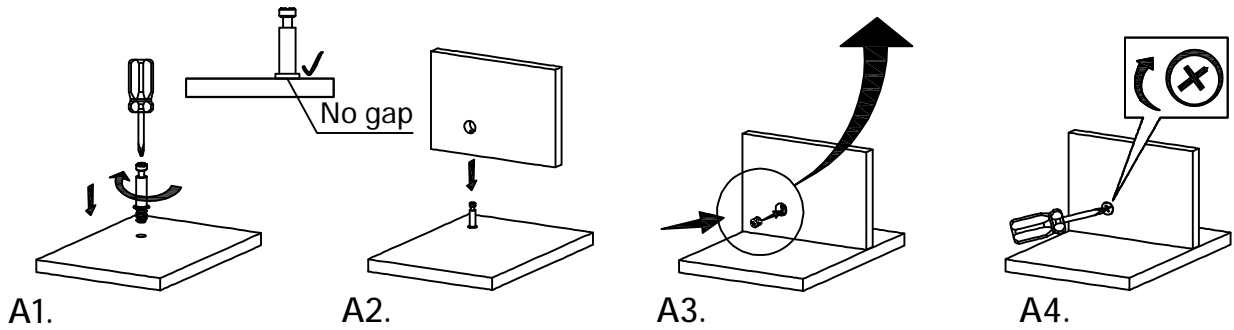
CAM BOLT INSTALLATION AS BELOW:



Rotate connecting piece if found in the position illustrated above.

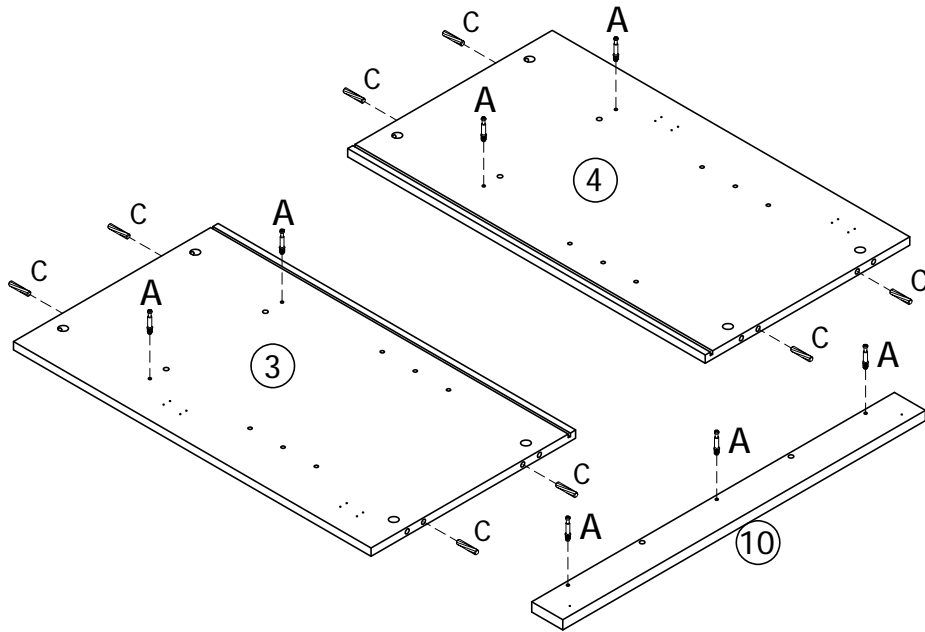



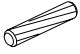
Correct orientation to receive bolts.

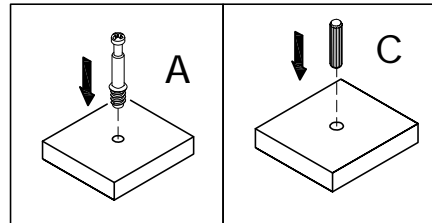


Assembly

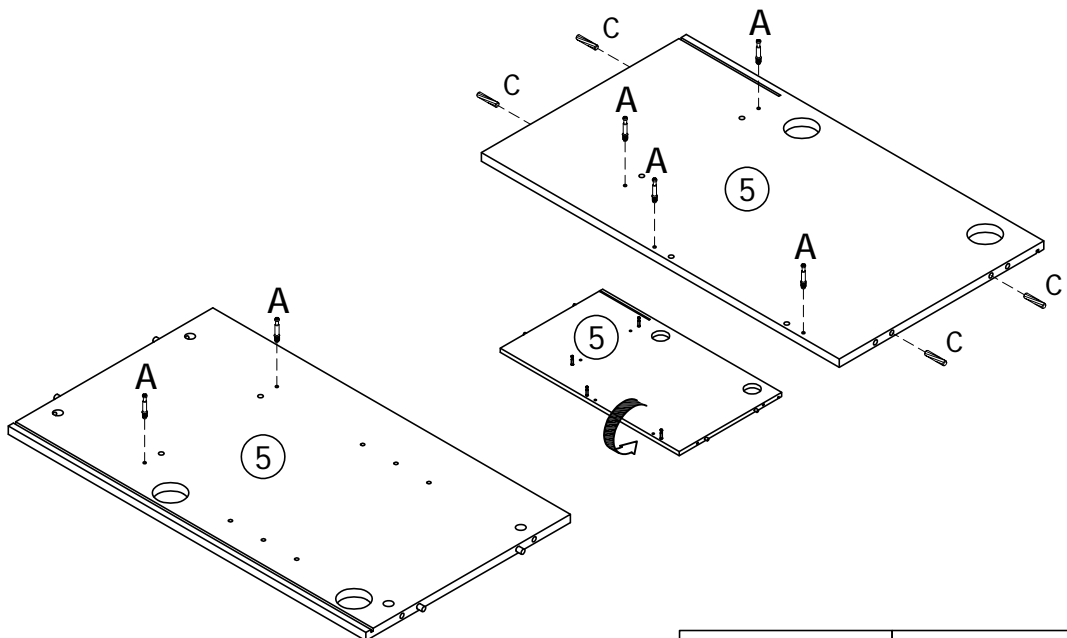
STEP 1


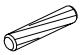


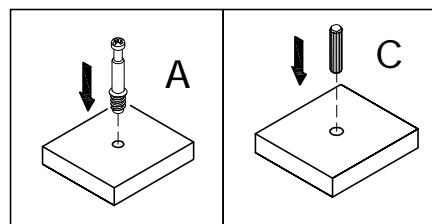
	Cam bolt	7PCS
	Wood dowel	8PCS



STEP 2

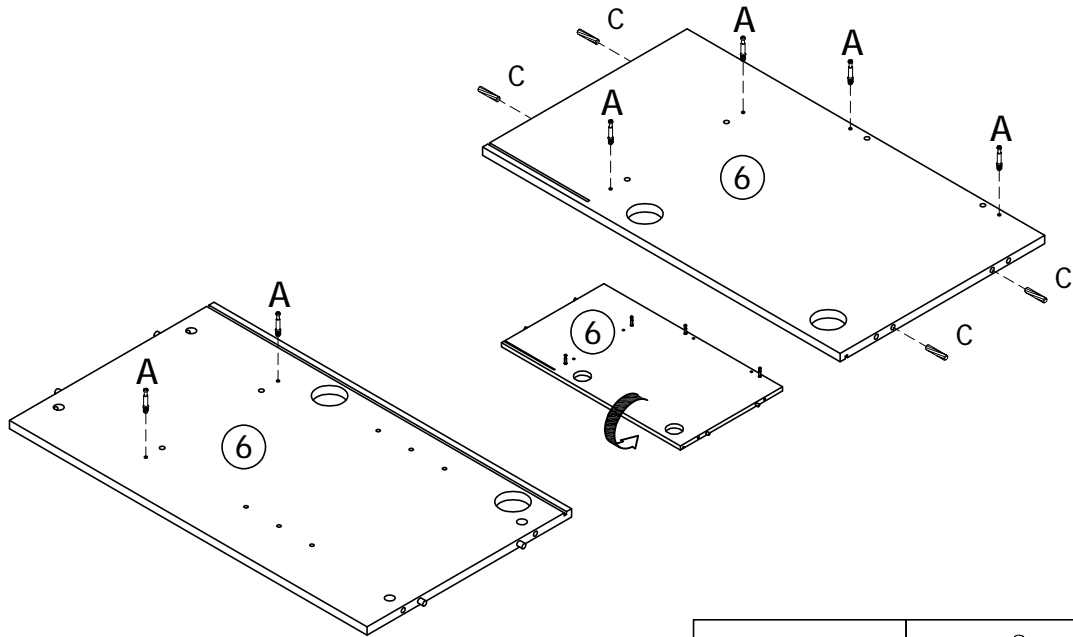



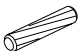
	Cam bolt	6PCS
	Wood dowel	4PCS

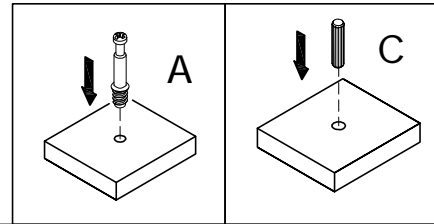


Assembly

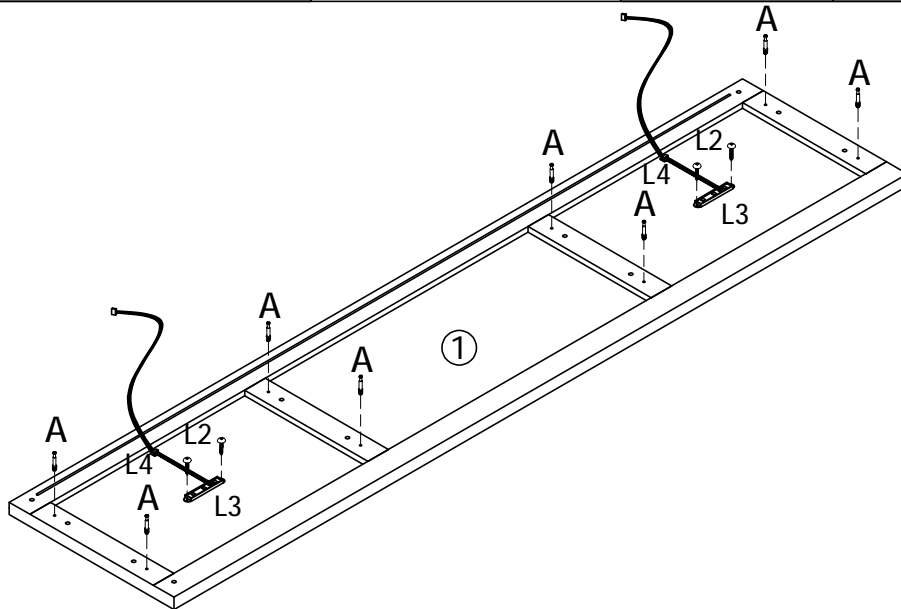
STEP 3







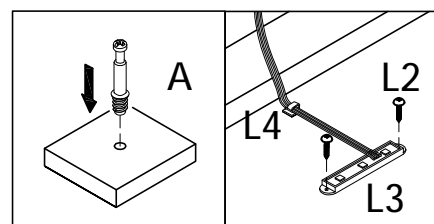
	Cam bolt	6PCS
	Wood dowel	4PCS



STEP 4

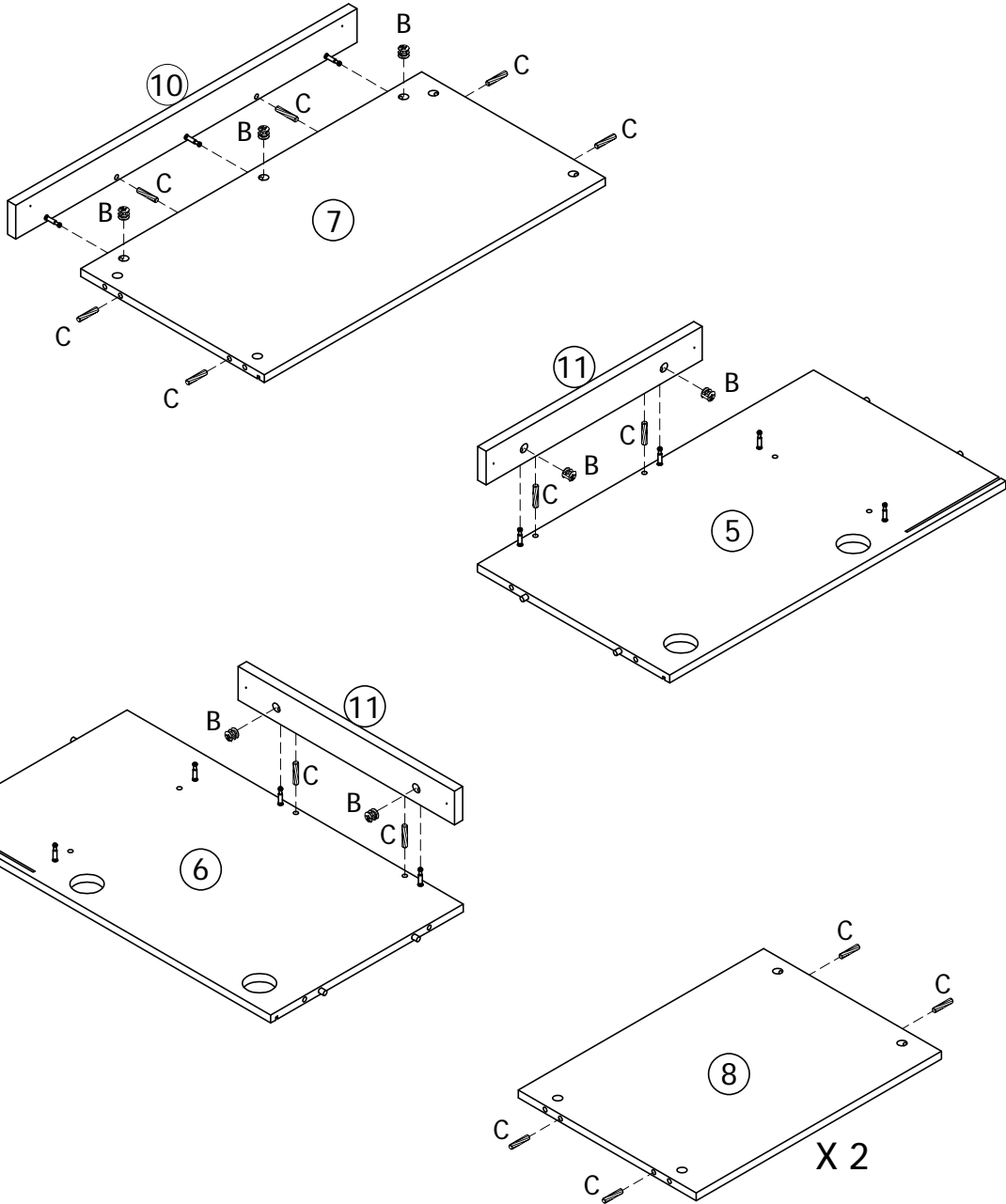



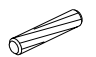
	Screws	2PCS
	LED light bars	2PCS
	Hook	2PCS
	Cam bolt	8PCS

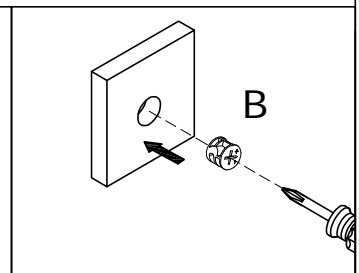
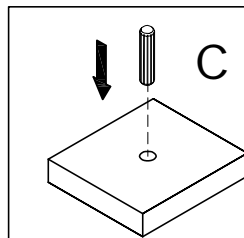


Assembly

STEP 5

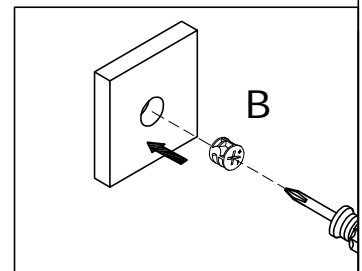
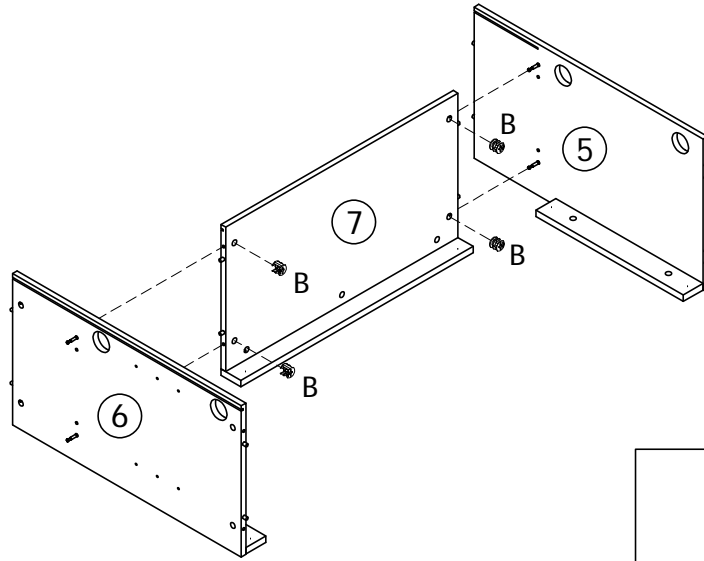


	Cam lock	7PCS
	Wood dowel	18PCS



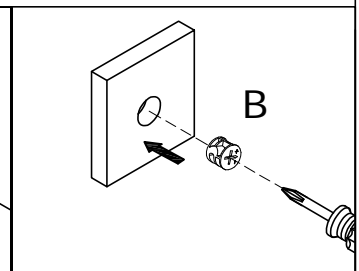
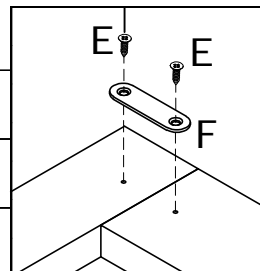
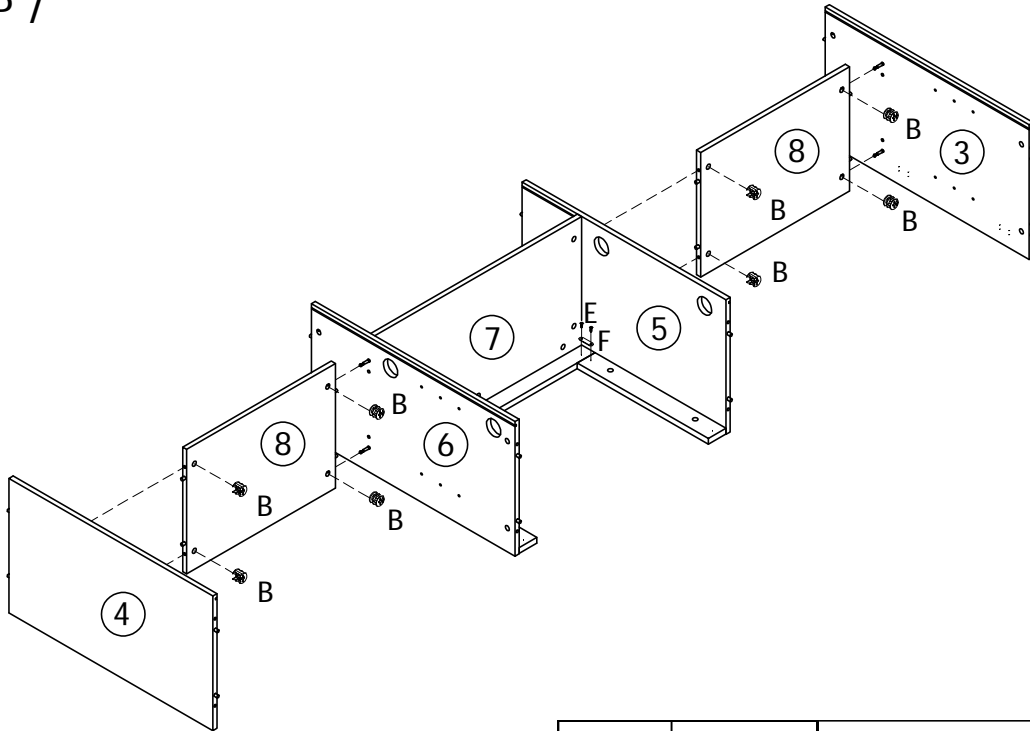
Assembly

STEP 6



Cam lock 4PCS

STEP 7



Cam lock 8PCS



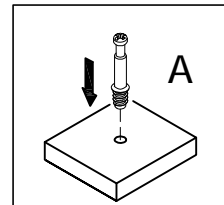
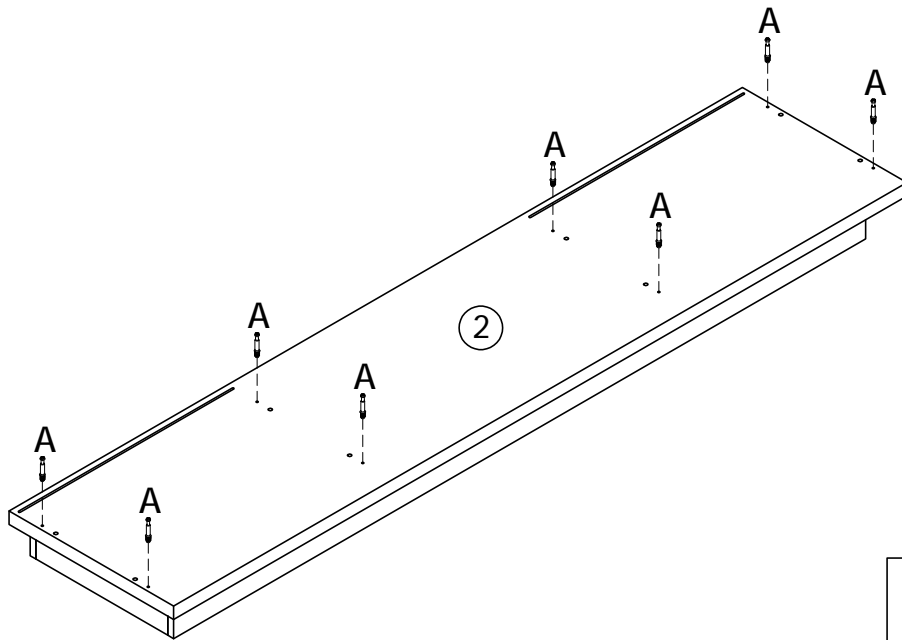
Connecting iron sheet 2PCS



Flat head screw 4PCS

Assembly

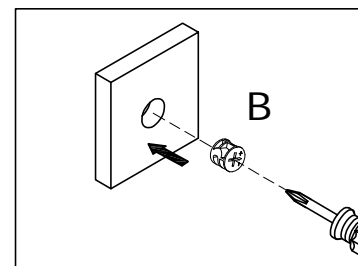
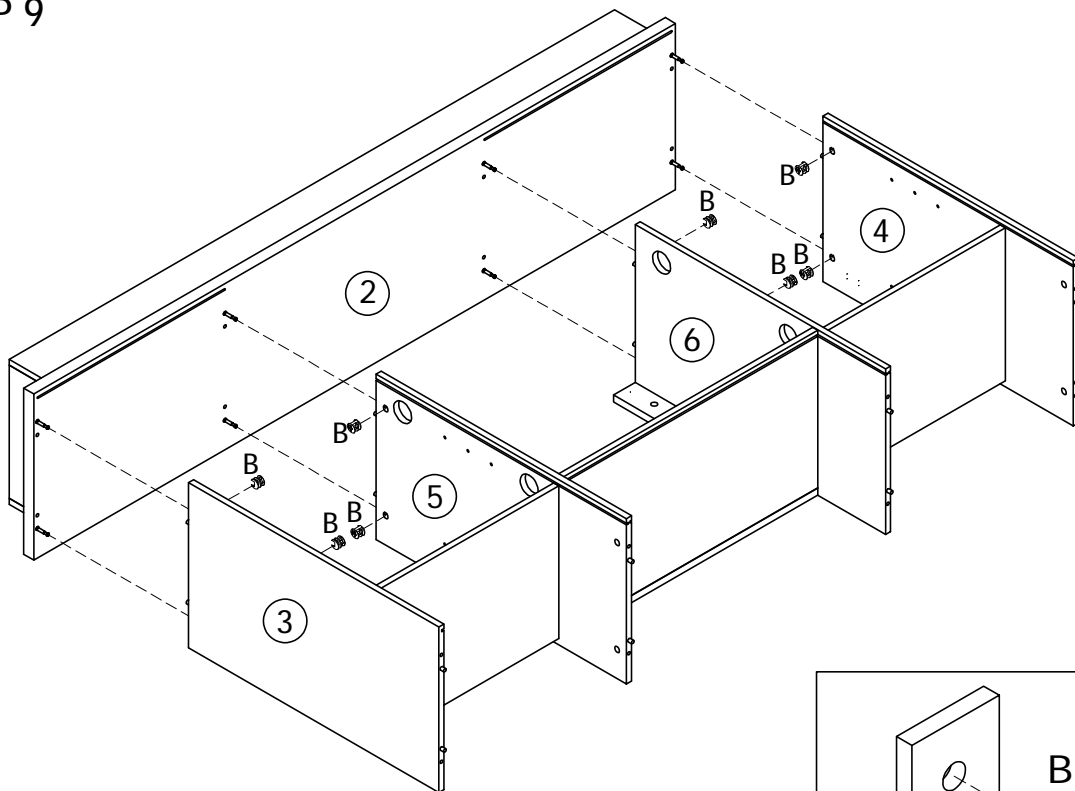
STEP 8



Cam bolt

8PCS

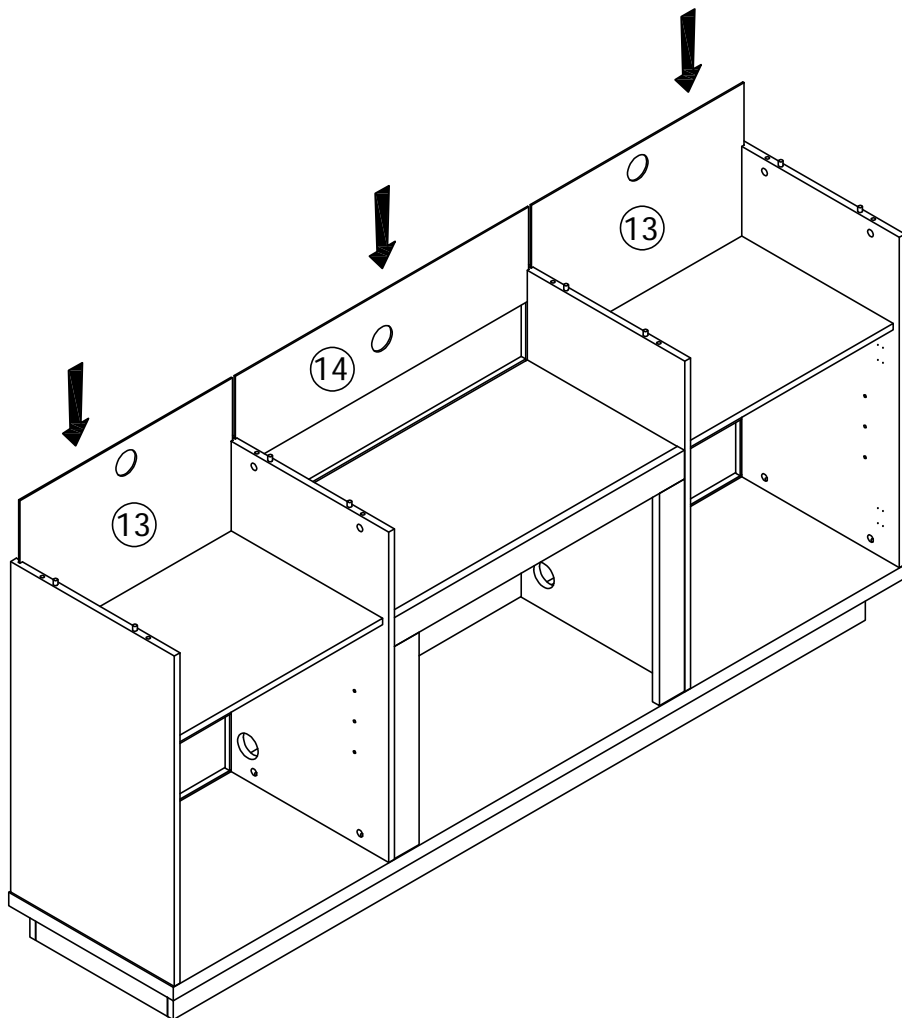
STEP 9



Cam lock 8PCS

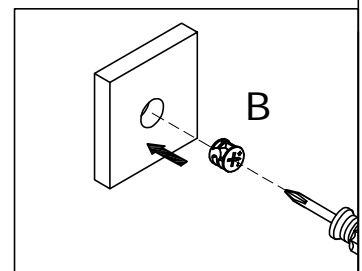
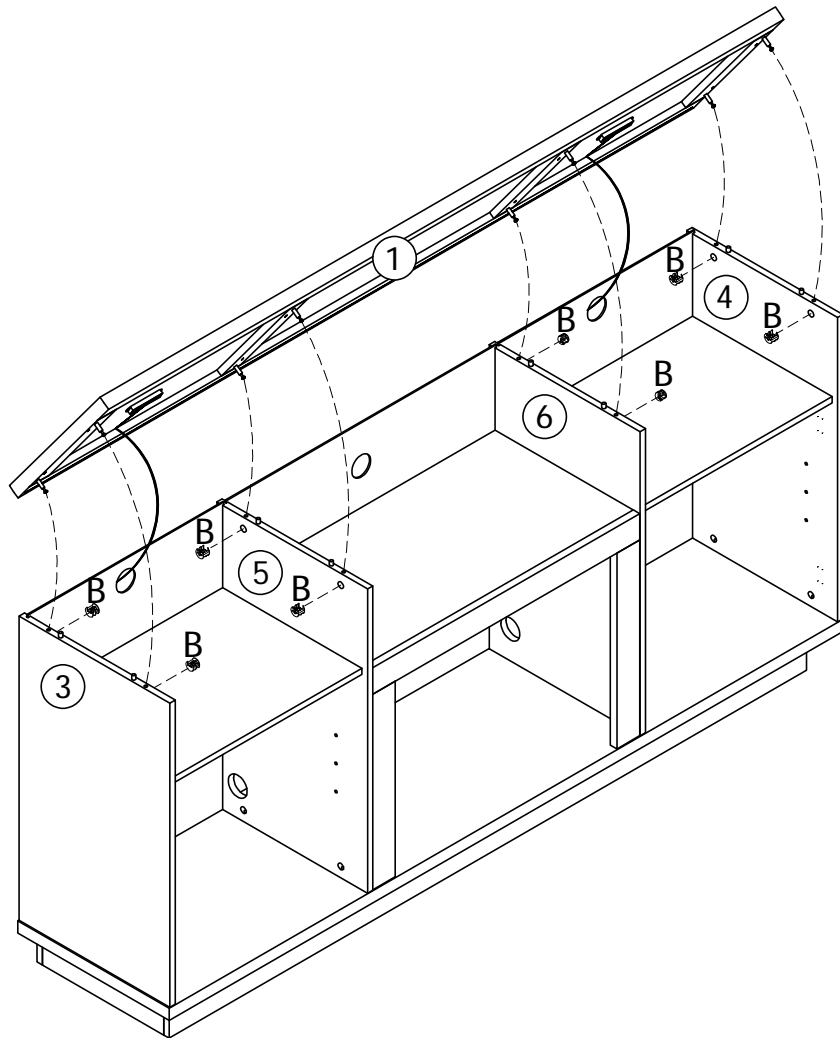
Assembly

STEP 10



Assembly

STEP 11

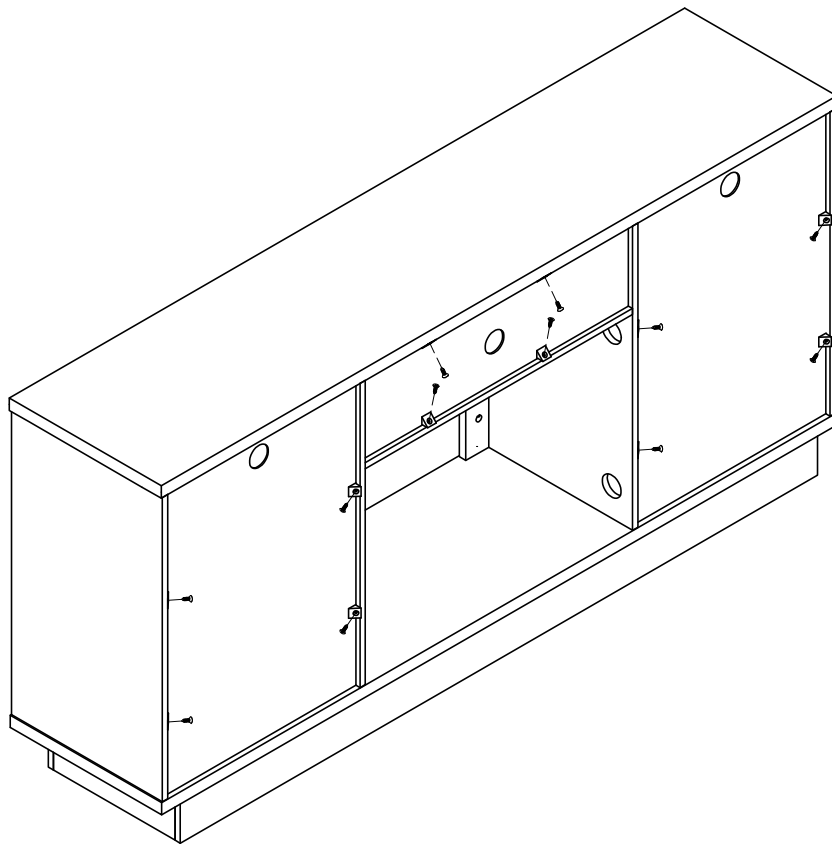




Cam lock

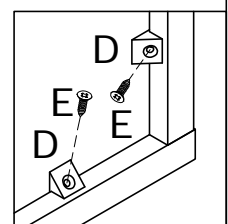
8PCS

Assembly

STEP 12

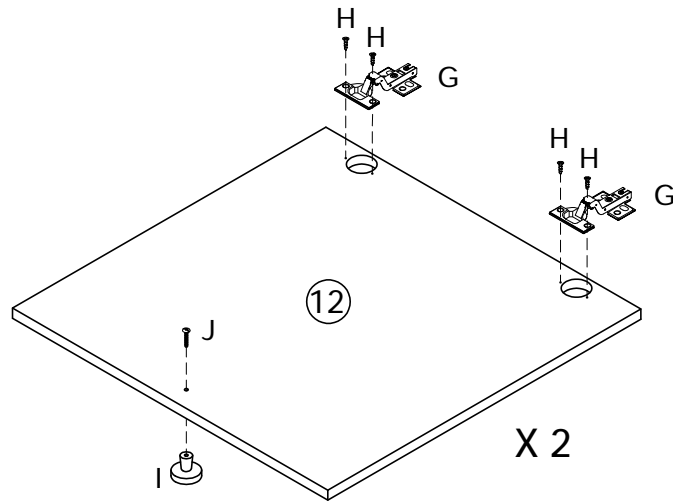





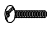
	Flat head screw 12PCS
	Bracket 12PCS

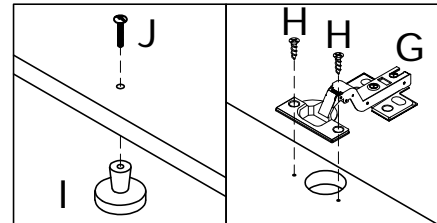


Assembly

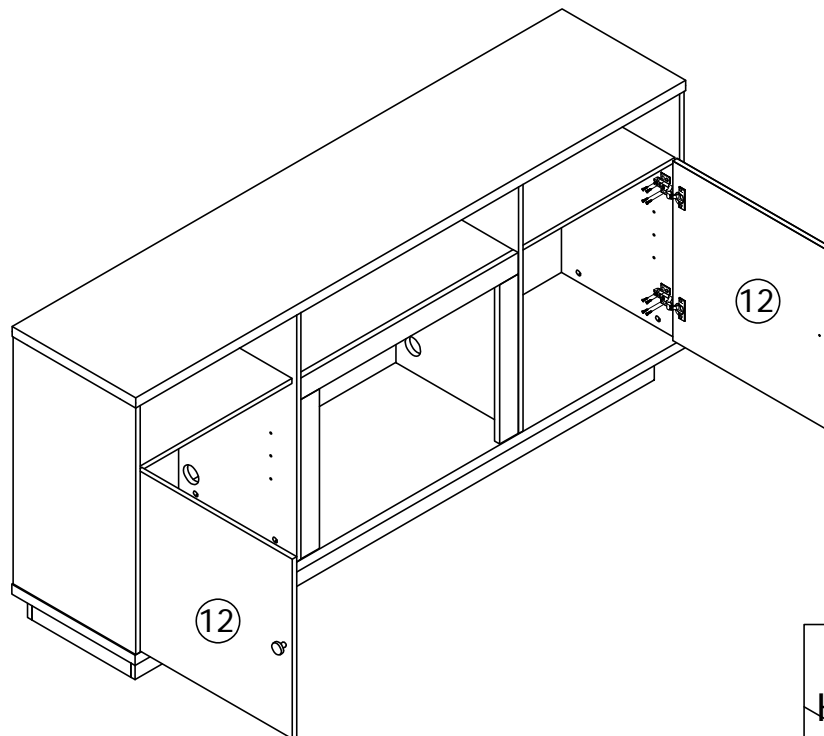
STEP 13




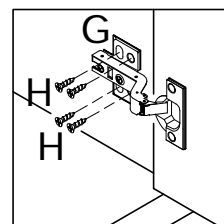
	Hinge	4PCS
	Flat head screw	8PCS
	handle	2PCS
	Bolt	2PCS



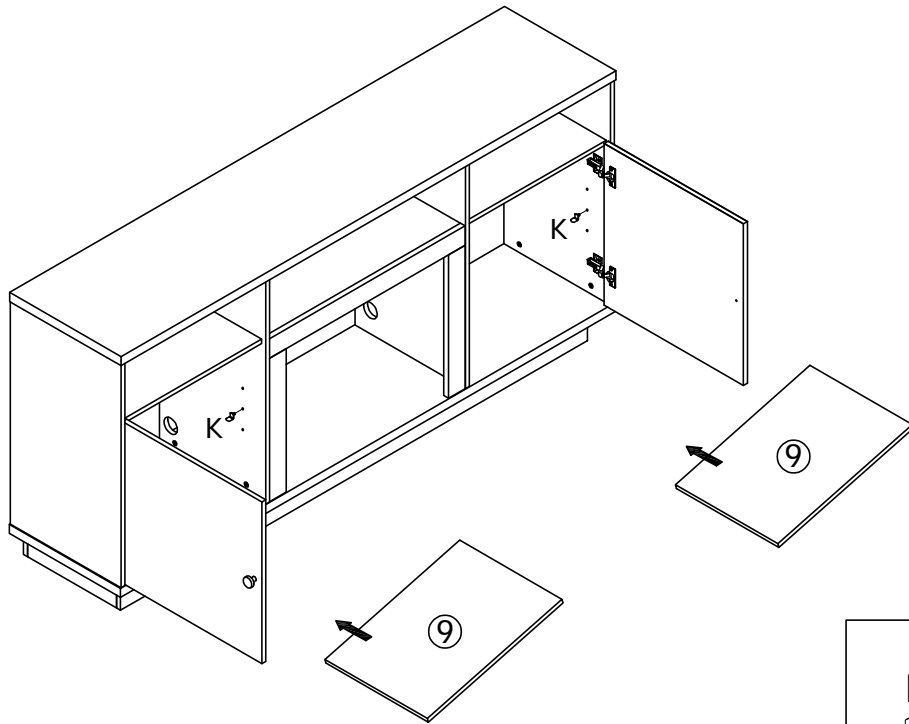
STEP 14



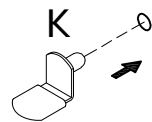
	Flat head screw	16PCS
---	-----------------	-------



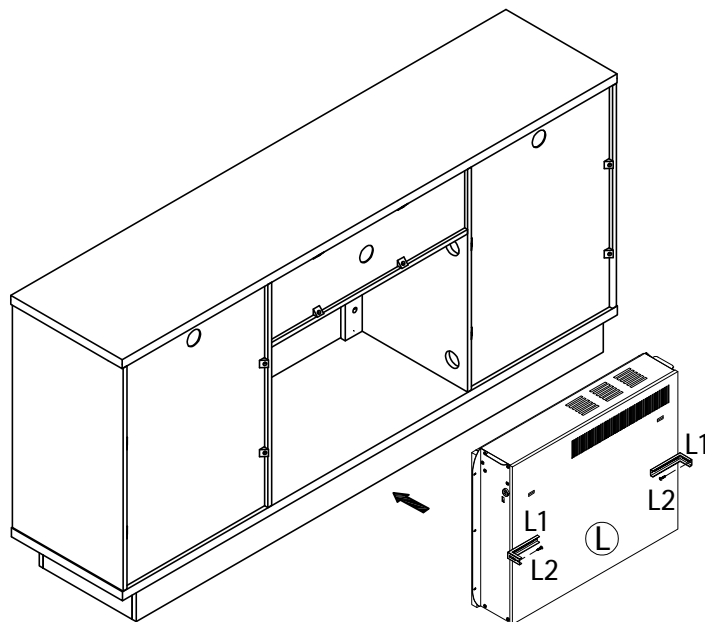
STEP 15



Shelf pin 8PCS



STEP 16



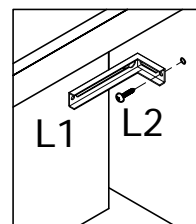
Heater 1PC



L-Brackets 2PCS

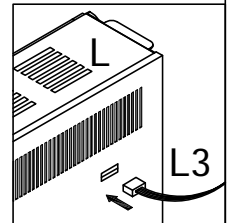
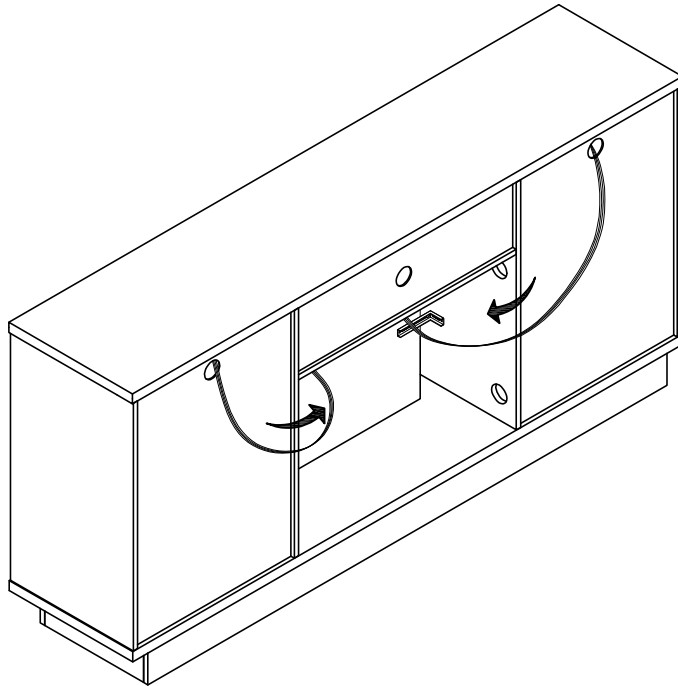


Screws 2PCS

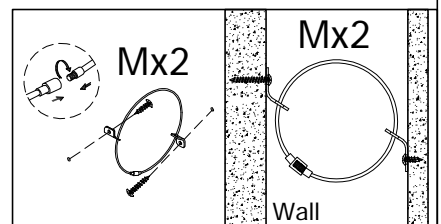
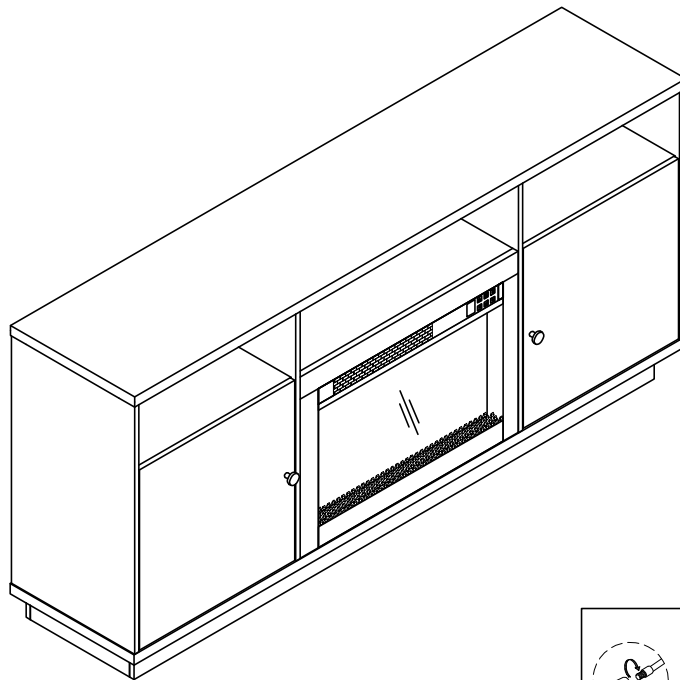


Assembly

STEP 17



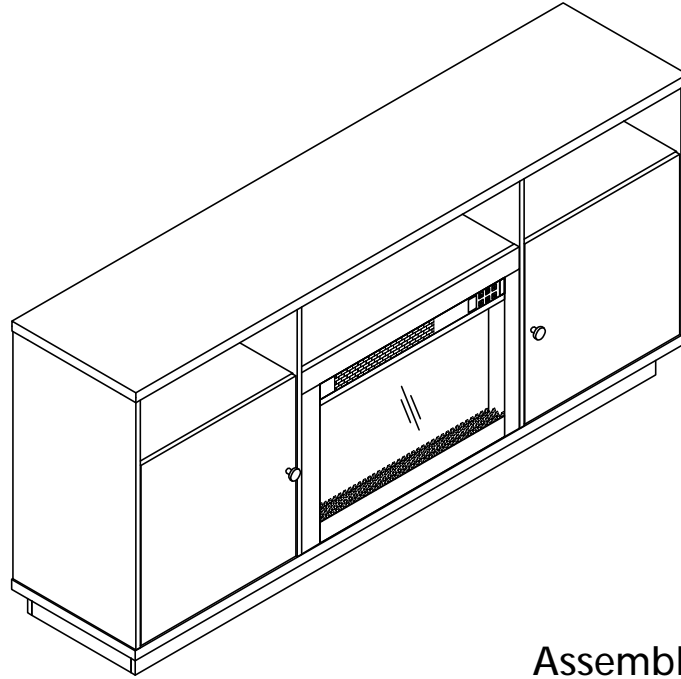
STEP 18



Prevent from toppling 2PCS

Assembly

STEP 19



Assembly Complete