

ASSEMBLY INSTRUCTIONS



Fine Furniture for every stage of life

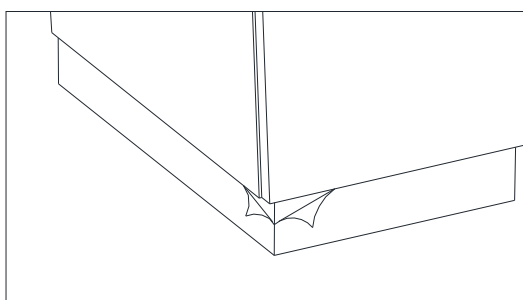
Nightstand

REVISION 0 : 05/27/2014
REVISION 1 : 07/26/2019

PAGE 1 OF 2

ASSEMBLY INSTRUCTIONS

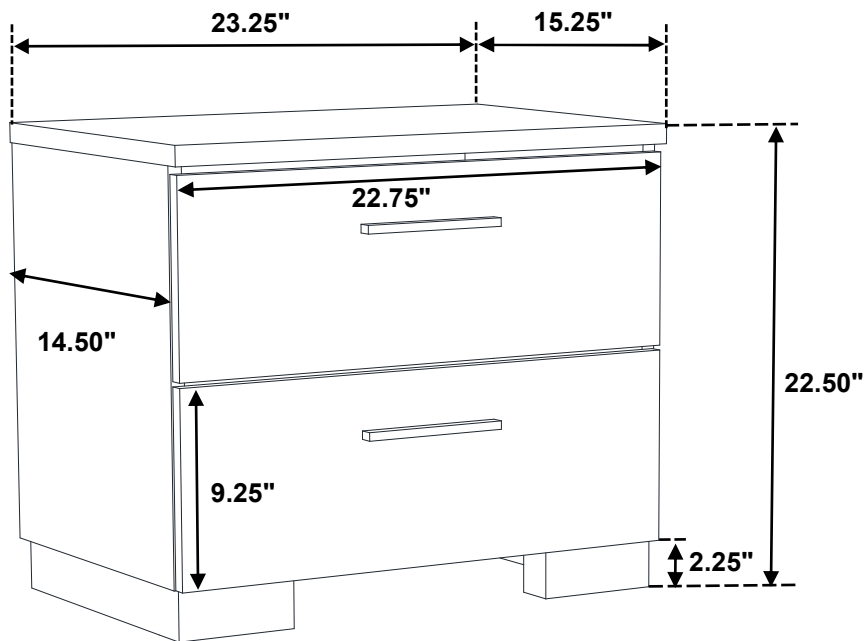
REMOVAL OF PROTECTIVE FILM



**PLEASE REMOVE THE
PROTECTIVE FILM
BEFORE USE**



Inner Size of Drawer : 20.00"W x 12.50"D x 5.00"H x 0.25"T



Note : Dimension tolerance $\pm 5\%$

ASSEMBLY INSTRUCTIONS



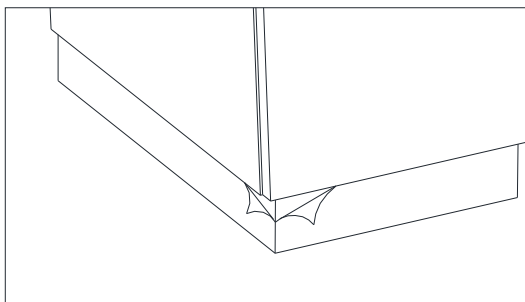
Fine Furniture for every stage of life

Dresser

REVISION 0 : 05/16/2014
REVISION 1 : 05/27/2014
REVISION 2 : 07/26/2019

ASSEMBLY INSTRUCTIONS

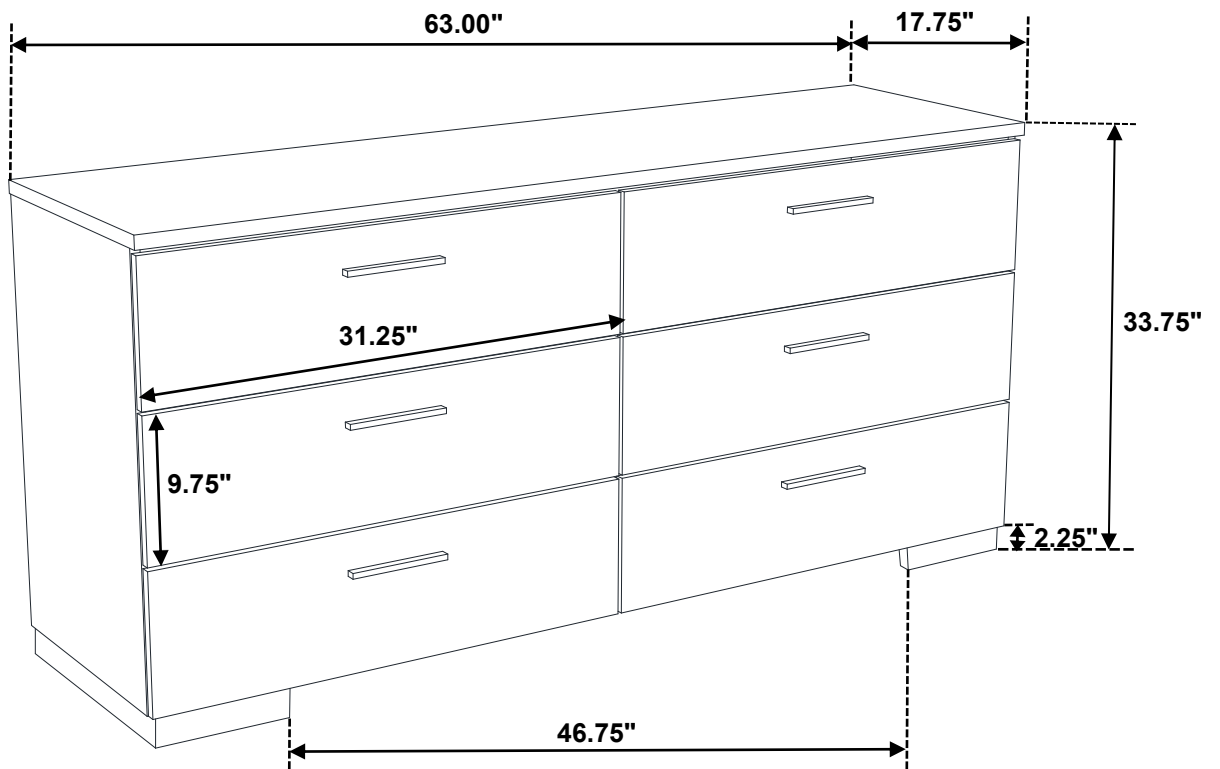
REMOVAL OF PROTECTIVE FILM



**PLEASE REMOVE THE
PROTECTIVE FILM
BEFORE USE**



Inner Size of Drawer : 28.75"W x 12.50"D x 5.00"H x 0.25"T



Note : Dimension tolerance $\pm 5\%$

ASSEMBLY INSTRUCTIONS



Fine Furniture for every stage of life

Mirror

REVISION 0 : 05/16/2014
REVISION 1 : 02/09/2017
REVISION 2 : 07/25/2019

PAGE 1 OF 4

ASSEMBLY INSTRUCTIONS

ASSEMBLY TIPS:

1. Remove hardware from box and sort by size.
2. Please check to see that all hardware and parts are present prior to start of assembly.
3. Please follow attached instructions in the same sequence as numbered to assure fast & easy assembly.



WARNING!

1. Don't attempt to repair or modify parts that are broken or defective. Please contact the store immediately.
2. This product is for home use only and not intended for commercial establishments.



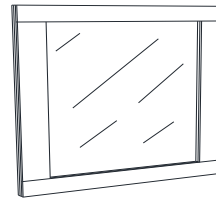
ASSEMBLY TIME

5 MINUTES

PARTS IDENTIFICATION

A

MIRROR



1PC

B

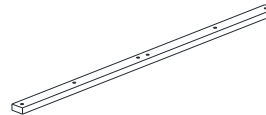
DRESSER



1PC

C

MIRROR SUPPORT
(PACK WITH DRESSER)



2PCS

HARDWARE IDENTIFICATION

1

FLAT HEAD SCREW
(M4 x 32mm - RBW)



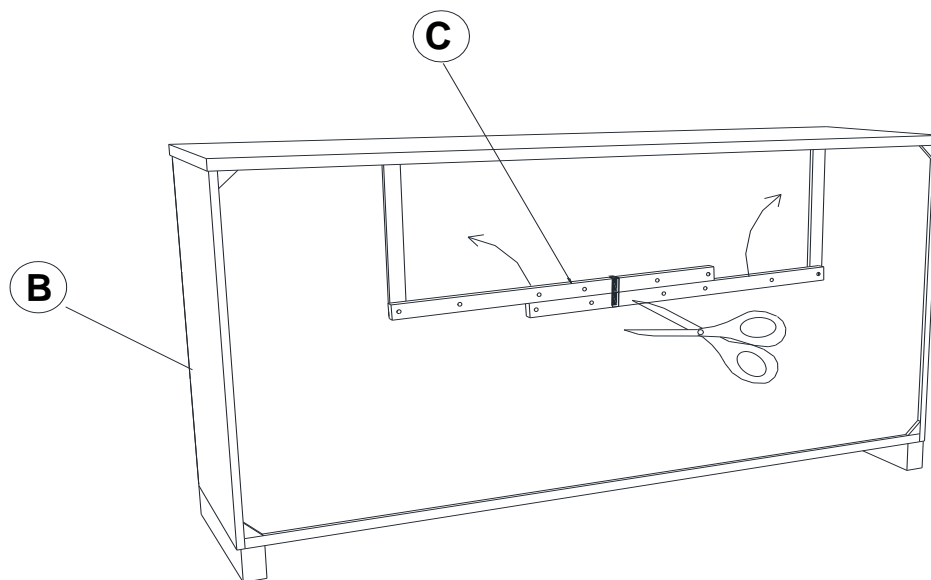
10PCS

NOTE:

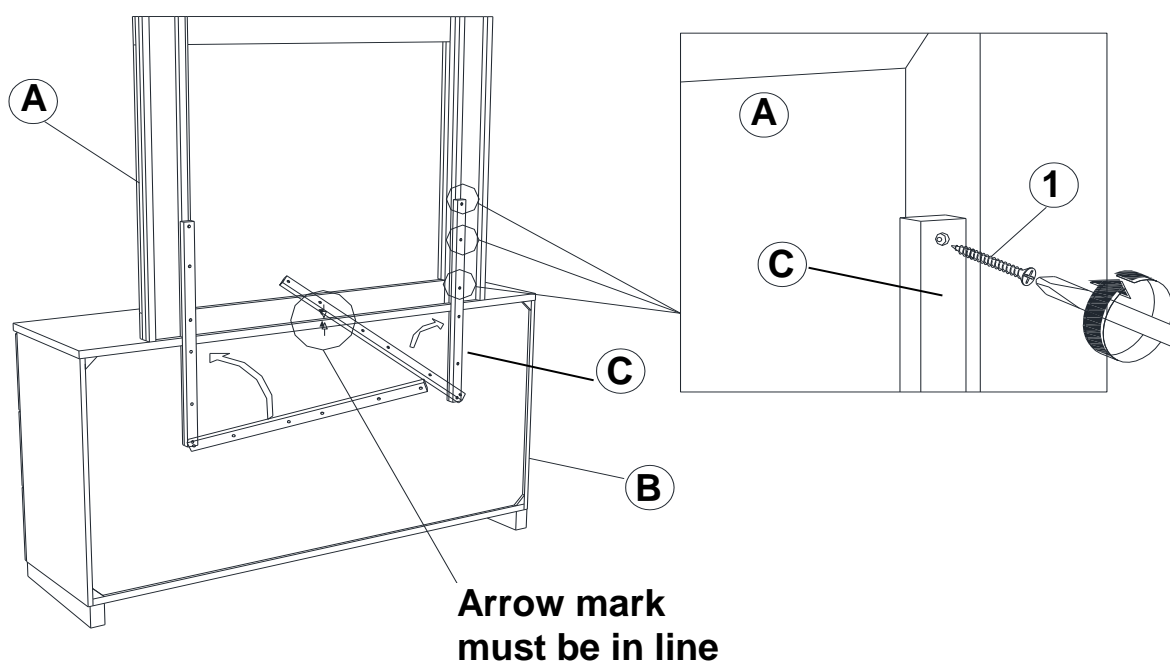
Phillips head screw driver is required in the assembly process; however, manufacturer does not provide this item.

ASSEMBLY INSTRUCTIONS

STEP 1



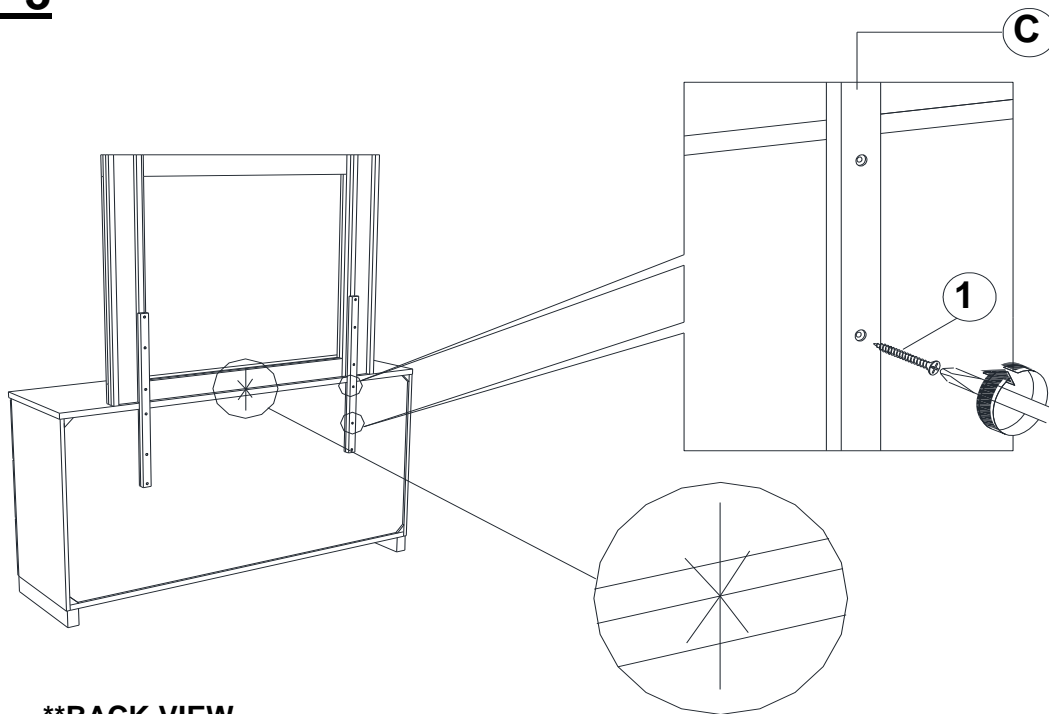
STEP 2



****BACK VIEW**

ASSEMBLY INSTRUCTIONS

STEP 3

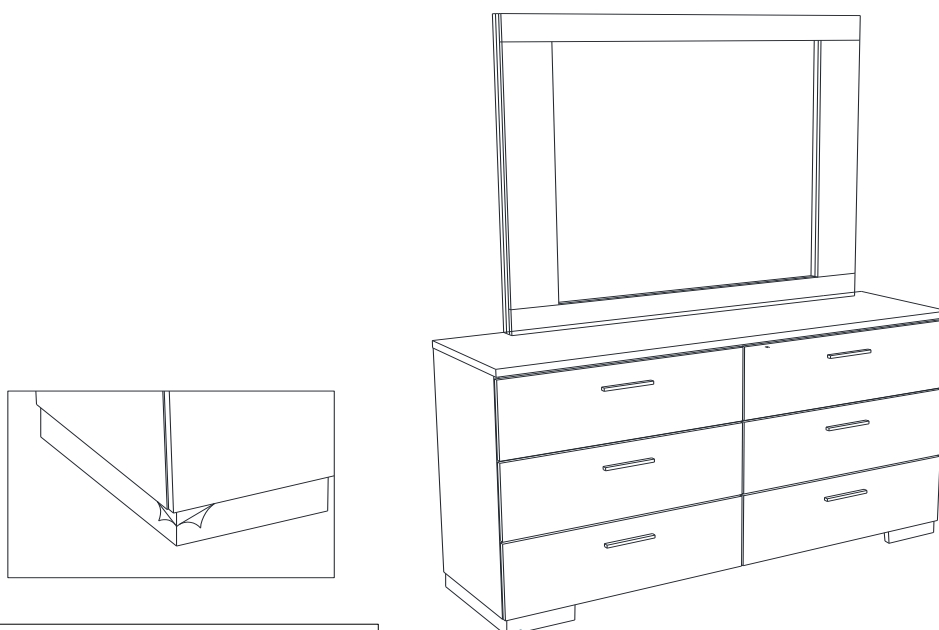


****BACK VIEW**

Arrow Marking Must Be Aligned

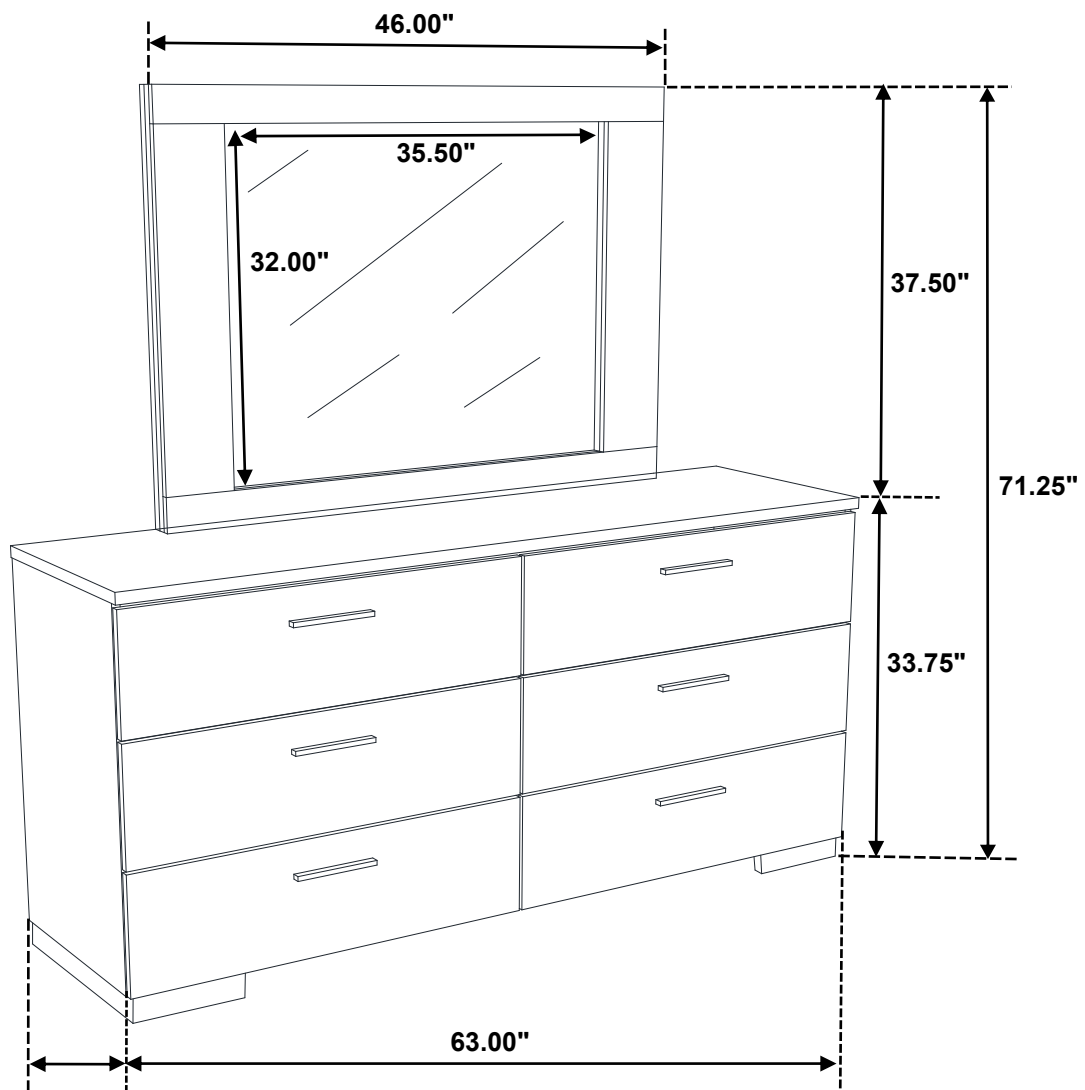
STEP 4

COMPLETE



PLEASE REMOVE THE PROTECTIVE FILM BEFORE USE





Note : Dimension tolerance $\pm 5\%$

ASSEMBLY INSTRUCTIONS



Fine Furniture for every stage of life

Full Bed

ASSEMBLY INSTRUCTIONS

ASSEMBLY TIPS:

1. Remove hardware from box and sort by size.
2. Please check to see that all hardware and parts are present prior to start of assembly.
3. Please follow attached instructions in the same sequence as numbered to assure fast & easy assembly.



WARNING!

1. Don't attempt to repair or modify parts that are broken or defective. Please contact the store immediately.
2. This product is for home use only and not intended for commercial establishments.



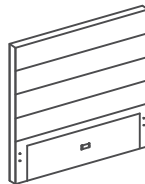
ASSEMBLY TIME

20 MINUTES

PARTS IDENTIFICATION

B1 (BOX 1)

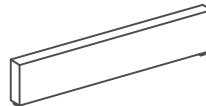
A HEADBOARD



1PC

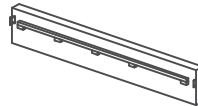
B2 (BOX 2)

B FOOTBOARD



1PC

C BED RAIL



2PCS

D BED SLAT



26PCS

E BED SLAT SUPPORT



2PCS

F CENTER RAIL



1PC

G BED SLAT
CENTER HOLDER



13PCS

H BED SLAT
END HOLDER



26PCS

NOTE:

Phillips head screw driver is required in the assembly process; however, manufacturer does not provide this item.

ASSEMBLY INSTRUCTIONS

ASSEMBLY TIPS:

1. Remove hardware from box and sort by size.
2. Please check to see that all hardware and parts are present prior to start of assembly.
3. Please follow attached instructions in the same sequence as numbered to assure fast & easy assembly.








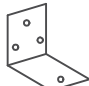


WARNING!

1. Don't attempt to repair or modify parts that are broken or defective. Please contact the store immediately.
2. This product is for home use only and not intended for commercial establishments.

HARDWARE IDENTIFICATION

BOX 2 - HARDWARE PACK

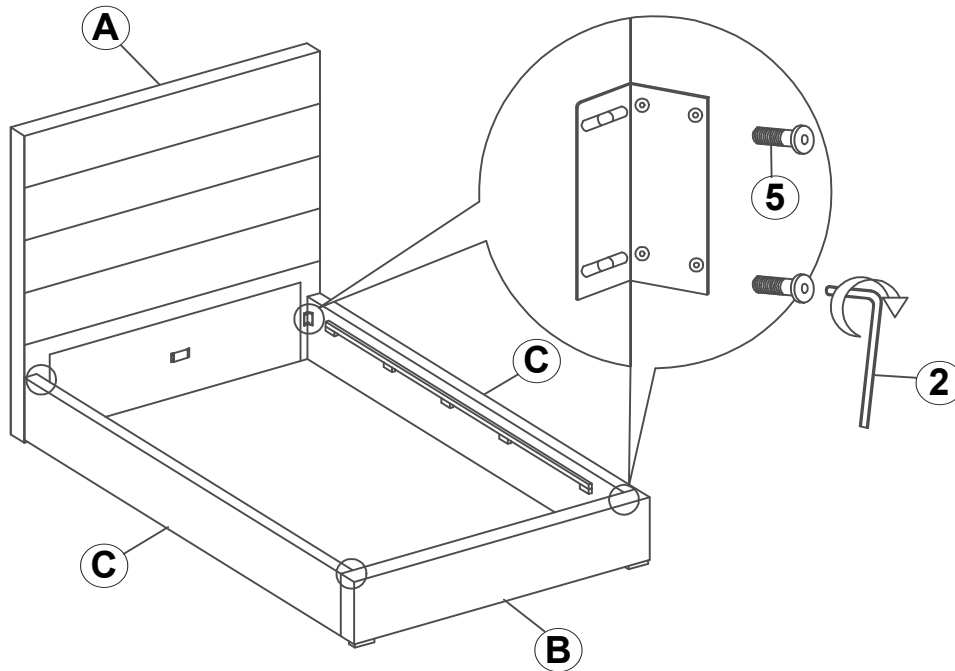
1	SMALL ALLEN WRENCH (M4 x 65mm - BLK)		1PC
2	BIG ALLEN WRENCH (M5 x 70mm - BLK)		1PC
3	SHORT FLAT HEAD SCREW (M3.5 x 16mm - RBW)		6PCS
4	LONG FLAT HEAD SCREW (M4 x 25mm - RBW)		2PCS
5	SHORT BOLT (M8 x 30mm - BLK)		8PCS
6	LONG BOLT (M6 x 40mm - BLK)		2PCS
7	LEVELER		2PCS
8	METAL BRACKET		2PCS

NOTE:

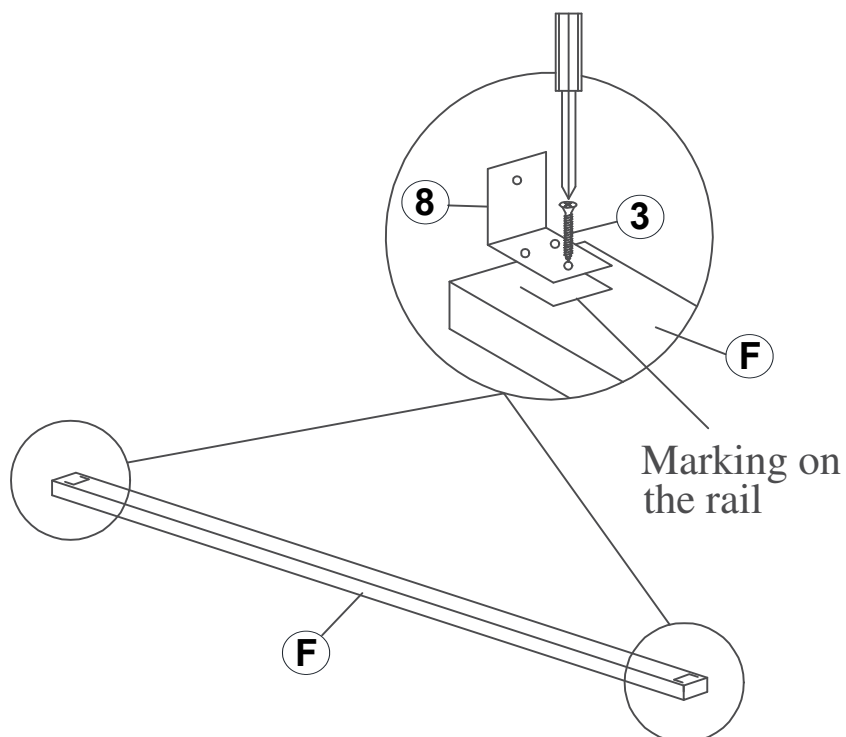
Phillips head screw driver is required in the assembly process; however, manufacturer does not provide this item.

ASSEMBLY INSTRUCTIONS

STEP 1



STEP 2



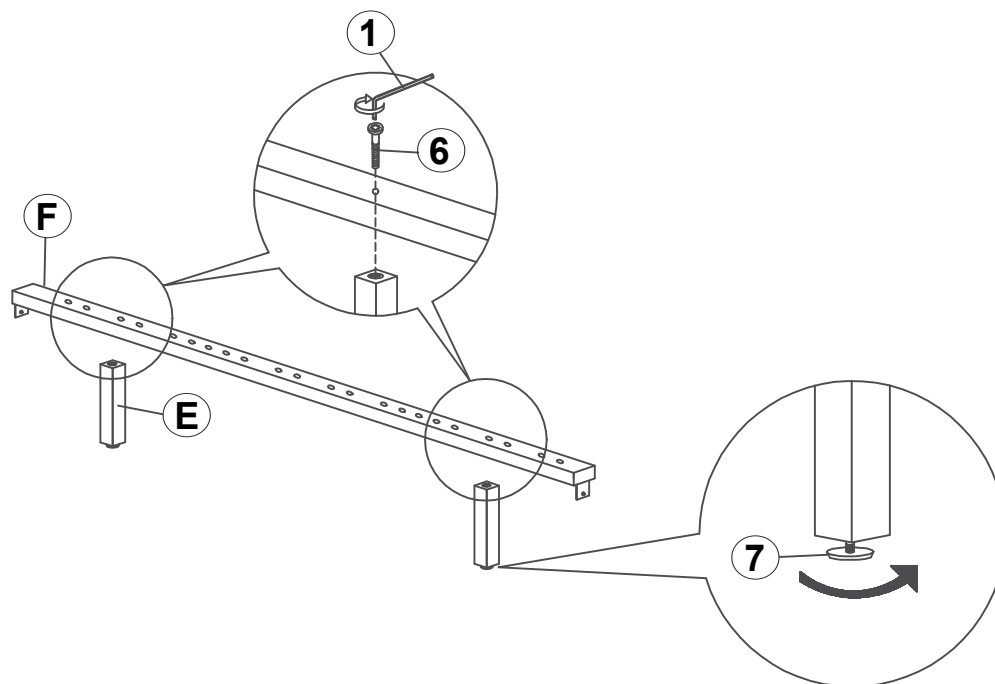
****BACK VIEW****

ASSEMBLY INSTRUCTIONS

STEP 3

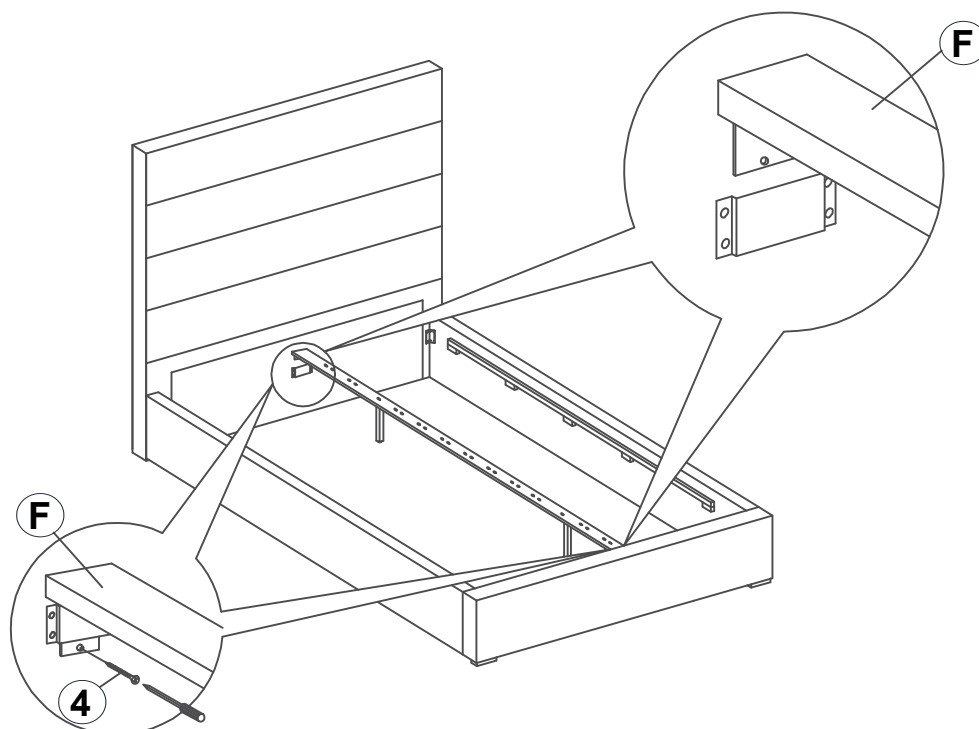
ATTENTION:

Please keep the leveler around 5 to 8 mm distance away from the floor.



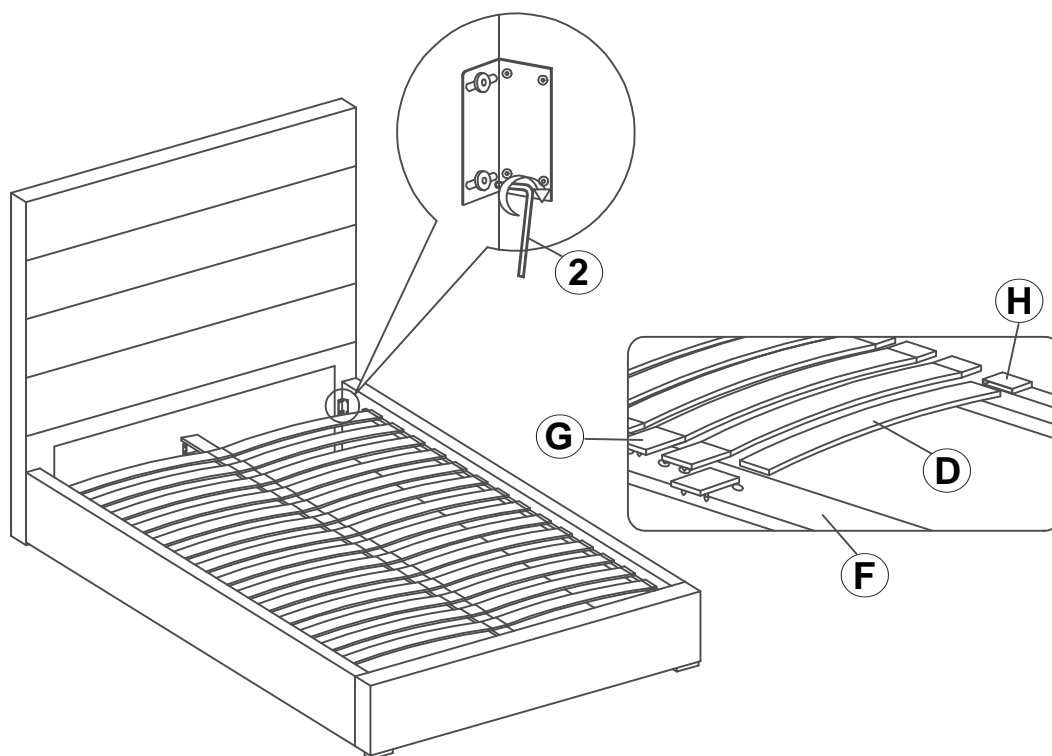
STEP 4

Please ensure that (4) screw is being attached as shown to avoid the base being collapse.

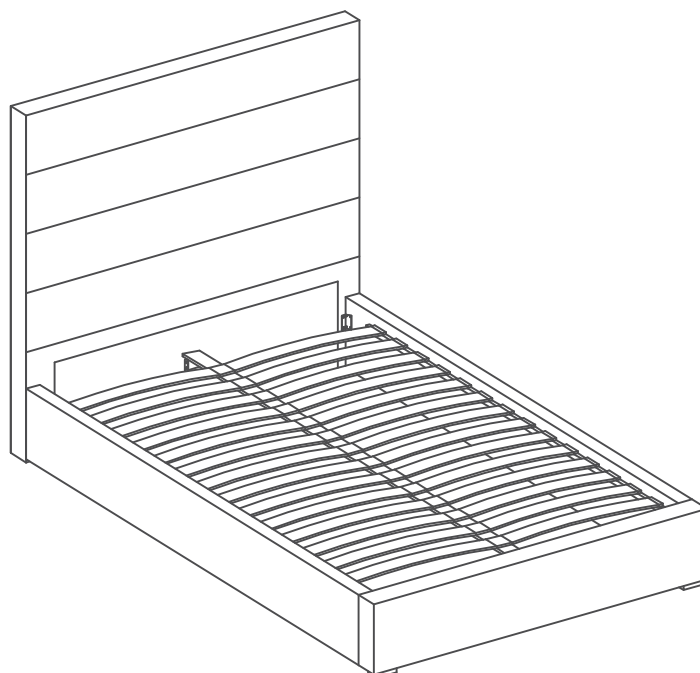


ASSEMBLY INSTRUCTIONS

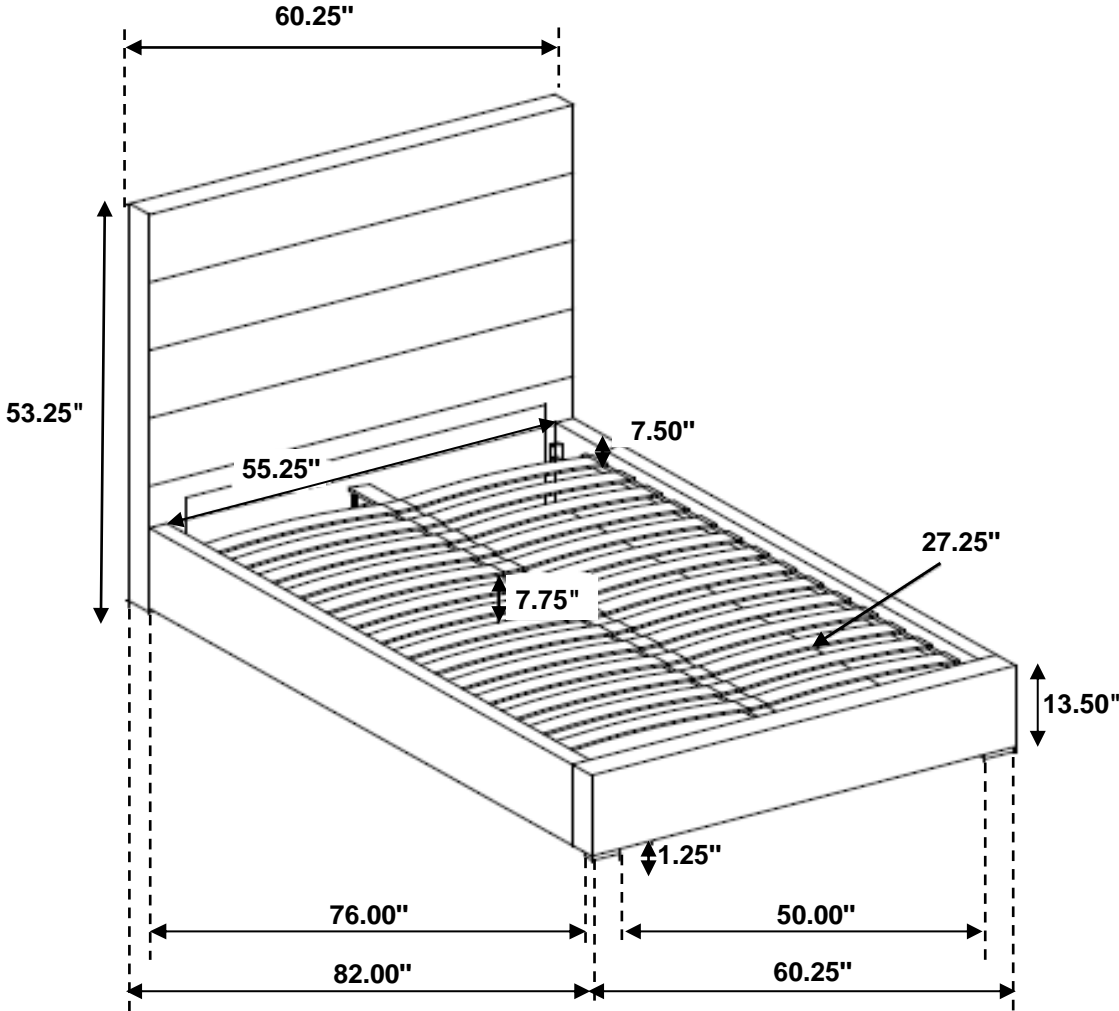
STEP 5



STEP 6 COMPLETE



Inner Size : 55.25"W X 76.00"D



Note: Dimension tolerance $\pm 5\%$