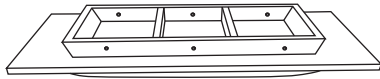


Walnut & Beige finish upholstered Bench

ASSEMBLY INSTRUCTIONS

BOX COMPONENTS

(A)



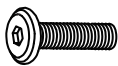
Top Structure | 1 piece

(B)



Legs | 2 pieces

(C)



Allen Bolt | 6 x 30 mm
6 pieces

(D)



Lock Washer | 8 x 20 mm
6 pieces

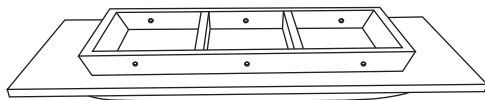
(E)



Allen Key | 4 mm
1 pieces

FOLLOW THE GIVEN STEP-BY-STEP PROCESS TO ASSEMBLE

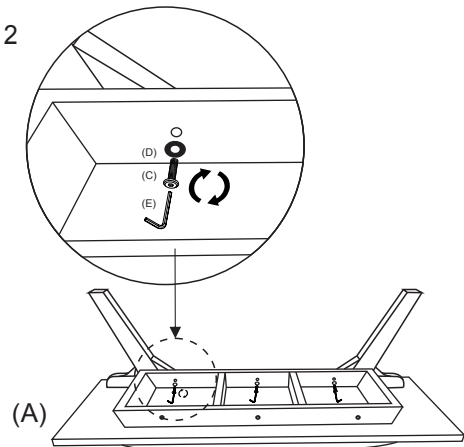
STEP 1



(A)

Place the top structure (A) upside down on a clean, flat surface.

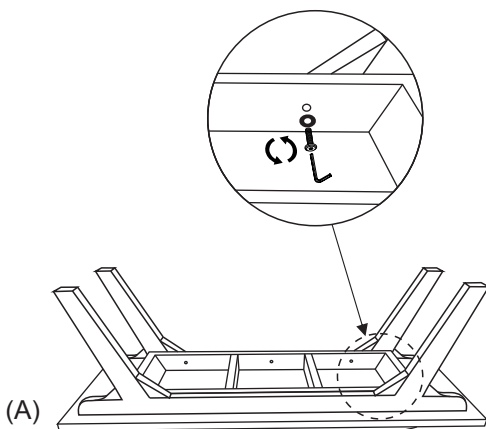
STEP 2



(A)

Attach the leg to the top structure with (C) & (D), using (E), as shown in the image.

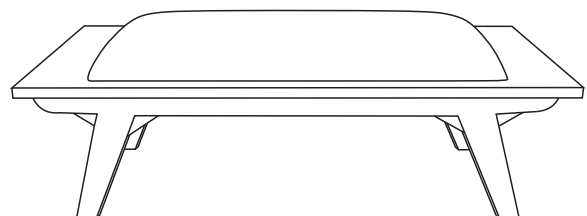
STEP 3



(A)

Repeat step 2 for the other leg.

STEP 4



Flip the bench & it's ready to use.

⚠ Ensure that the screws are not over-tightened, to avoid damage.