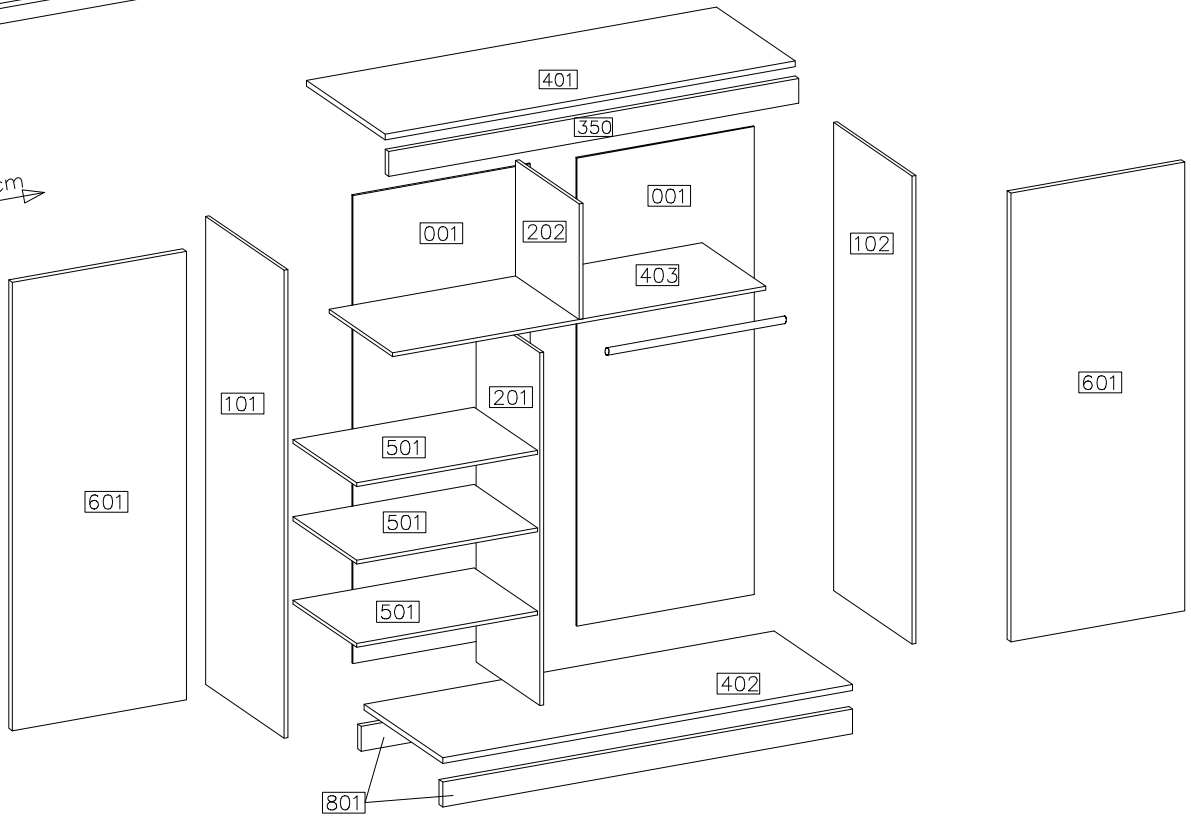
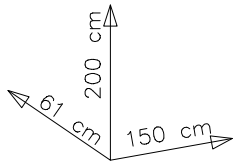
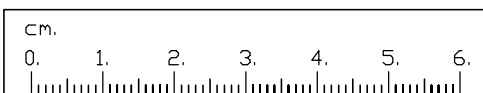


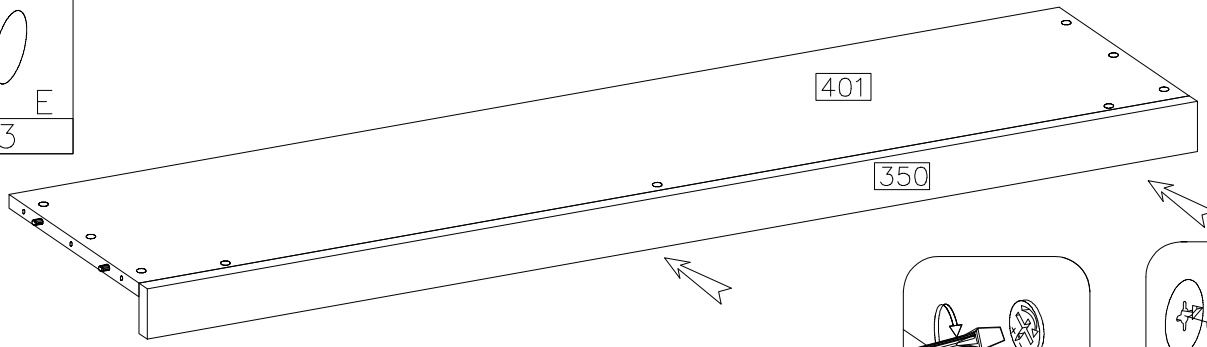
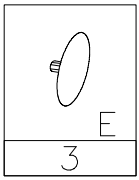
| # | ART. NR | QUANTITY |
|----|---------|----------|
| 1 | 401 | 1 |
| 2 | 402 | 1 |
| 3 | 403 | 1 |
| 4 | 101 | 1 |
| 5 | 102 | 1 |
| 6 | 201 | 1 |
| 7 | 202 | 1 |
| 8 | 350 | 1 |
| 9 | 001 | 2 |
| 10 | 801 | 2 |
| 11 | 501 | 3 |
| 12 | 601 | 2 |
| | | |
| | | |
| | | |
| | | |
| | | |
| | | |
| | | |
| | | |



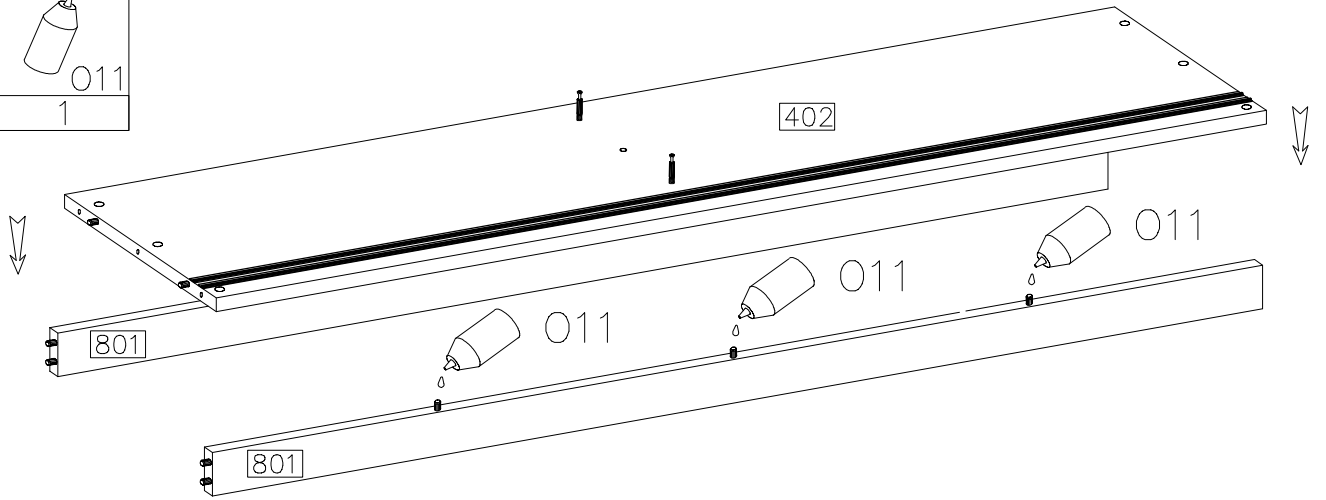
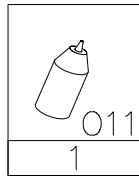
| | | | | | | | | | |
|-----|--------------------------------|-----|--------------------------------------|---|-----------------------------|-----|----|-----------------------------|----|
| D1 | $\varnothing 15/12\text{mm}$ C | E | $\varnothing 8 \times 30\text{mm}$ A | $\varnothing 4.0 \times 16\text{mm}$ P1 | S1 | O12 | L5 | K5 | K6 |
| 27 | 27 | 27 | 28 | 28 | 2 | 1 | 4 | 4 | 4 |
| F10 | F1 | O13 | J4 | $3.0 \times 13\text{mm}$ P3 | $3.5 \times 13\text{mm}$ P2 | O11 | F8 | $4.0 \times 27\text{mm}$ R2 | |
| 60 | 10 | 2 | 12 | 16 | 8 | 1 | 10 | 4 | |



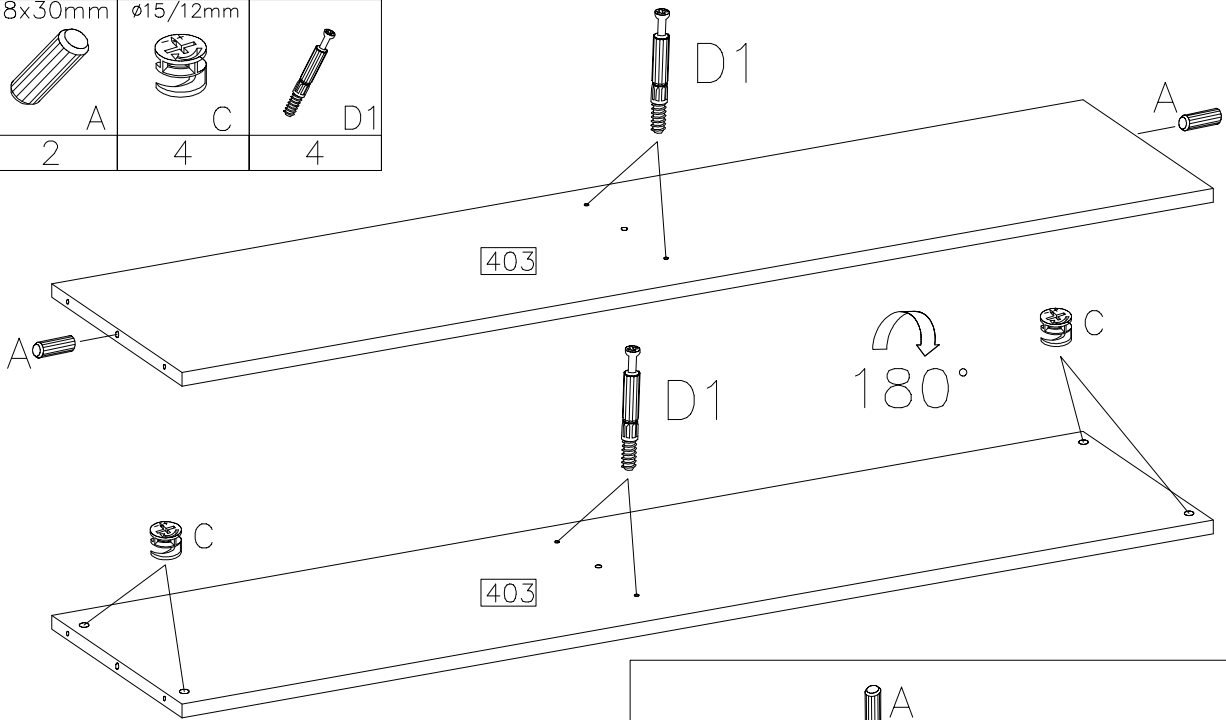
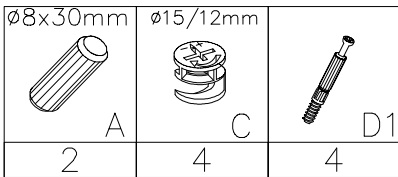
2



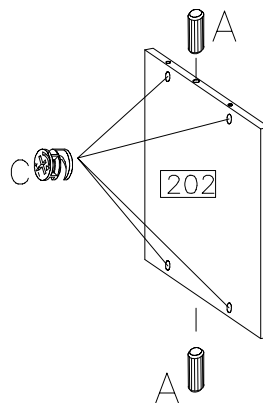
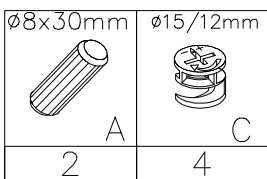
3



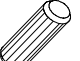




4

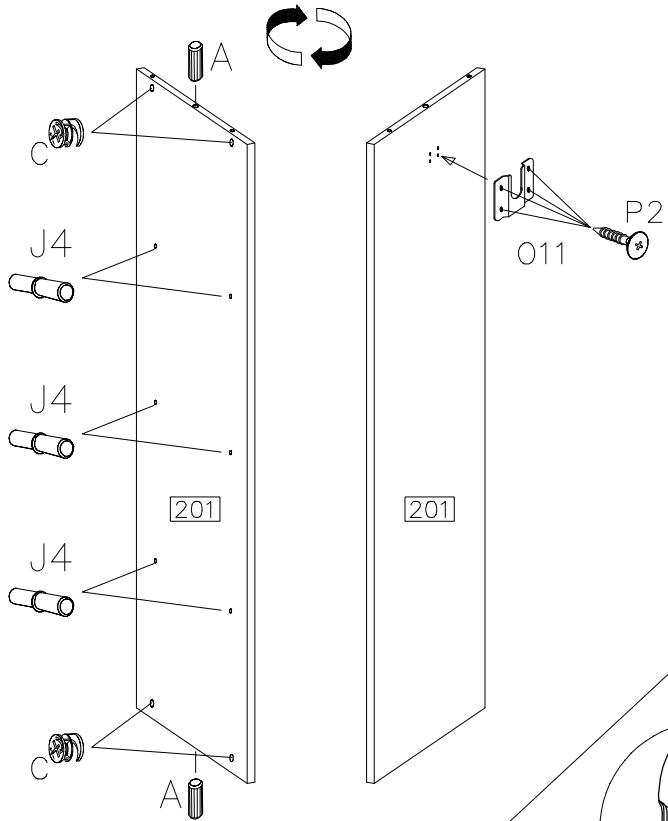


5


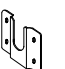





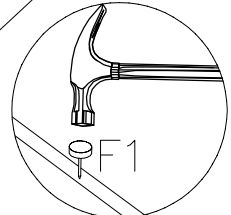
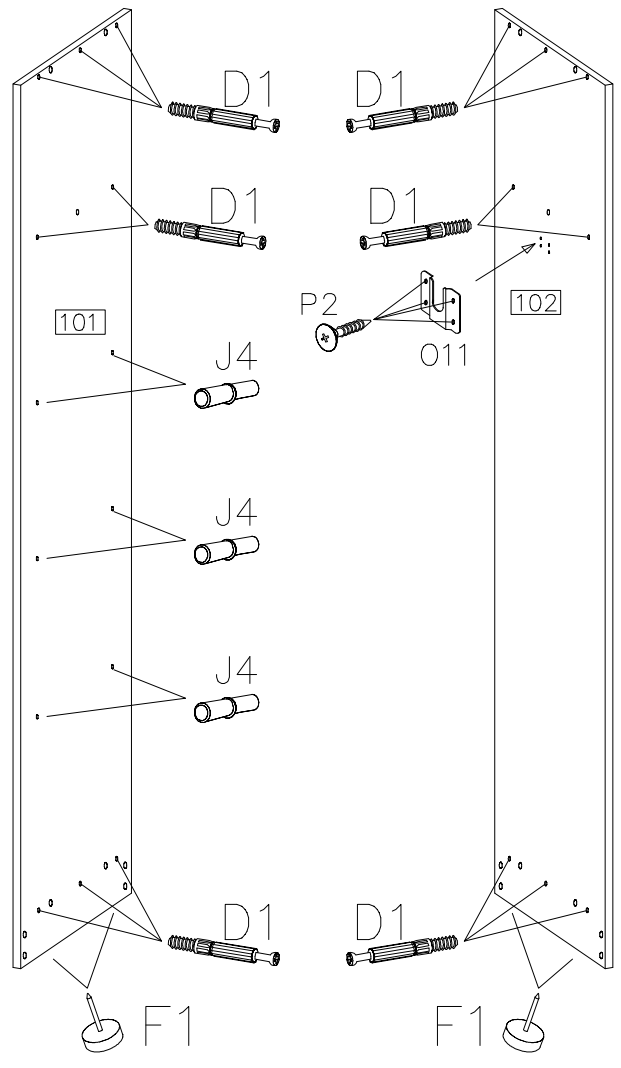
6

| | | | | |
|--|---|--|---|--|
| ∅8x30mm  A | ∅15/12mm  C |  J4 |  O11 | 3.5x13mm  P2 |
| 2 | 4 | 6 | 1 | 4 |




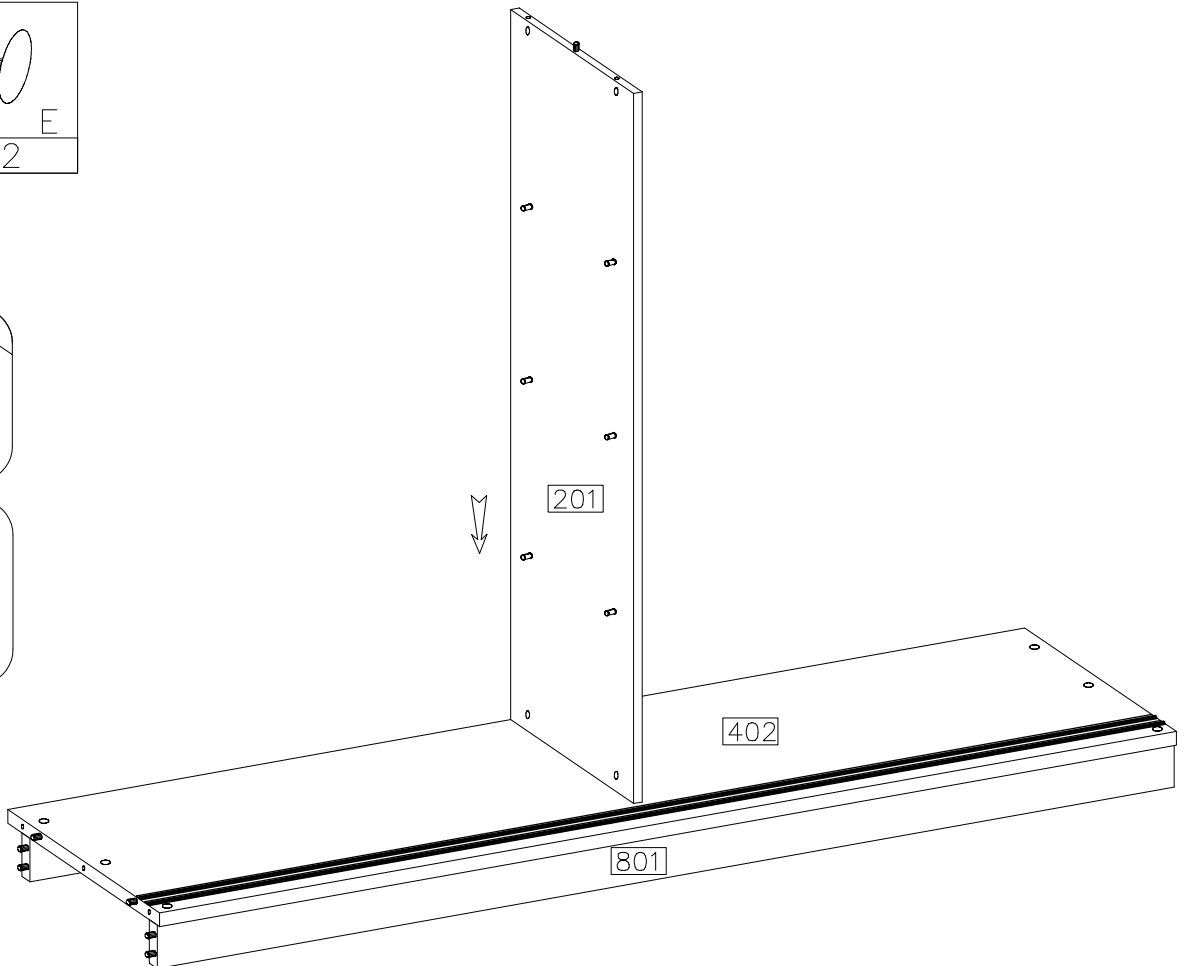
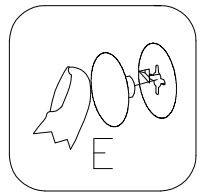
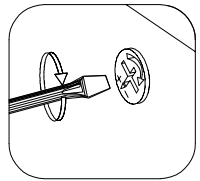
7

| | |
|---|----|
|  J4 | 6 |
|  O11 | 1 |
|  D1 | 16 |
| 3.5x13mm  P2 | 4 |
|  F1 | 4 |

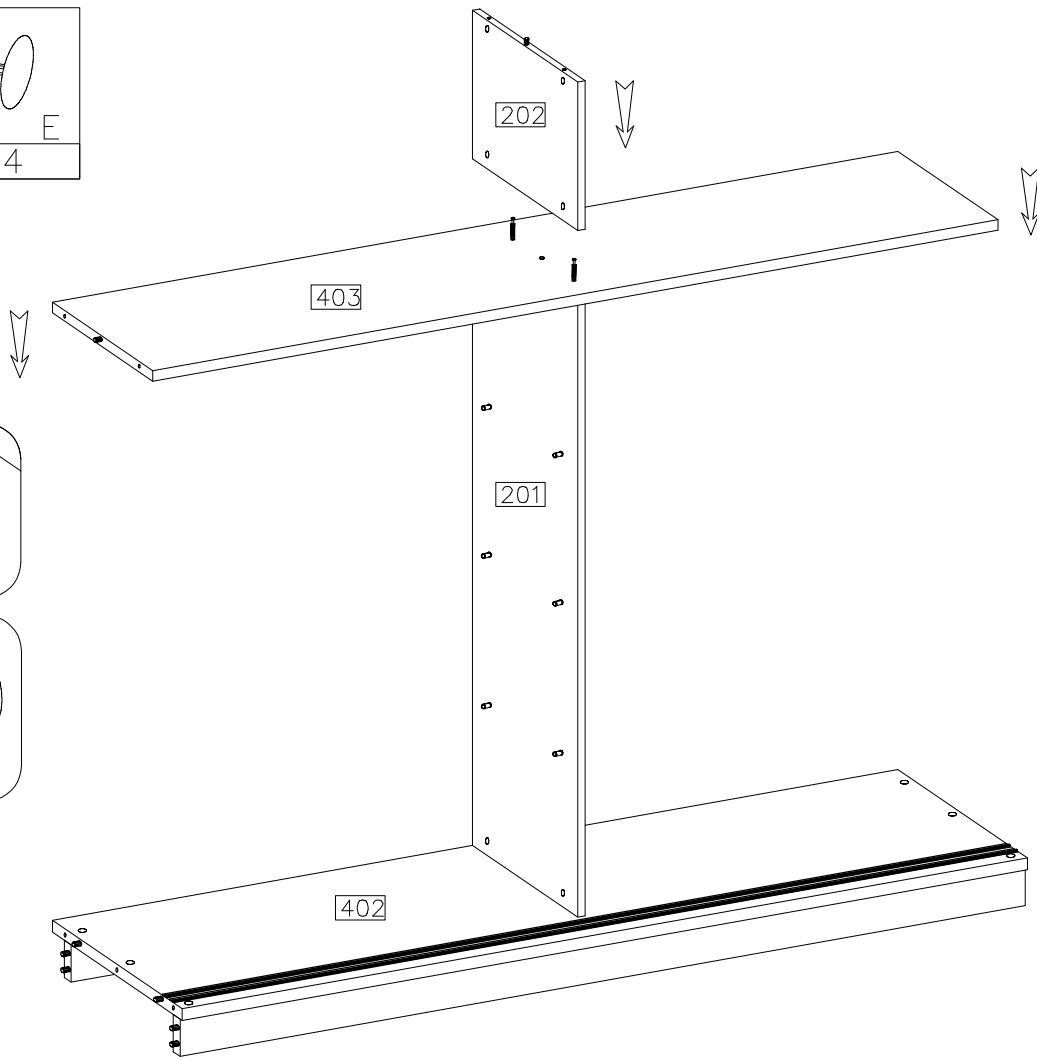
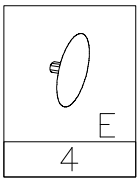


8

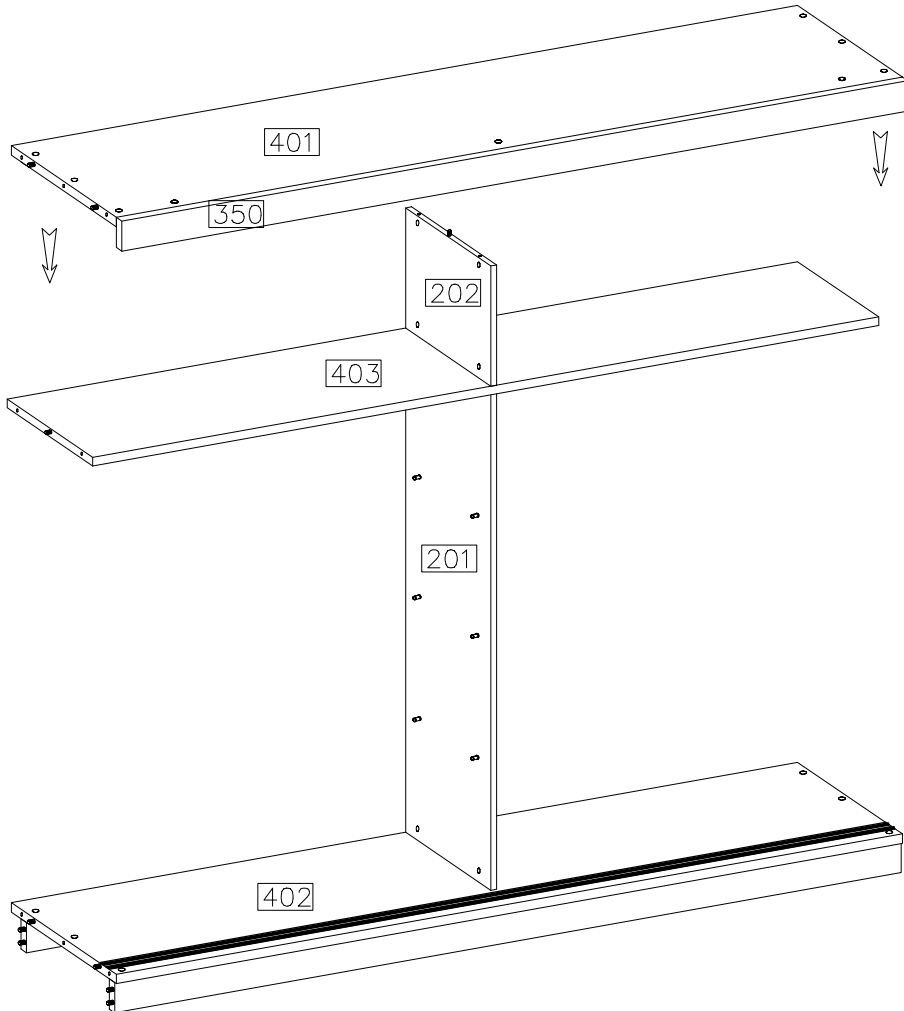
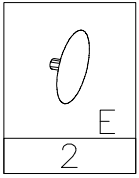
| |
|--|
|  E |
| 2 |



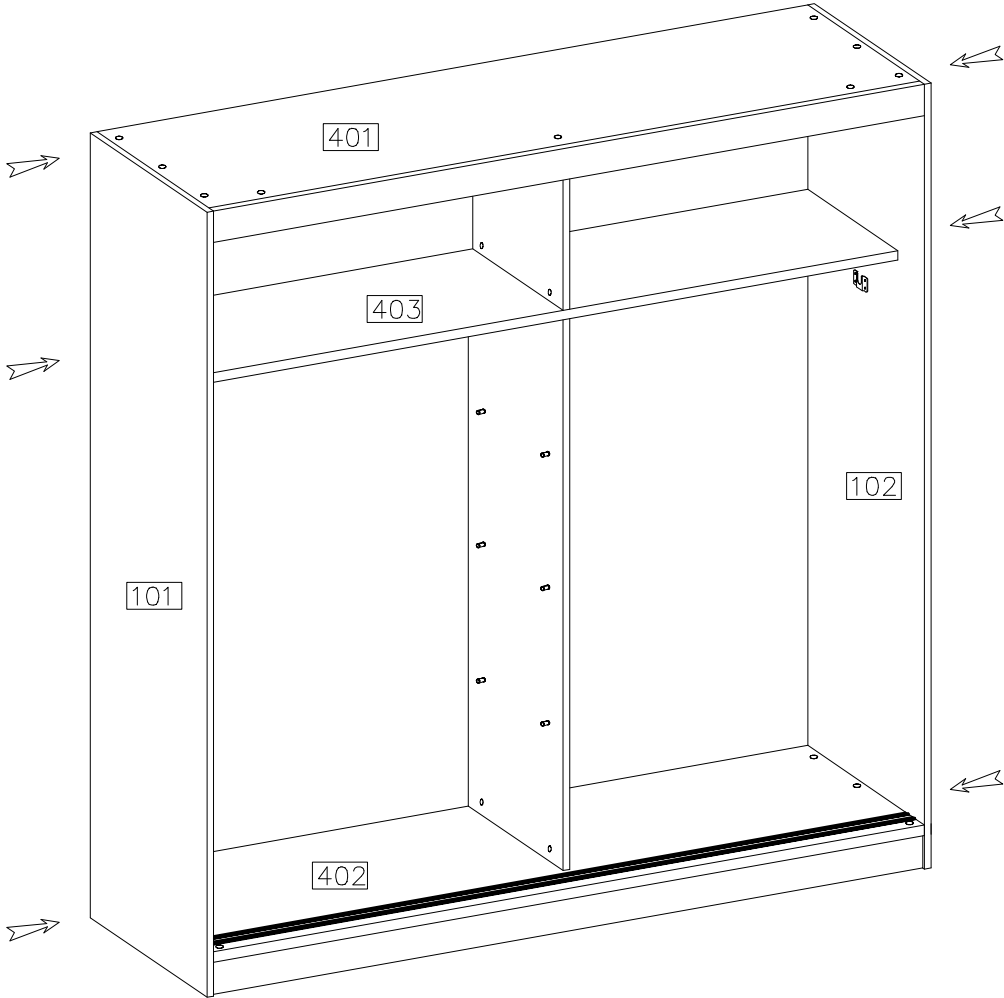
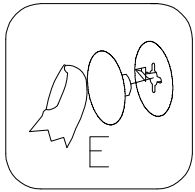
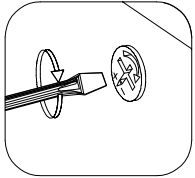
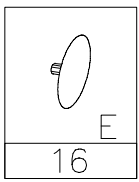
9



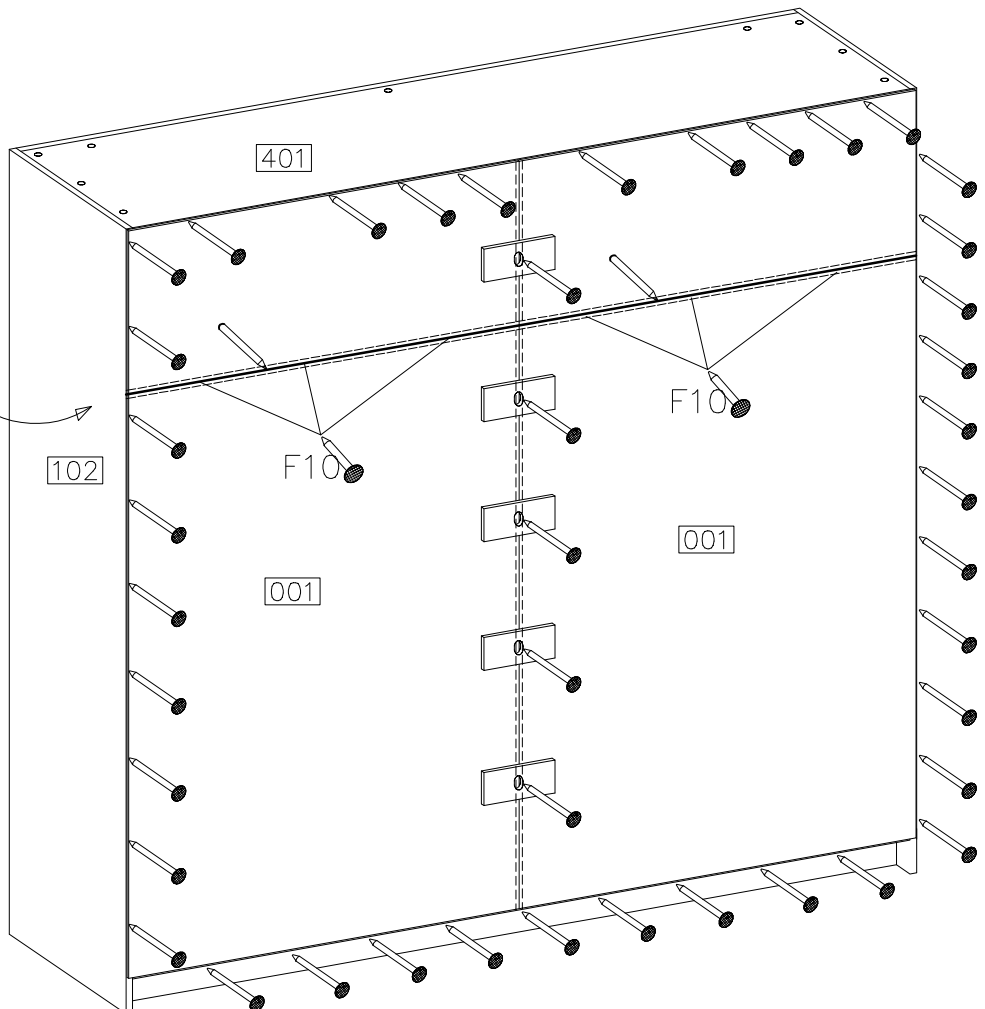
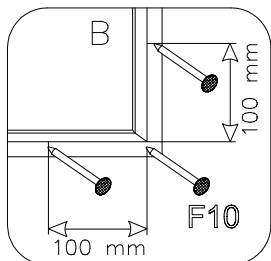
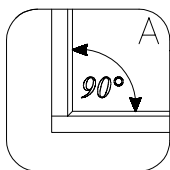
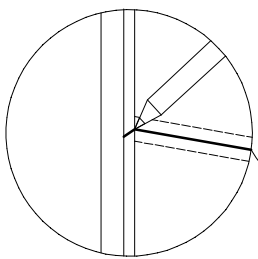
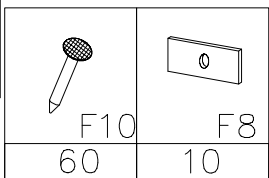
10



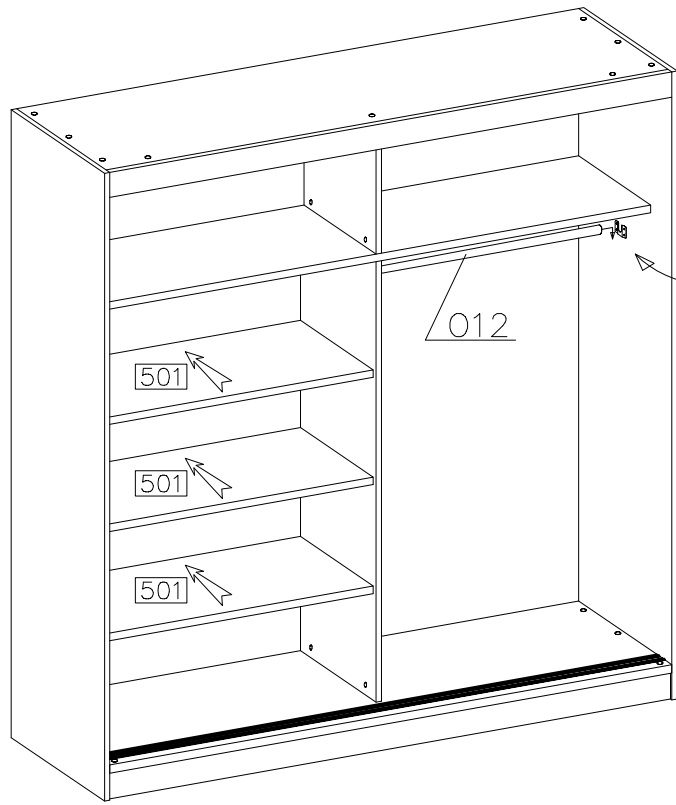
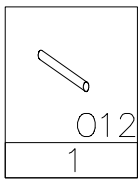
11



12

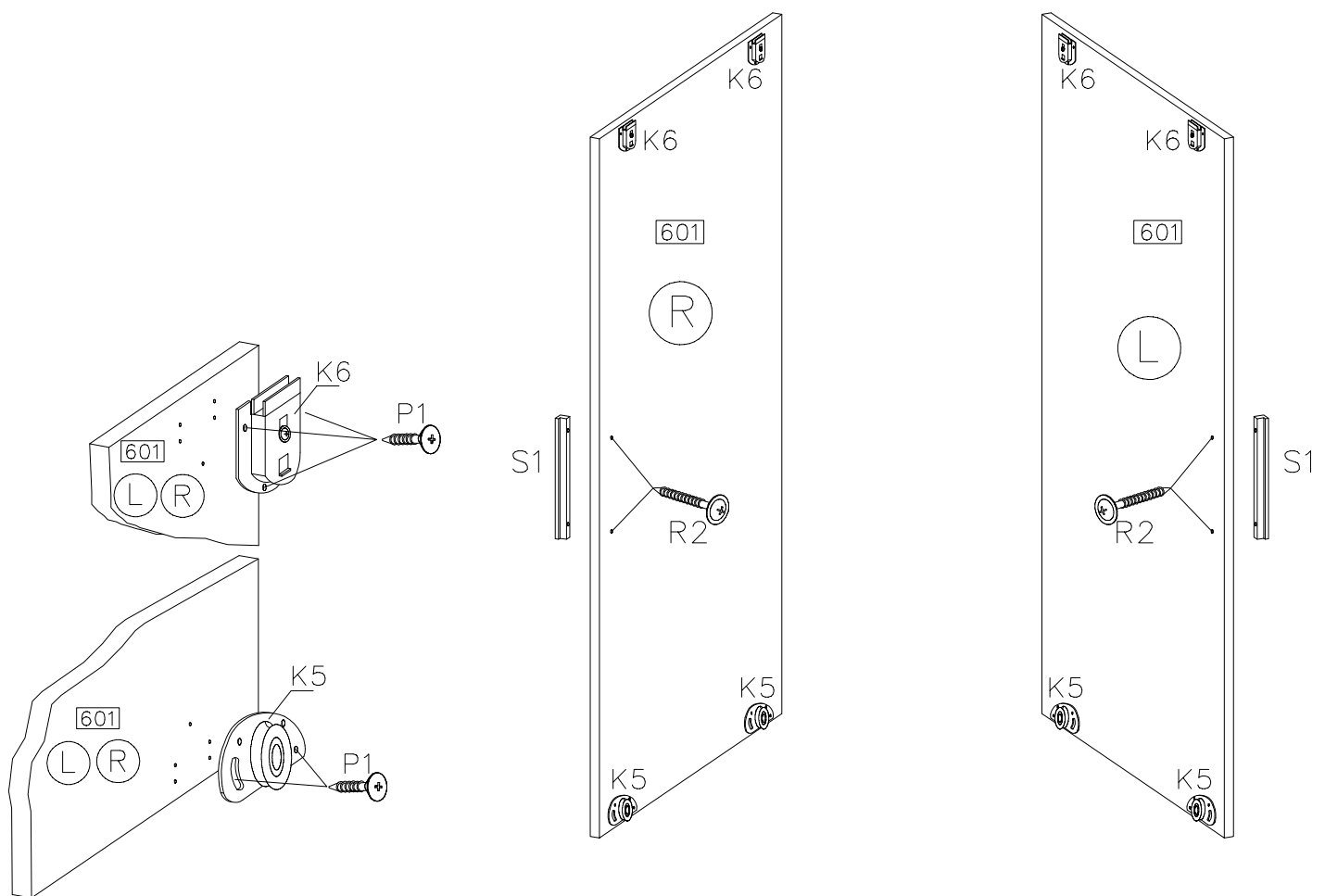


13

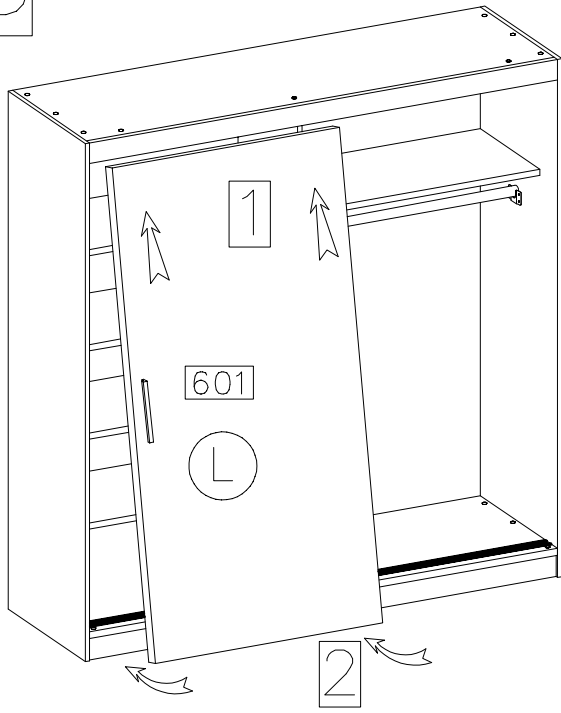


14

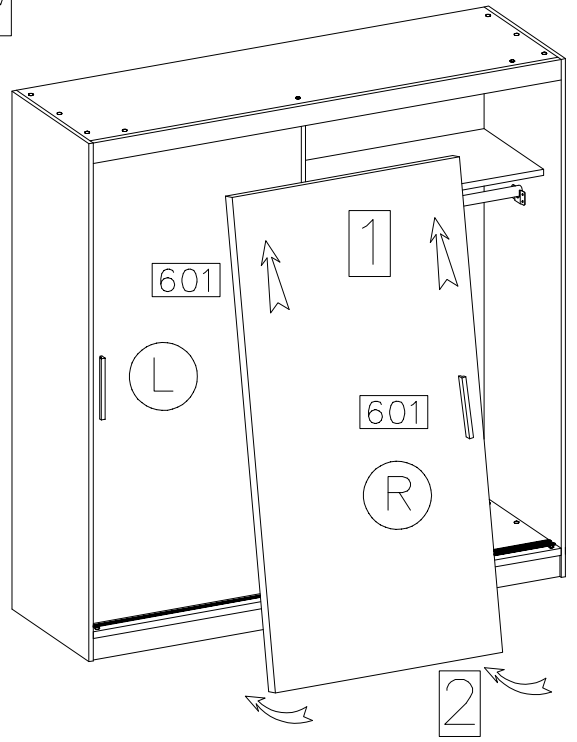
| | | | | |
|----|----|---------------------------------------|---------------------------|----|
| | | $\varnothing 4.0 \times 16 \text{mm}$ | $4.0 \times 27 \text{mm}$ | |
| K5 | K6 | P1 | R2 | S1 |
| 4 | 4 | 20 | 4 | 2 |



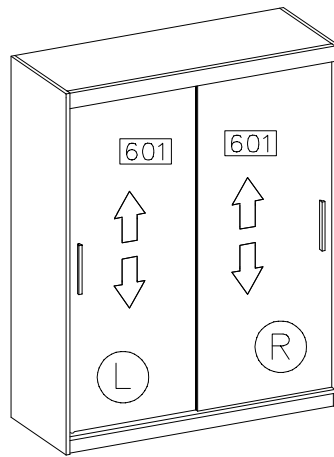
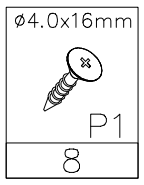
15



16



17



STEP 1
KROK 1

STEP 2
KROK 2

STEP 3
KROK 3

