

HEADBOARD & FOOTBOARD

ASSEMBLY INSTRUCTIONS

Before assembling your headboard and footboard, please read through these instructions carefully and familiarize yourself with the different parts.

ATTENTION! If you receive a damaged or defective item, please contact affurnishings.



PARTS LIST

- 1 HEADBOARD PANEL BOARDS 4 PCS
- 2 LEFT LEG 1 PC
- 3 RIGHT LEG 1 PC
- 4 HEADBOARD SUPPORT 1 PC
- 5 FOOTBOARD PANEL BOARDS 3 PCS
- 6 LEFT FOOTBOARD LEG 1 PC
- 7 RIGHT FOOTBOARD LEG 1 PC
- 8 FOOTBOARD SUPPORT 1 PC

Instructions apply for bed sizes
FULL > QUEEN

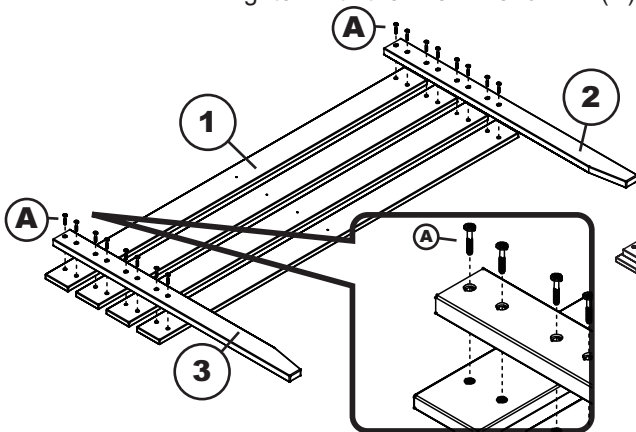
HARDWARE

- (A) JCB M6 X 35mm - 28 pcs
Spare - 1 pc
- (B) JCB M8 X 15mm (5/8") - 8 pcs
- (C) Wood screw (1 1/4") - 7 pcs
Spare - 1pc
- (D) Allen wrench M4 - 1pc
Spare - 1pc
- (E) Allen wrench M6 - 1pc

NOTE: WE INCLUDE SPARE HARDWARE IN CASE DAMAGE OCCURS DURING ASSEMBLY.

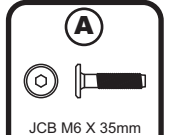
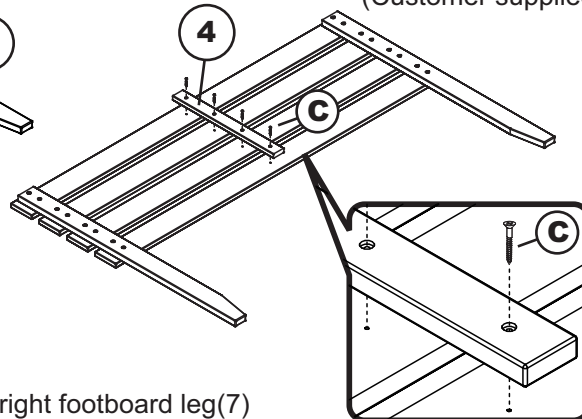
Step 1

Attach left leg (2) and right leg (3) to headboard panel boards (1) using JCB M6 X 35mm (A). Tighten with the Allen wrench M4 (D).



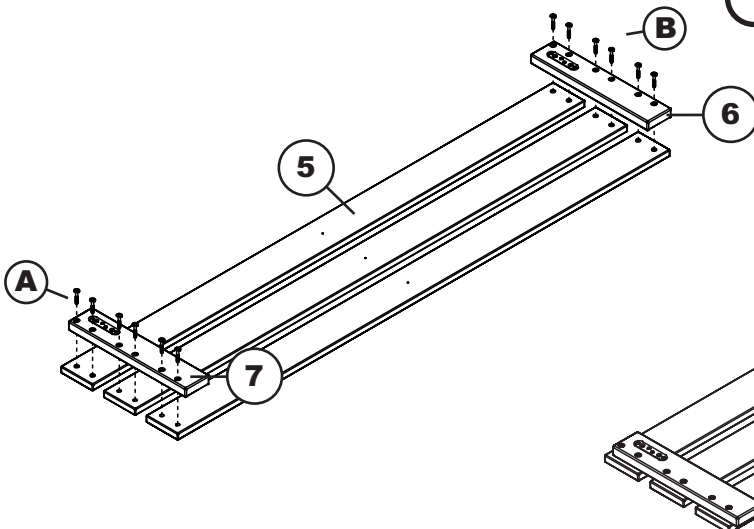
Step 2

Attach headboard support (4) to headboard panel boards using wood screw 1 1/4" (C) Tighten with the Phillips head screw driver. (Customer supplied)



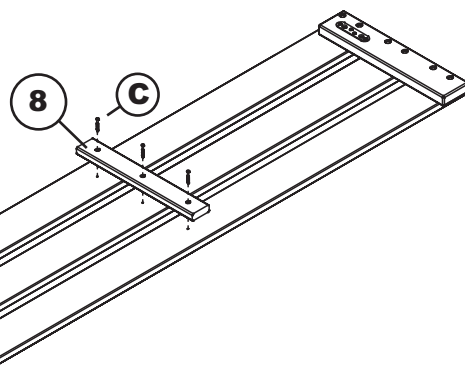
Step 3

Attach left footboard leg (6) and right footboard leg(7) to footboard panel boards (5) using JCB M6 X 35mm (A). Tighten with the Allen wrench M4 (D).



Step 4

Attach footboard support (8) to footboard panel boards using wood screw 1 1/4" (C). Tighten with the Phillips head screwdriver. (Customer supplied)



BED WITH MATCHING FOOTBOARD

FULL > QUEEN

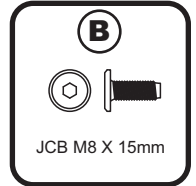
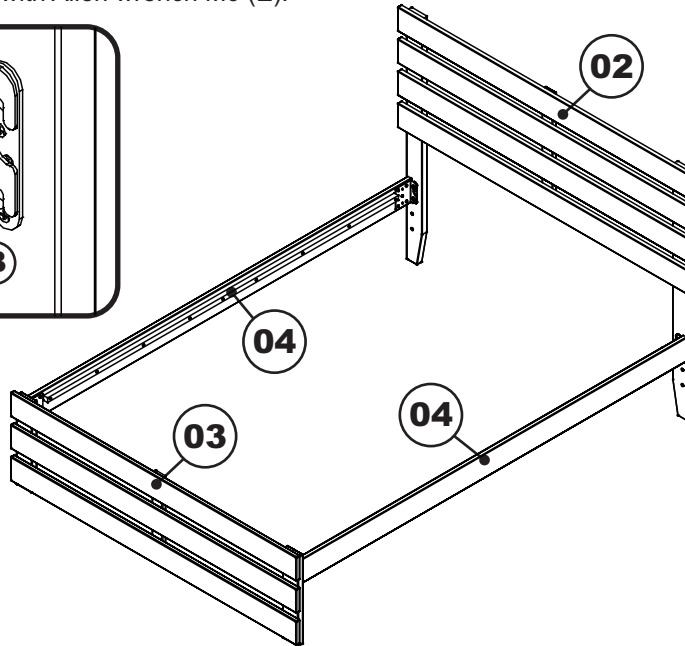
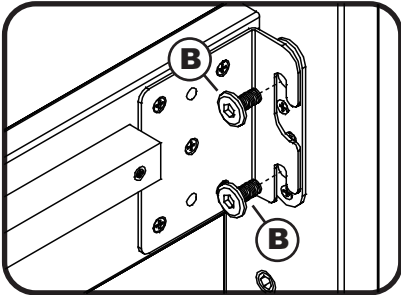


- 01 HARDWARE
 - 02 HEADBOARD
 - 03 FOOTBOARD
- BOX 1

- 01 HARDWARE
 - 04 SIDE RAILS
 - 05 SLAT KIT
- BOX 2

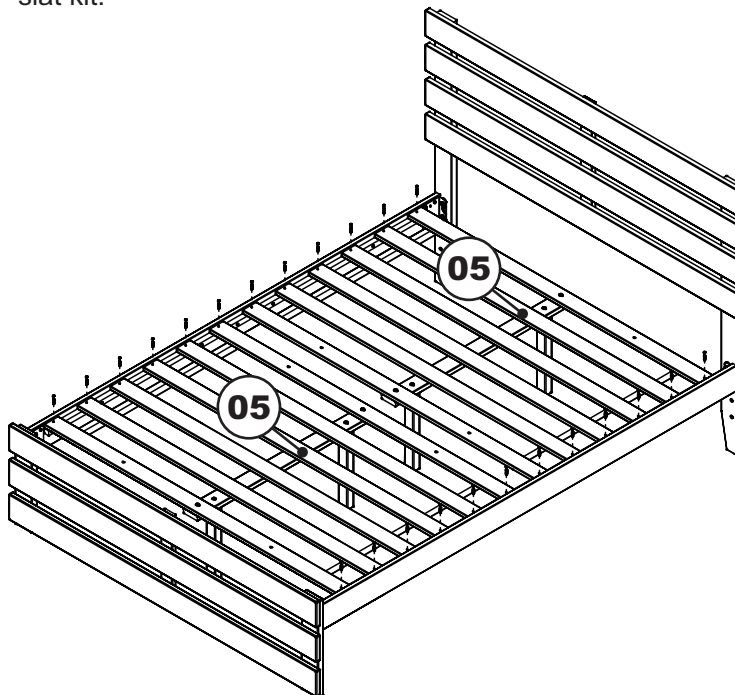
Step 1

Attach the side rails (04) to the headboard (02) and footboard (03) using JCB M8 X 15mm (B). Tighten with Allen wrench M6 (E).



Step 2

Attach slat kit (05) onto the bed using wood screws. Tighten with Phillips head screw driver. (customer supplied) For assembly of slat kit, follow the assembly instructions included with slat kit.



Congratulations!

Your bed is now ready for use.

We recommend that you periodically recheck that all screws are tight to ensure lasting safety.

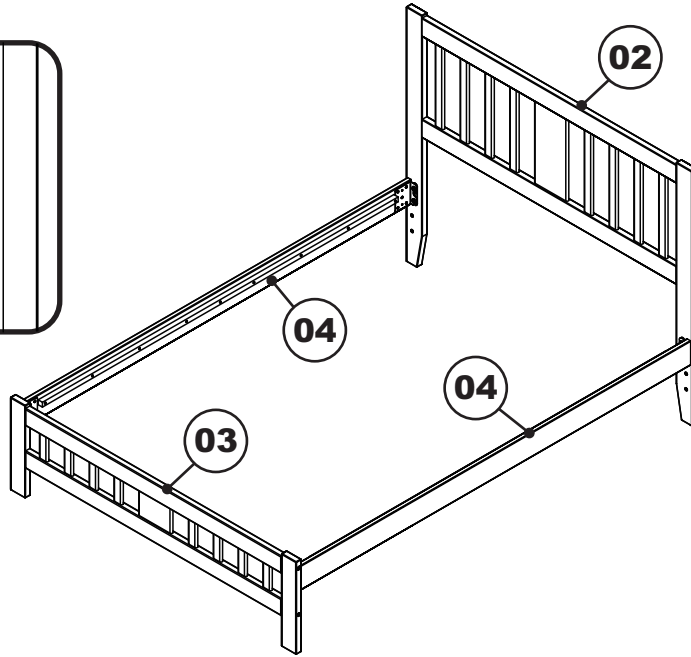
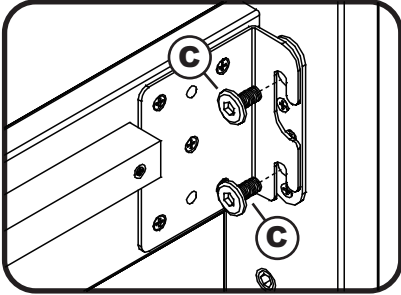
FULL

- 01 HARDWARE
 - 02 HEADBOARD
 - 03 FOOTBOARD
- BOX 1

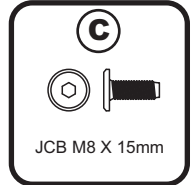
- 01 HARDWARE
 - 04 SIDE RAILS
 - 05 SLAT KIT
- BOX 2

Step 1

Attach the side rails (04) to the headboard (02) and footboard (03) using JCB M8 X 15mm (C). Tighten with Allen wrench M6 (E).



Adult assembly



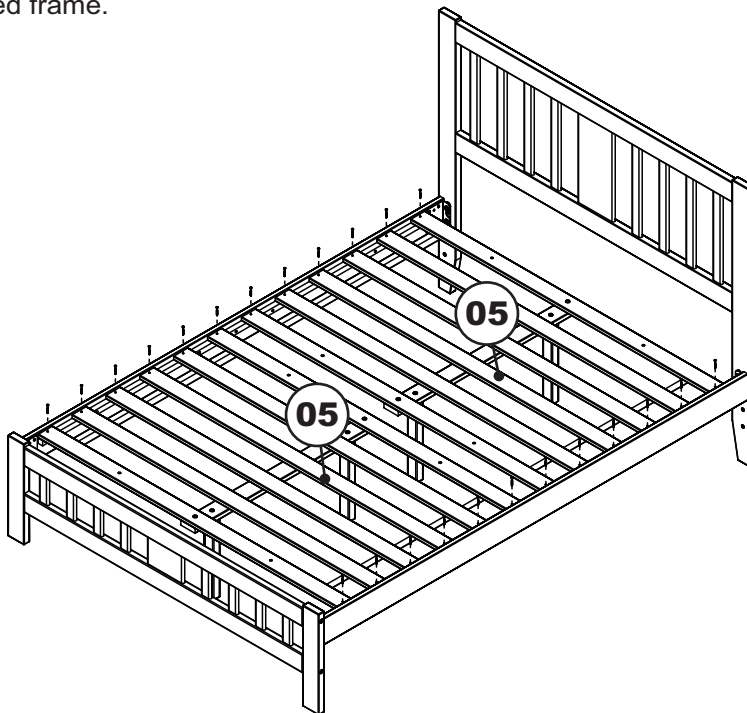
JCB M8 X 15mm



Allen wrench M6

Step 2

Attach slat kit (05) onto the bed using wood screws. Tighten with Phillips head screw driver. (customer supplied) For assembly of slat kit, follow the assembly instructions included with bed frame.



Adult assembly

Congratulations!

Your bed is now ready for use.

We recommend that you periodically recheck that all screws are tight to ensure lasting safety.

BED FRAME

affurnishings.com

FULL ASSEMBLY INSTRUCTIONS

Before assembling your bed frame, please read through these instructions carefully and familiarize yourself with the different parts.



ATTENTION! If you receive a damaged or defective item, please contact affurnishings.

PARTS LIST

- ① SIDE RAIL 2 PCS
- ② SLAT KIT 2 SETS
- ③ SLAT SUPPORT 2 PCS
- ④ SLAT SUPPORT LEG 4 PCS

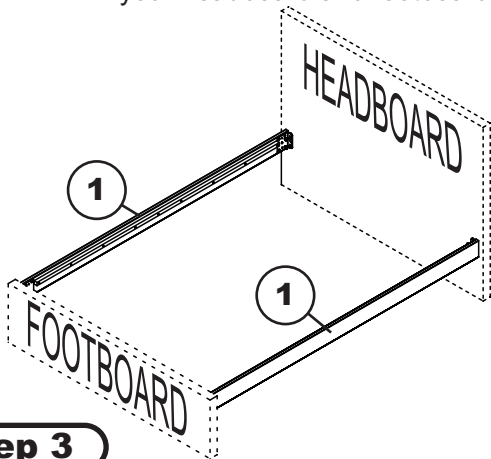
HARDWARE

- Ⓐ Wood screw (1 1/4") - 24 pcs Spare - 2 pcs
- Ⓑ JCB M6 X 25mm - 4 pcs
- Ⓒ Cap nut - 4 pcs
- Ⓓ Allen screw - 4 pcs
- Ⓔ Allen wrench - 1 pc

NOTE: WE INCLUDE SPARE HARDWARE IN CASE DAMAGE OCCURS DURING ASSEMBLY.

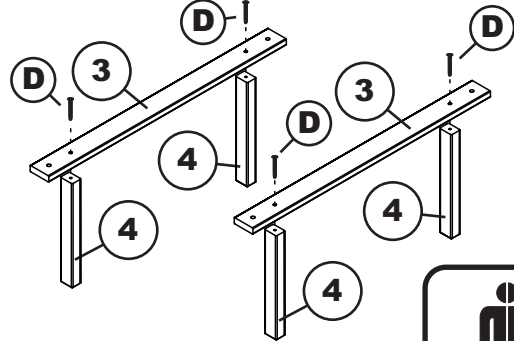
Step 1

Attach side rails (1) to the headboard and footboard. For assembly, follow the assembly instructions included with your headboard and footboard.



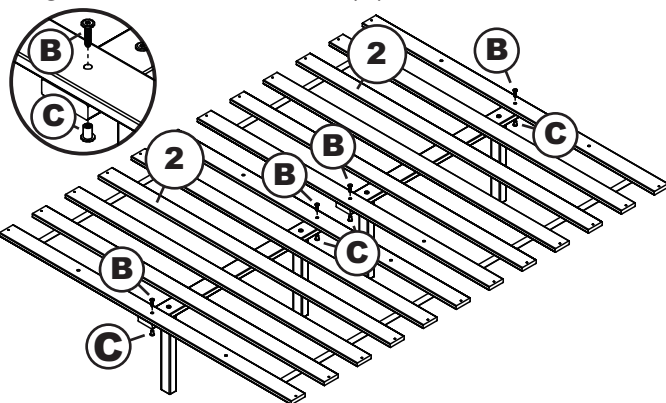
Step 2

Attach slat support legs (4) to slat support (3) as shown below using Allen screw (D) tighten with Allen wrench (E).



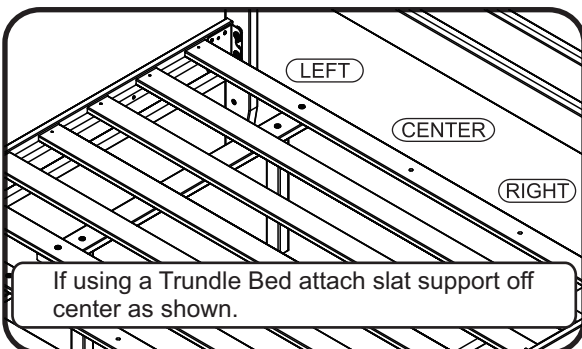
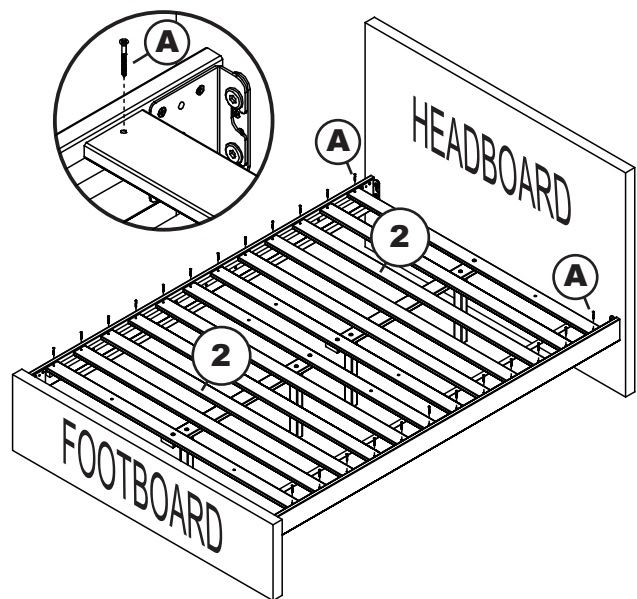
Step 3

Attach slat support (3) to the slat kit (2) as shown below using JCB M6 X 25mm (B) and cap nut (C). Tighten with Allen wrench (E).



Step 4

Attach the slat kit (2) onto the bed using wood screws 1 1/4" (A). Tighten with Phillips head screw driver. (customer supplied)



If using a Trundle Bed attach slat support off center as shown.