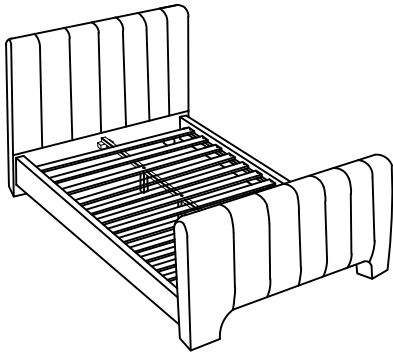


ASSEMBLY INSTRUCTION

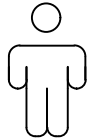
Bed- F



**+ Do Not Use
Power Tools**



**+Suggested
Adults**



NOTE:

- 1 Read instructions cover to cover.
- 2 Save all packaging until assembly is completed.

1 IMPORTANT SAFETY INFORMATION

Do not assemble the product if any of the following parts arrived damaged:

- | | |
|----------------------------------|---|
| Part#1 -Headboard | Part#7 -Center leg |
| Part#2 -Footboard | |
| Part#3 -Wood strip for Side rail | |
| Part#4 -Center support rails | |
| Part#5 -Side rail | Part#8 -Wood Block on Headboard & Footboard |
| Part#6 -Slats | |

Do not assemble it if any of the following Hardware parts are missing:

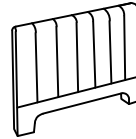
- | | |
|-----------------------|-----------------------|
| Part#B,E, -Bolt | Part#D, -Lock washer |
| Part#A, -Allen Key | Part#G -Metal bracket |
| Part#C,H -Flat washer | Part#F -screw |

2 IMPORTANT SAFETY INFORMATION

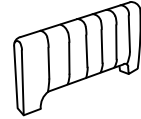
Assembly Step if loosening persists, please make sure to tighten all the bolts periodically, or use a thread locker adhesive.

+Parts Included

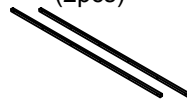
① Headboard (1pc)



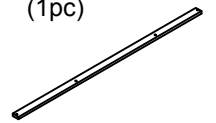
② Footboard (1pc)



③ Wood strip for Side rail (2pcs)



④ Center support rails (1pc)



⑤ Side rail (2pcs)



⑥ Slats (13pcs)



⑦ Center leg (4pcs)



⑧ Wood Block on Headboard & Footboard (2pcs)



+Hardware Included

A Ø1/4" (1pc)



B Ø5/16"*1" (16pcs)



C Ø5/16" (16pcs)



D Ø5/16" (34pcs)



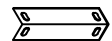
E Ø1/4" *2 3/8" (18pcs)



F #8*30mm (28pcs)



G Metal bracket (4pcs)

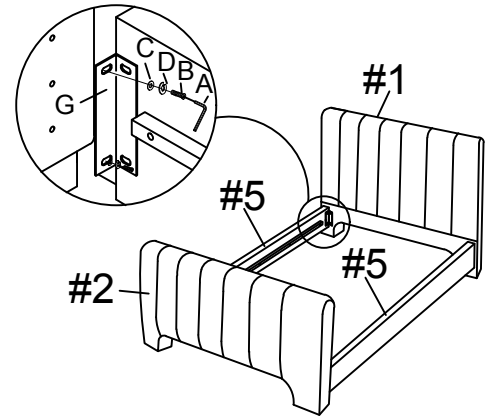


H Ø1/4" (18pcs)

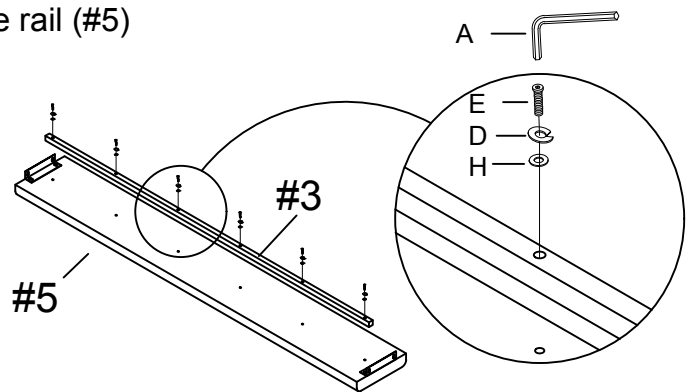


ASSEMBLY INSTRUCTION

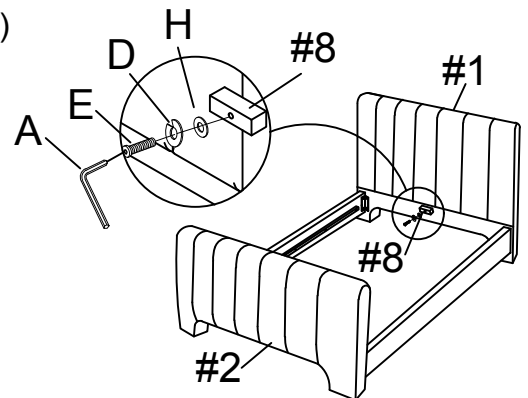
- 1** Step 1. Attach Metal Bracket (G) to side rail (#5), Headboard (#1) and Footboard (#2) with Bolt (B), Lock washer (D) and Flat washer (C). Tighten with Allen Key (A).



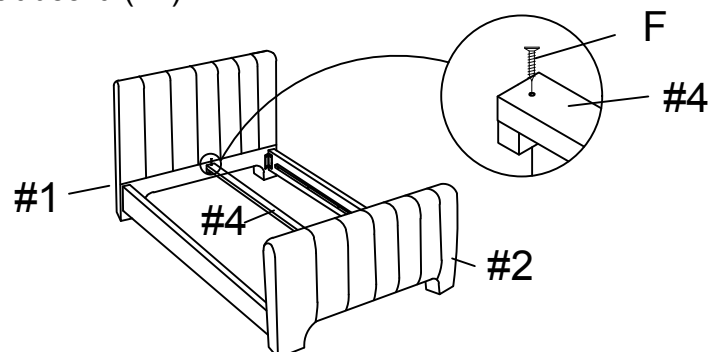
- 2** Step 2. Attach Wood strip for Side rail (#3) to side rail (#5) with Bolt (B), Lock washer (D) and Flat washer (C). Tighten with Allen Key (A).



- 3** Step 3. Attach Wood Block on Headboard & Footboard (#8) to Headboard (#1) and Footboard (#2) with Bolt (E), Lock washer (D) and Flat washer (H). Tighten with Allen Key (A).

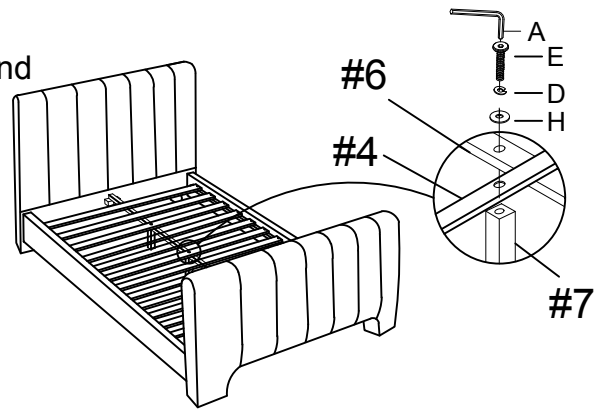


- 4** Step 4. Attach Center support rails (#4) to Headboard (#1) and Footboard (#2) with Screw (F).

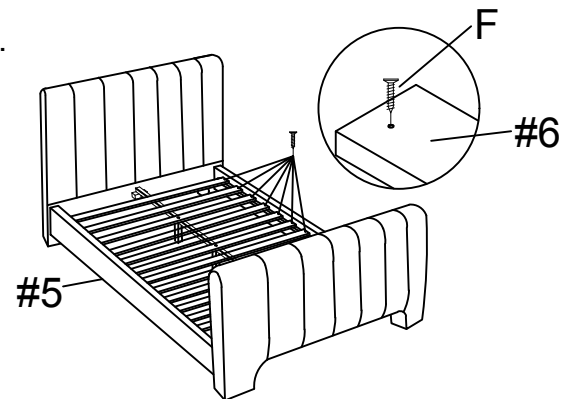


ASSEMBLY INSTRUCTION

- 5 Step 5. Attach Center leg (#7) to Middle support rail (#4) and Slats (#6) with Bolt (E), Lock washer (D) and Flat washer (H). Tighten with Allen Key (A).



- 6 Step 6. Attach Slats (#6) to Side rail (#5) by Screw (F).



- 7 Assembly Complete.

