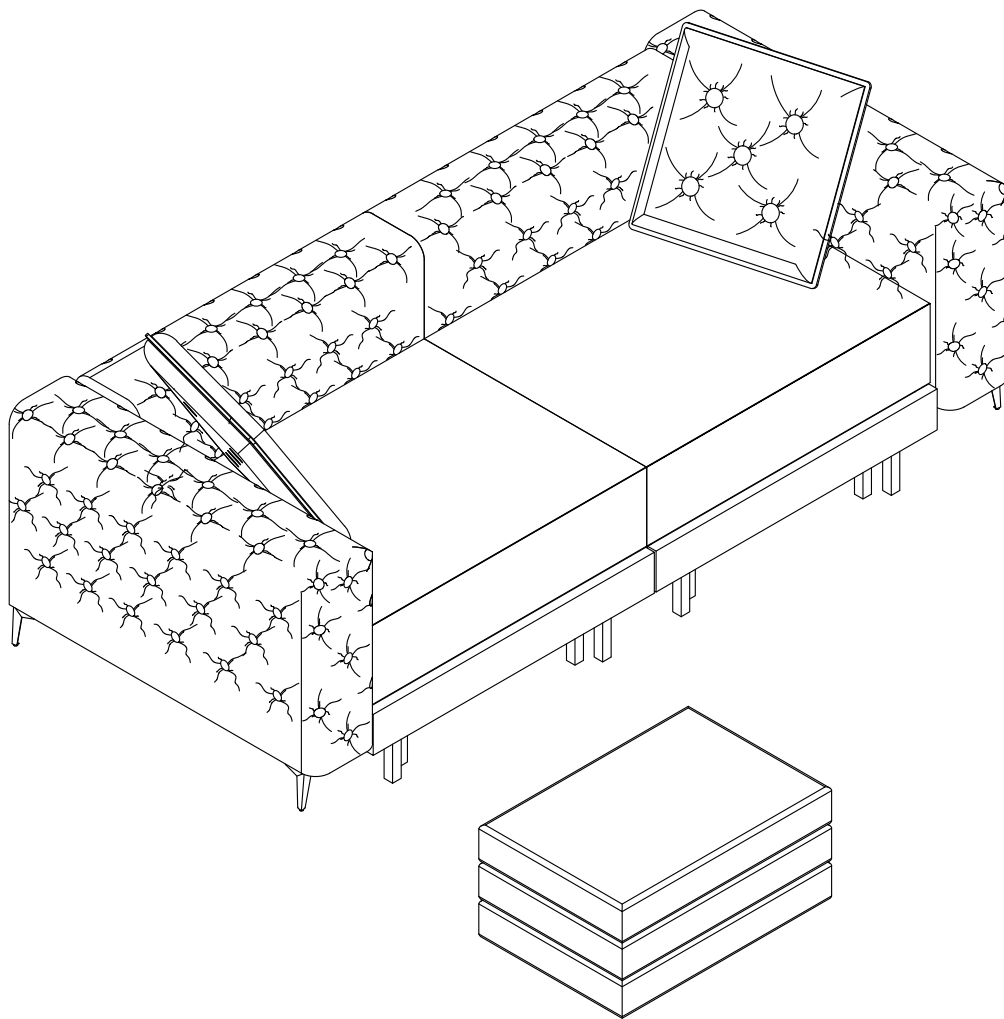
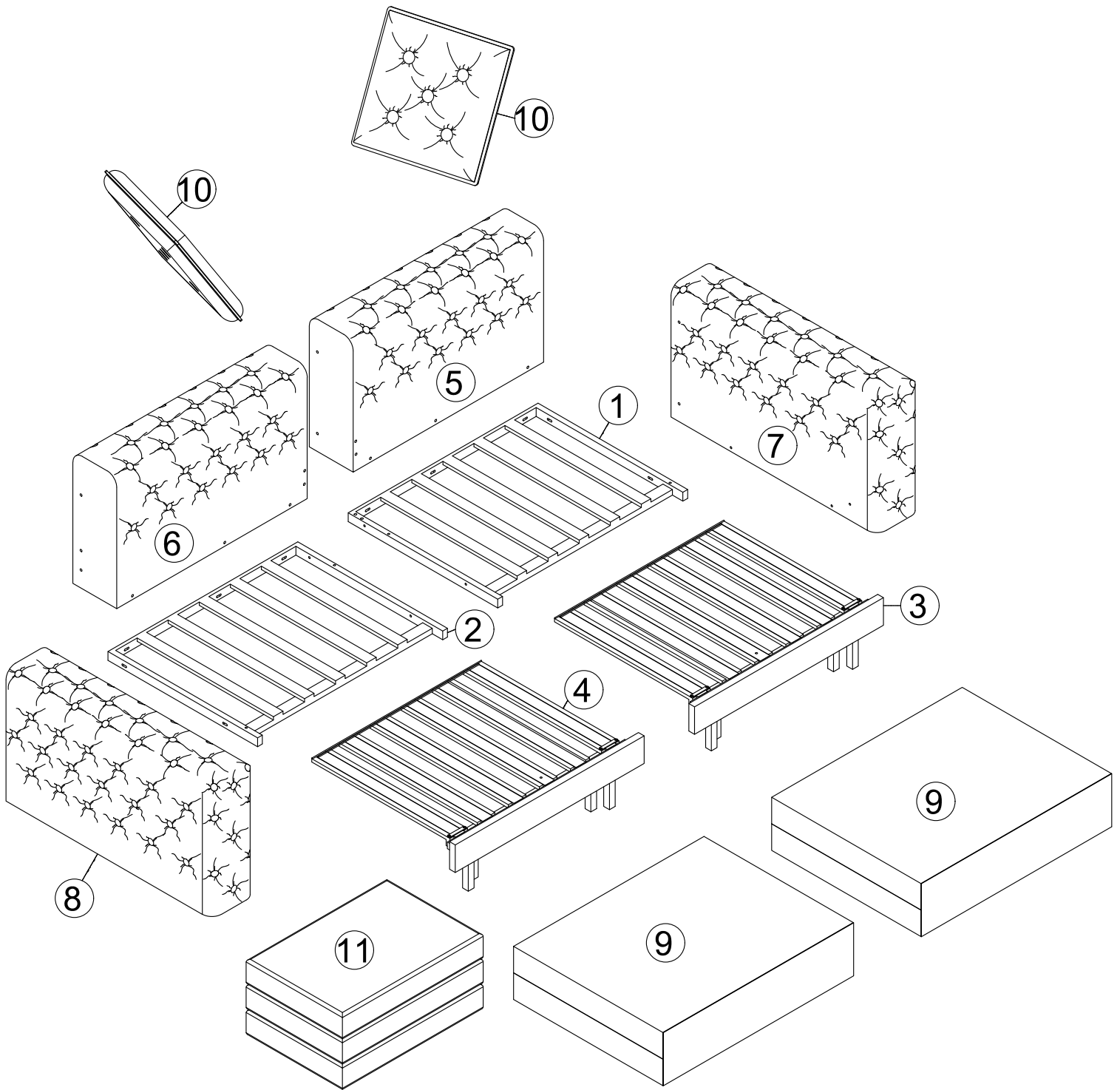


INSTALLATION INSTRUCTION

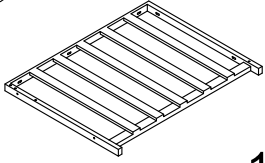




PART LIST:

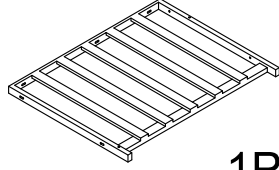
BOX 1-3

1



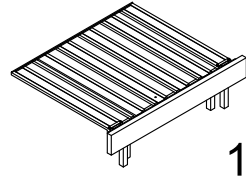
1PC

2



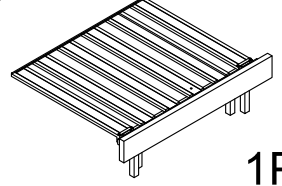
1PC

3



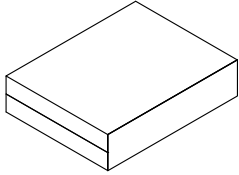
1PC

4



1PC

9

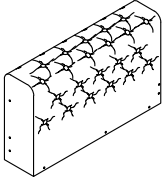


2PCS

BOX 2-3

6

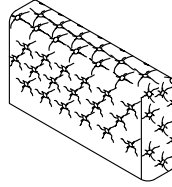
Left Backrest



1PC

8

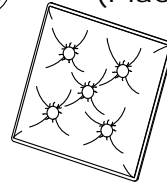
Left Armrest



1PC

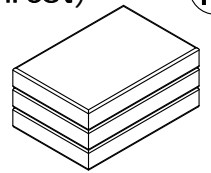
10

(Place inside the Left armrest)



2PCS

11

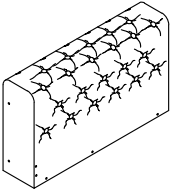


1PC

BOX 3-3

5

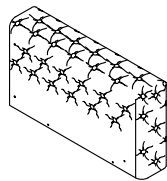
Right Backrest



1PC

7

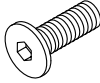
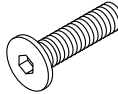
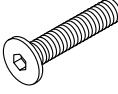
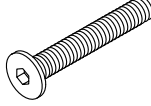
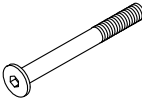

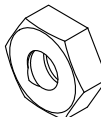
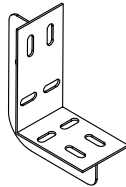
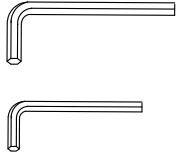
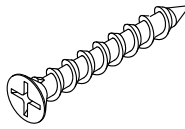
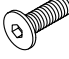
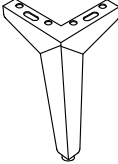
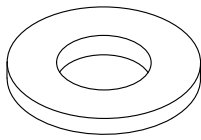
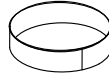
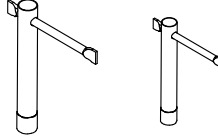

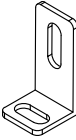
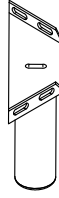
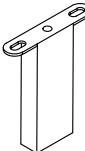
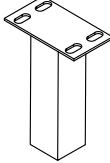
Right Armrest



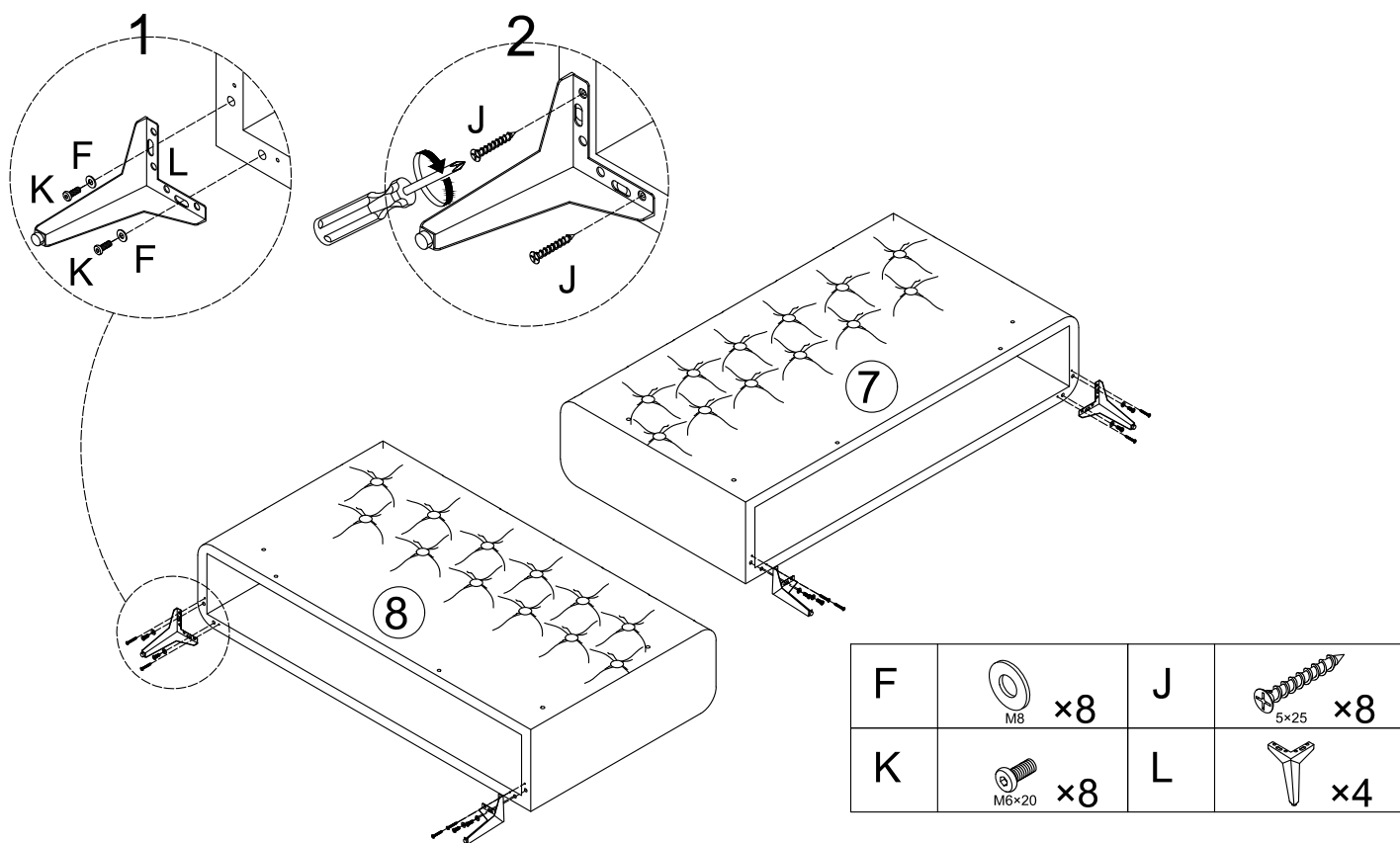
1PC

All hardware components
(Place inside the right armrest)

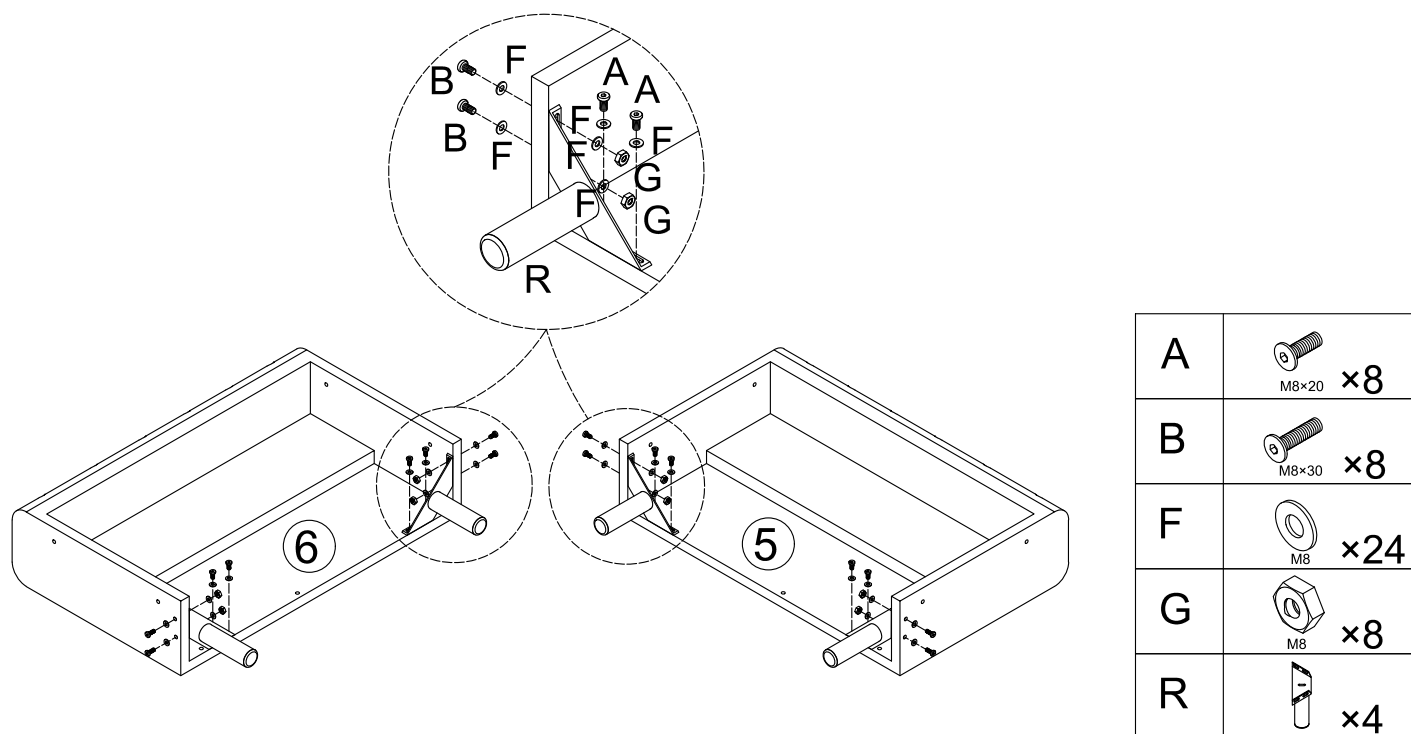
HARDWARE LIST:

<p>A</p>  <p>M8x20 28PCS</p>	<p>B</p>  <p>M8x30 8PCS</p>	<p>C</p>  <p>M8x60 16PCS</p>	<p>D</p>  <p>M8x80 4PCS</p>
<p>E</p>  <p>M8x100 1PC</p>	<p>F</p>  <p>M8 62PCS</p>	<p>G</p>  <p>M8 23PCS</p>	<p>H</p>  <p>1PC</p>
<p>I</p>  <p>M8 M6 1PC</p>	<p>J</p>  <p>5x25 8PCS</p>	<p>K</p>  <p>M6x20 8PCS</p>	<p>L</p>  <p>4PCS</p>
<p>M</p>  <p>1PC</p>	<p>N</p>  <p>2PCS</p>	<p>O</p>  <p>M8 M6 1PC</p>	<p>P</p>  <p>1PC</p>
<p>Q</p>  <p>2PCS</p>	<p>R</p>  <p>4PCS</p>	<p>S</p>  <p>4PCS</p>	<p>T</p>  <p>1PC</p>

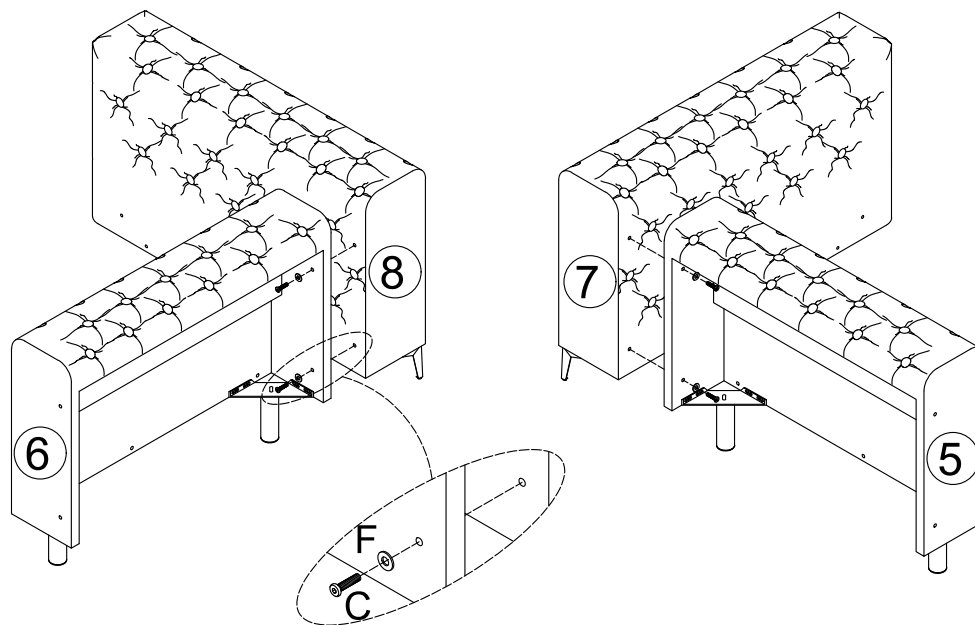
Step 1





Step 2

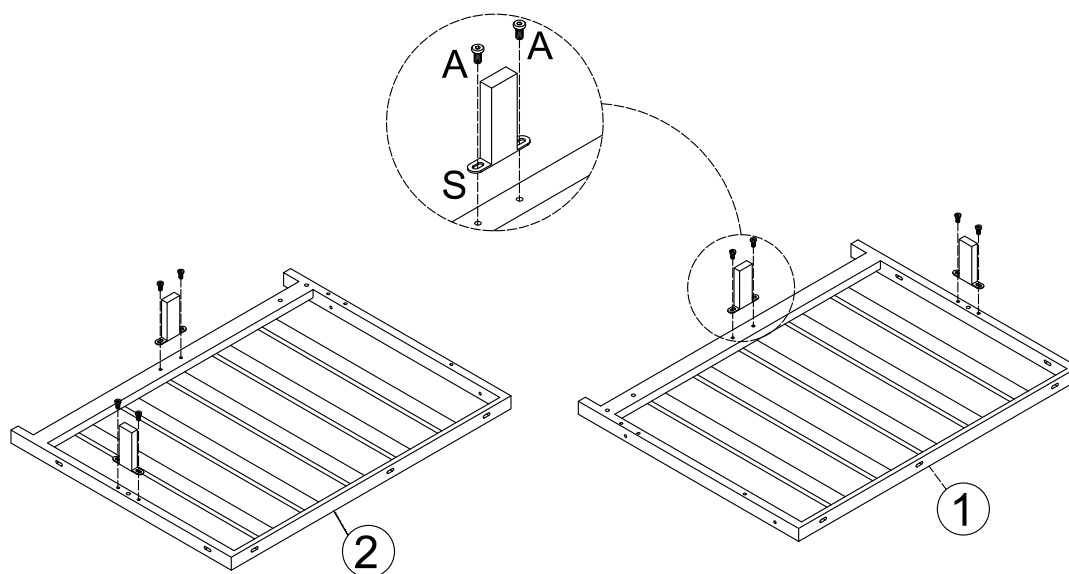



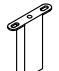
Step 3



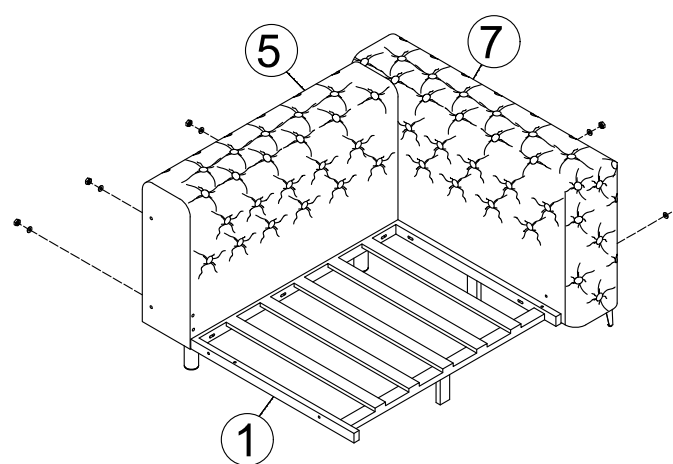
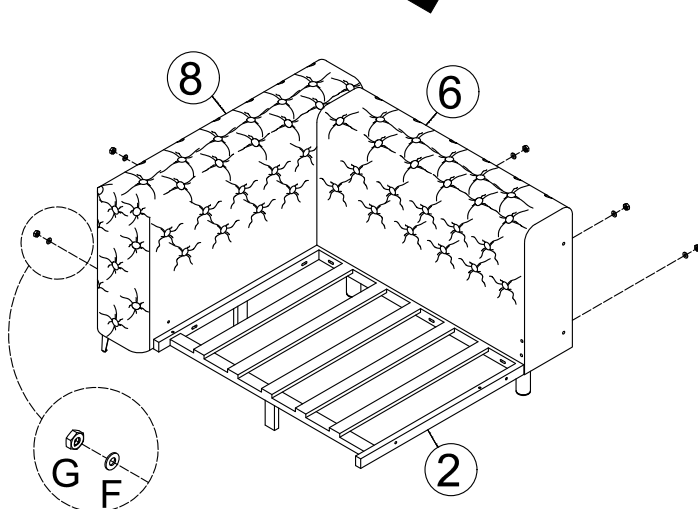
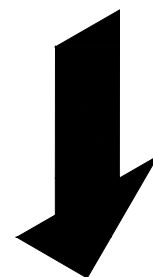
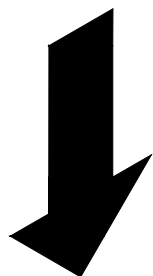
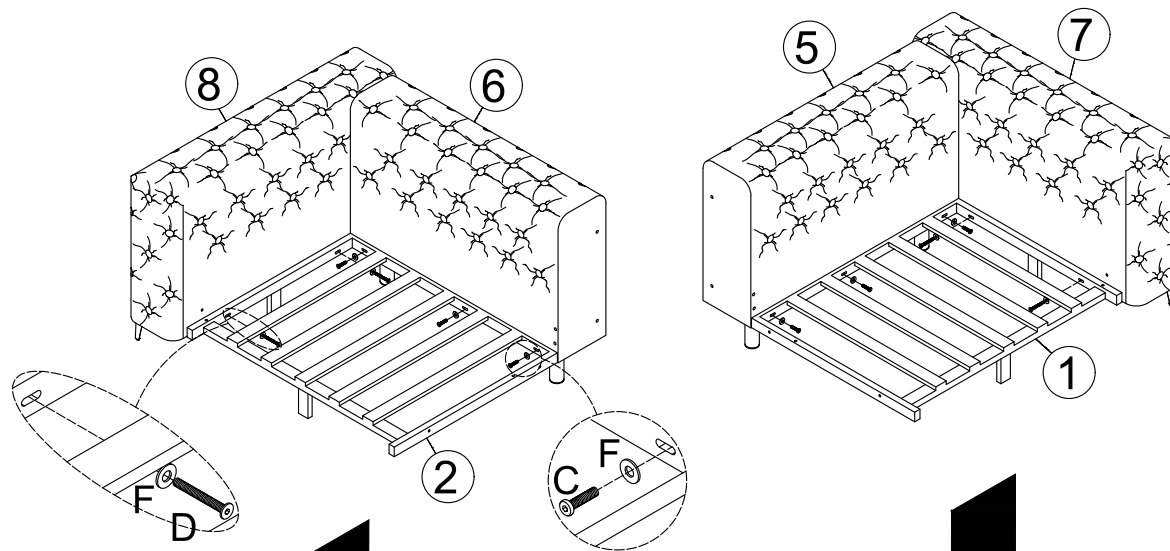
C	 M8x80 x4
F	 M8 x4


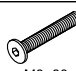


Step 4



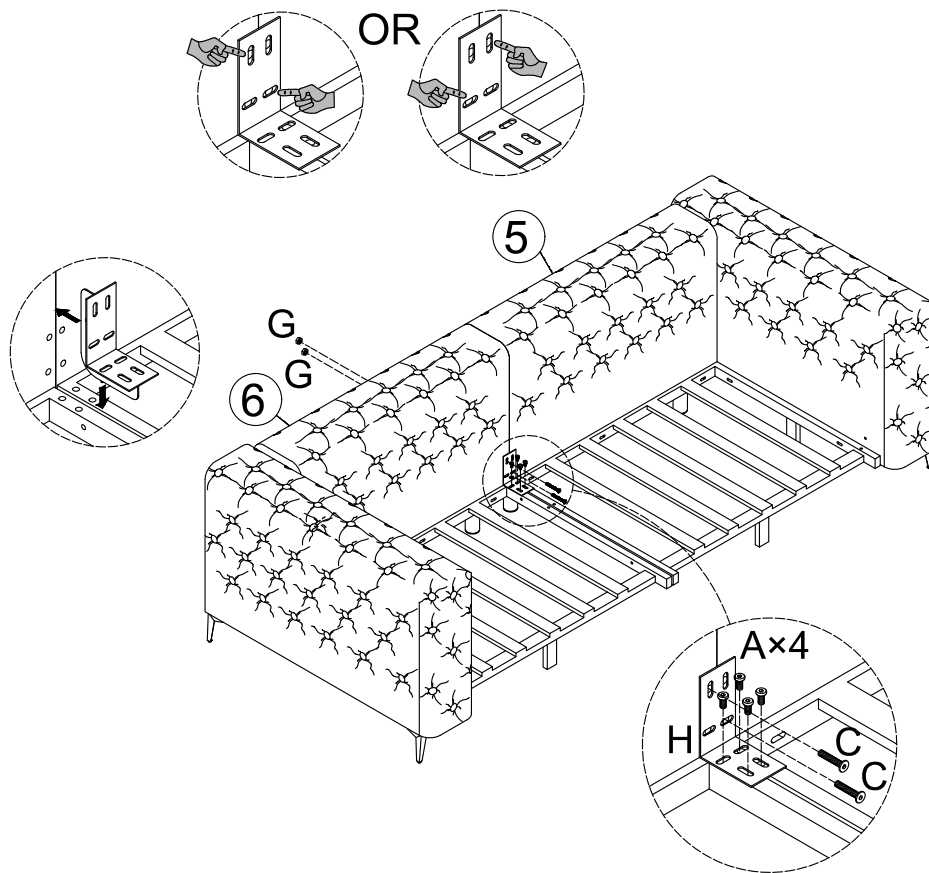
A	 M8x20 x8
S	 x4




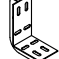
Step 5



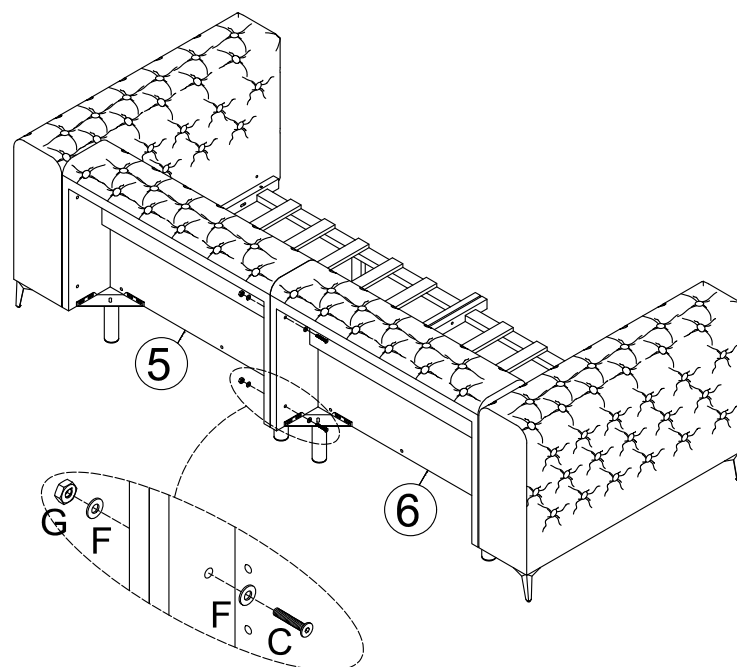
C	 M8×60	×6
D	 M8×80	×4
F	 M8	×20
G	 M8	×10




Step 6



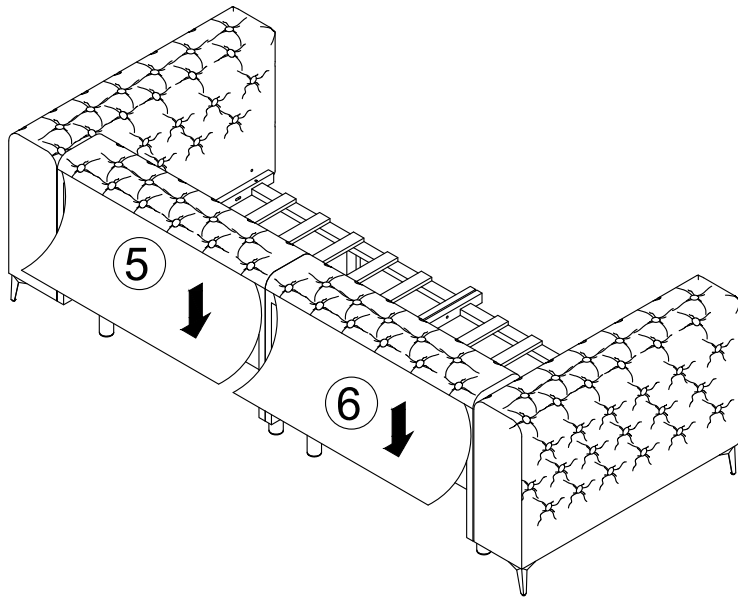
A	 M8x20	x4
C	 M8x60	x2
G	 M8	x2
H		x1

Step 7

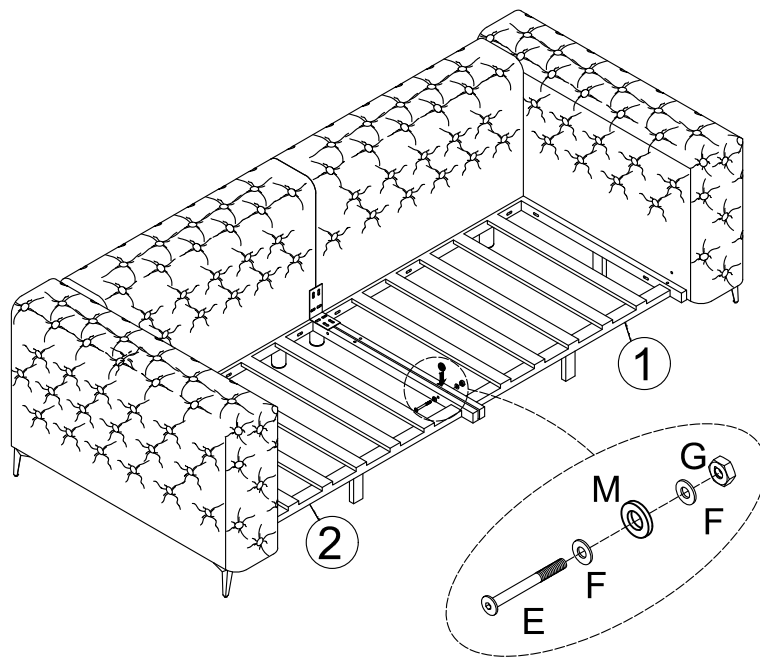






C	 M8x60	x2
F	 M8	x4
G	 M8	x2

Step 8

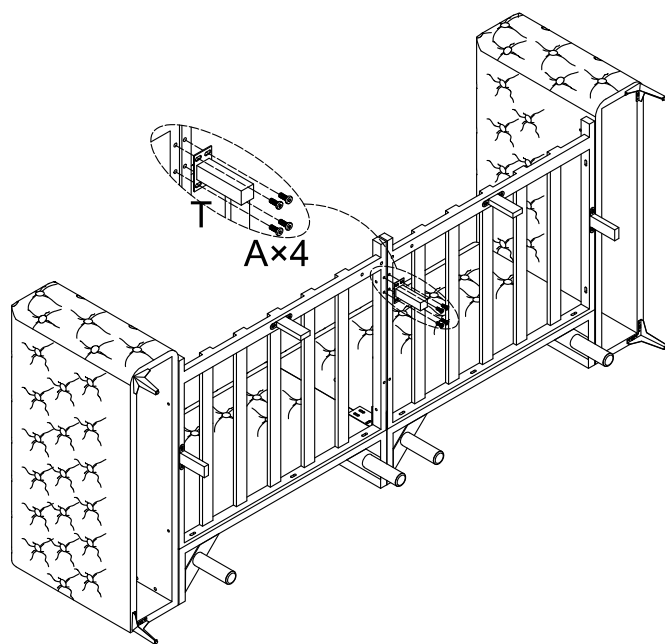



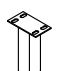
Step 9



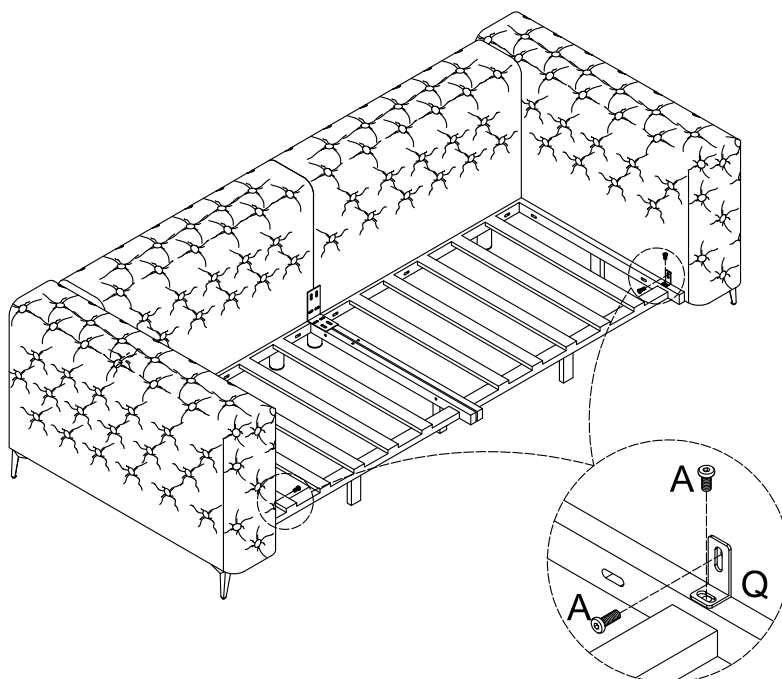
E	 M8×100 ×1
F	 M8 ×2
G	 M8 ×1
M	 ×1


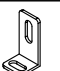
Step 10



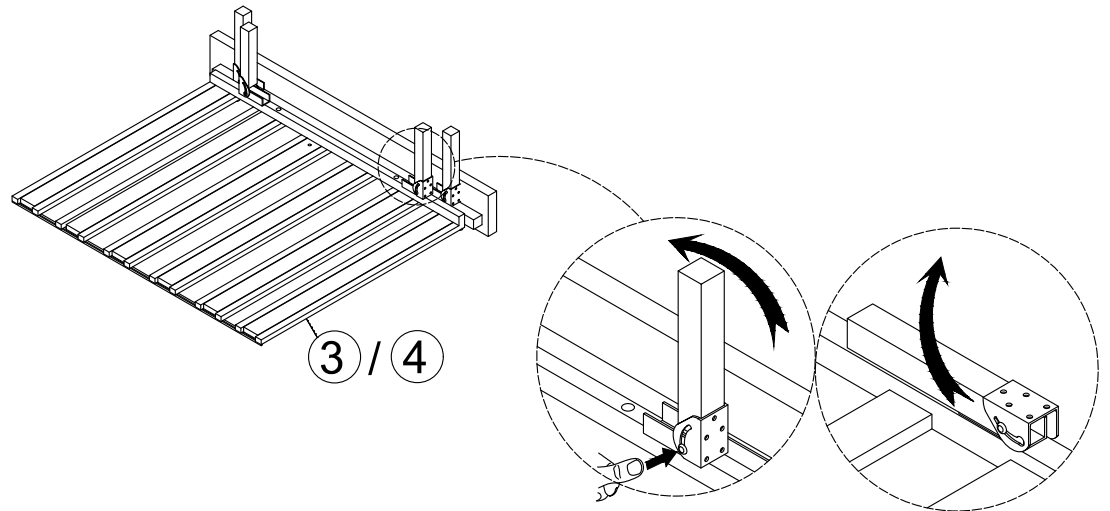
A	 M8x20 x4
T	 x1

Step 11

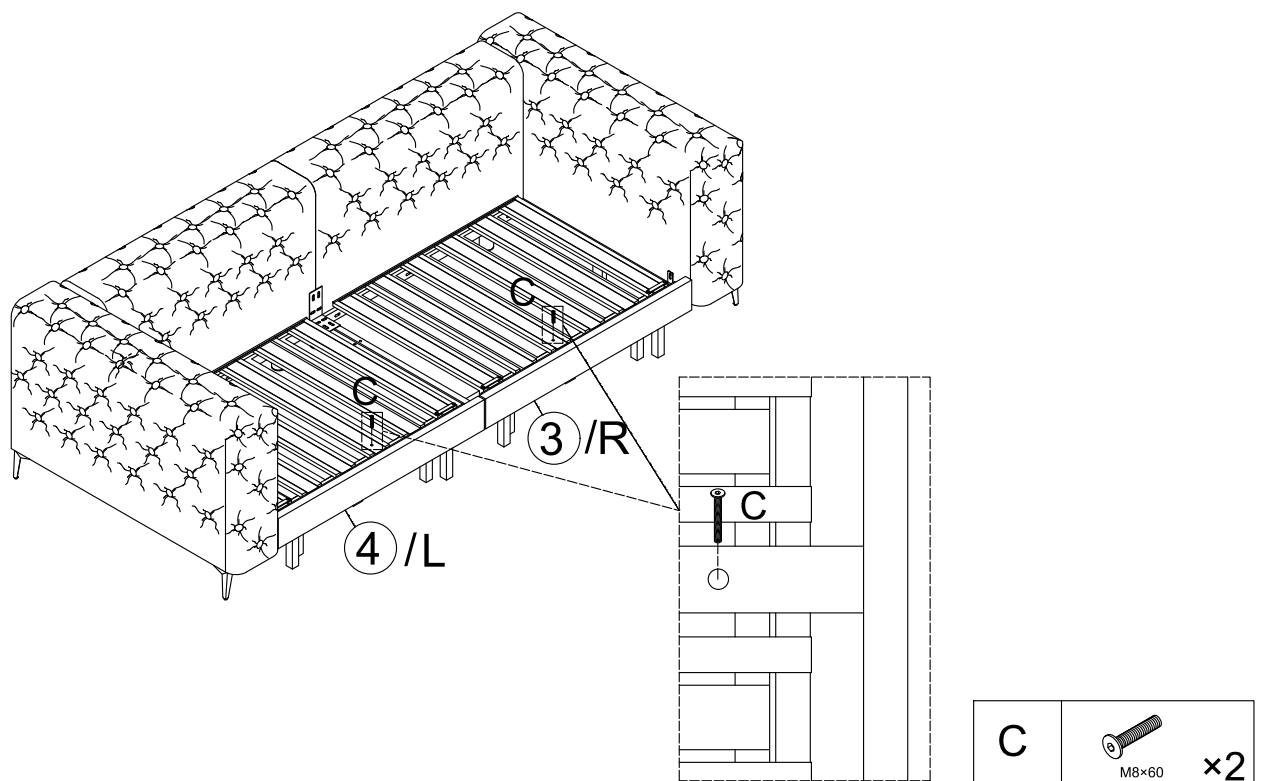


A	 M8x20 x4
Q	 x2

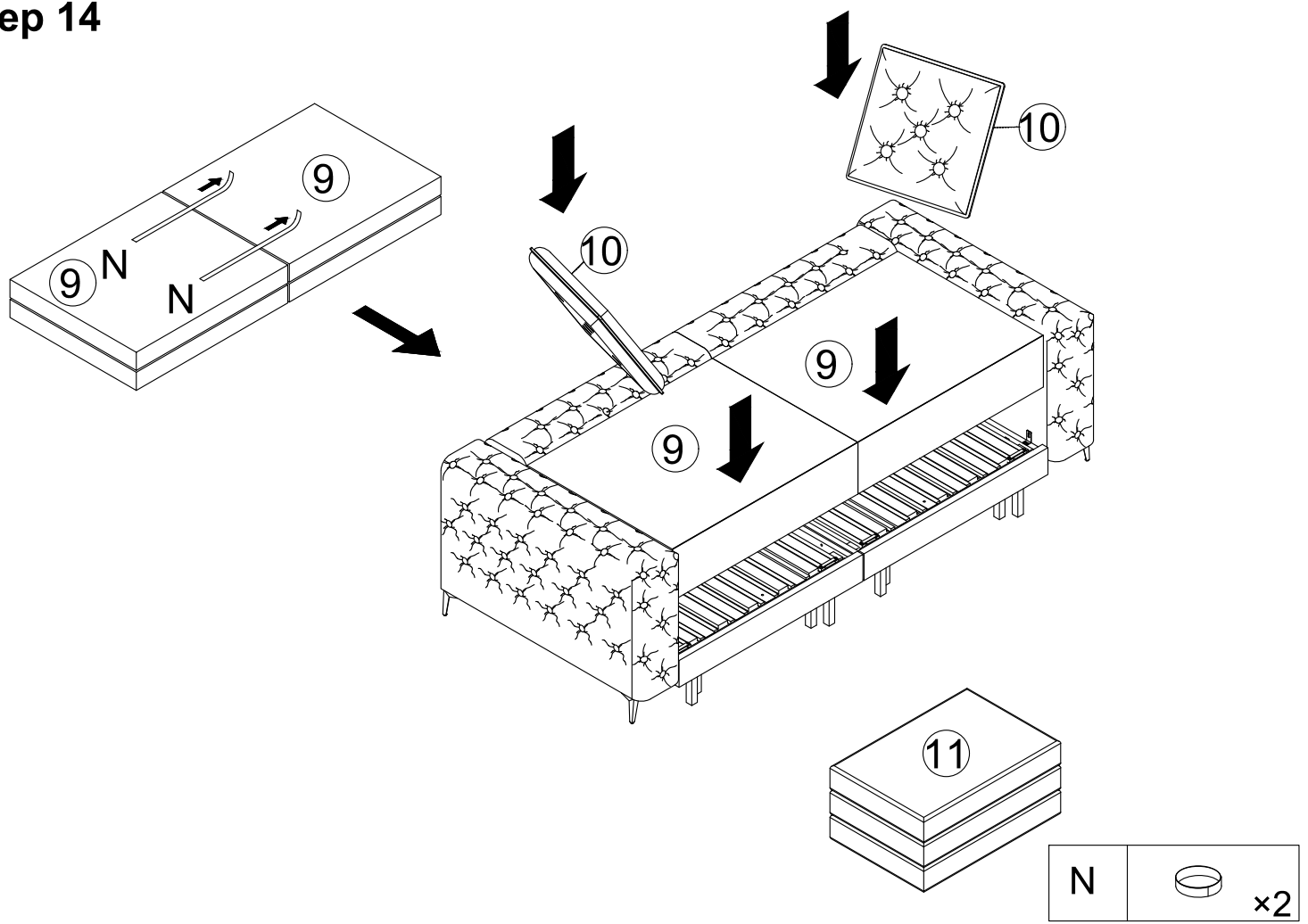
Step 12



Step 13



Step 14



Step 15

