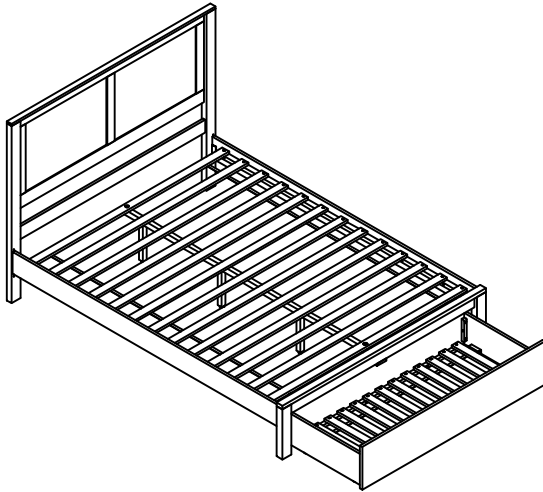


# ASSEMBLY INSTRUCTION

## DESCRIPTION: QUEEN BED

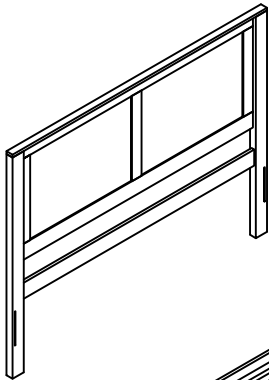
Caution: Please read instructions thoroughly before unpacking assembly parts. Sharp, exposed staple tips can cause injury. Therefore, for your protection, please remove any exposed staple used in packing.

1. Two people are required to safely assemble this product.
2. Be sure to check all hardware in case that small parts may come loose inside the carton during shipment.
3. Please do not over tighten screws or bolts.
4. Please unpack the box and place the contents on a flat, level and soft surface.

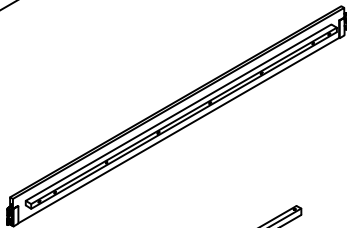


HARD WARE LIST			
PARTS	DESCRIPTION	SKETCH	Q'TY
A	SCREWS Ø8*Ø4*L25mm		52PCS
B	ALLEN KEY		1PC
C	JCBC BOLT Ø1/4"*L35mm		6PCS
D	SPRING WASHER Ø1/4"Ø12mm		6PCS
E	FLAT WASHER Ø1/4"Ø19mm		6PCS

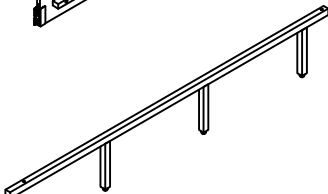
① \*1pc



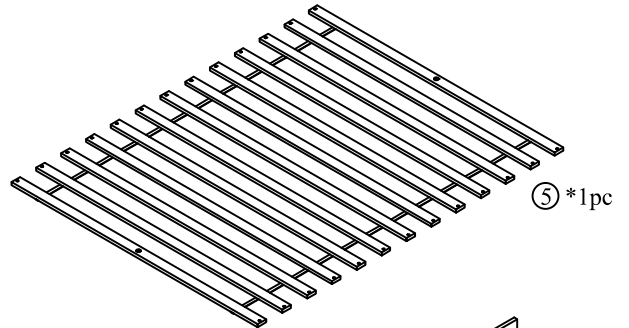
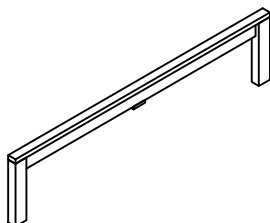
② \*2pcs



③ \*1pc

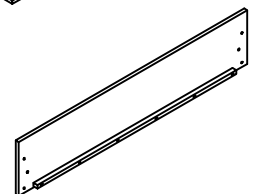


④ \*1pc

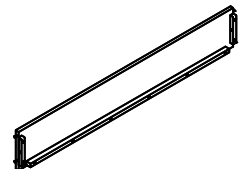


⑤ \*1pc

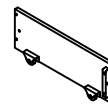
⑥ \*1pc



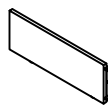
⑦ \*1pc



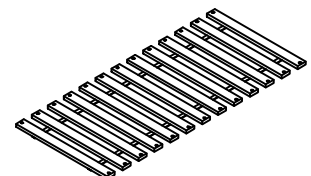
⑨ \*1pc



⑩ \*1pc



⑧ \*1pc



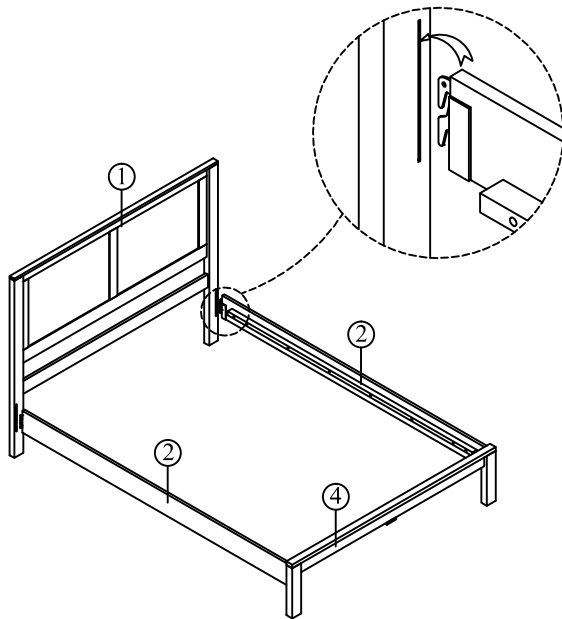
# ASSEMBLY INSTRUCTION

## DESCRIPTION: QUEEN BED

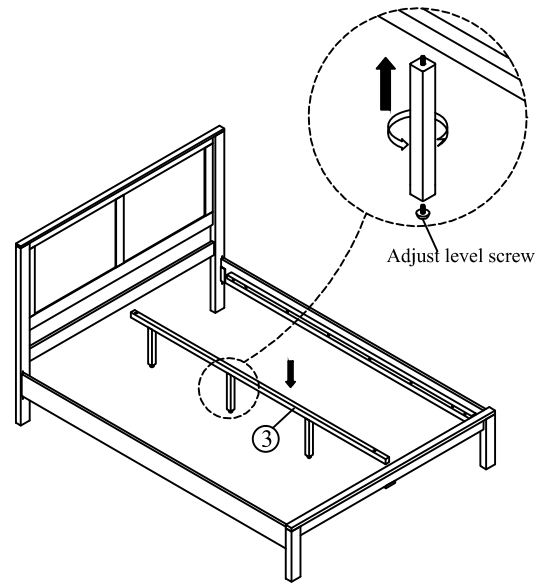
Caution: Please read instructions thoroughly before unpacking assembly parts. Sharp, exposed staple tips can cause injury. Therefore, for your protection, please remove any exposed staple used in packing.

1. Two people are required to safely assemble this product.
2. Be sure to check all hardware in case that small parts may come loose inside the carton during shipment.
3. Please do not over tighten screws or bolts.
4. Please unpack the box and place the contents on a flat, level and soft surface.

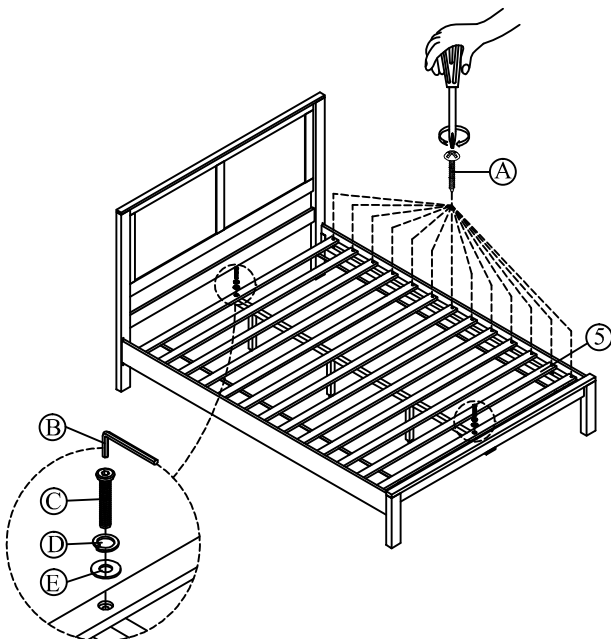
### STEP 1



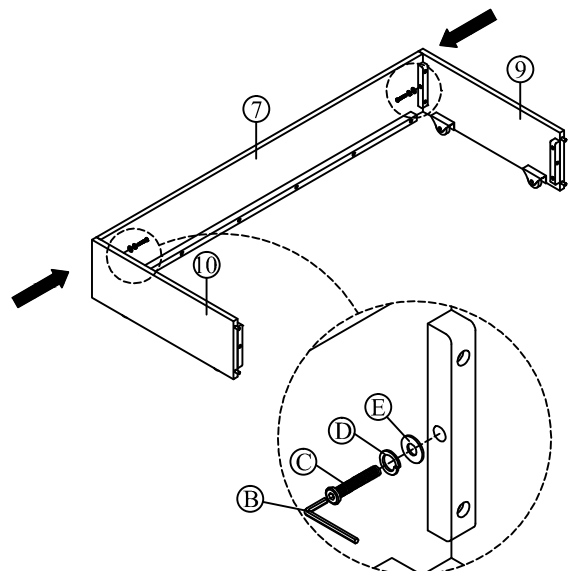
### STEP 2



### STEP 3



### STEP 4



# ASSEMBLY INSTRUCTION

## DESCRIPTION: QUEEN BED

Caution: Please read instructions thoroughly before unpacking assembly parts. Sharp, exposed staple tips can cause injury. Therefore, for your protection, please remove any exposed staple used in packing.

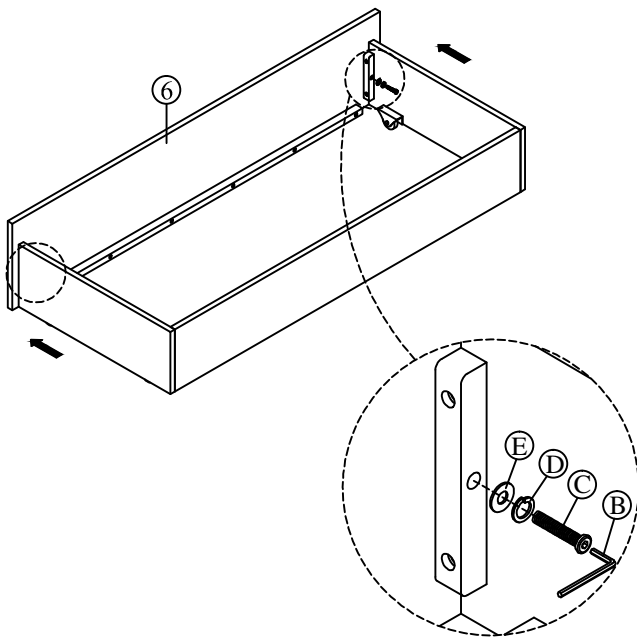
1. Two people are required to safely assemble this product.

2. Be sure to check all hardware in case that small parts may come loose inside the carton during shipment.

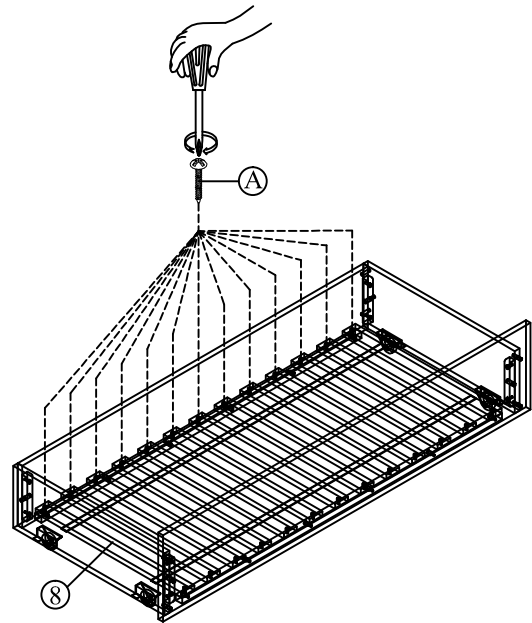
3. Please do not over tighten screws or bolts.

4. Please unpack the box and place the contents on a flat, level and soft surface.

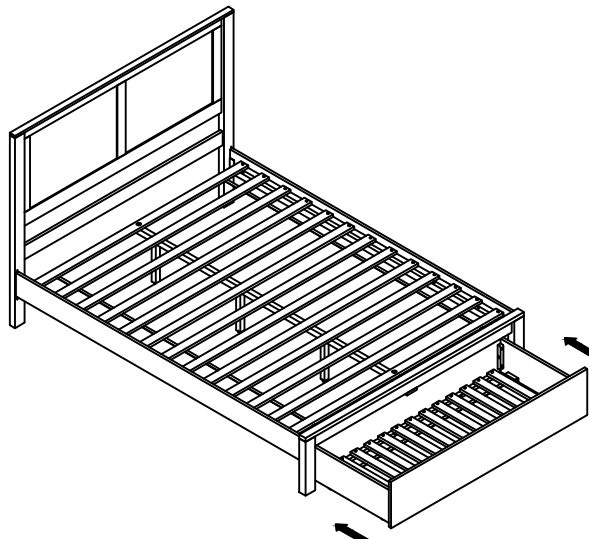
### STEP 5



### STEP 6



### STEP 7

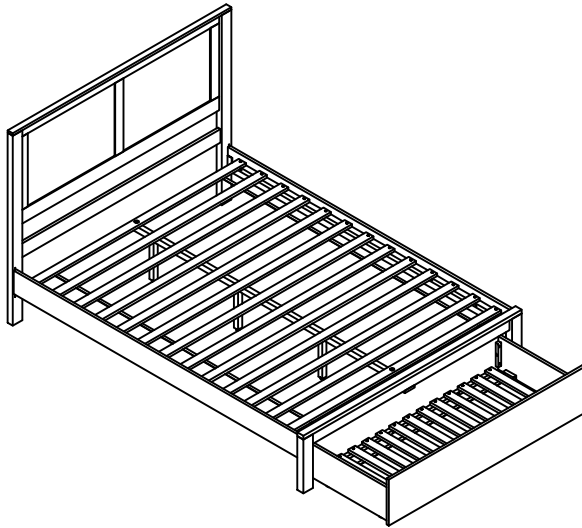


# ASSEMBLY INSTRUCTION

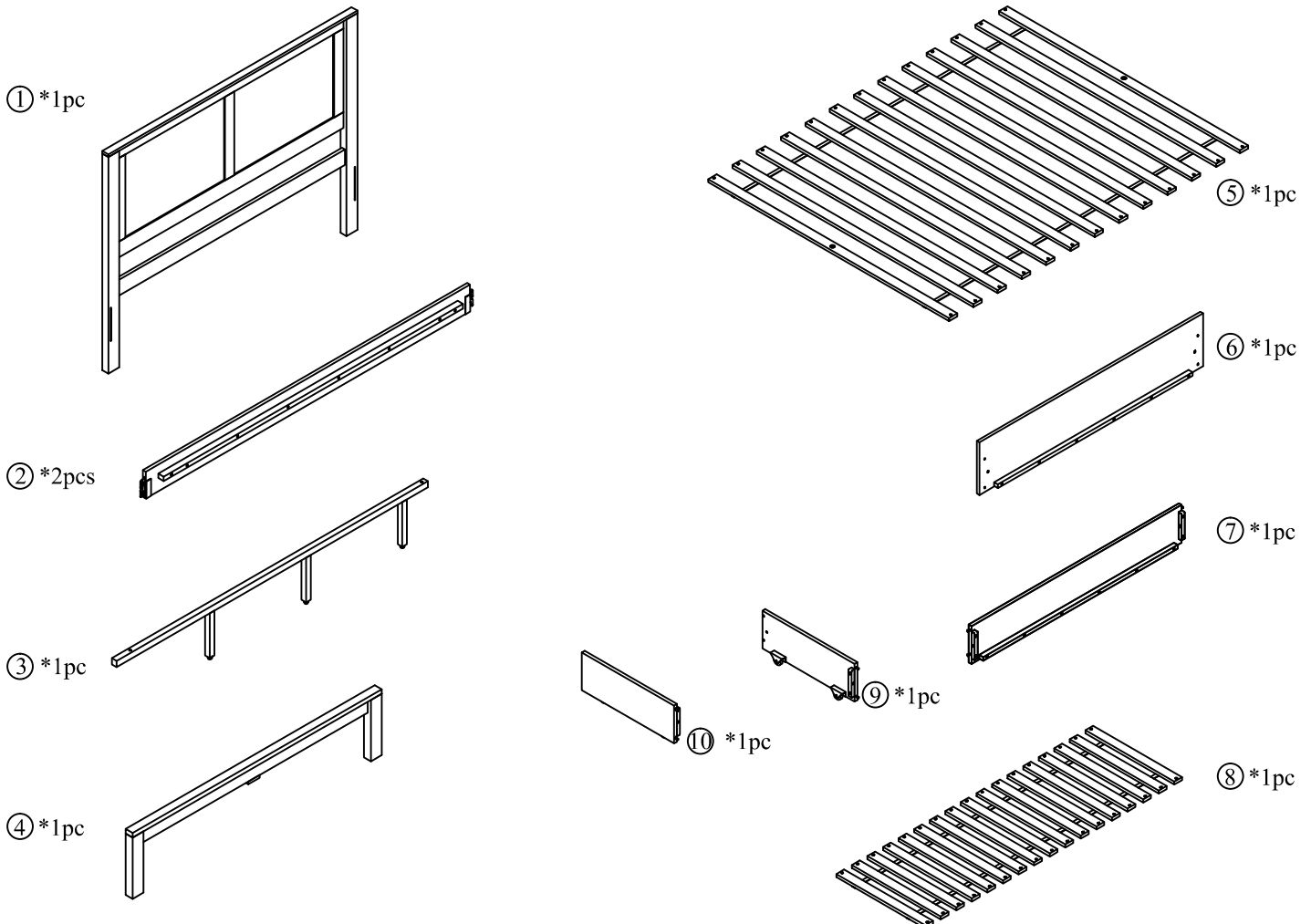
## DESCRIPTION: KING BED

Caution: Please read instructions thoroughly before unpacking assembly parts. Sharp, exposed staple tips can cause injury. Therefore, for your protection, please remove any exposed staple used in packing.

1. Two people are required to safely assemble this product.
2. Be sure to check all hardware in case that small parts may come loose inside the carton during shipment.
3. Please do not over tighten screws or bolts.
4. Please unpack the box and place the contents on a flat, level and soft surface.



HARD WARE LIST			
PARTS	DESCRIPTION	SKETCH	Q"TY
A	SCREWS Ø8*Ø4*L25mm		60PCS
B	ALLEN KEY		1PC
C	JCBC BOLT Ø1/4"*L35mm		6PCS
D	SPRING WASHER Ø1/4"Ø12mm		6PCS
E	FLAT WASHER Ø1/4"Ø19mm		6PCS



# ASSEMBLY INSTRUCTION

## DESCRIPTION: KING BED

Caution: Please read instructions thoroughly before unpacking assembly parts. Sharp, exposed staple tips can cause injury. Therefore, for your protection, please remove any exposed staple used in packing.

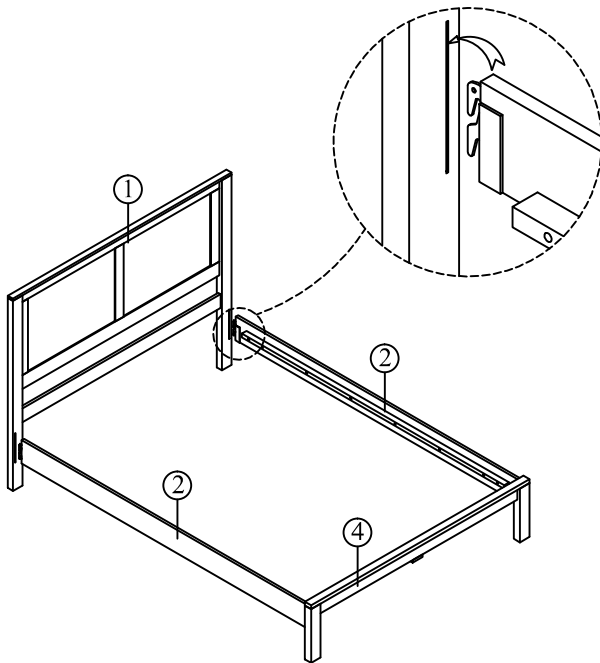
1. Two people are required to safely assemble this product.

2. Be sure to check all hardware in case that small parts may come loose inside the carton during shipment.

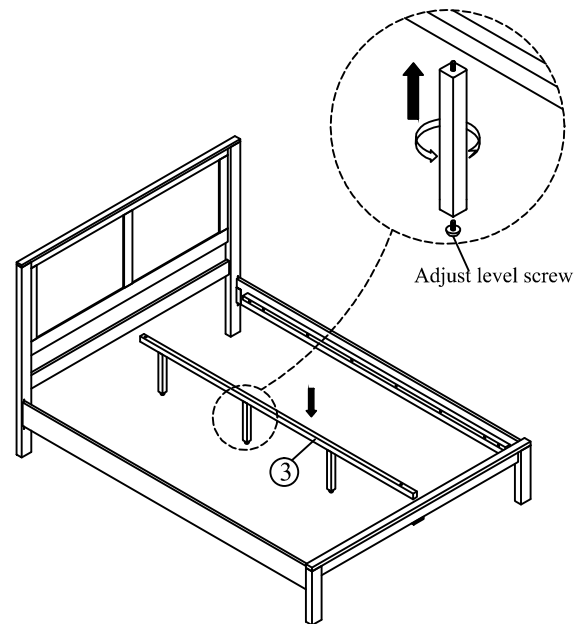
3. Please do not over tighten screws or bolts.

4. Please unpack the box and place the contents on a flat, level and soft surface.

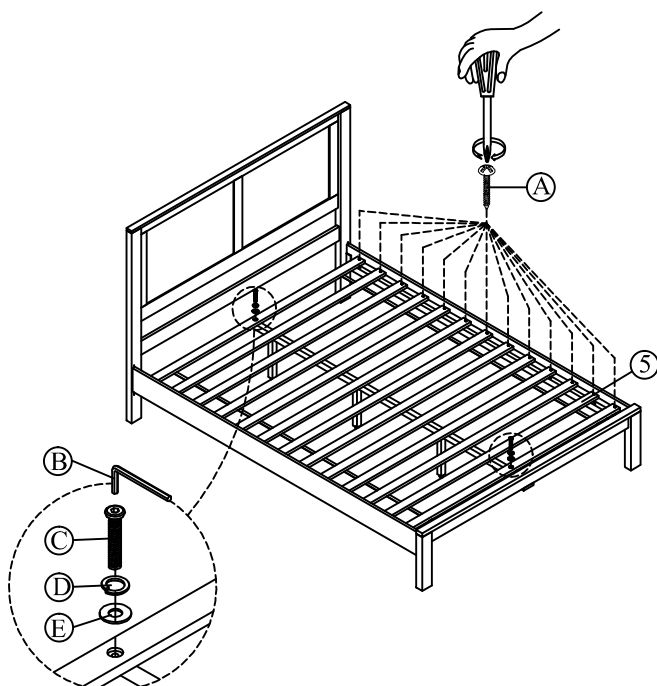
### STEP 1



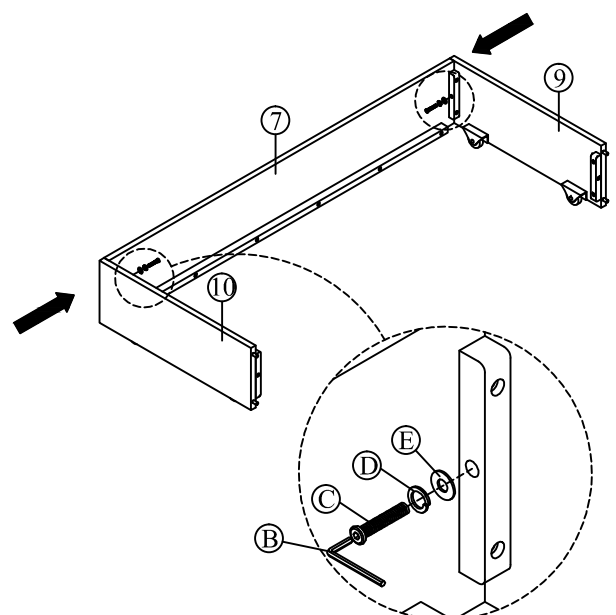
### STEP 2



### STEP 3



### STEP 4



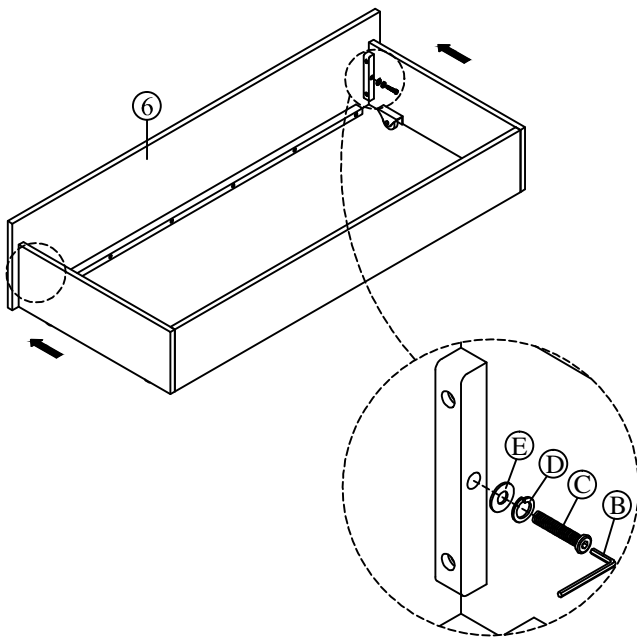
# ASSEMBLY INSTRUCTION

## DESCRIPTION: KING BED

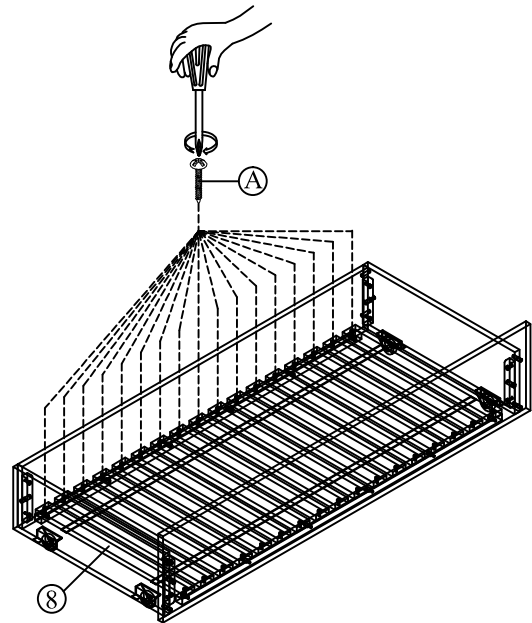
Caution: Please read instructions thoroughly before unpacking assembly parts. Sharp, exposed staple tips can cause injury. Therefore, for your protection, please remove any exposed staple used in packing.

1. Two people are required to safely assemble this product.
2. Be sure to check all hardware in case that small parts may come loose inside the carton during shipment.
3. Please do not over tighten screws or bolts.
4. Please unpack the box and place the contents on a flat, level and soft surface.

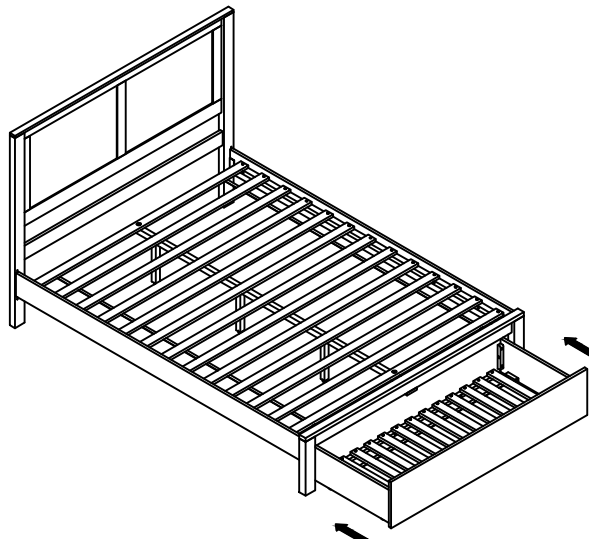
### STEP 5



### STEP 6



### STEP 7

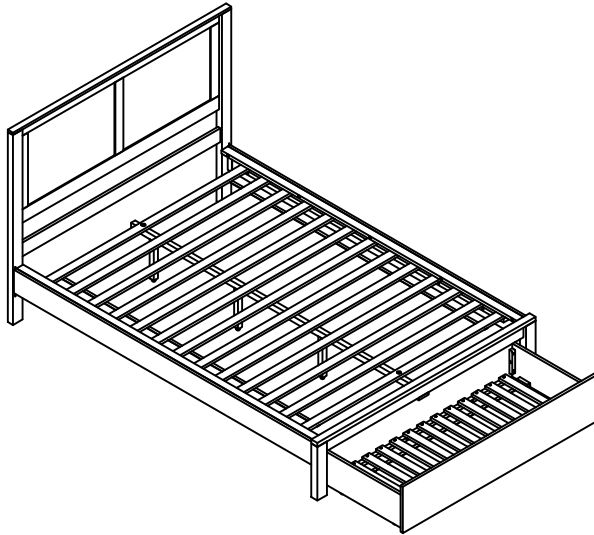


# ASSEMBLY INSTRUCTION

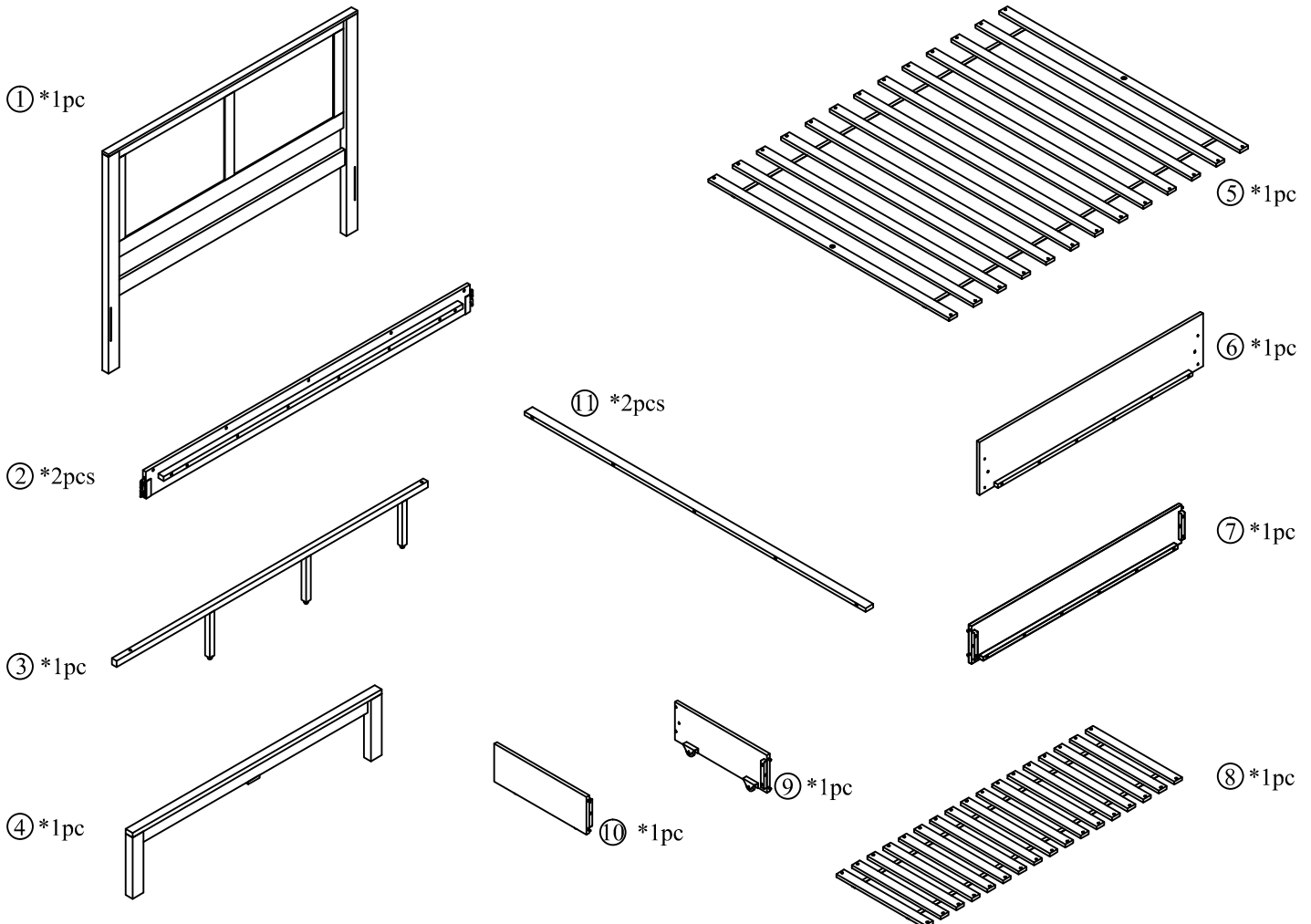
## DESCRIPTION: CAL KING BED

Caution: Please read instructions thoroughly before unpacking assembly parts. Sharp, exposed staple tips can cause injury. Therefore, for your protection, please remove any exposed staple used in packing.

1. Two people are required to safely assemble this product.
2. Be sure to check all hardware in case that small parts may come loose inside the carton during shipment.
3. Please do not over tighten screws or bolts.
4. Please unpack the box and place the contents on a flat, level and soft surface.



HARD WARE LIST			
PARTS	DESCRIPTION	SKETCH	Q'TY
A	SCREWS Ø8*Ø4*L25mm		60PCS
B	ALLEN KEY		1PC
C	JCBC BOLT Ø1/4"*L35mm		16PCS
D	SPRING WASHER Ø1/4"Ø12mm		6PCS
E	FLAT WASHER Ø1/4"Ø19mm		6PCS



# ASSEMBLY INSTRUCTION

## DESCRIPTION: CAL KING BED

Caution: Please read instructions thoroughly before unpacking assembly parts. Sharp, exposed staple tips can cause injury. Therefore, for your protection, please remove any exposed staple used in packing.

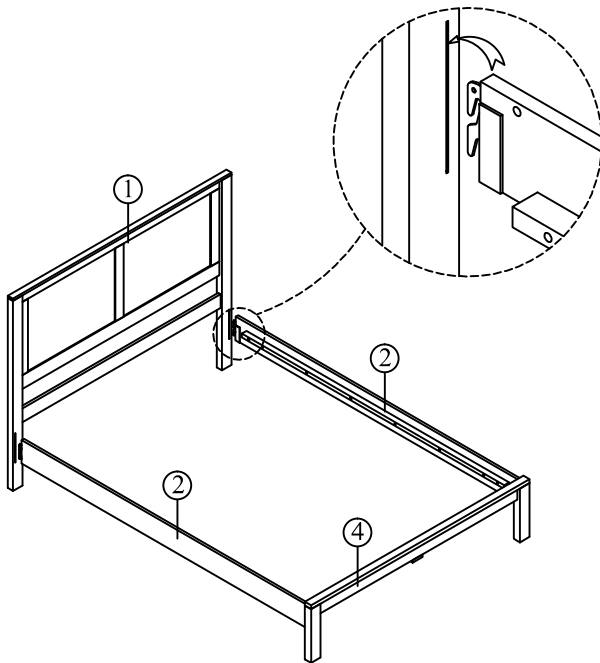
1. Two people are required to safely assemble this product.

2. Be sure to check all hardware in case that small parts may come loose inside the carton during shipment.

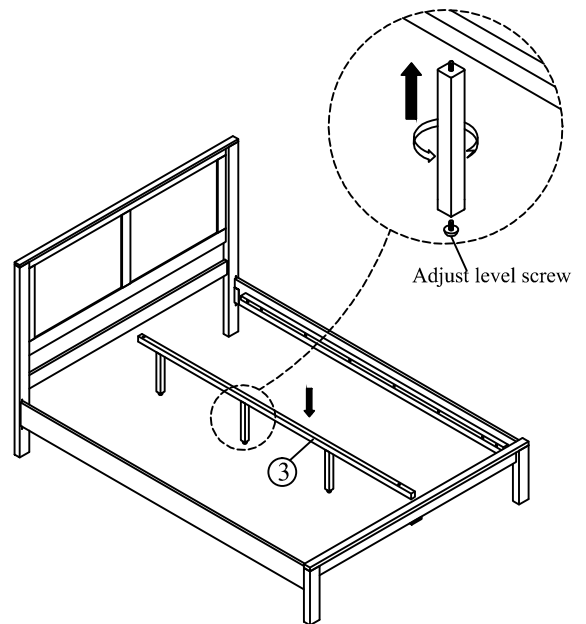
3. Please do not over tighten screws or bolts.

4. Please unpack the box and place the contents on a flat, level and soft surface.

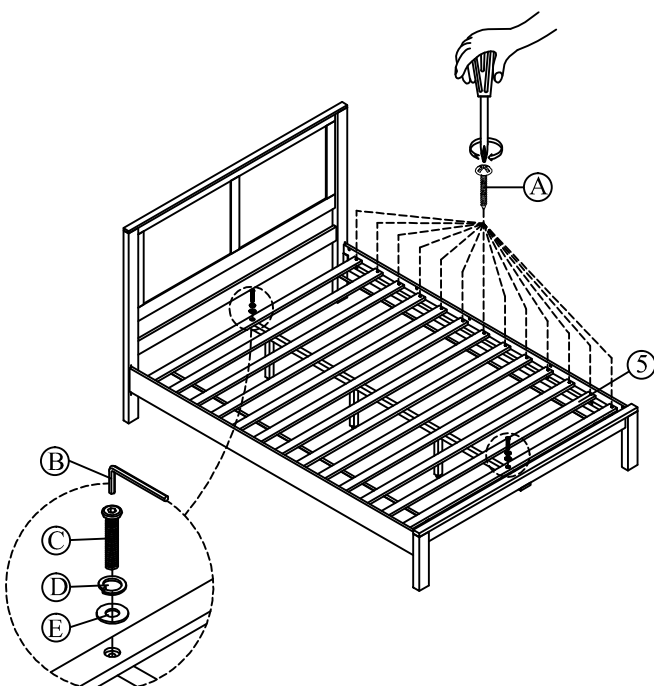
### STEP 1



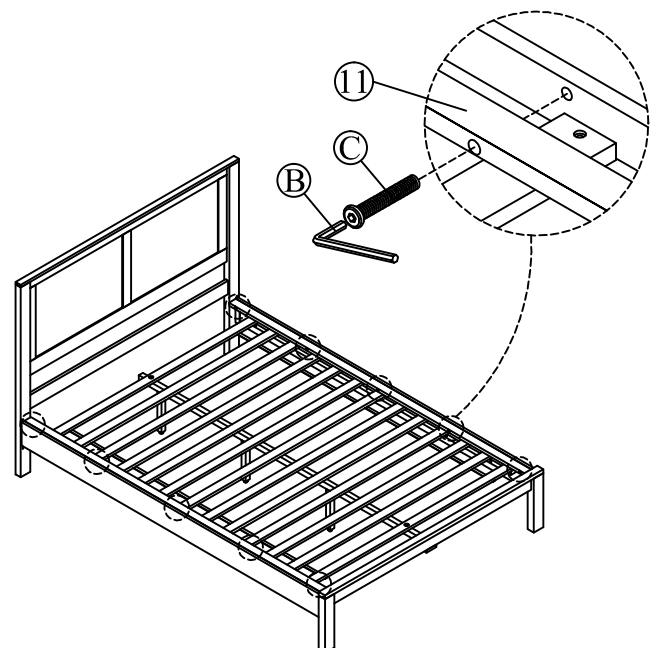
### STEP 2



### STEP 3



### STEP 4



# ASSEMBLY INSTRUCTION

## DESCRIPTION: CAL KING BED

Caution: Please read instructions thoroughly before unpacking assembly parts. Sharp, exposed staple tips can cause injury. Therefore, for your protection, please remove any exposed staple used in packing.

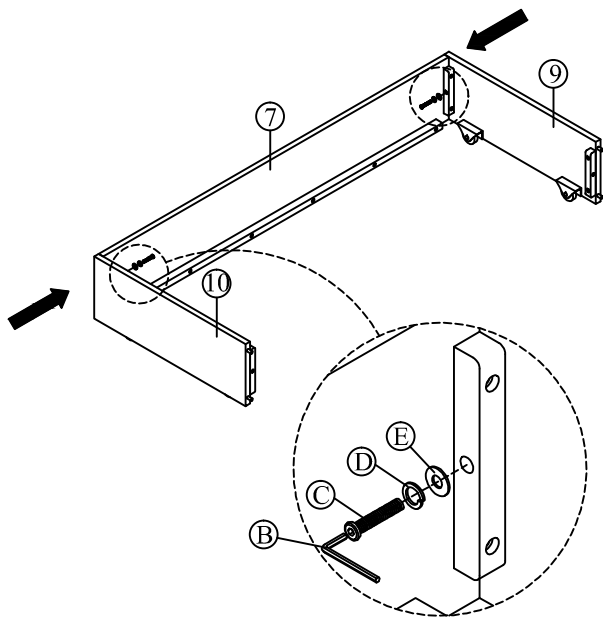
1. Two people are required to safely assemble this product.

2. Be sure to check all hardware in case that small parts may come loose inside the carton during shipment.

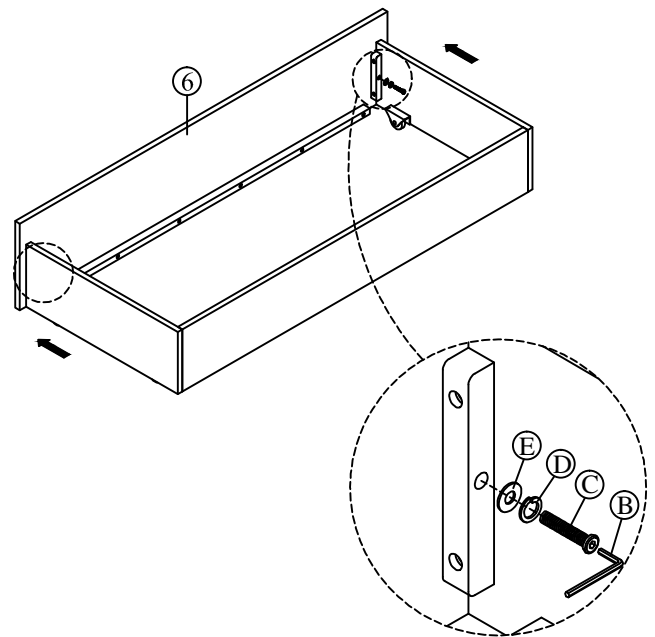
3. Please do not over tighten screws or bolts.

4. Please unpack the box and place the contents on a flat, level and soft surface.

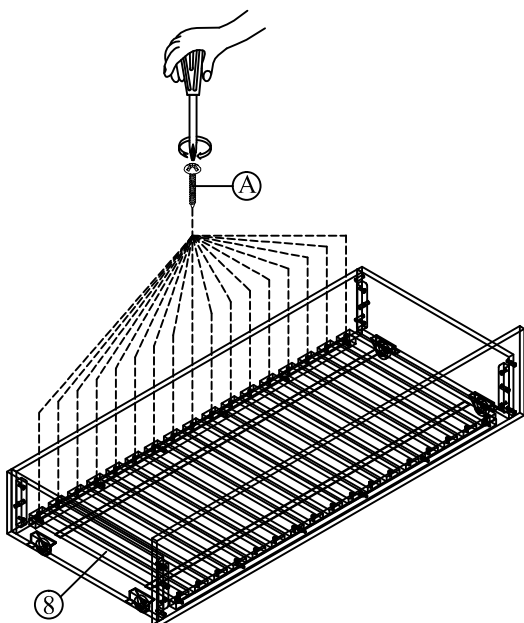
### STEP 5



### STEP 6



### STEP 7



### STEP 8

