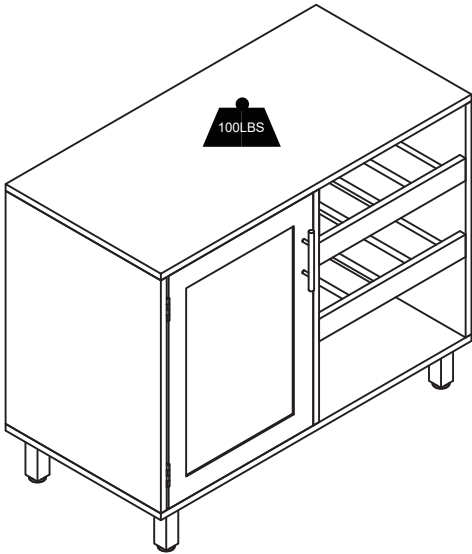


Thank you for your purchase!



Bar and Sideboard

ASSEMBLY INSTRUCTIONS

Before You Begin: Phillips screwdriver required (Not Included)

Please identify all component parts and hardware pieces required before you begin. Carefully remove all of the components from the packaging and set aside for assembly. Assemble on a soft surface to prevent scratching during assembly.

Caution:

Tighten all components securely before use. Failure to do so may result in personal injury. DO NOT use any sharp objects to open plastic wrapped components as damage to product or components may result.

Warning:

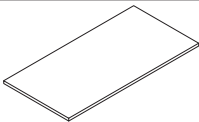
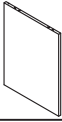
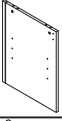
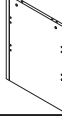
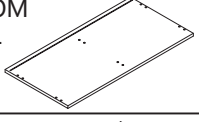
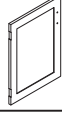
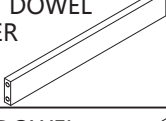
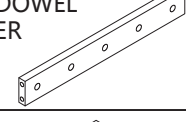
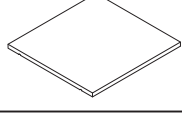
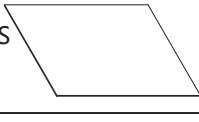
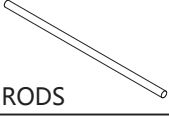
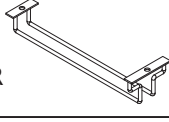



CHOKING HAZARD - Small Parts. Adult Assembly Required.

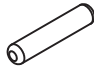





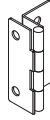



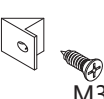



DO NOT ALLOW CHILDREN TO CLIMB ON FURNITURE

Serious or fatal injuries can occur from furniture tipping over. You must install Tipping Restraint Hardware (where included) to help prevent the unit from tipping and causing accidental injury, instability, death or damage. The tipping restraint is intended only as a safety measure, it is not a substitute for proper adult supervision.

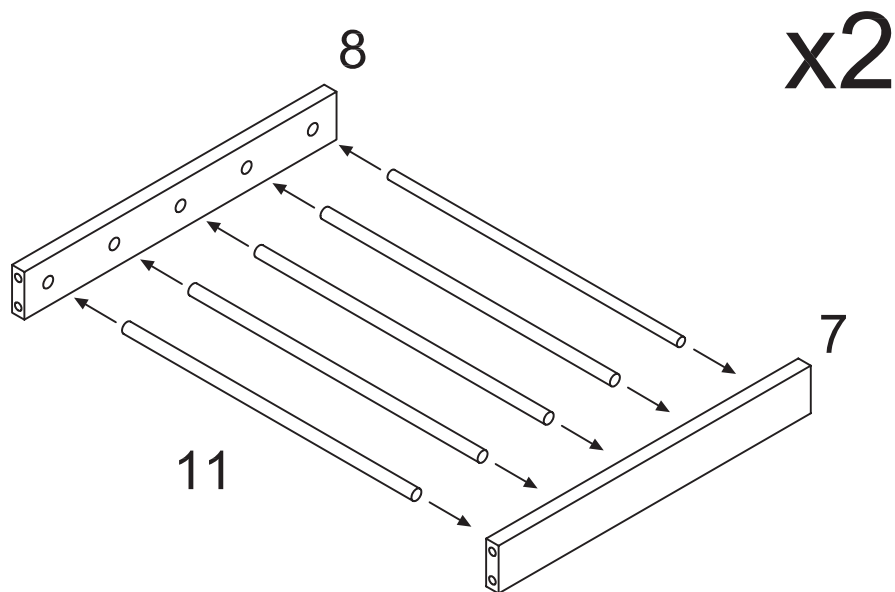
To help prevent furniture from tipping over it must be permanently attached to the wall. Anti-Tip Safety Wall Straps suitable for the unit weight and wall materials (if not included) should be purchased and installed.

PARTS

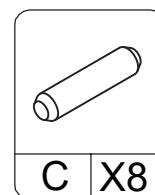
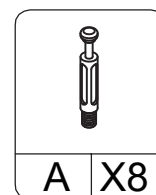
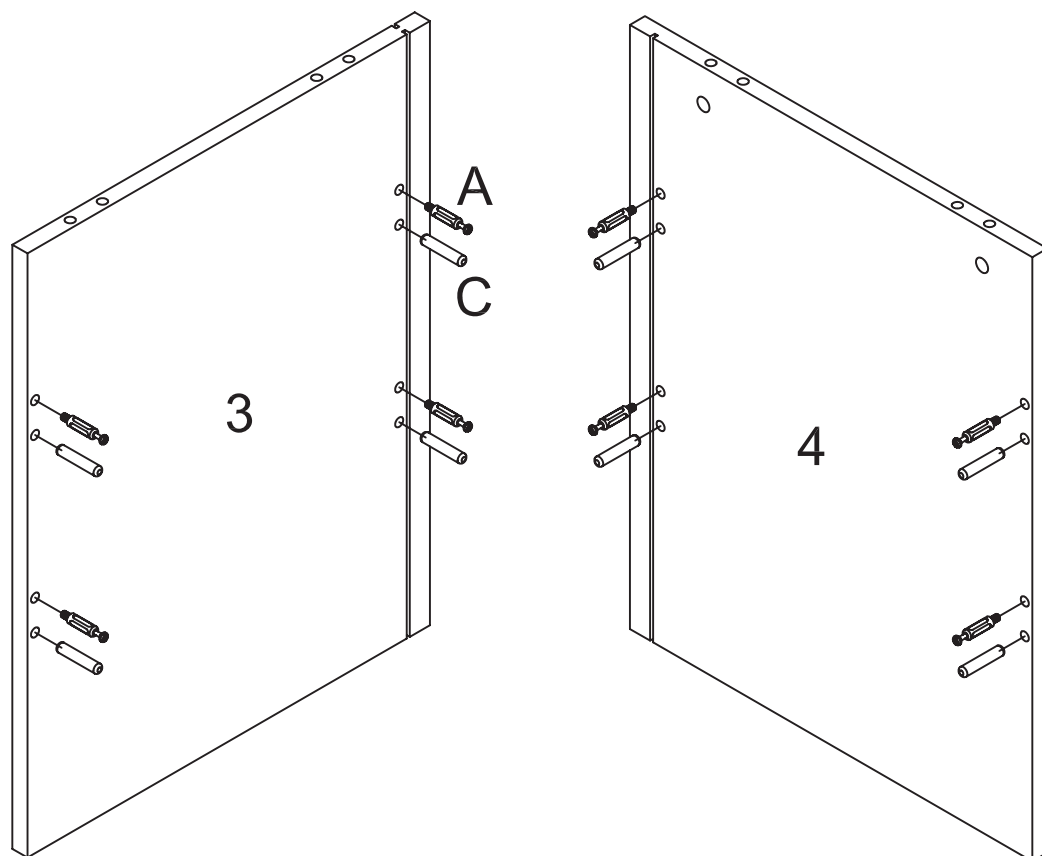
1.	TOP 	1PC
2.	LEFT PANEL 	1PC
3.	MIDDLE PANEL 	1PC
4.	RIGHT PANEL 	1PC
5.	BOTTOM PANEL 	1PC
6.	DOOR 	1PC
7.	FRONT DOWEL HOLDER 	2PCS
8.	REAR DOWEL HOLDER 	2PCS
9.	SHELF 	1PC
10.	REAR PANELS 	2PCS
11.	DOWEL RODS 	10PCS
12.	GLASS HOLDER RACK 	3PCS
13.	FEET 	4PCS
A.	MALE CAMLOCK 	14PCS
B.	FEMALE CAMLOCK 	14PCS

C.	WOOD DOWELS 	20PCS
D.	HEXAGON SOCKET HEAD SCREW  M6*10mm	22PCS
E.	SHELF SUPPORT PINS 	4PCS
F.	SCREW  M5*50mm	6PCS
G.	HANDLE SCREW  M4*18mm	2PCS
H.	SELF-TAPPING SCREW  M3.5*14mm	10PCS
I.	HINGES 	2PCS
J.	FLOOR GLIDES 	4PCS
K.	DOOR HANDLE 	1PC
L.	DOOR LATCH 	1PC
M.	PLASTIC WEDGES  M3.5*14mm	8PCS
N.	SELF-TAPPING SCREW  M3*14mm	4PCS
O.	STRIKE PLATE 	1PC
	ALLEN WRENCH  M4	1PC

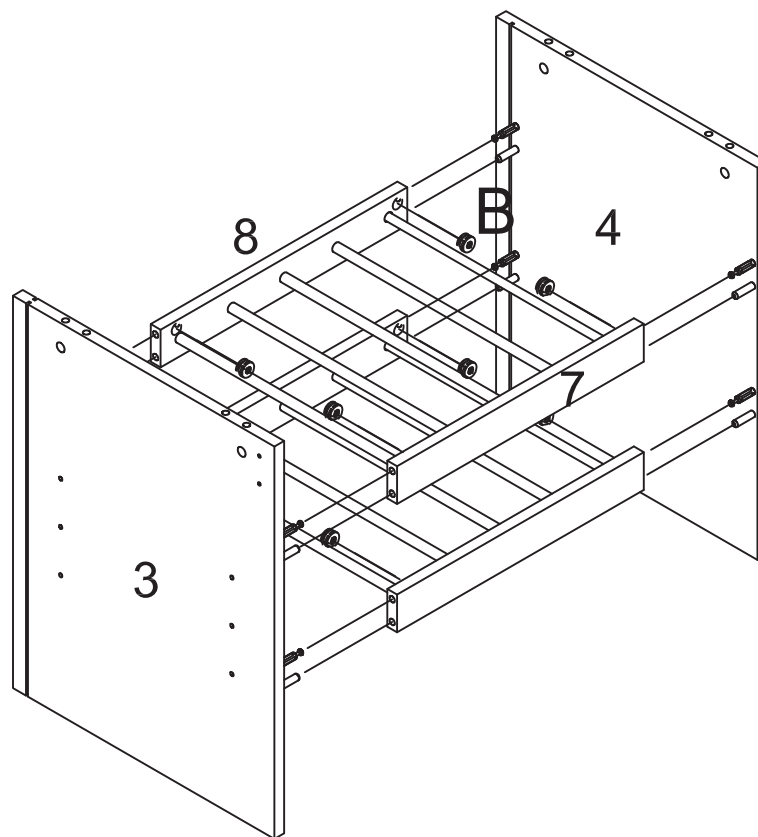
STEP 1



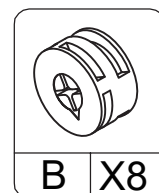
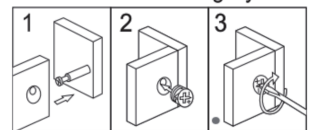
STEP 2



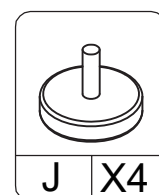
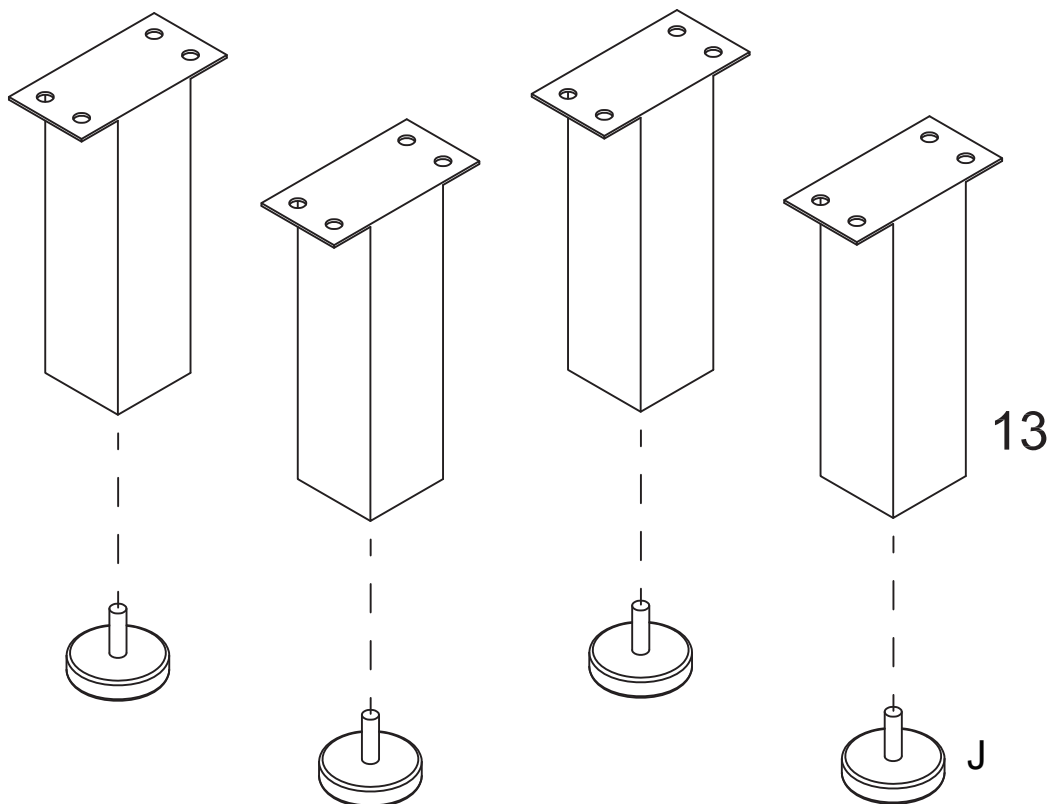
STEP 3



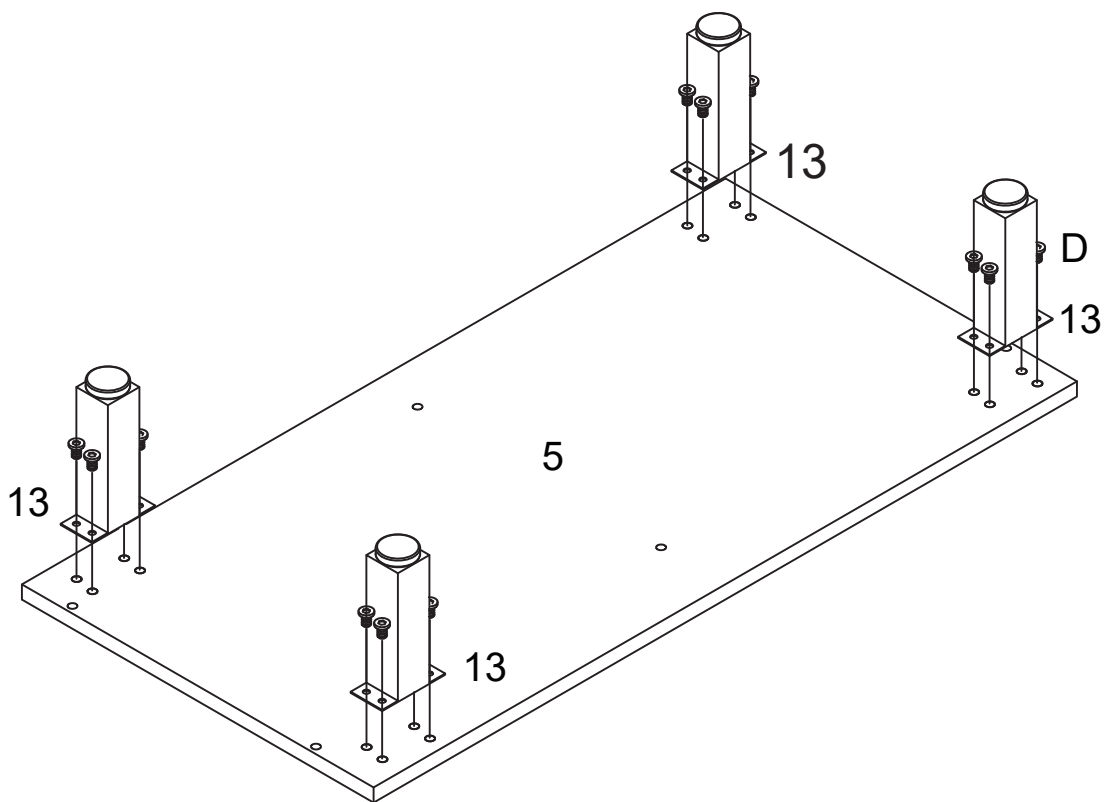
Cam Lock Fastening System



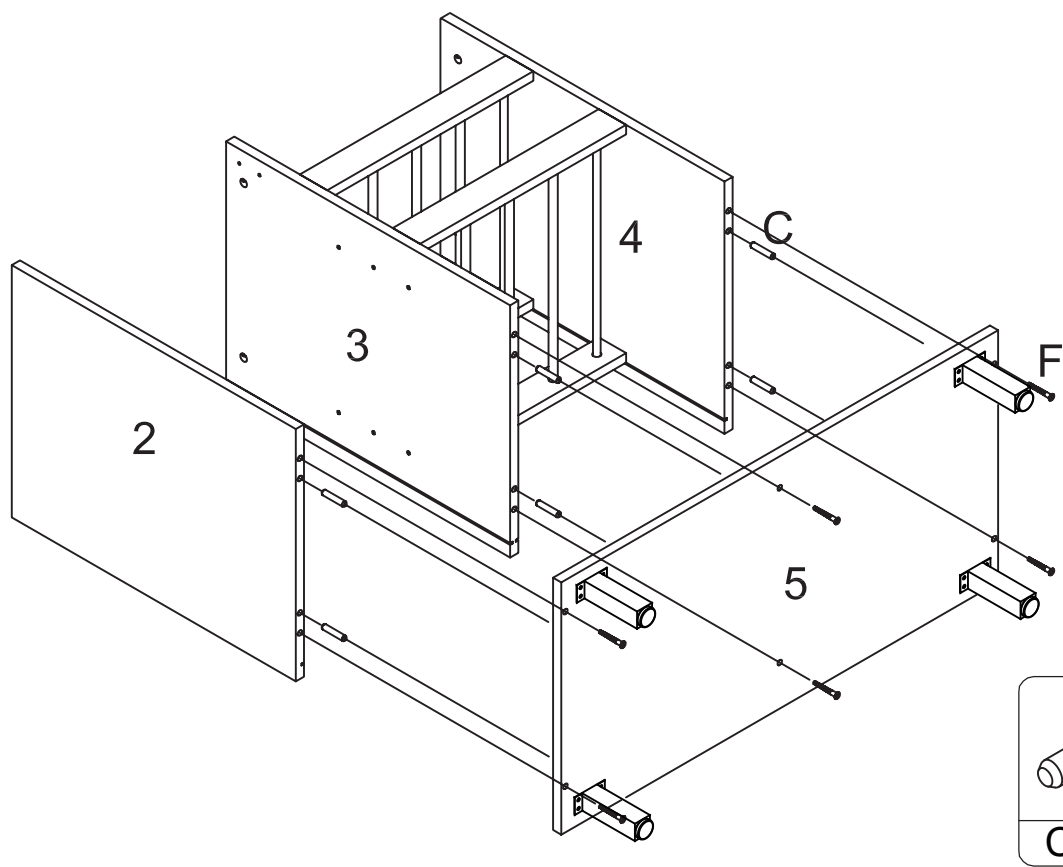
STEP 4



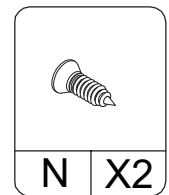
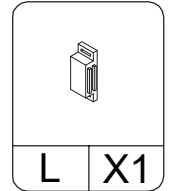
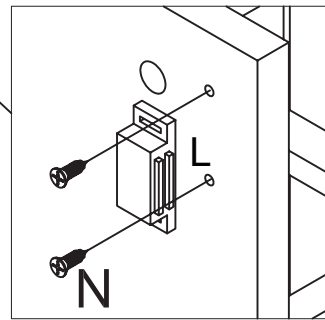
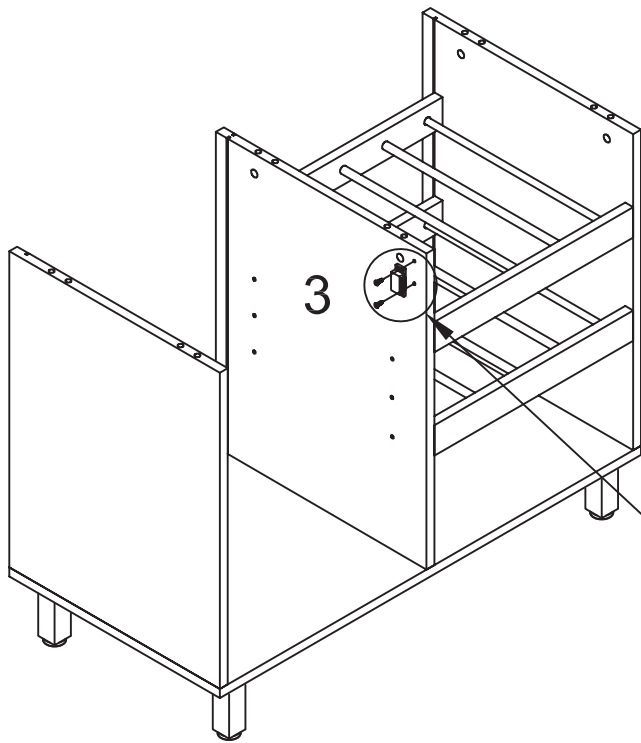
STEP 5



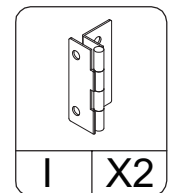
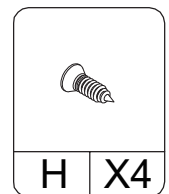
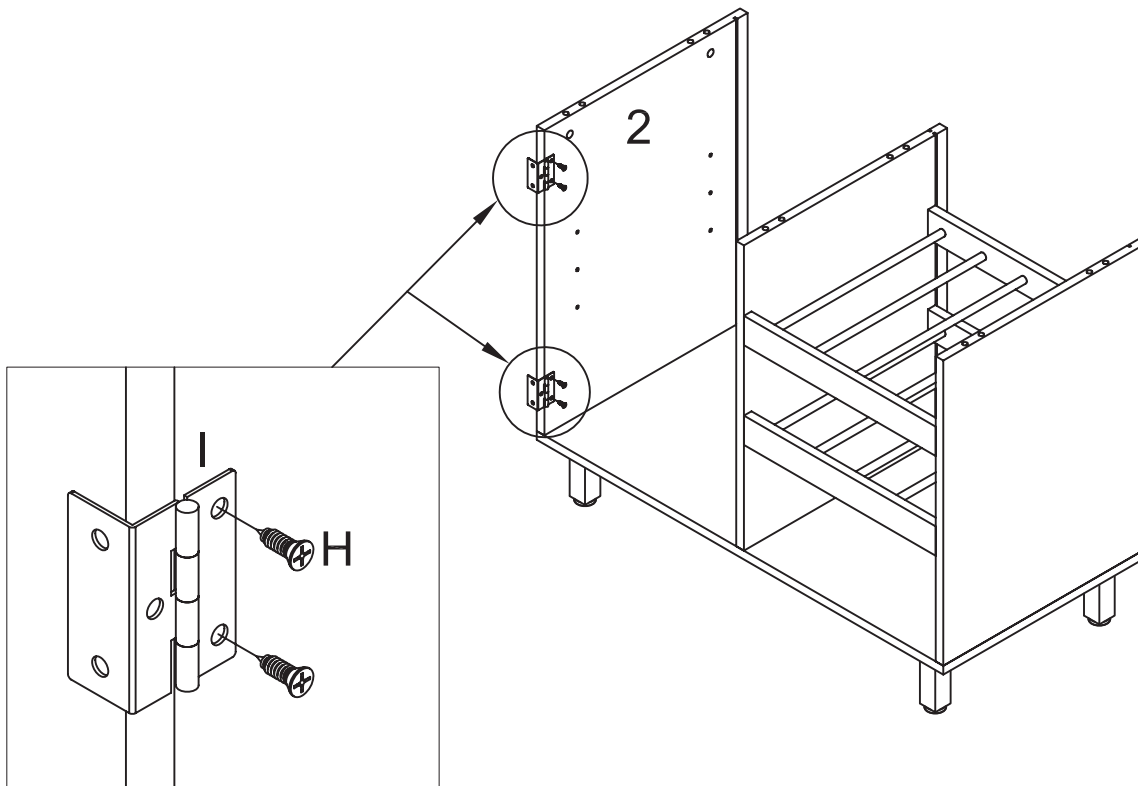
STEP 6



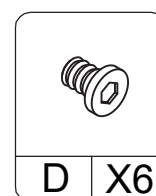
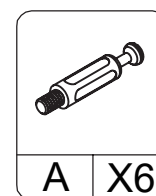
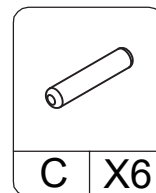
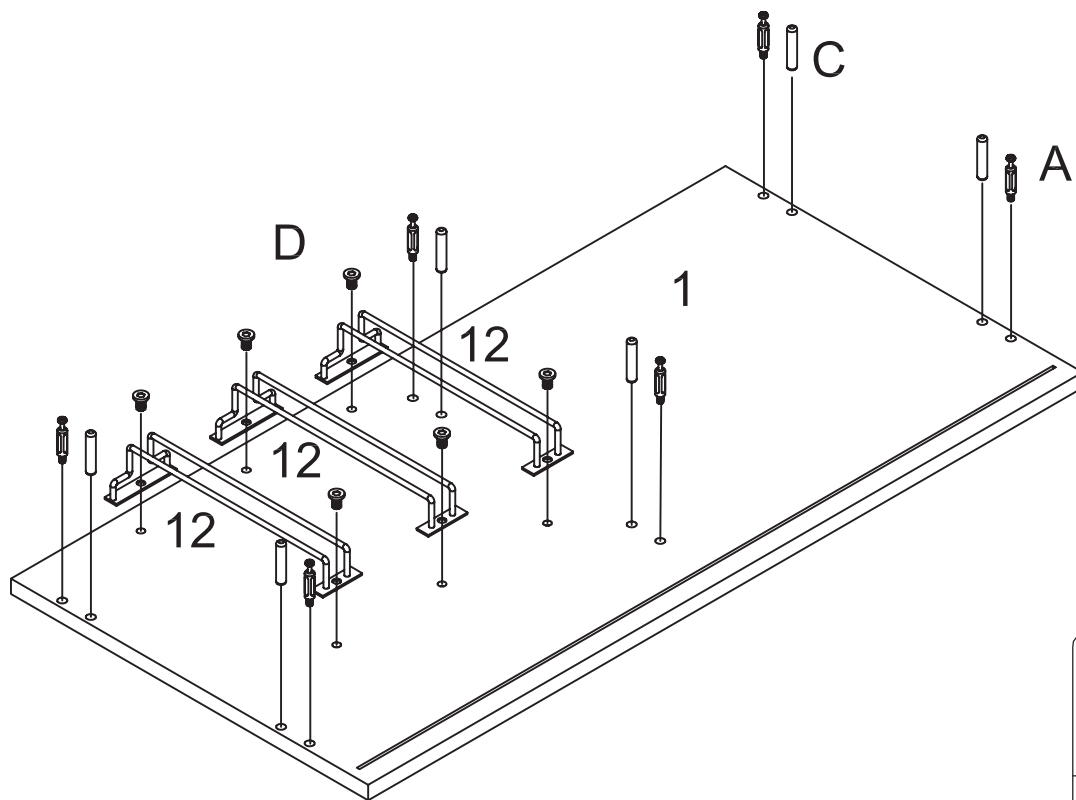
STEP 7



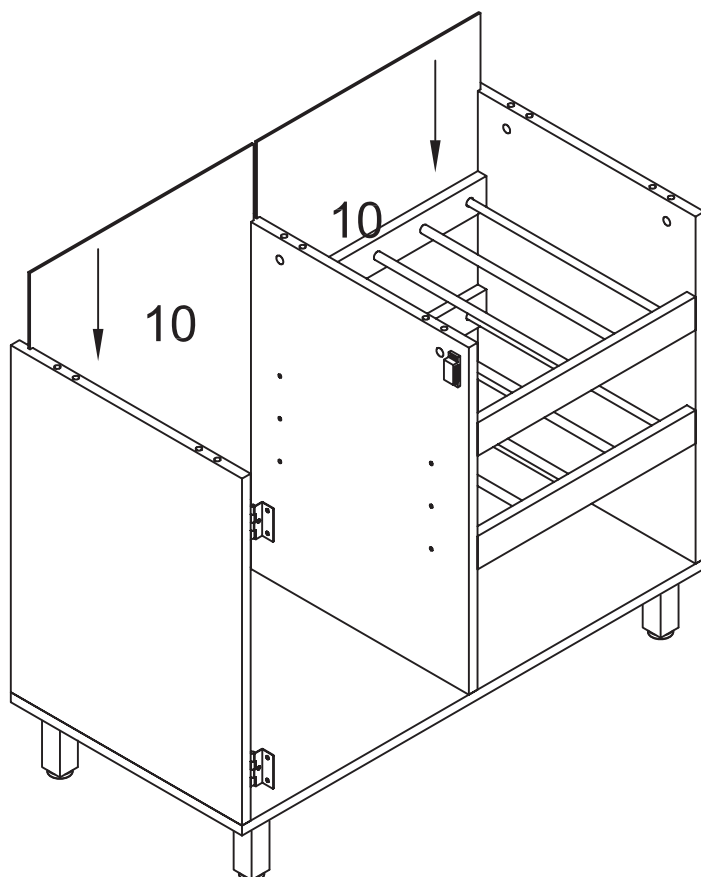
STEP 8



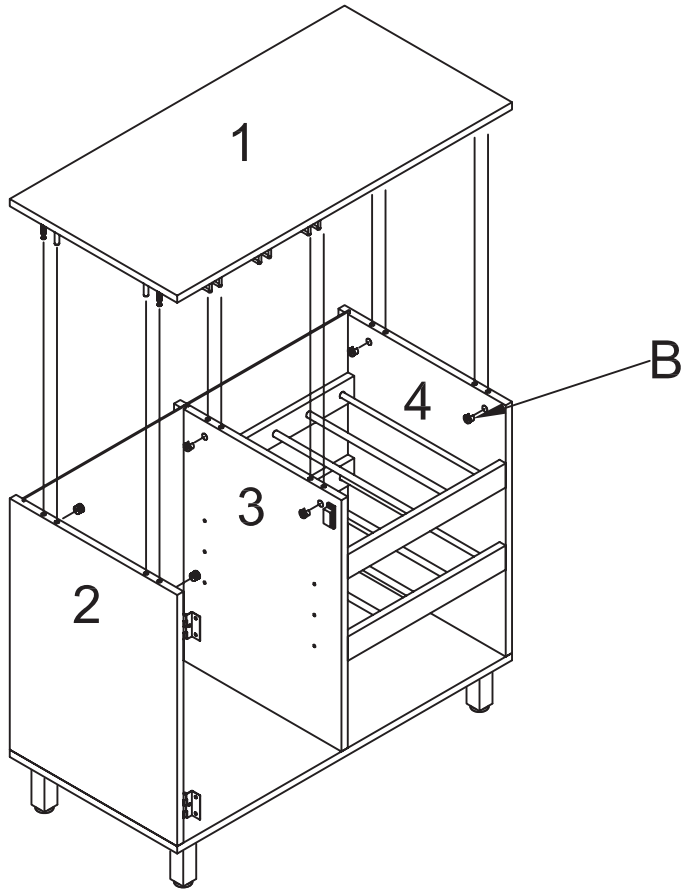
STEP 9



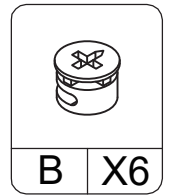
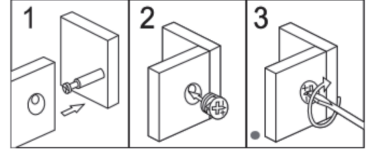
STEP 10



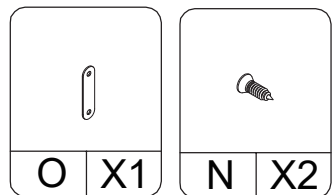
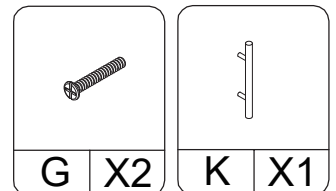
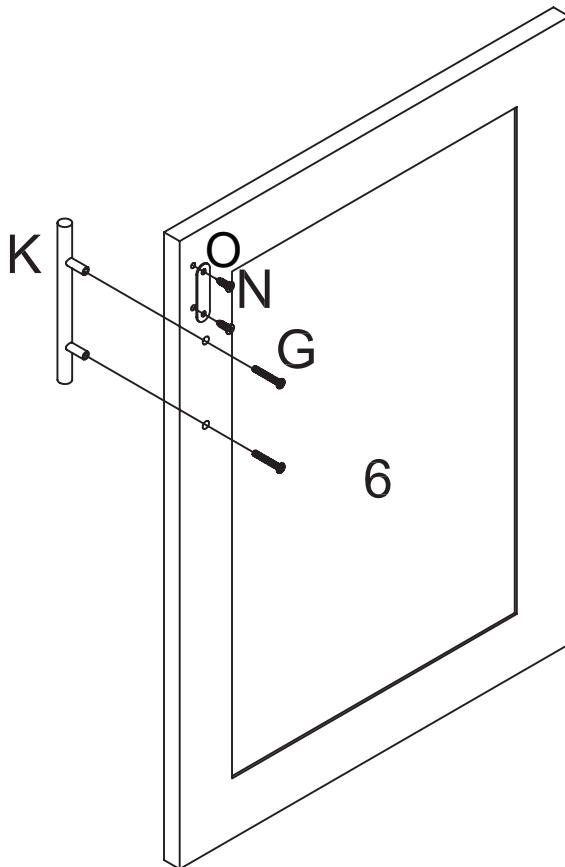
STEP 11



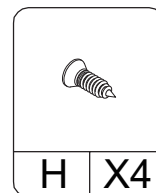
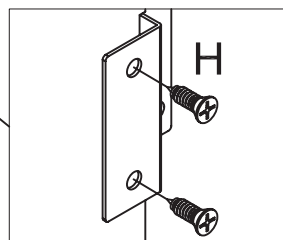
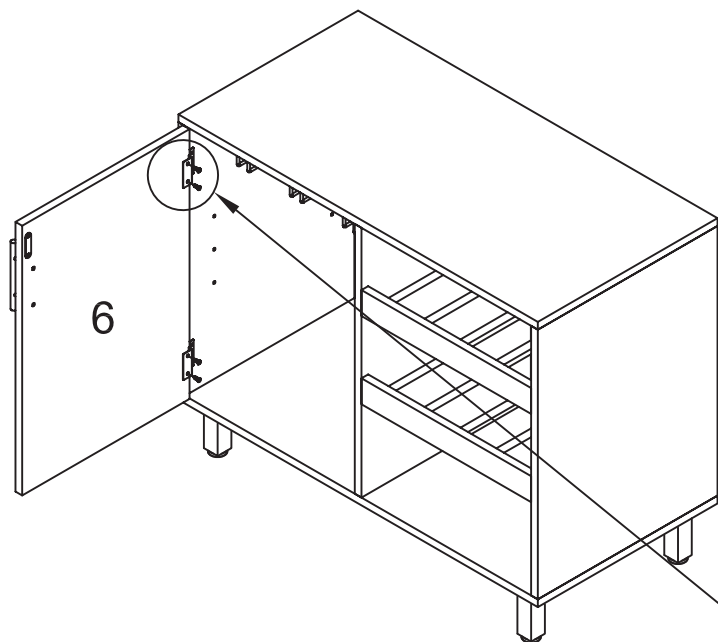
Cam Lock Fastening System



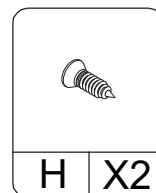
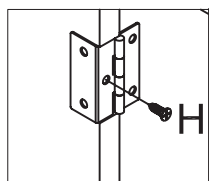
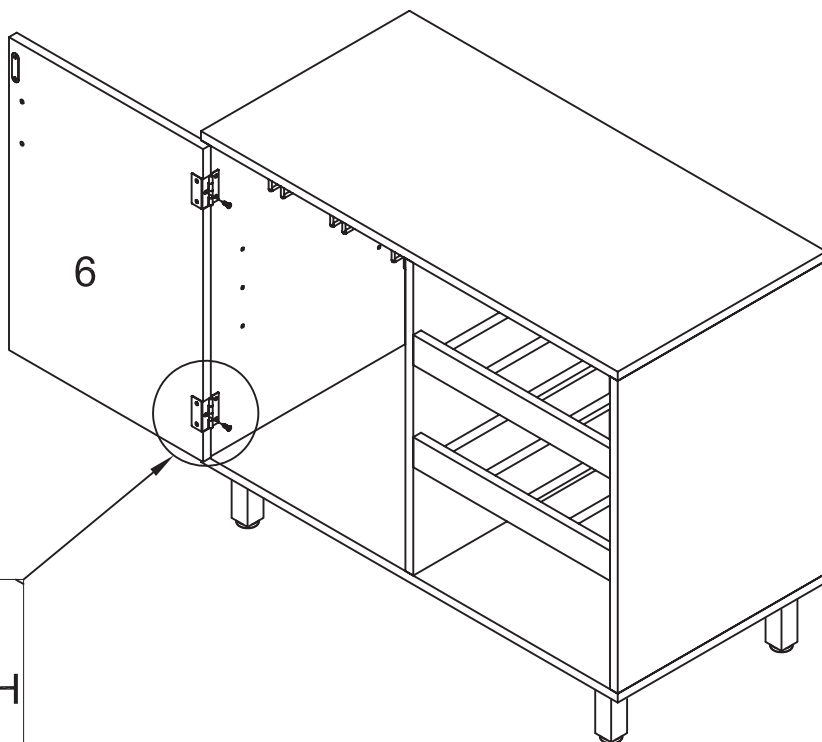
STEP 12



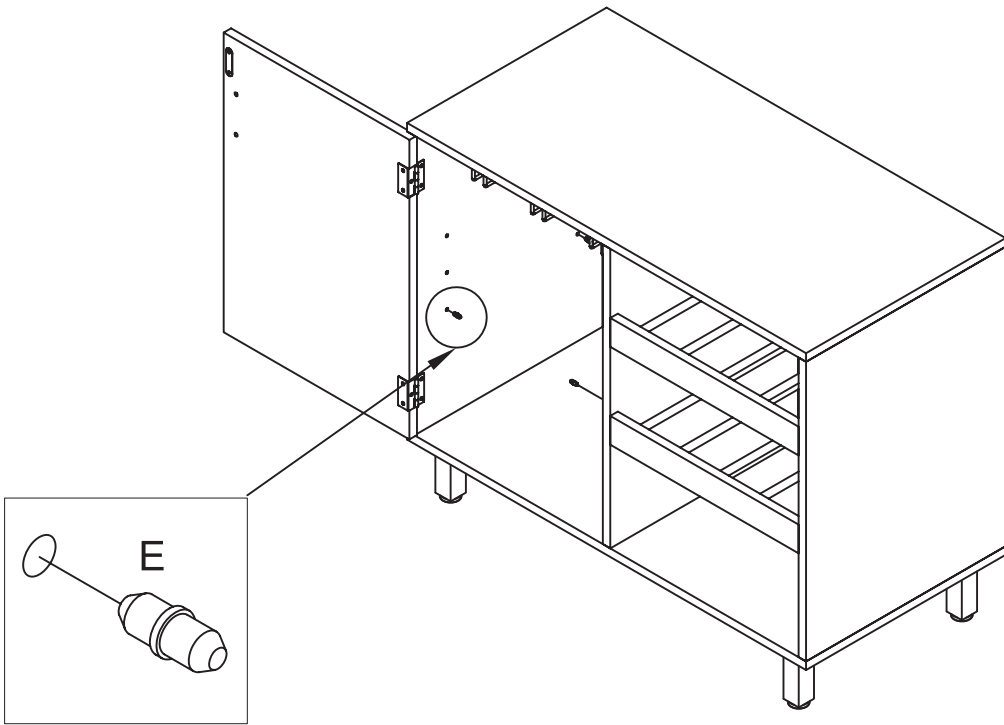
STEP 13



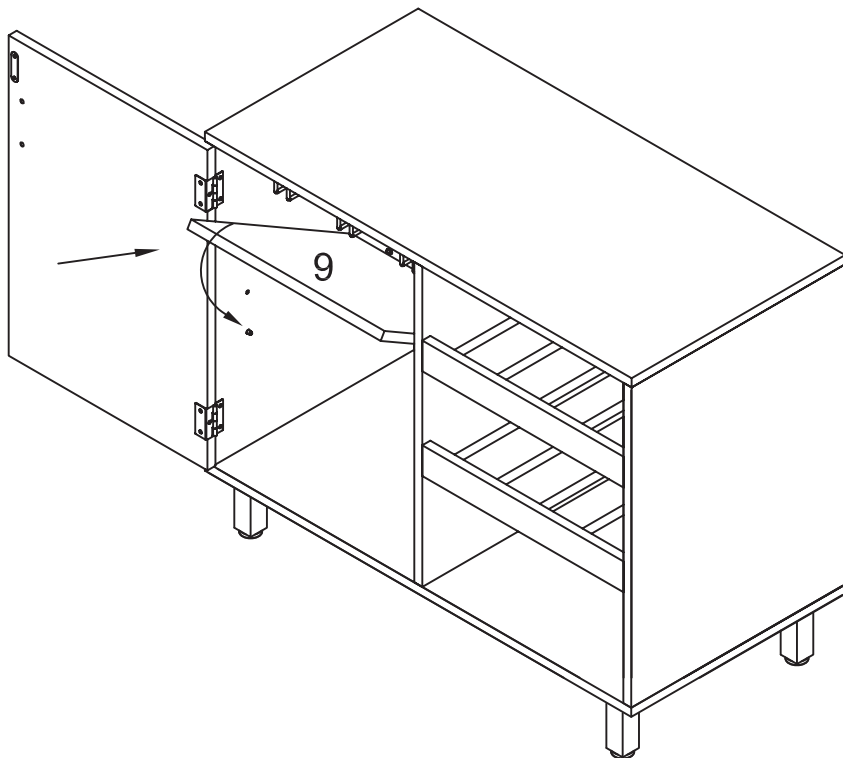
STEP 14



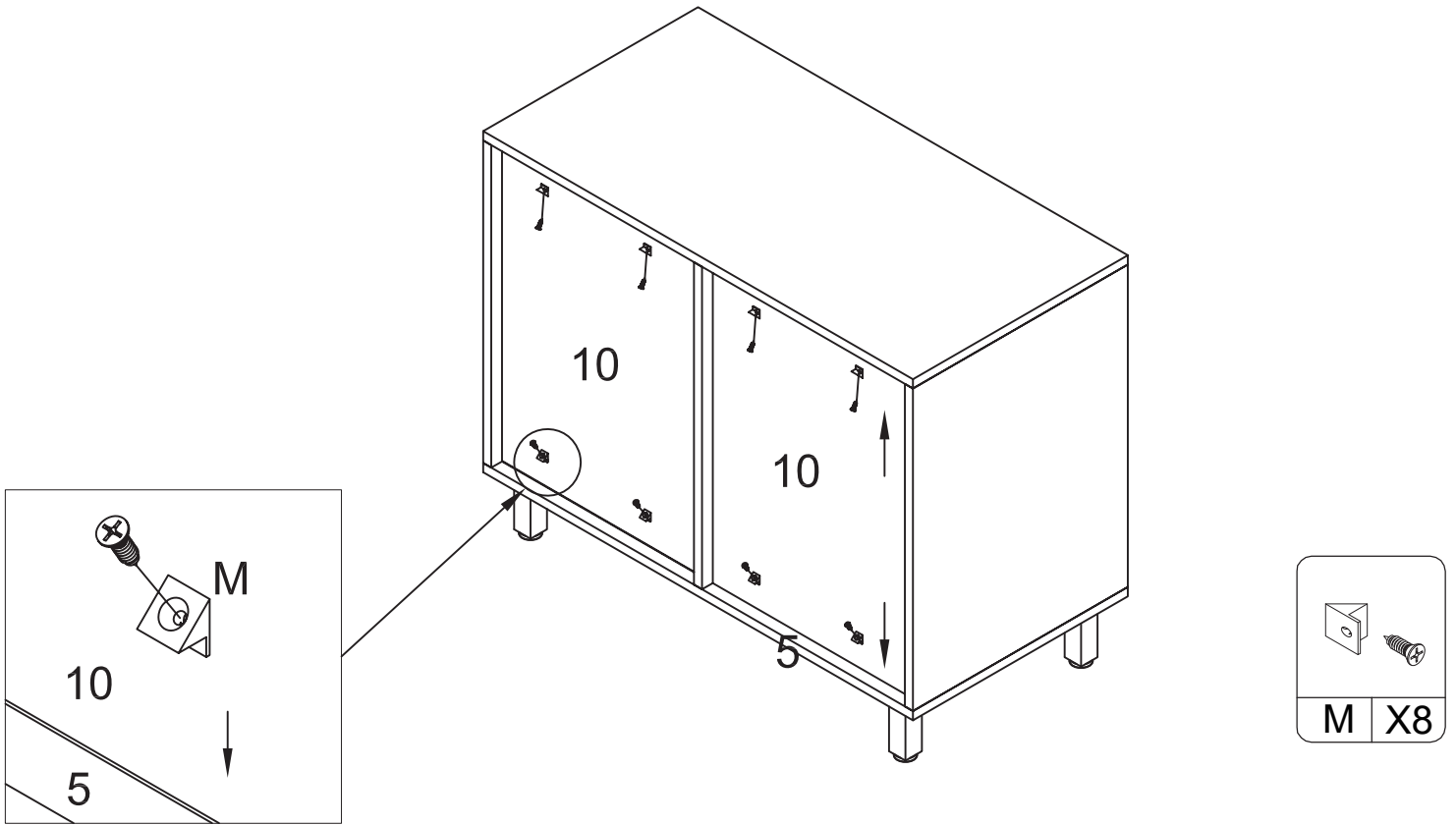
STEP 15



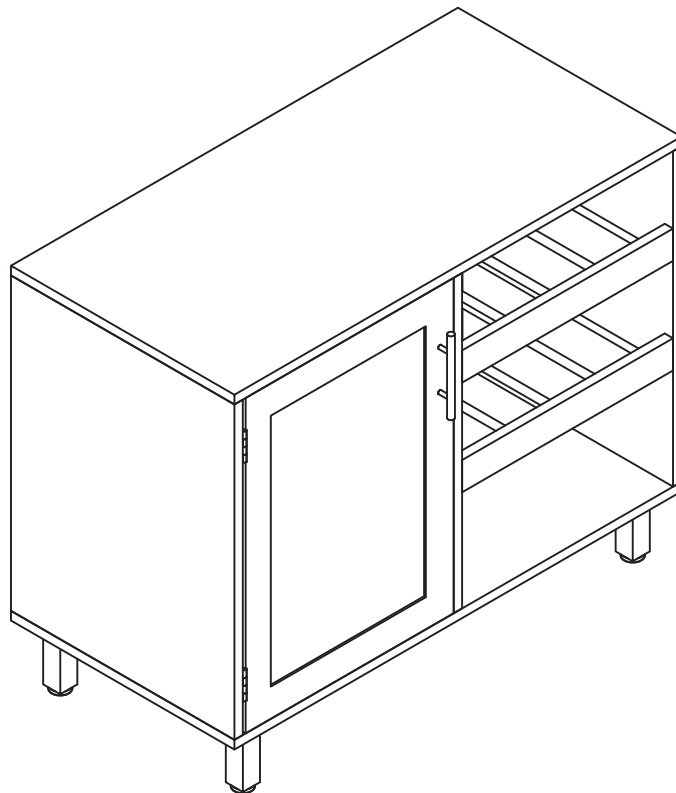
STEP 16



STEP 17



STEP 18



Quality and Safety Guidelines:

- Please follow the static and dynamic weight capacity limits provided on this item. If you are unsure of the weight capacities for this product, email us
- Please use this item on a stable, level surface only. All cabinet legs should contact the flooring surface when in use. Do not use this item if any instability is detected.
- Please install and use anti-tipping devices if included.
- For maintenance instructions and replacement parts, please email us
- This item is intended as a bar cabinet only, do not climb, stand or sit on this item. Do not use as a TV stand.
- Do not slide this item when moving it.
- Keep fingers away from the hinge line clearance to avoid pinching.
- The item is intended to be used indoors.
- For product longevity, product safety and product integrity, protect from wet and humid weather or other wet, humid or moist conditions and store indoors in a dry location.