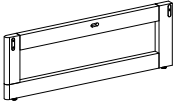
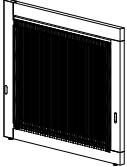
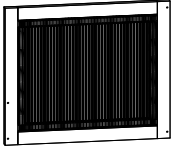
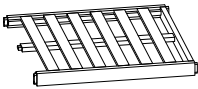
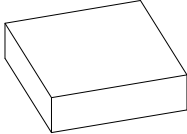
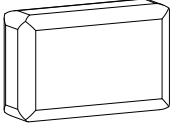



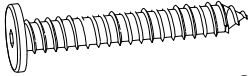


**Hello! Please read these important attentions...**

Please put a thick carpet on the ground to protect the furniture finish and corners. During the installation process, **DON' T** fasten screws tight 100% at a time.

# ASSEMBLY INSTRUCTIONS

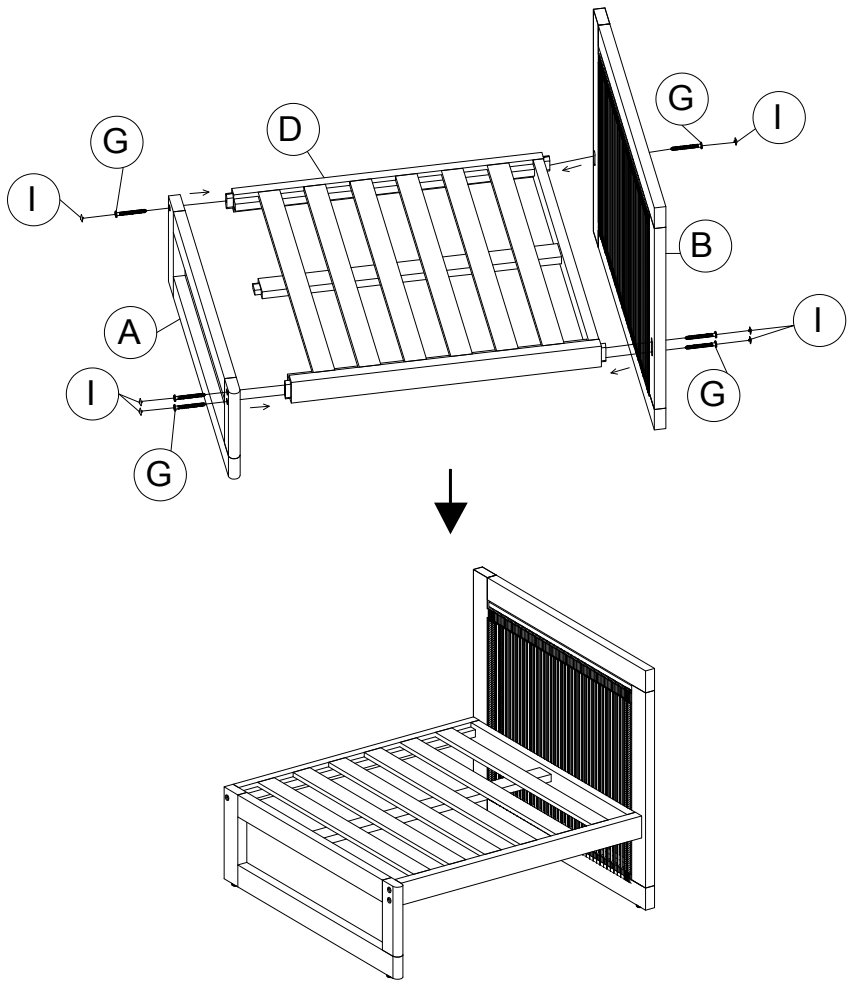
NUMBER	COMPONENT	QUANTITY
A	 LEG FRAME 1	1PC
B	 LEG FRAME 2	1PC
C	 LEG FRAME 3	1PC
D	 SEAT	1PC
E	 SEAT CUSHION	1PC
F	 BACKREST CUSHION	2PCS
G	 SCREW M7x70MM	6PCS

# ASSEMBLY INSTRUCTIONS

NUMBER	COMPONENT	QUANTITY
H	 <p data-bbox="602 427 792 451">SCREW M7x50MM</p>	4PCS
I	 <p data-bbox="602 619 732 643">PLASTIC LID</p>	10PCS
J	 <p data-bbox="602 799 636 823">M4</p>	1PC

# ASSEMBLY INSTRUCTIONS

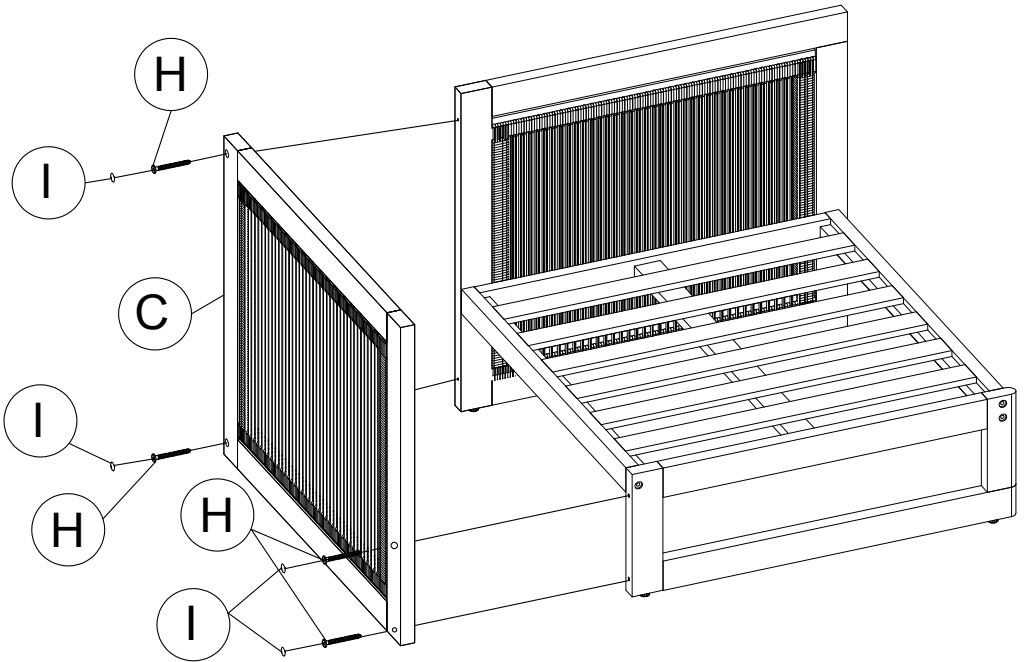
1



Use the screws (G) to connect with the Leg Frame 1 (A) and Leg Frame 2 (B) to seat (D) together then use the plastic lid (I) to cover.

# ASSEMBLY INSTRUCTIONS

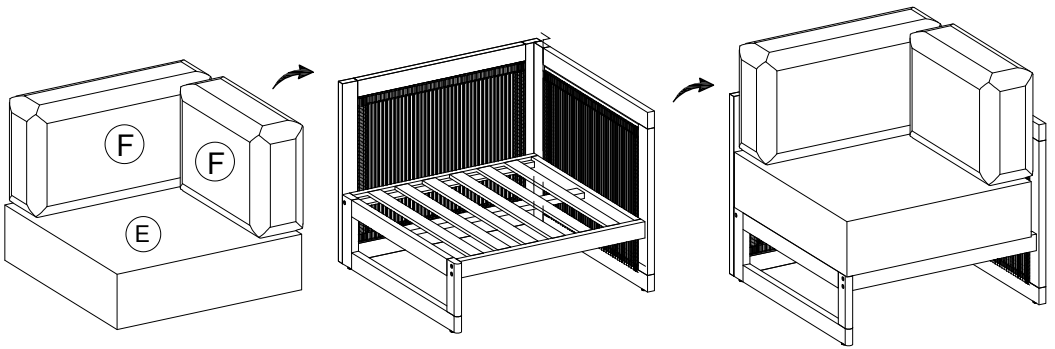
2



Use the screws (H) to connect to the Leg Frame 3 (C) together, then use the Plastic Lid (I) to cover.

# ASSEMBLY INSTRUCTIONS

3



Put the Back and Seat Cushion on the Sofa.

# ASSEMBLY INSTRUCTIONS

4

