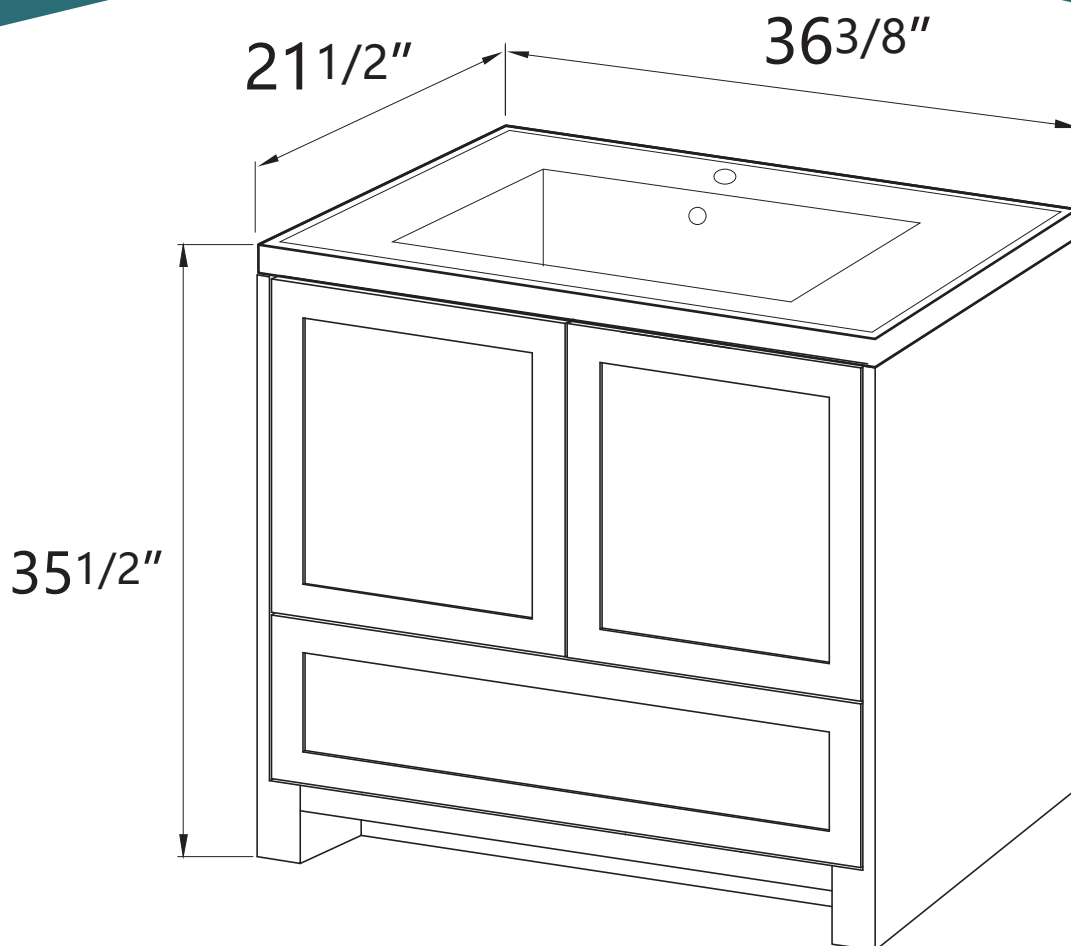
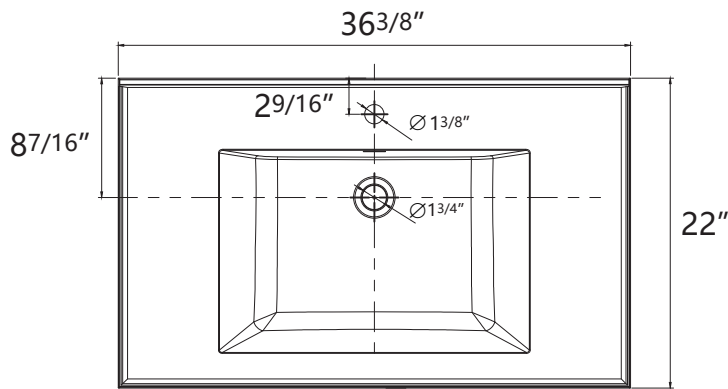


# DIMENSION DETAILS

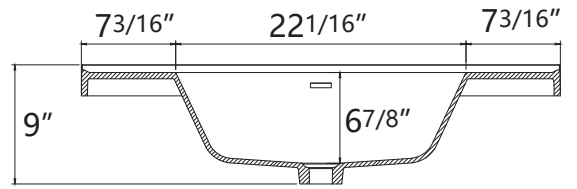
## BATHROOM VANITY



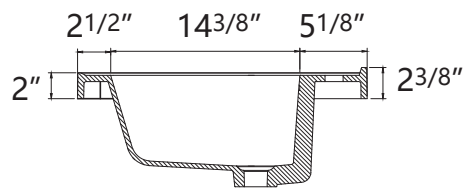
# COUNTERTOP SIZE



Top View

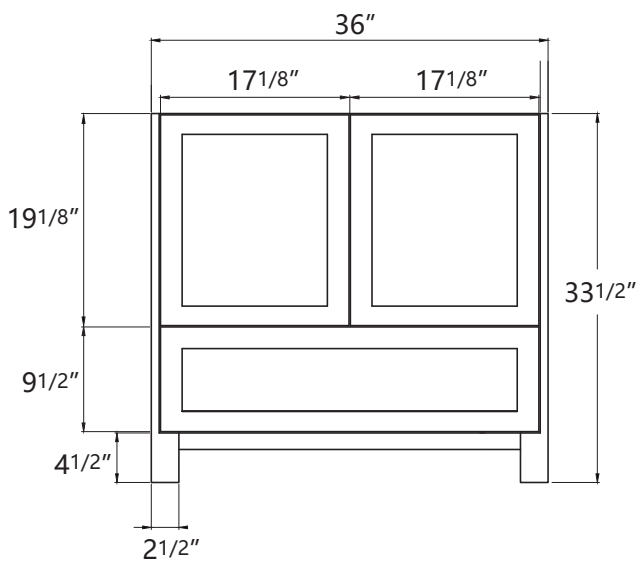


Front View

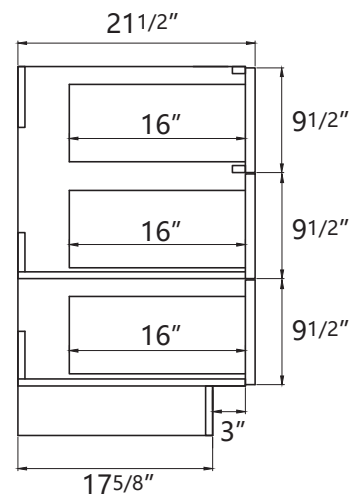


Side View

# VANITY SIZE



Front View



Side View