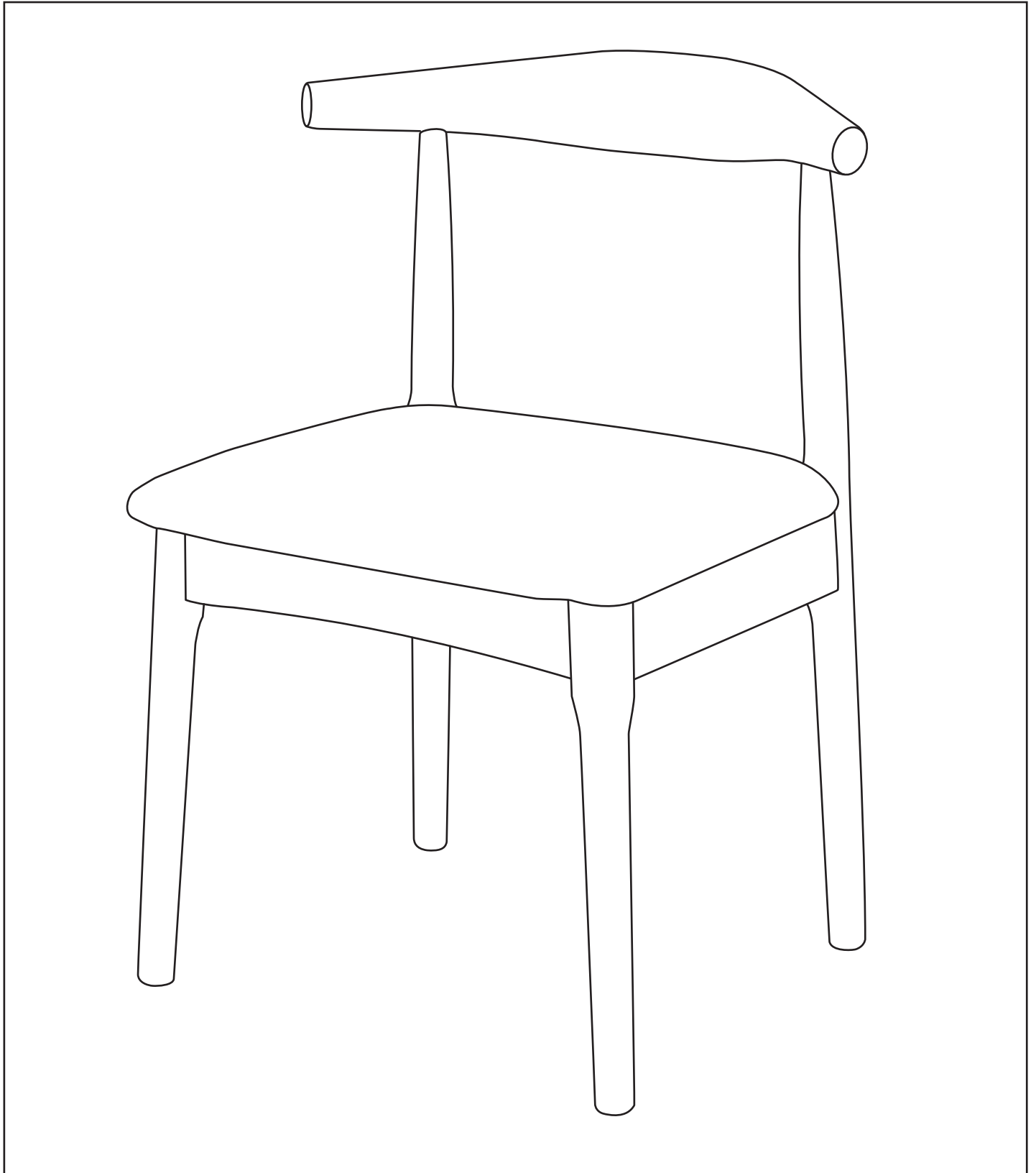


ASSEMBLY INSTRUCTIONS.

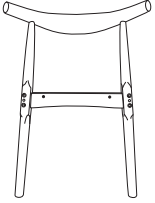
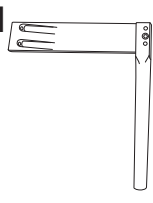
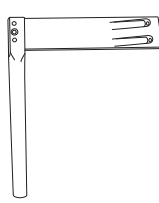

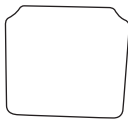




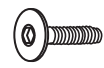




ASSEMBLY INSTRUCTIONS.

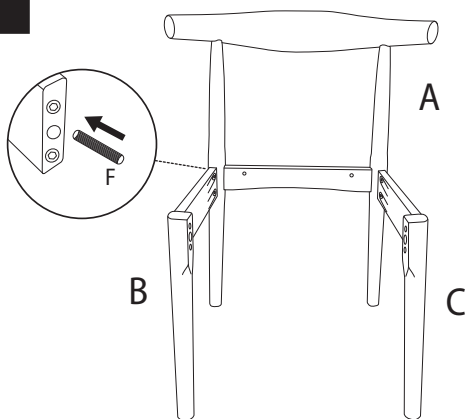
'Bull Horn' Dining Chairs

(Before assembling, read all the instruction!)

PACKAGE CONTENTS

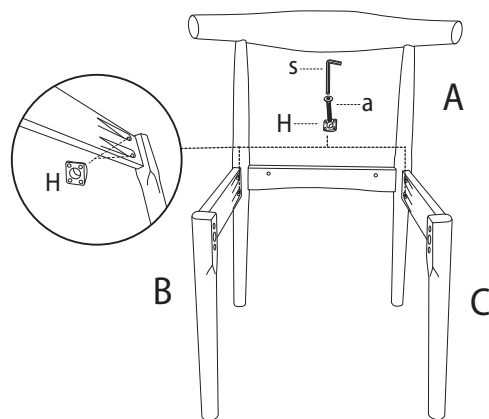
AX1 	BX1 	CX1 	DX1 	EX1 		
FX6 	GX4 	HX6 	aX6  8*45mm	bX8  6*12mm	sX1  8mm	zX1  6mm

1



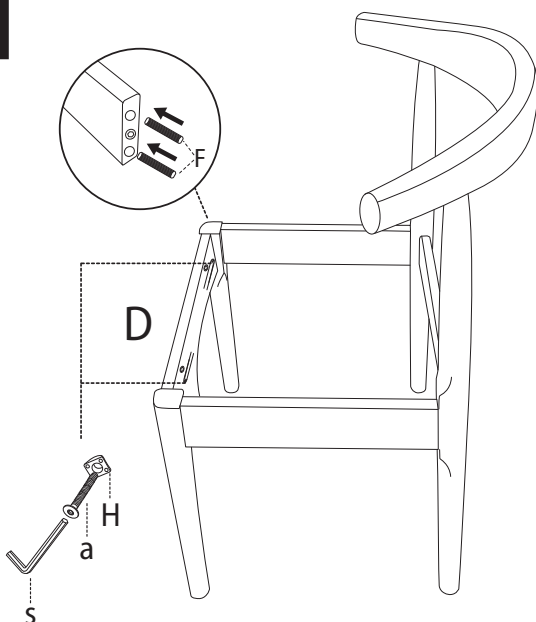
Do not fully tighten the screws at this stage

2

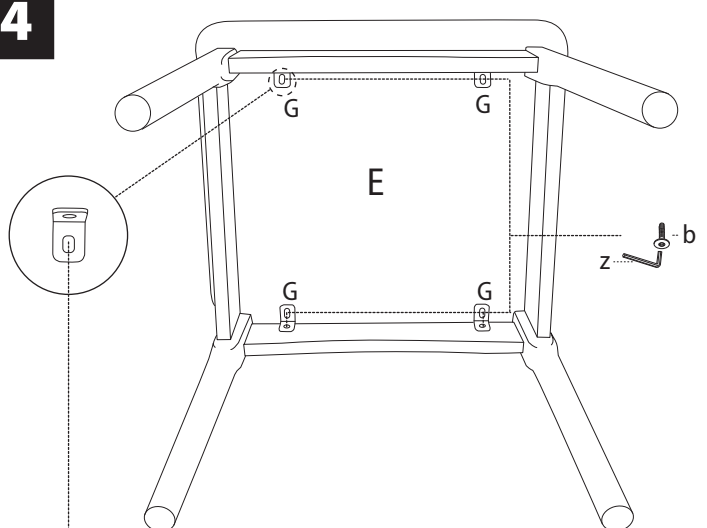


Note that there are two different sizes of hex keys.

3



4



As shown, check the orientation of (G):
the side with the vertical hole fits against the seat board.

Tighten all screws once all assembly steps are completed.