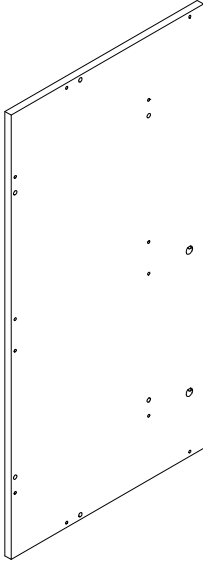
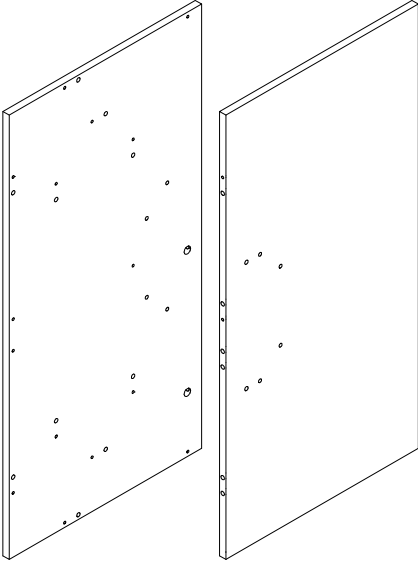


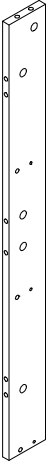
Installation & Assembly



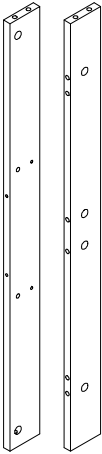
Ax2



Bx2



Cx8



Dx2



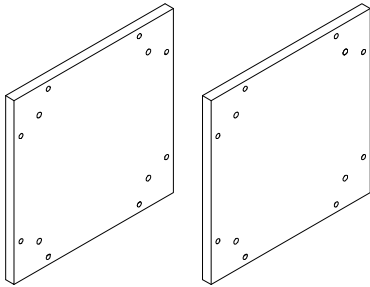
Ex4



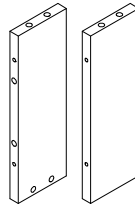
Fx2



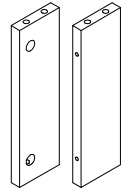
Gx2



Hx2



Ix4



Jx2



M8x $\frac{35}{1.4}$

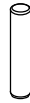
Kx70



Lx94



Mx94



M8x $\frac{50}{2.0}$

Nx8



M7x $\frac{40}{1.6}$

Ox24



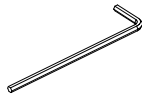
M6x $\frac{15}{0.6}$

Px8

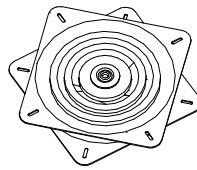


M6x $\frac{12}{0.5}$

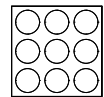
Qx8



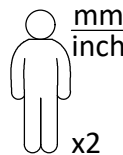
Rx1

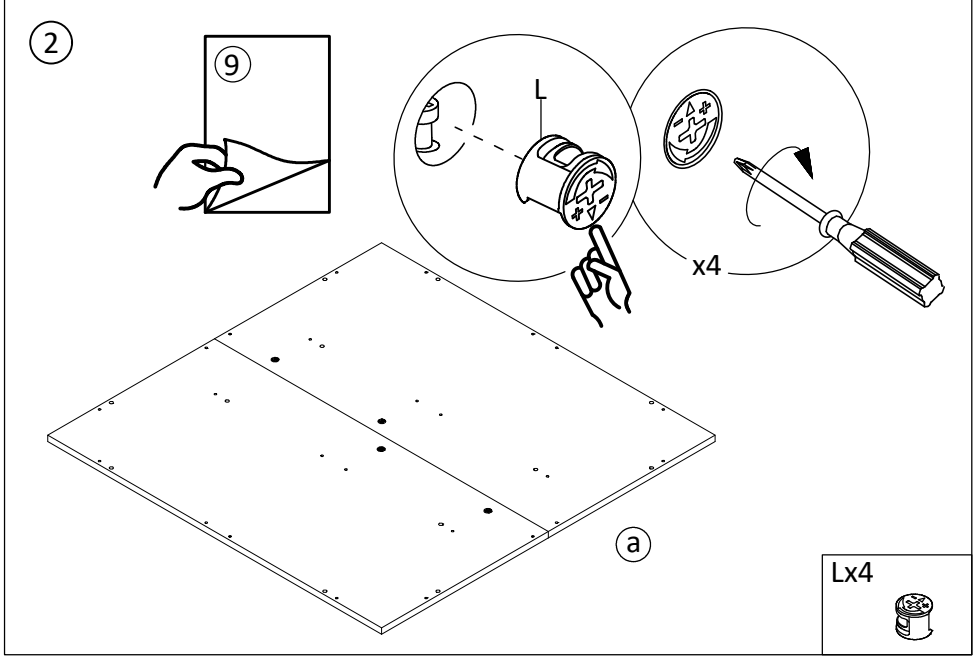
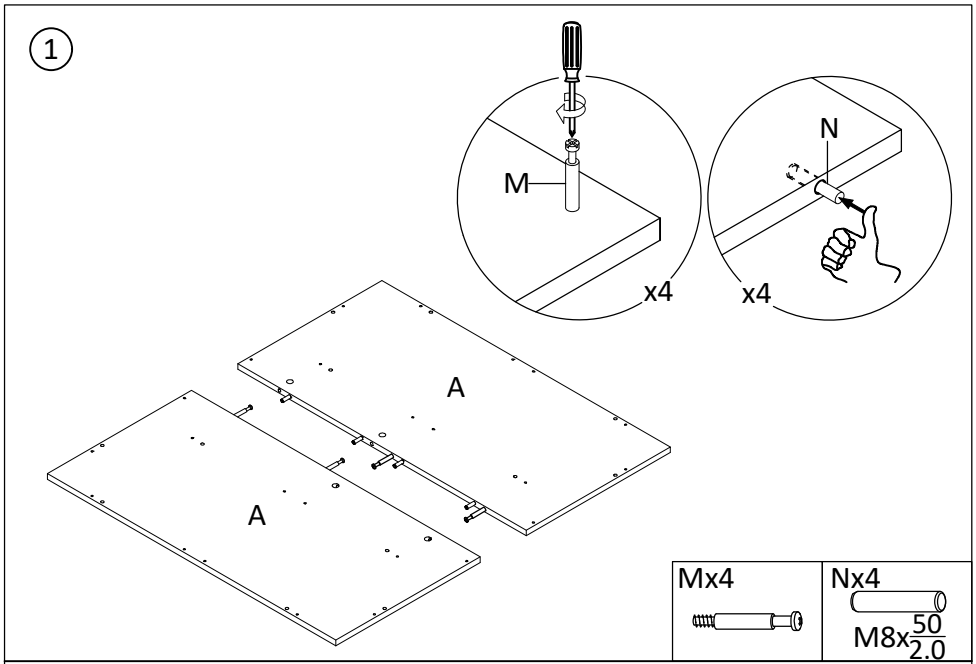


Sx1

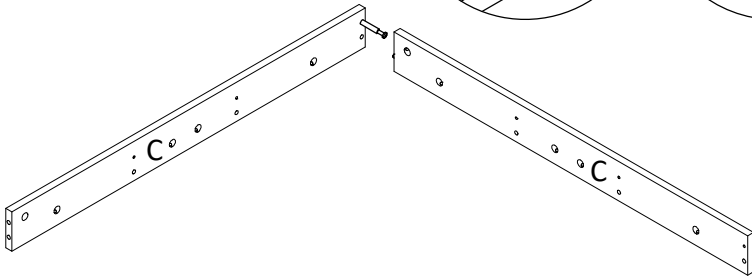
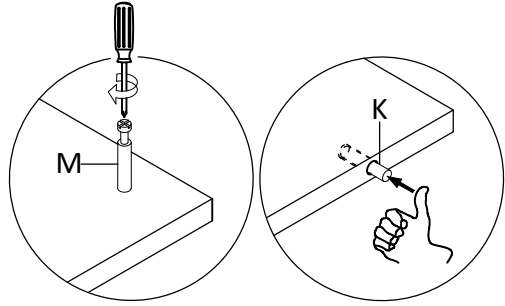


Tx12

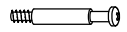




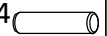
3 x4



Mx4

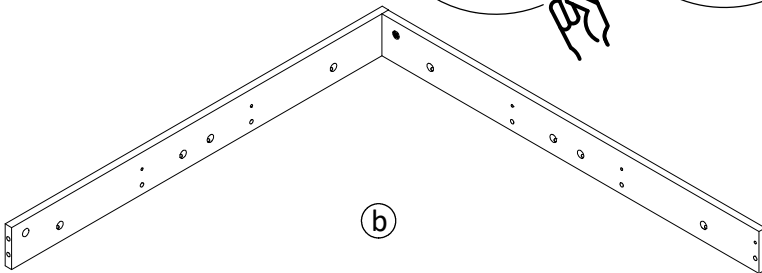
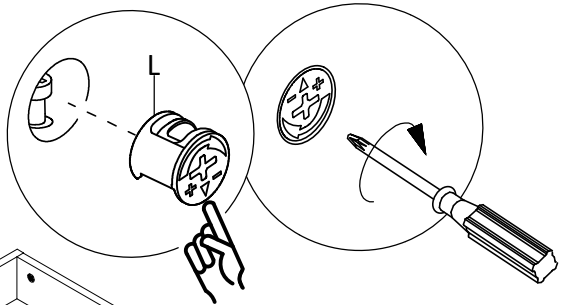


Kx4



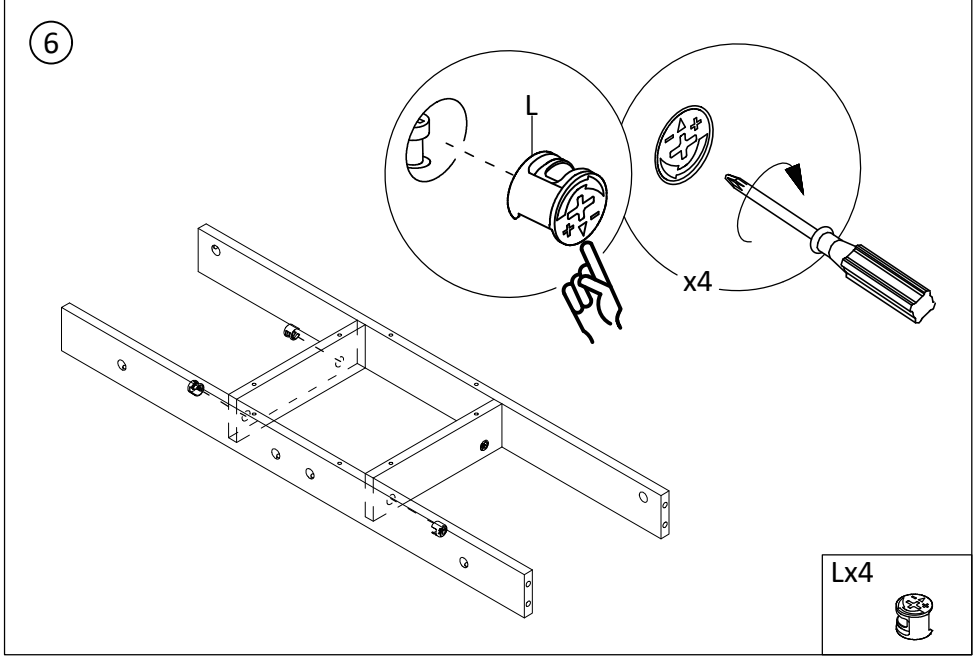
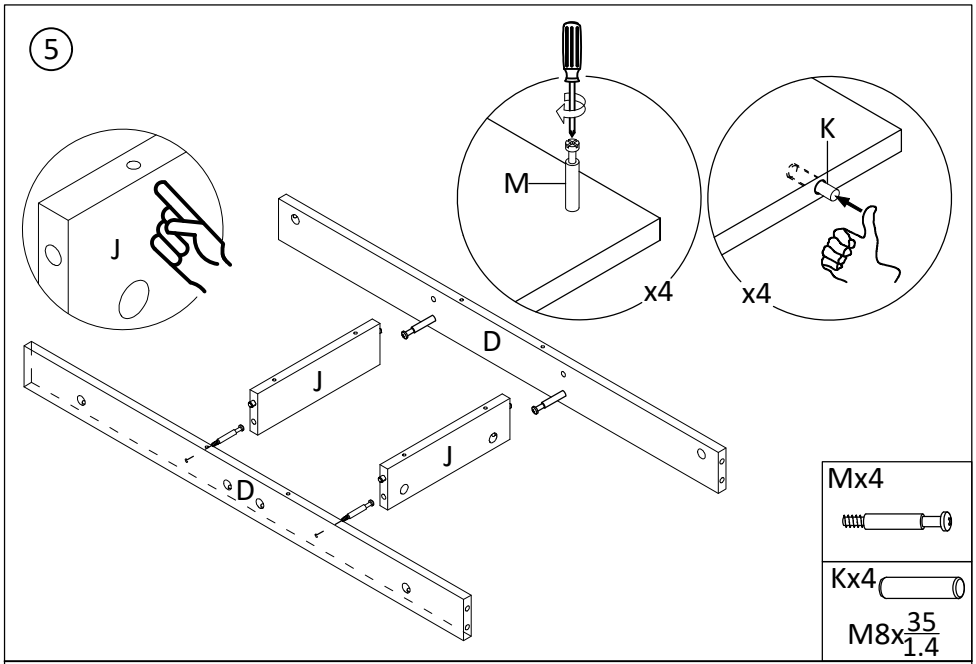
M8x $\frac{35}{1.4}$

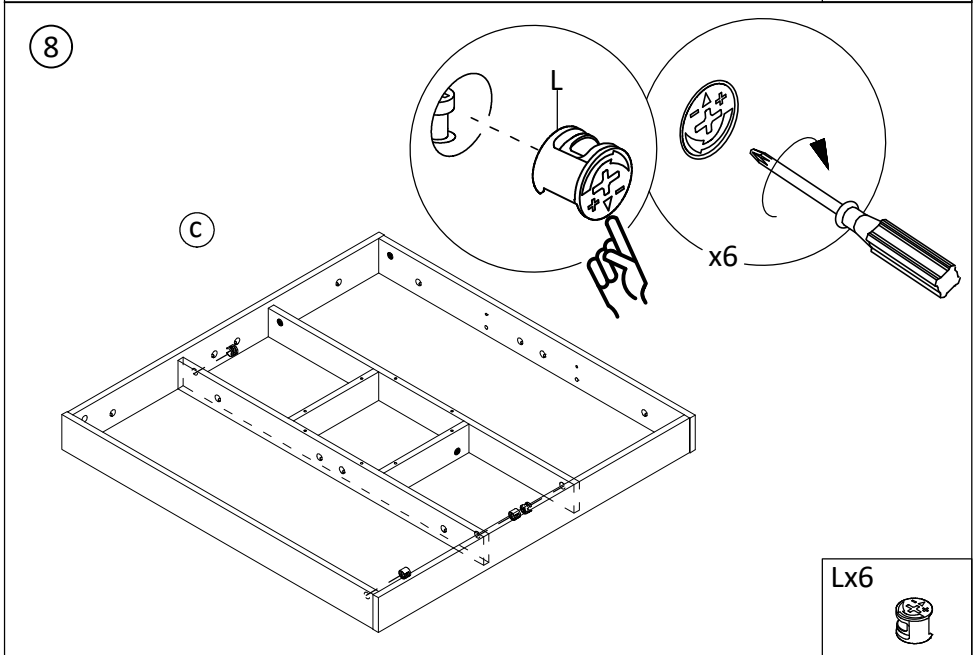
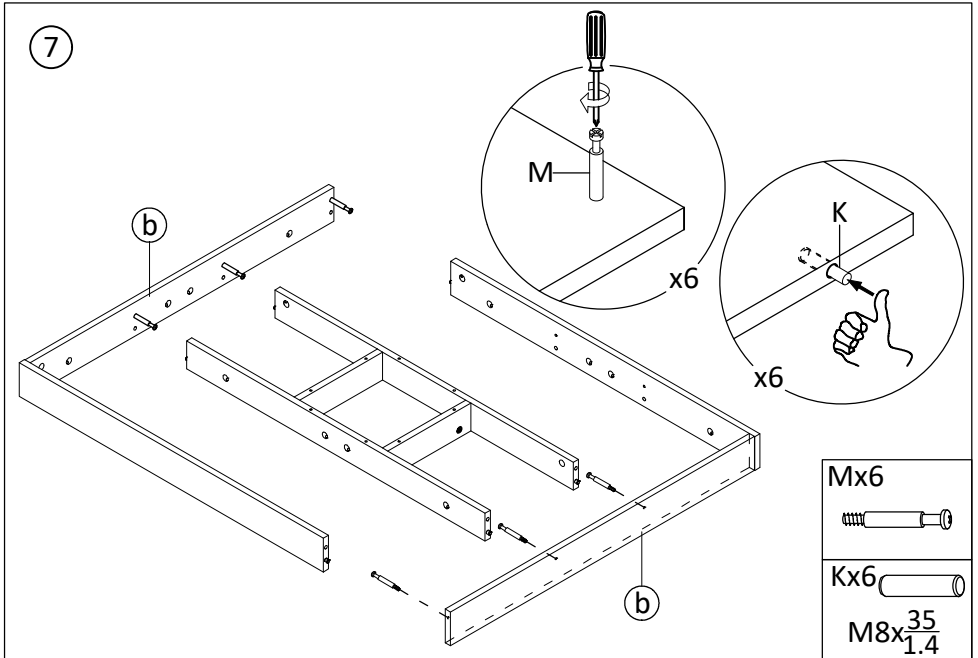
4 x4

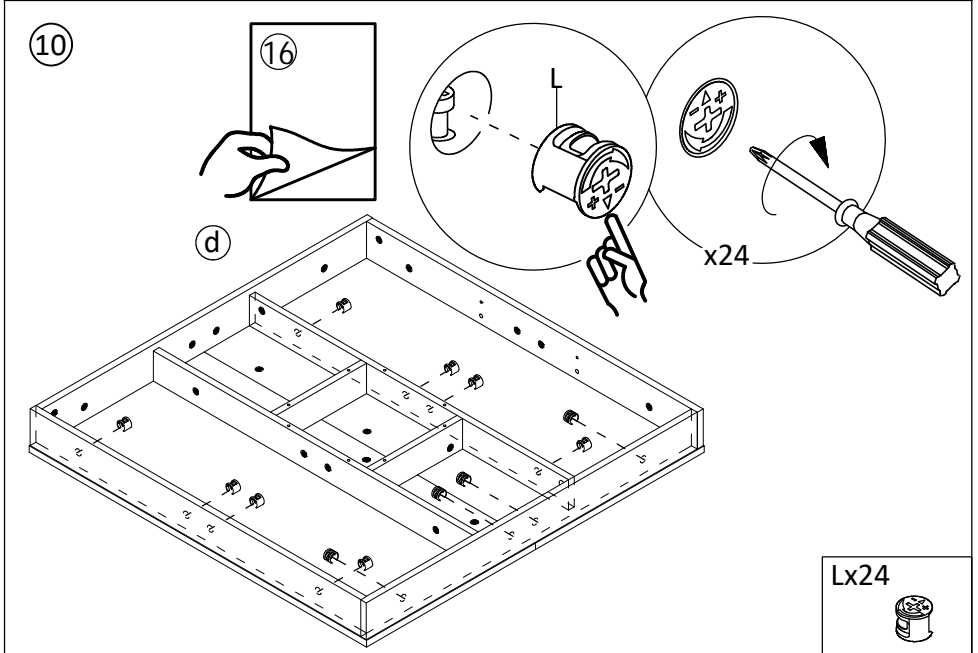
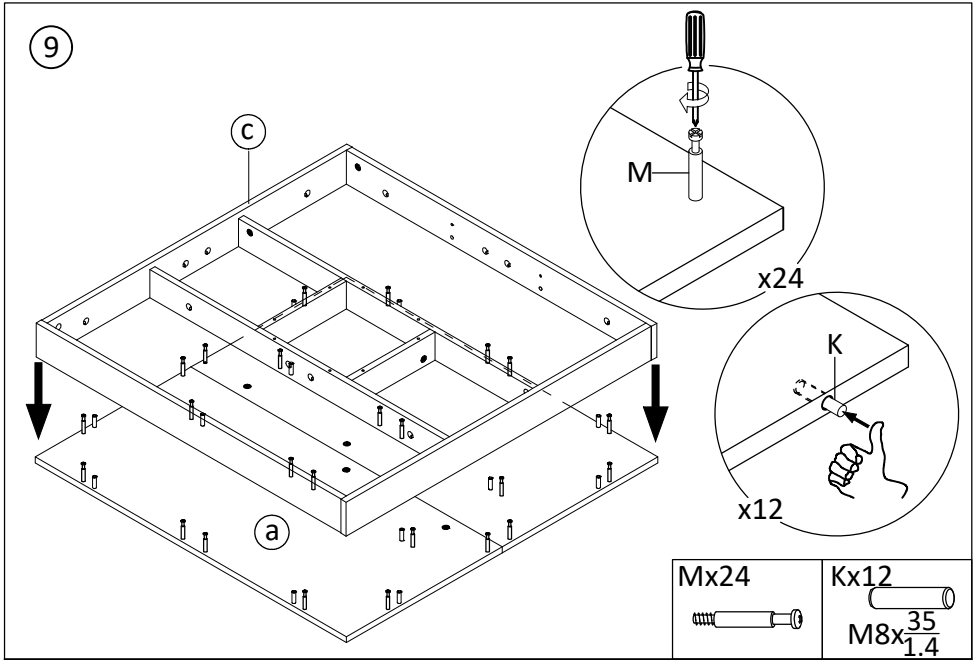


Lx4

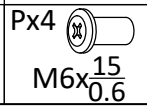
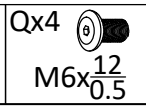
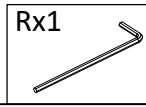
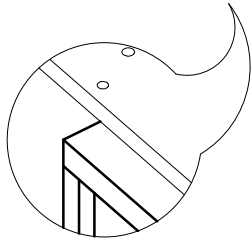
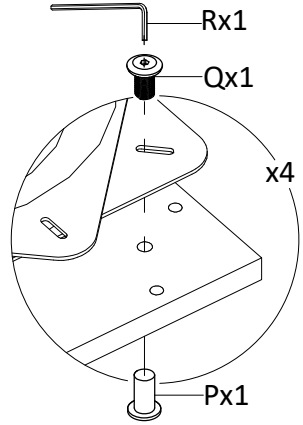
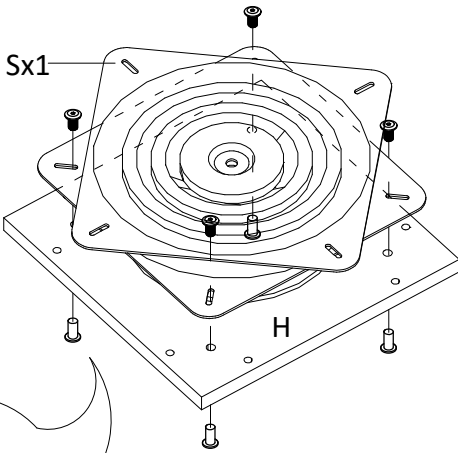




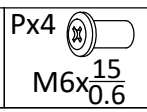
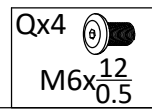
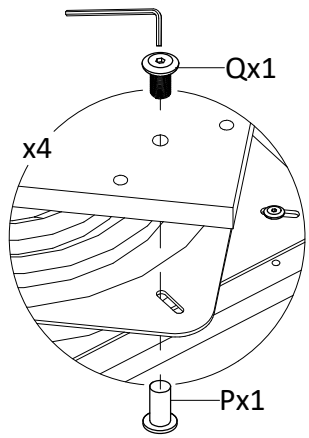
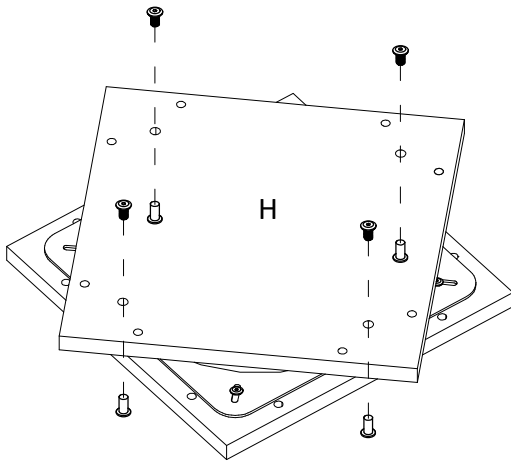




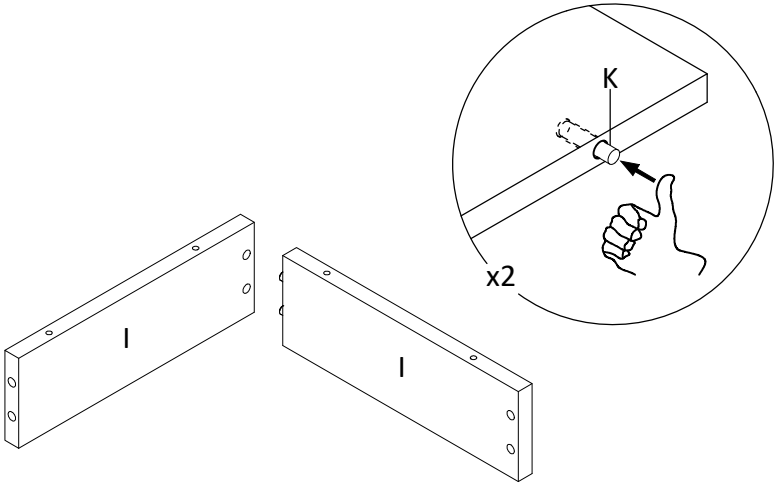
11



12

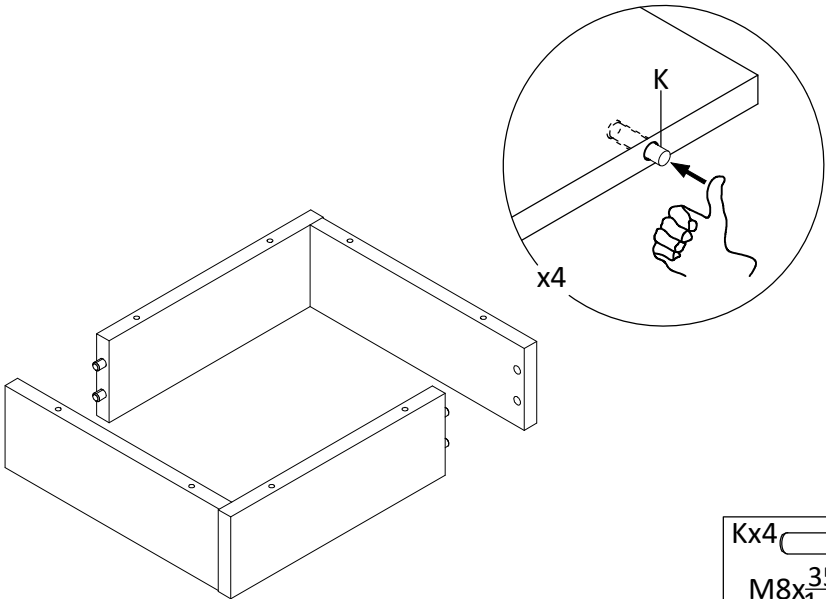


13 x2



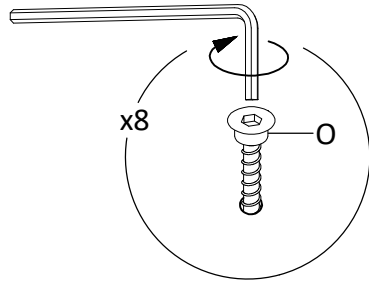
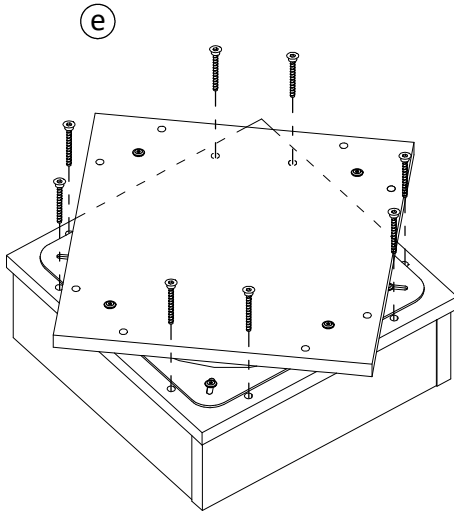
Kx4
M8x $\frac{35}{1.4}$

14



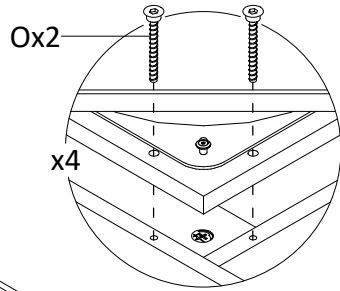
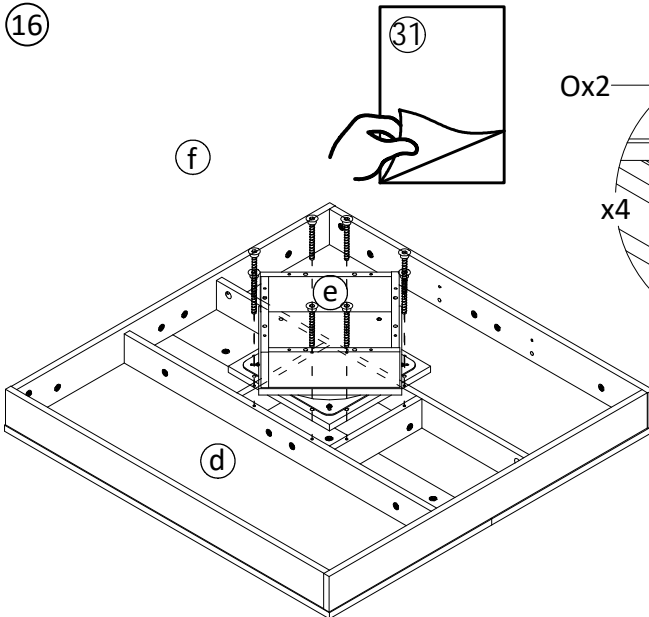
Kx4
M8x $\frac{35}{1.4}$

15



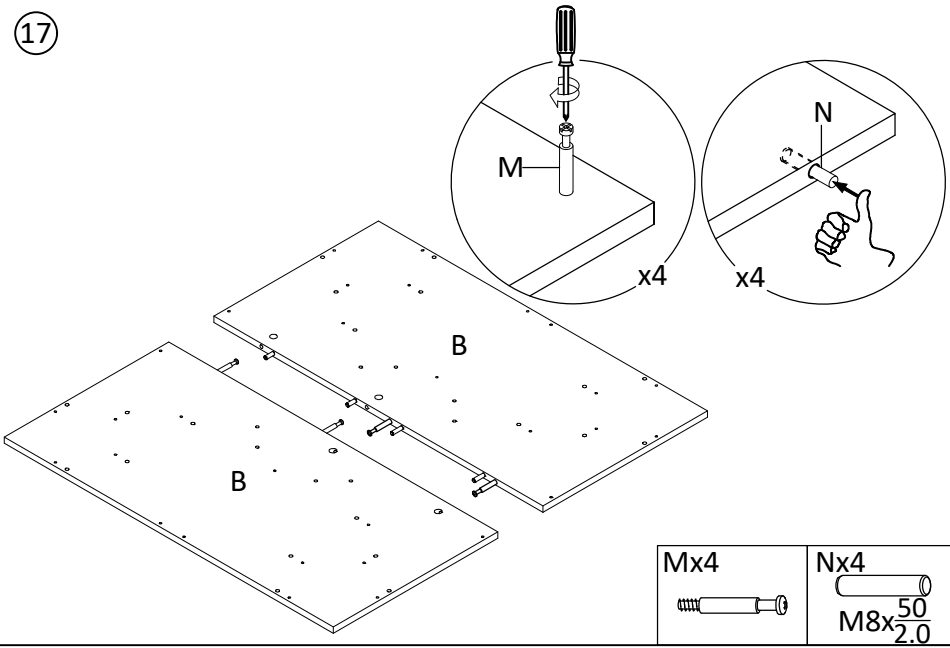
Ox8
M7x $\frac{40}{1.6}$

16

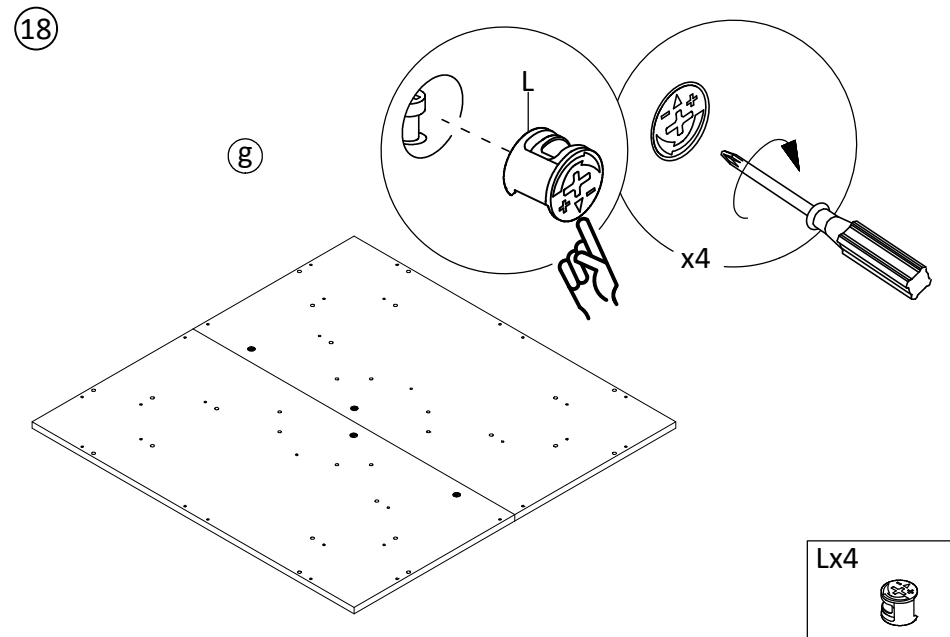


Ox8
M7x $\frac{40}{1.6}$

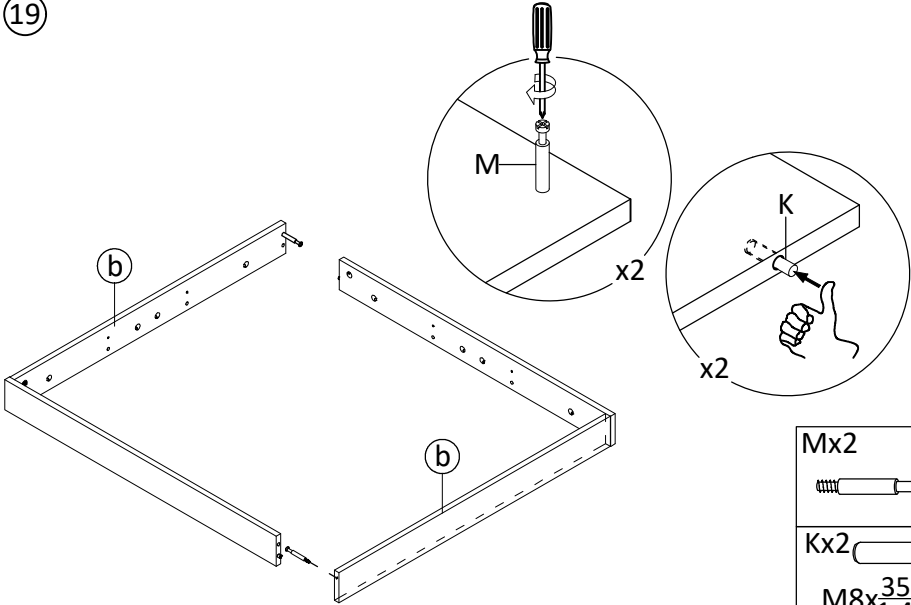
17



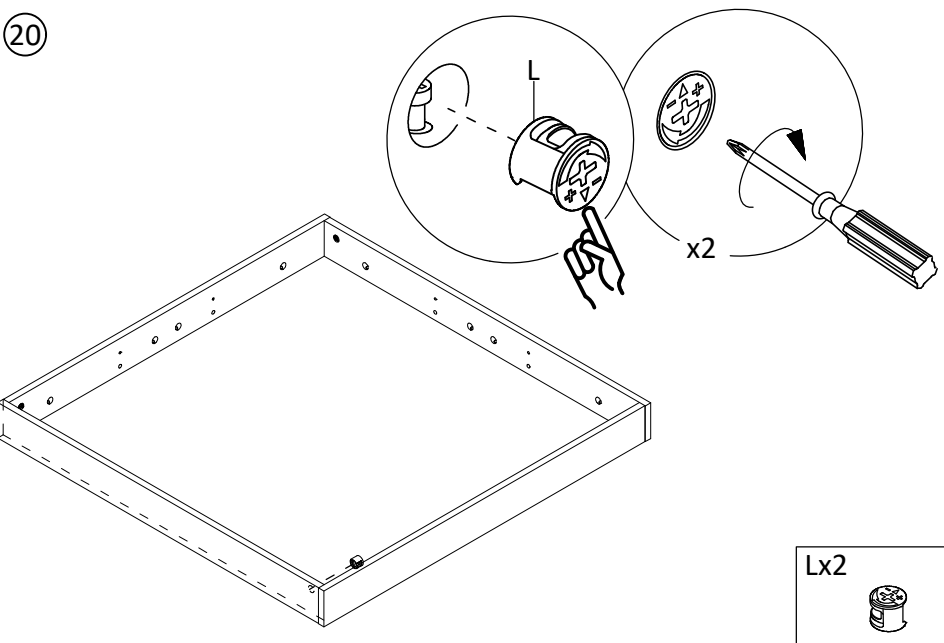
18



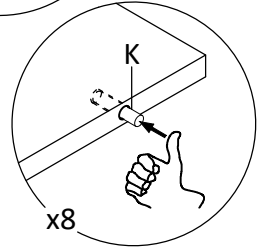
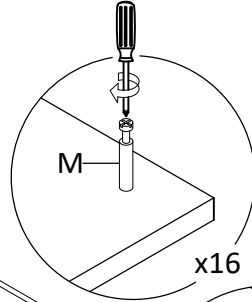
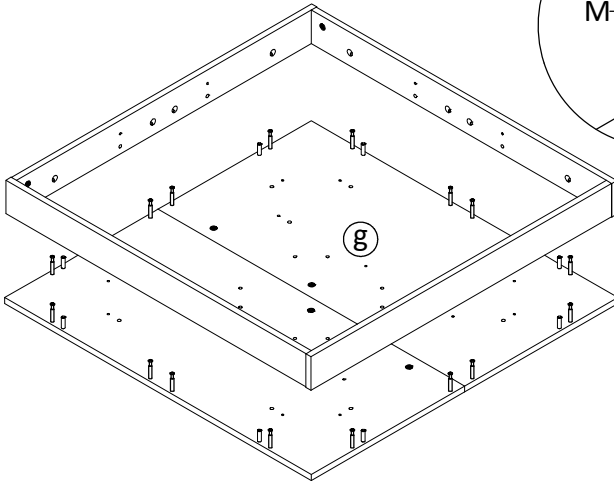
19



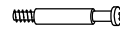
20



21



Mx16

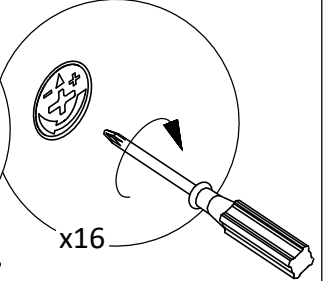
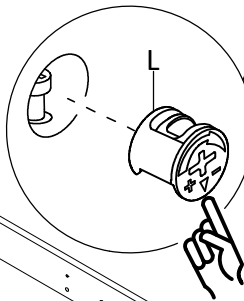
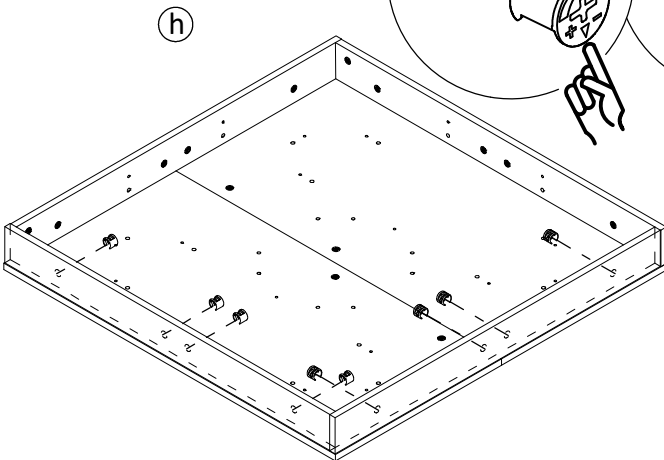


Kx8



M8x $\frac{35}{1.4}$

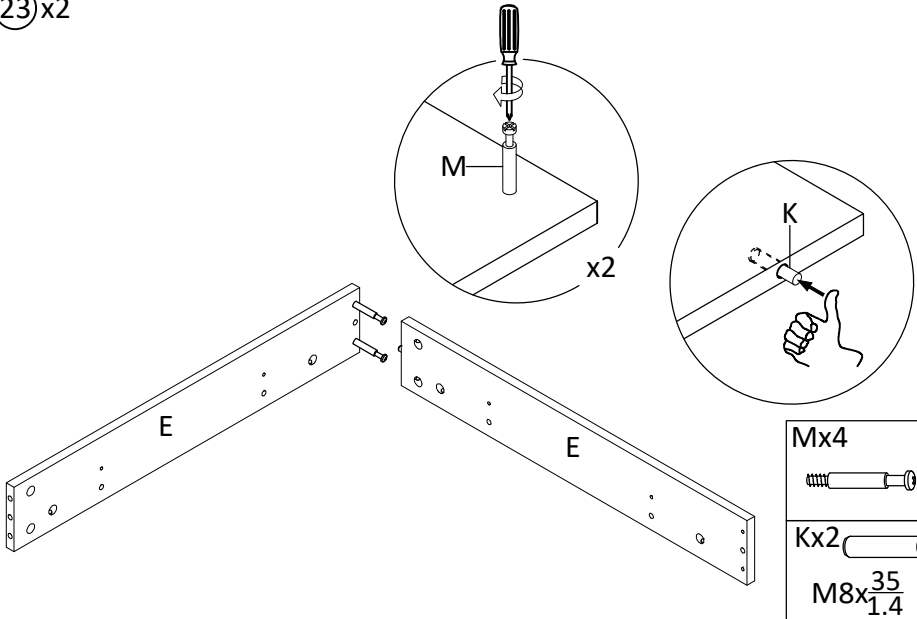
22



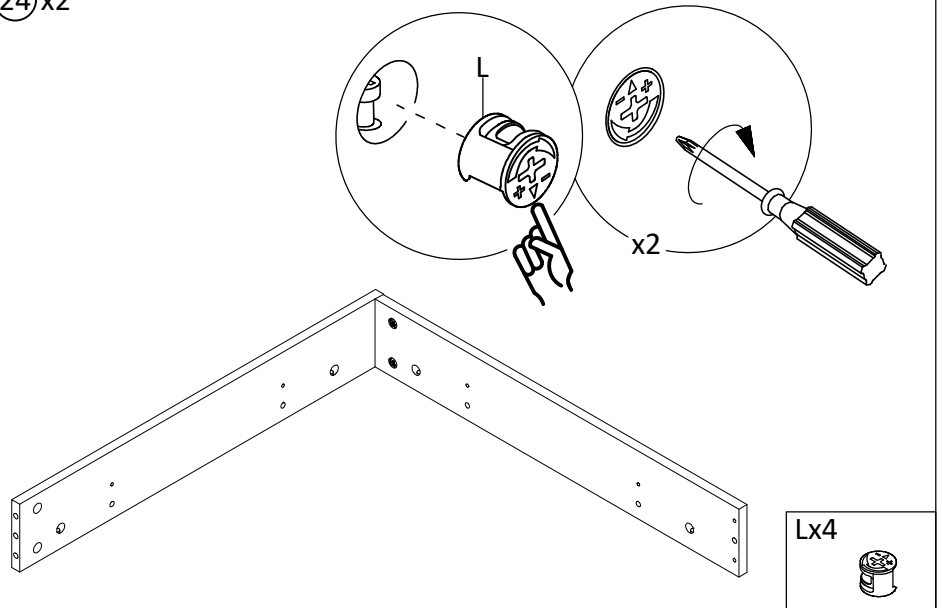
Lx16



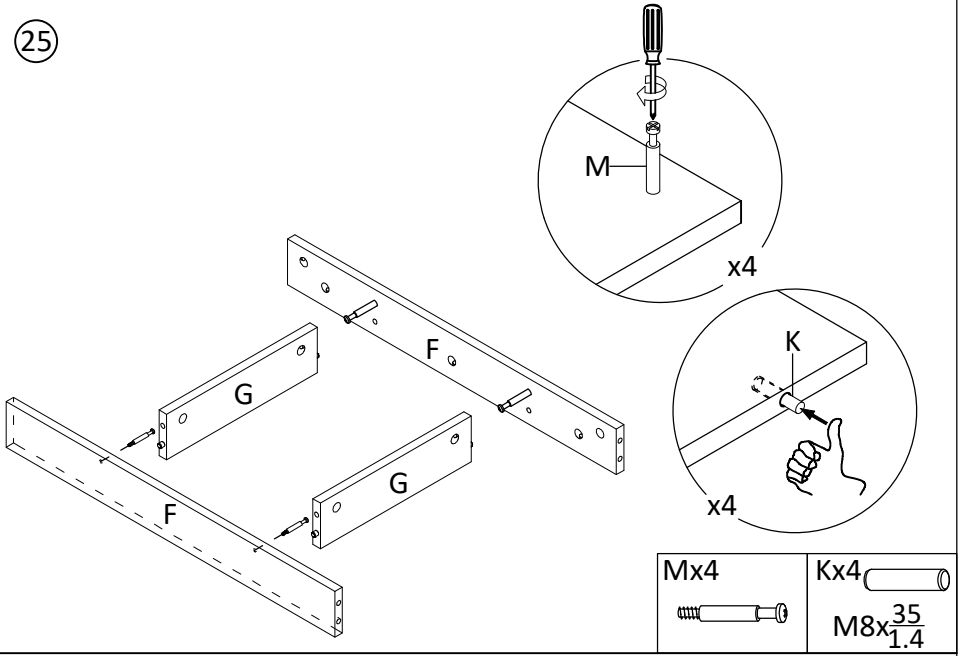
23 x2



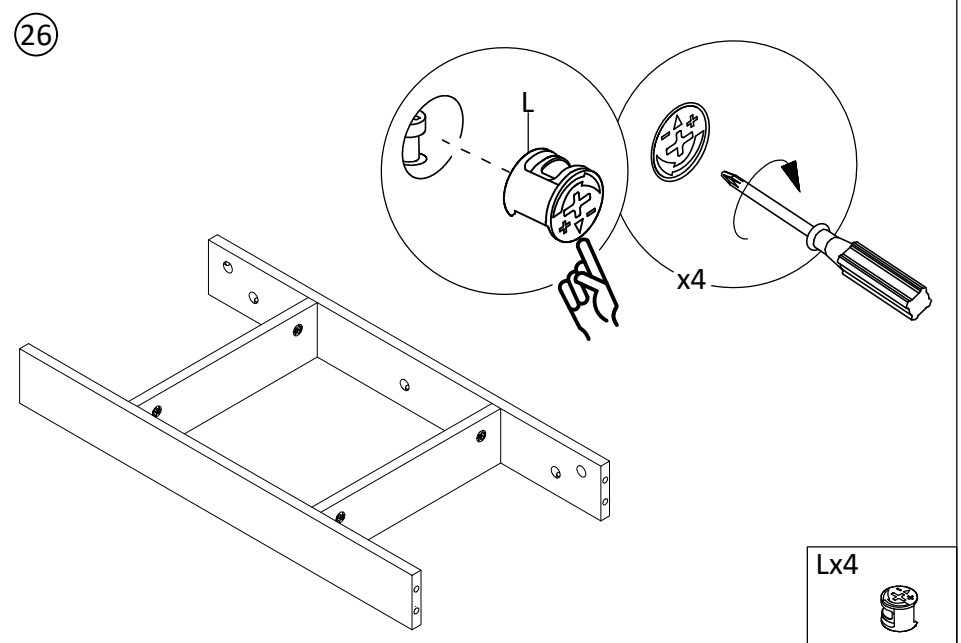
24 x2



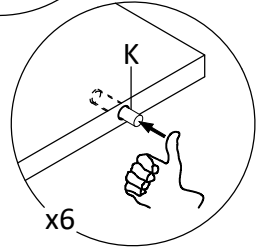
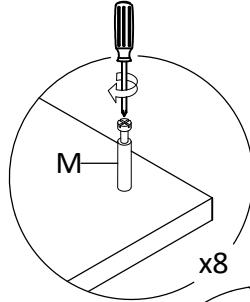
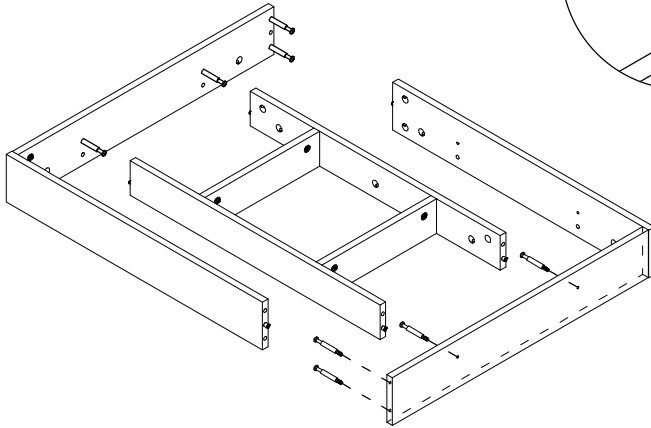
25



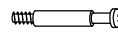
26



27



Mx8



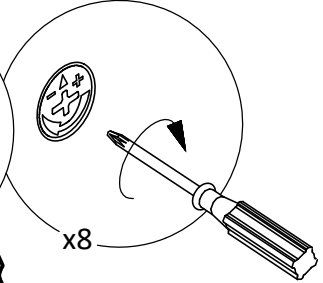
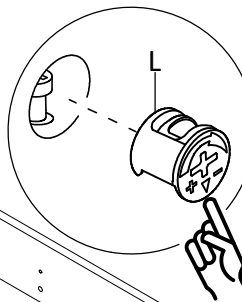
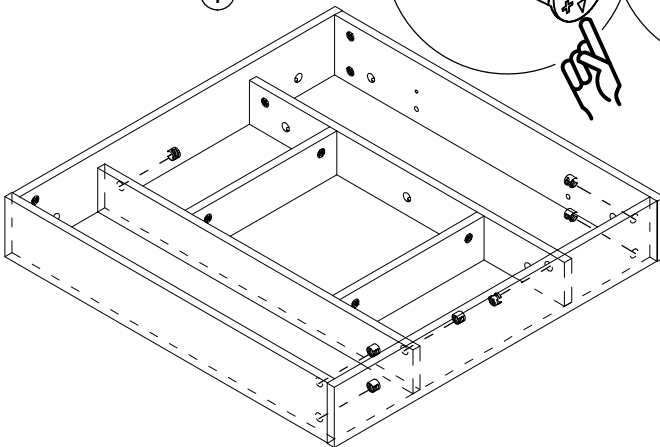
Kx6



M8x $\frac{35}{1.4}$

28

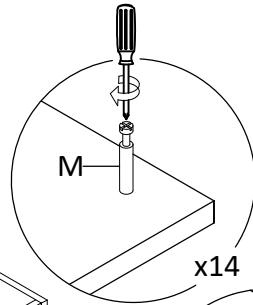
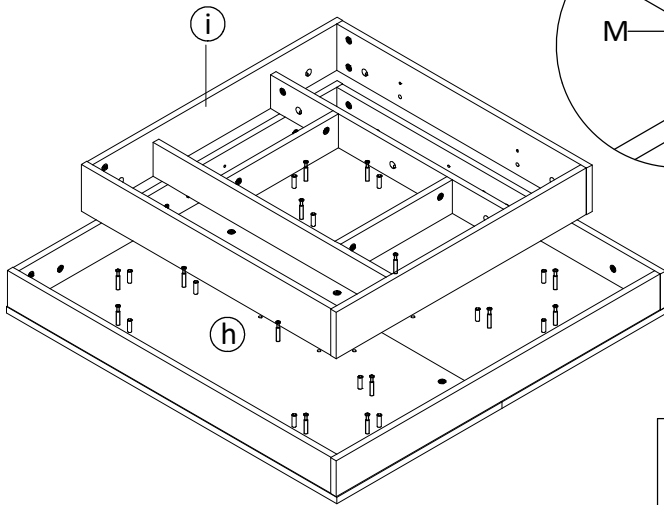
i



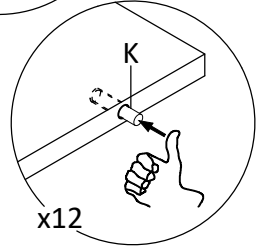
Lx8



29

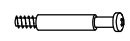


x14

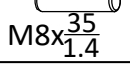


x12

Mx14

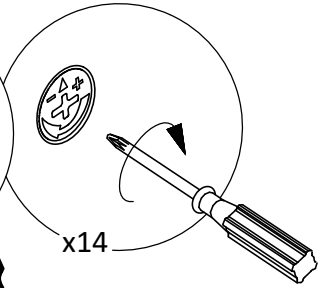
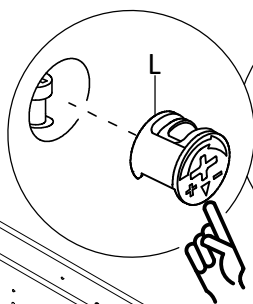
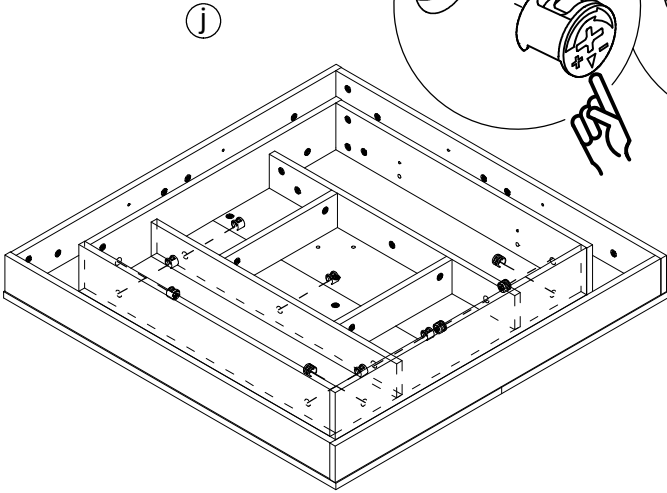


Kx12



M8x $\frac{35}{1.4}$

30

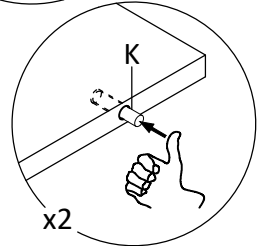
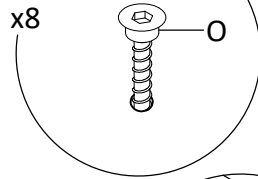
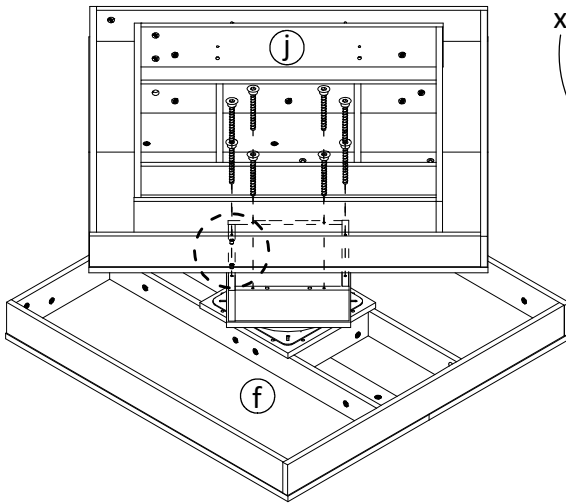


x14

Lx14

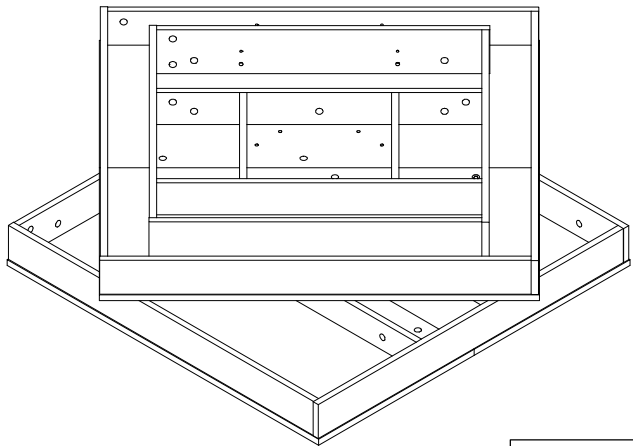
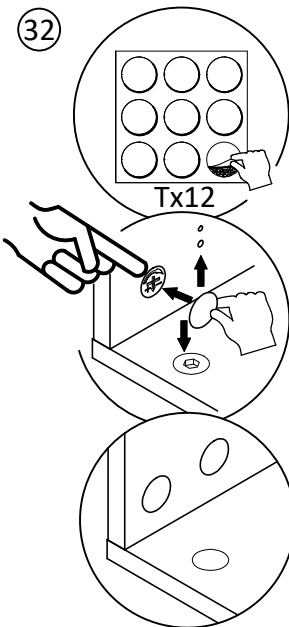


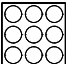
31



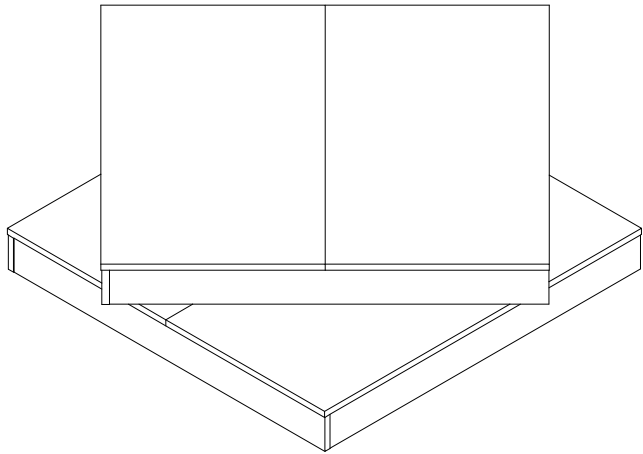
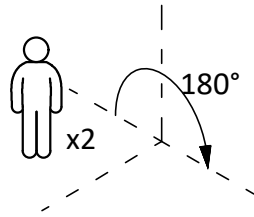
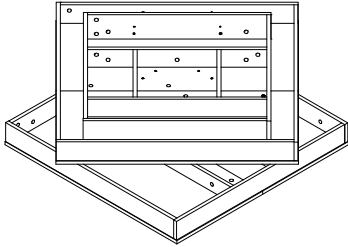
Ox8 M7x $\frac{40}{1.6}$	Kx2 M8x $\frac{35}{1.4}$
-----------------------------	-----------------------------

32

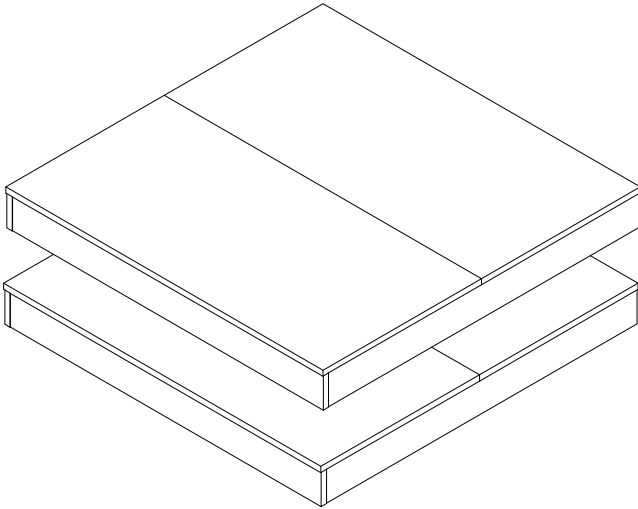
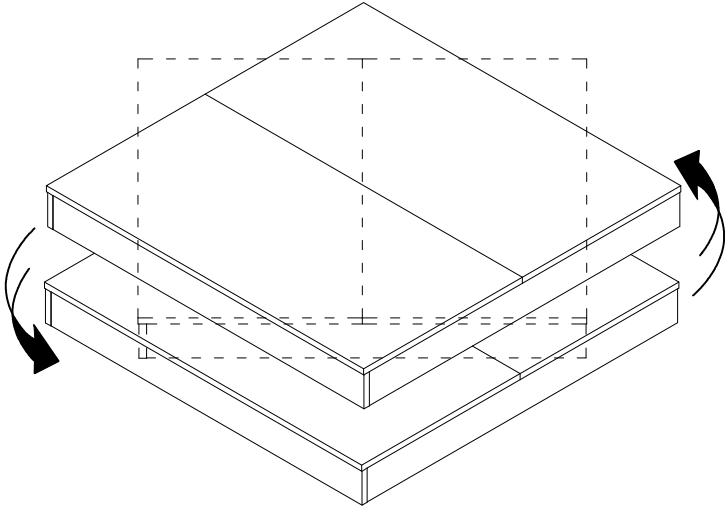


Tx12 

33



34



35

