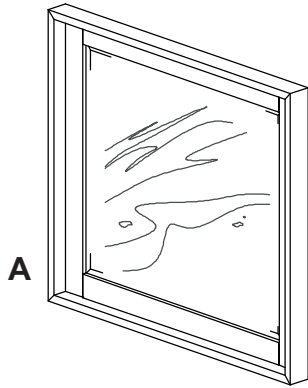


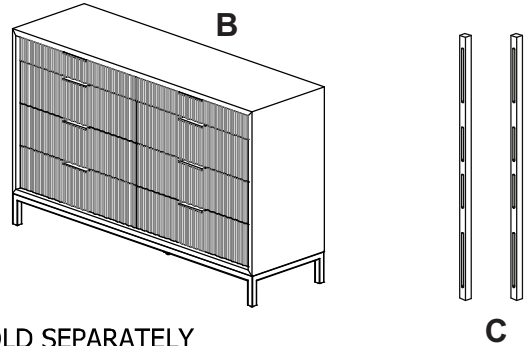
KENTFIELD MIRROR

ASSEMBLY INSTRUCTIONS

BOX #1
A. MIRROR 1 PC

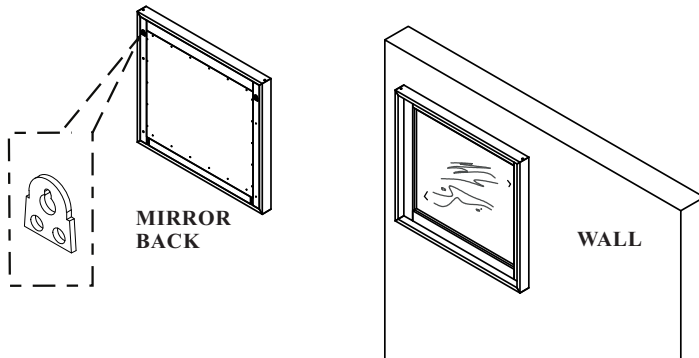


BOX #2
B. DRESSER 1 PC
C. MIRROR SUPPORT 2 PCS
HARDWARE SET

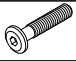





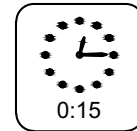
*SOLD SEPARATELY

OPTION 1 WALL MOUNTING

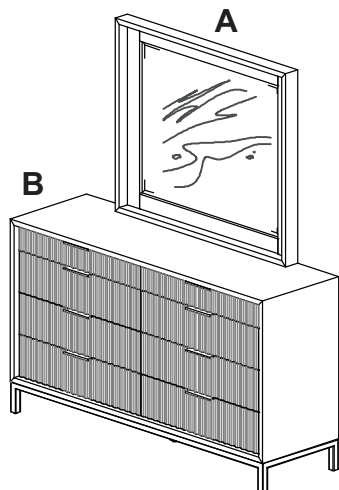


HARDWARE SET PACKED IN BOX #2

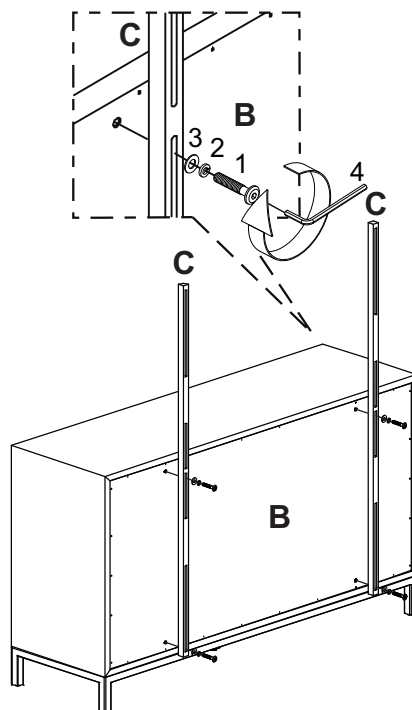
1	ALLEN BOLT (6X45mm)		8 PCS
2	SPRING WASHER (M6)		8 PCS
3	FLAT WASHER (M6)		8 PCS
4	ALLEN KEY (L4)		1 PC



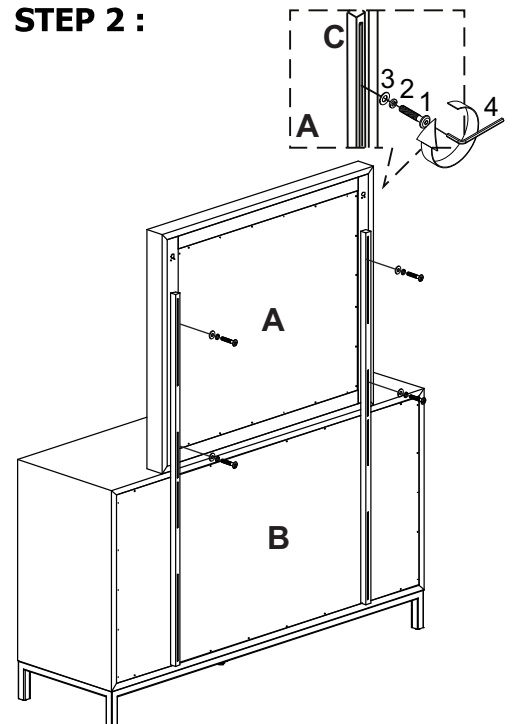
OPTION 2 DRESSER MOUNTING



STEP 1 :



STEP 2 :



UPDATED : MARCH 31ST, 2021

NOTE: DO NOT FULLY TIGHTEN BOLTS UNTIL FINAL STEP

NOTE: FULLY TIGHTEN ALL BOLTS