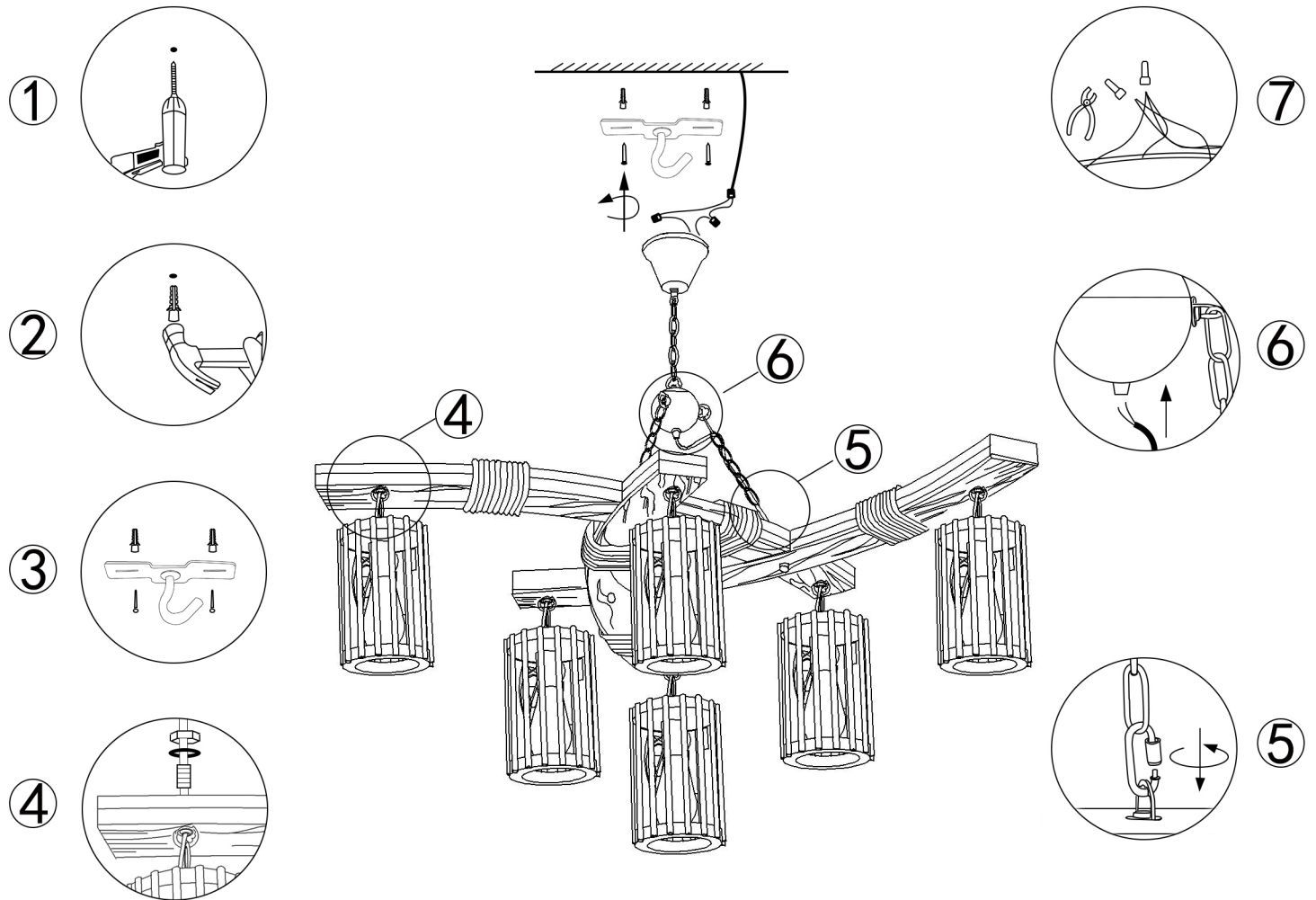


Installation Instructions



The lamp installation process

1. Lamp inspection, after the lamp arrives, Unpack the outer packaging, check the appearance of the lamp, directly powered on it to check, and then start installation.
2. Before installing the lamp, please plan the installation position and the type of lamp installation and reserve the power cord.
3. Assembling the lamp, please assemble the main body of the lamp and the installation kit respectively.
4. Installation of the lamp, please install the lamp ceiling plate first, and then connect the main body of the lamp.
5. Power-on and test, after installing the lamp, please turn on the power to check whether it can be powered on.

Precautions

1. Large-scale lamps should not be installed by yourselves . Please install them by a professional with electrician certificate .
- 2 . The power must be turned off before installing or replacing the lamp .
- 3 . Installing or testing the lamp must be away from flammable objects .
- 4 . Please Wear gloves when installing or testing the fixture .
- 5 . If the luminaire does not work properly , turn off the power and check if the power supply is connected . If there is still problems , please consult a professional .
- 6 . When the lamp is on , please do not to look the light source directly for a long time in order to avoid damage your eyesight .
- 7 . Please do not put conductive objects of the lamp body to avoid short circuit and casualties .