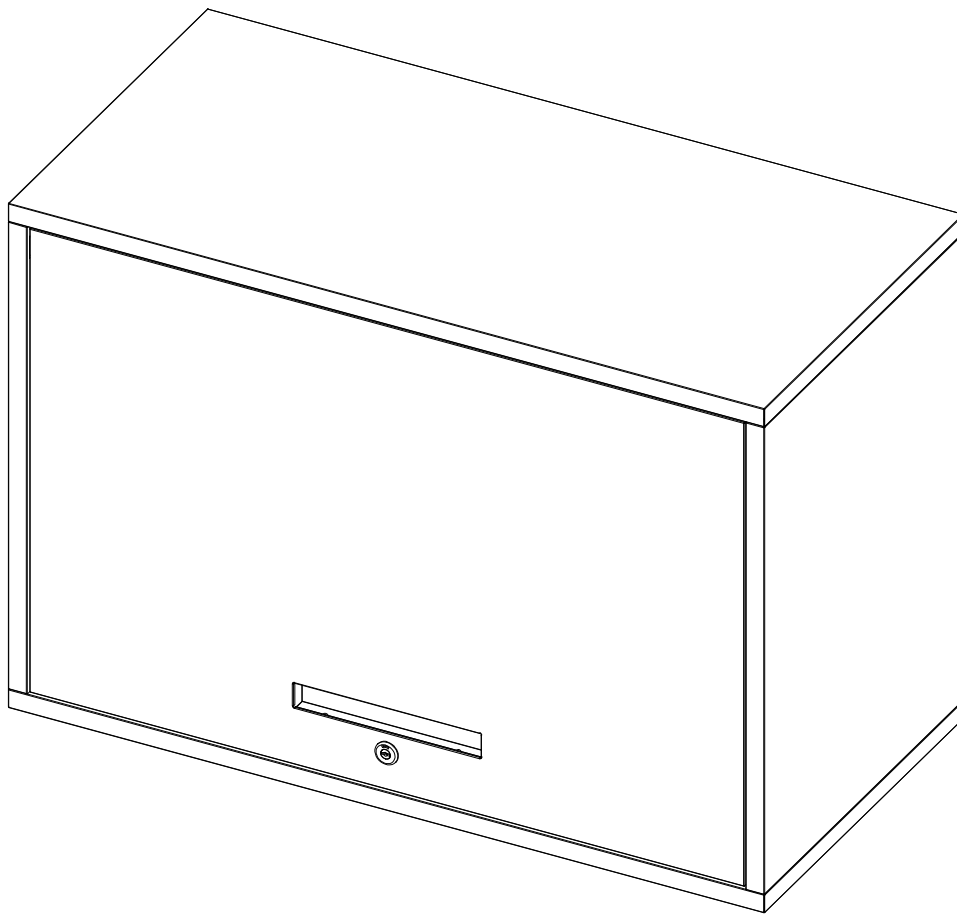
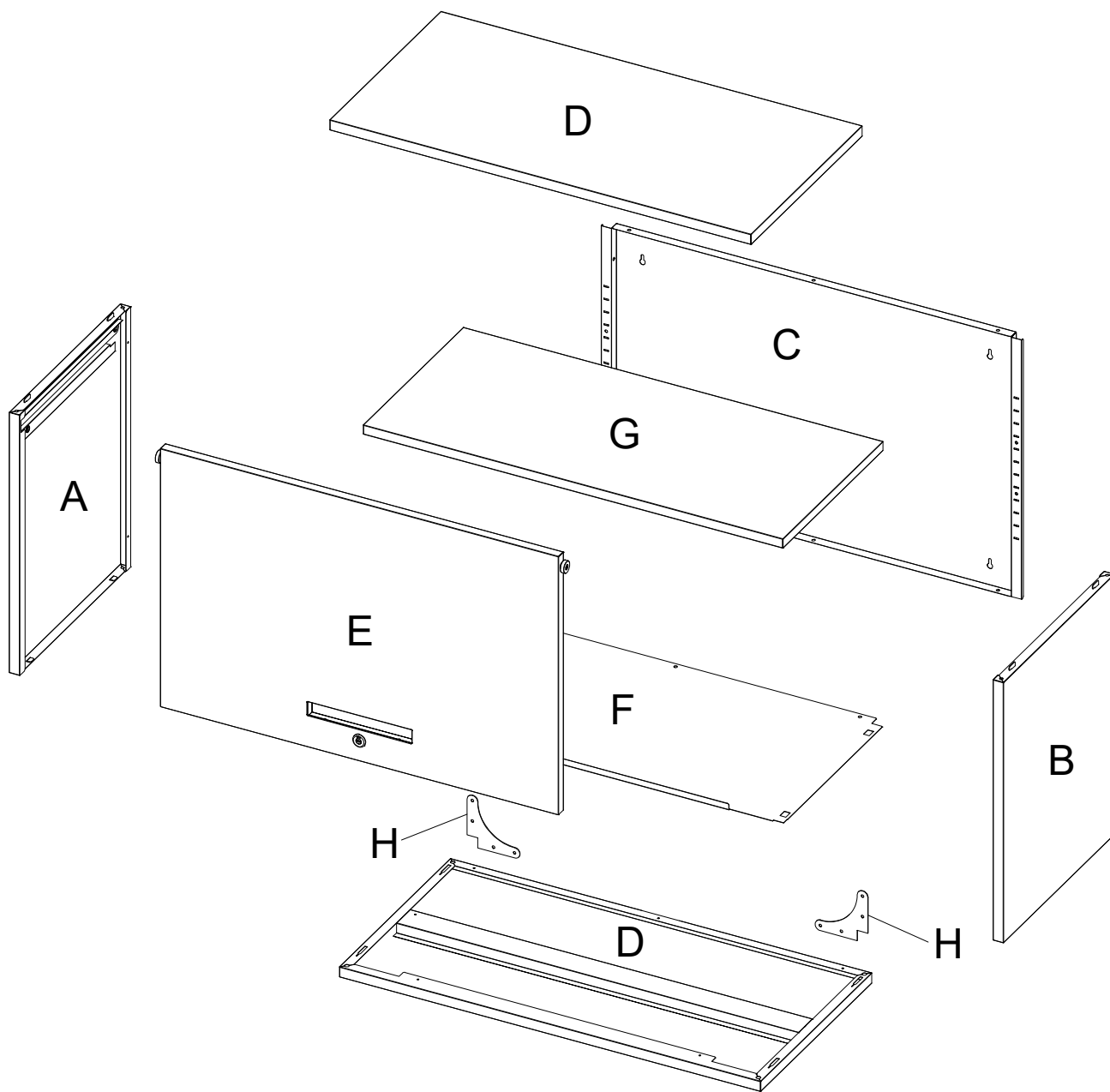


Metal Wall Storage Cabinet



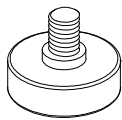
To assemble the cabinet more easily, place the product parts on a flat table to assemble.



J×20



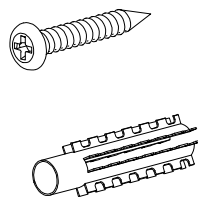
K×6



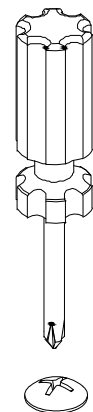
L×2



M×4



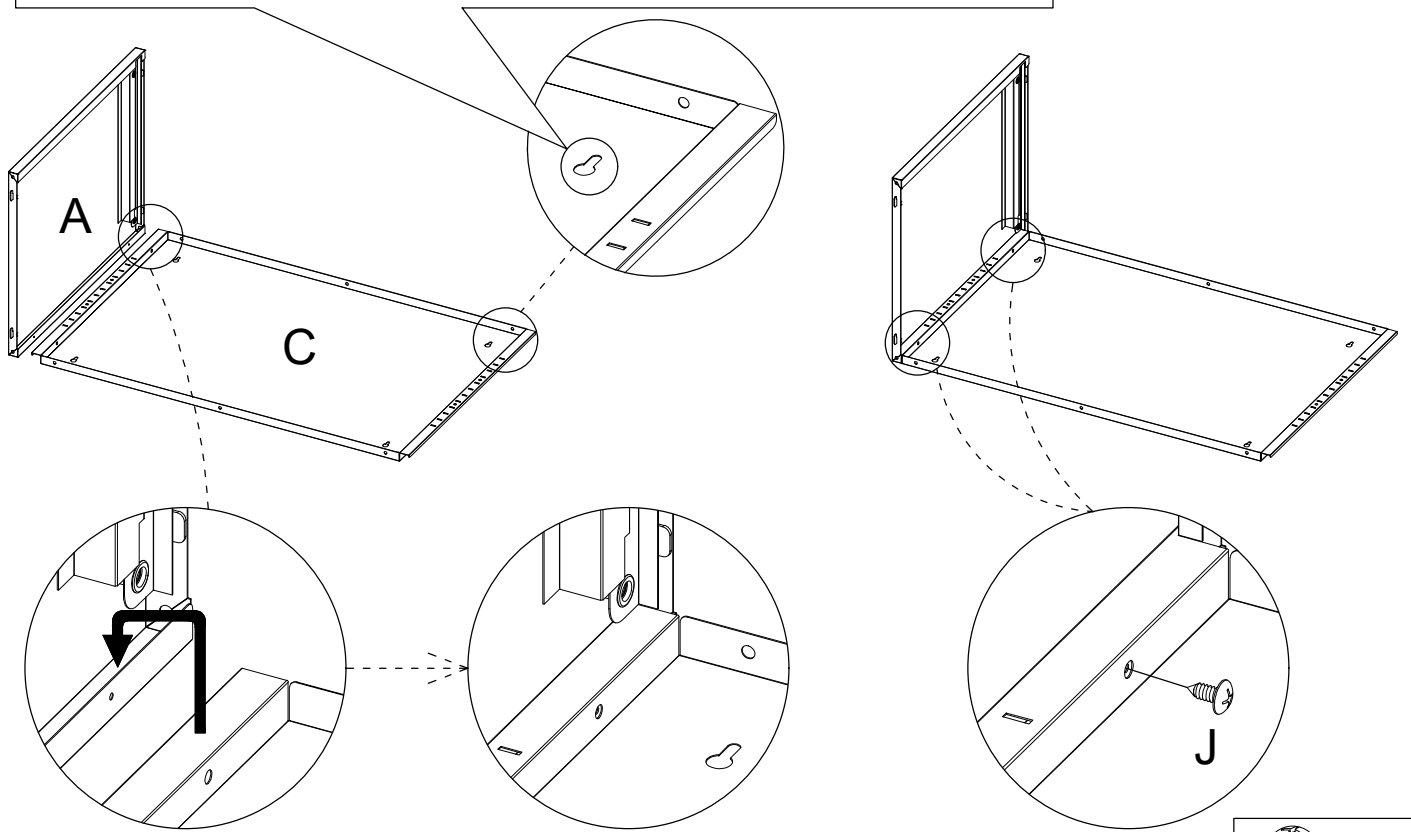
N×4



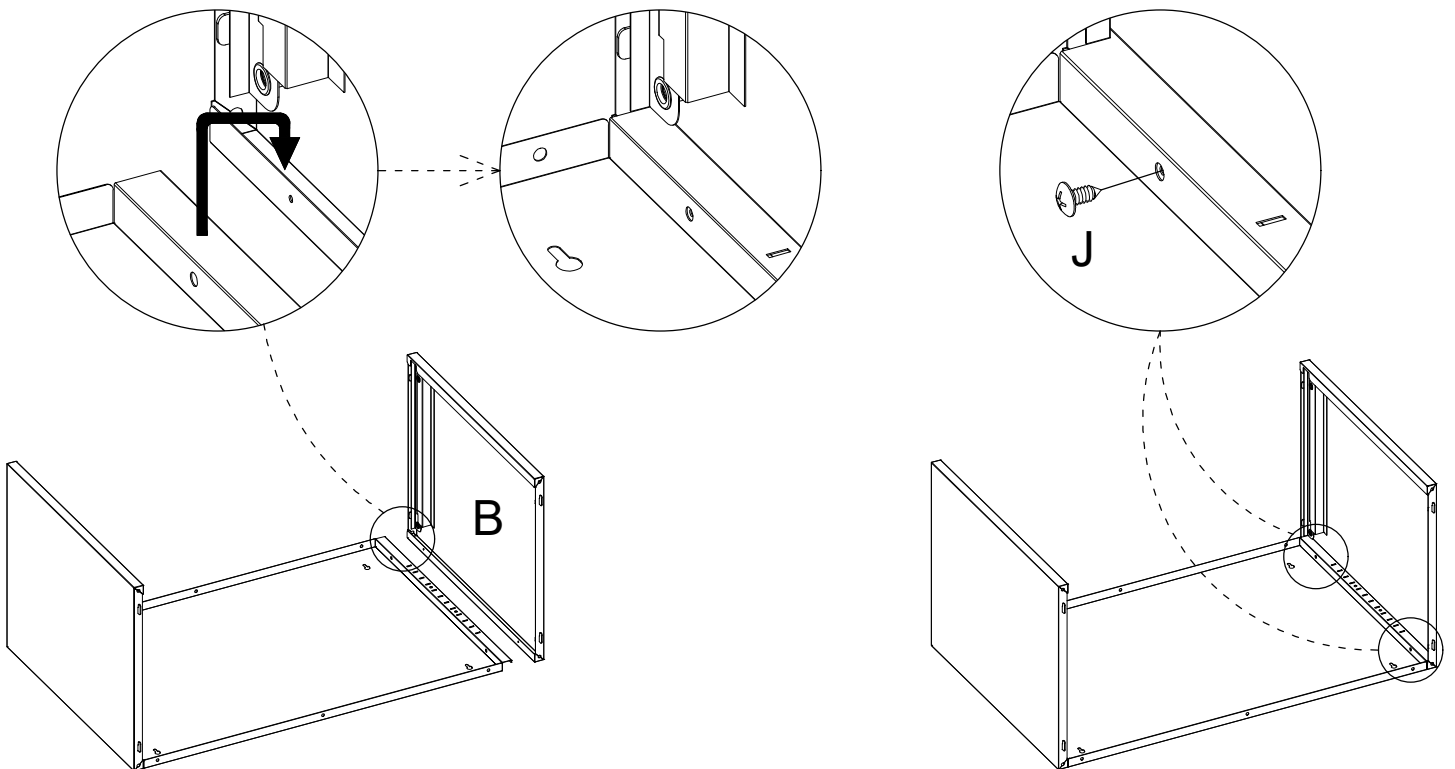
1

Simply overlap each sidewall in the channel of the rear wall and put two screws on each side to hold them in place.

Before assembling, please distinguish the orientation of Part C and make sure that the smaller hole in the illustration is facing up.

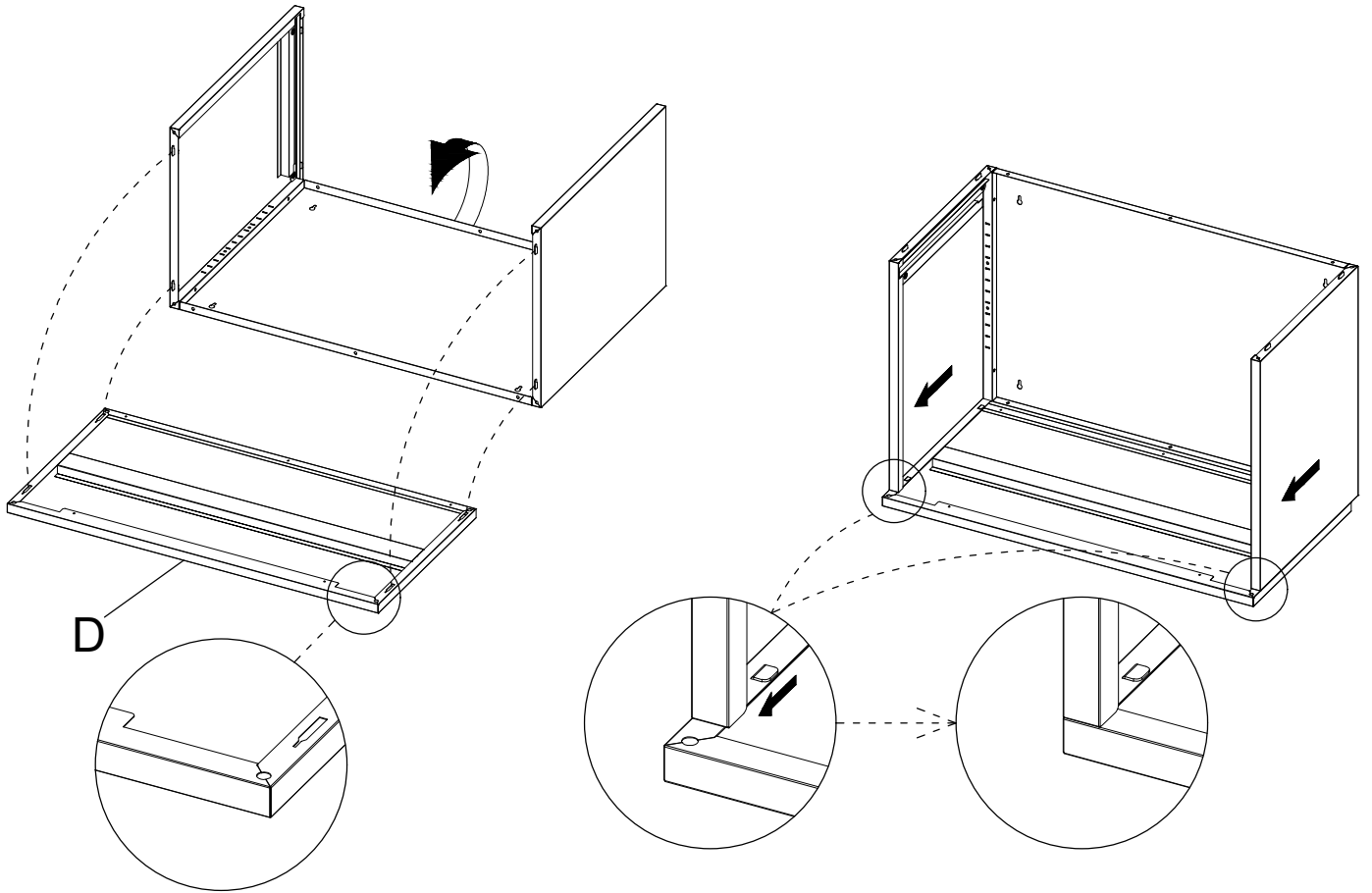


2

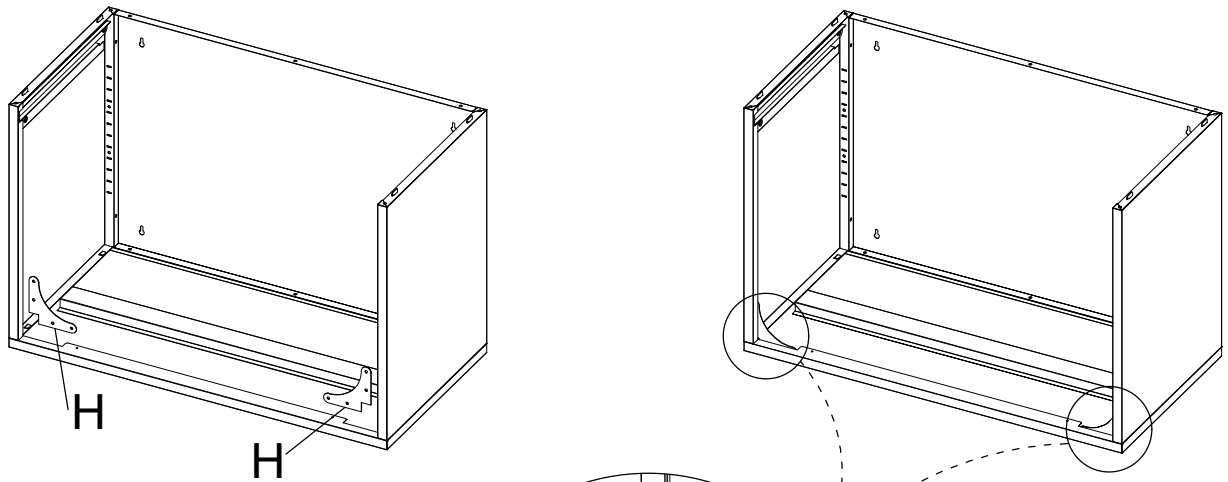


3

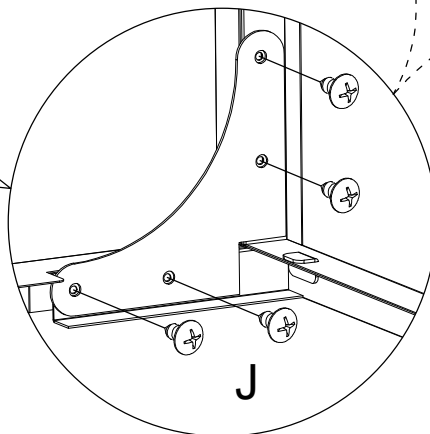
Flip the frame assembled in the previous step upright and insert the four small tabs on its bottom into the four long slots in Part D. Then pull the frame toward the front to secure them in place.



4

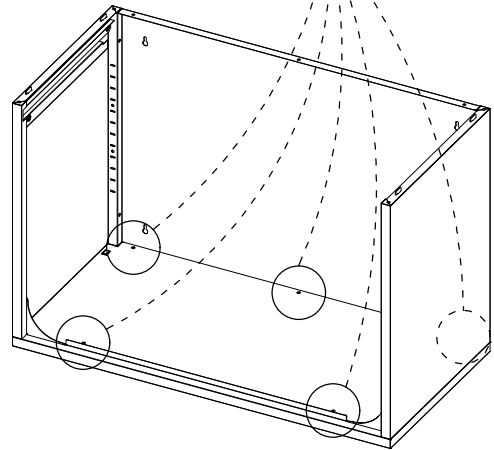
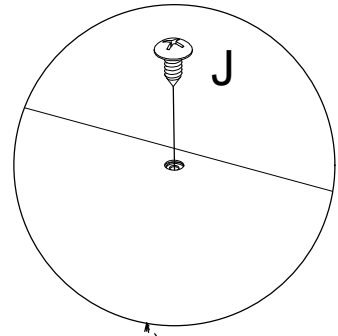
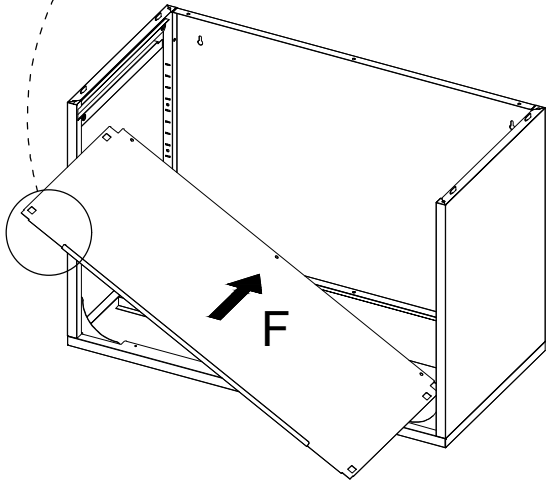
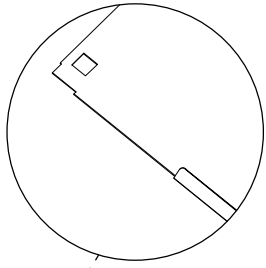


Fix Parts H with screws from the inside of the cabinet.



5

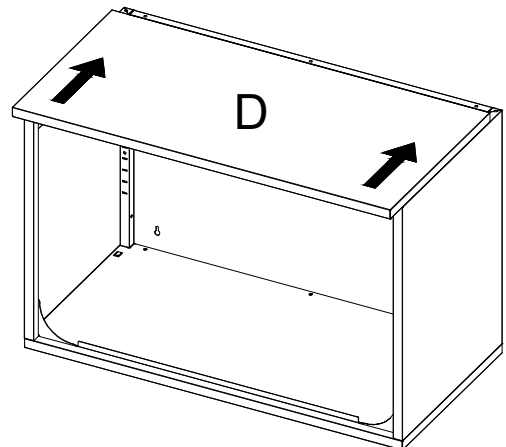
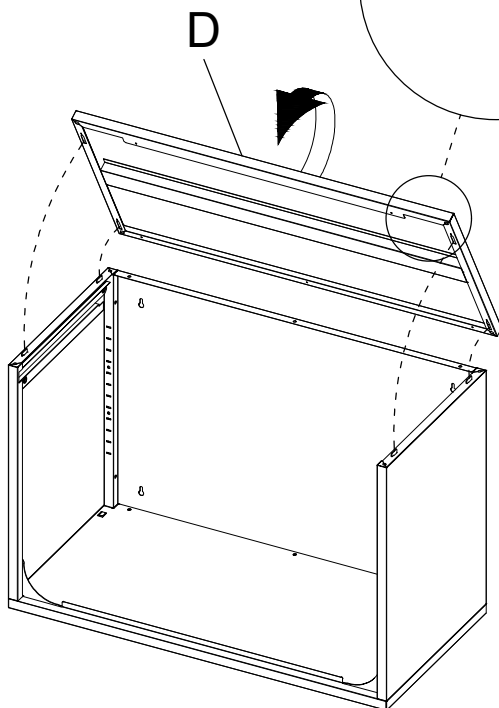
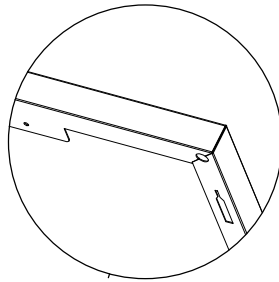
Place part F with the side with the folded up metal edge facing up and put in the five screws to hold it in place.



J×5

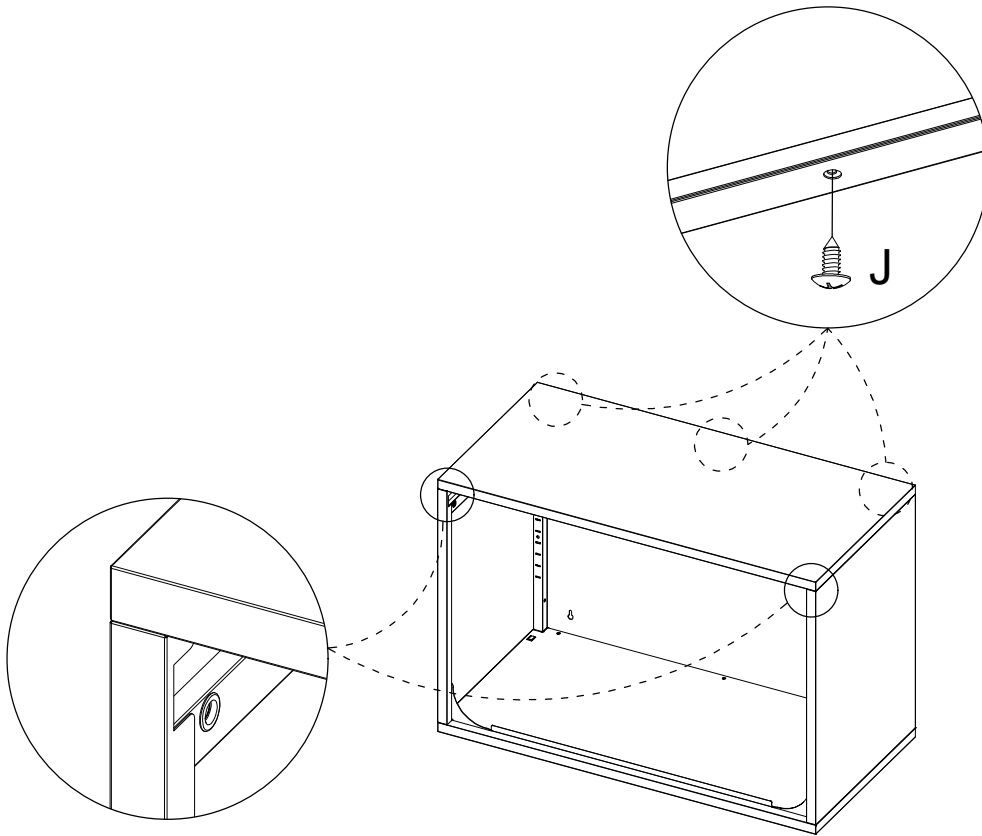
6

Align the four long slots of Part D with the four small tabs on the top of the side panels and make sure that all four small tabs are fully inserted into the long slots, and then push Part D backward in a level motion.



7

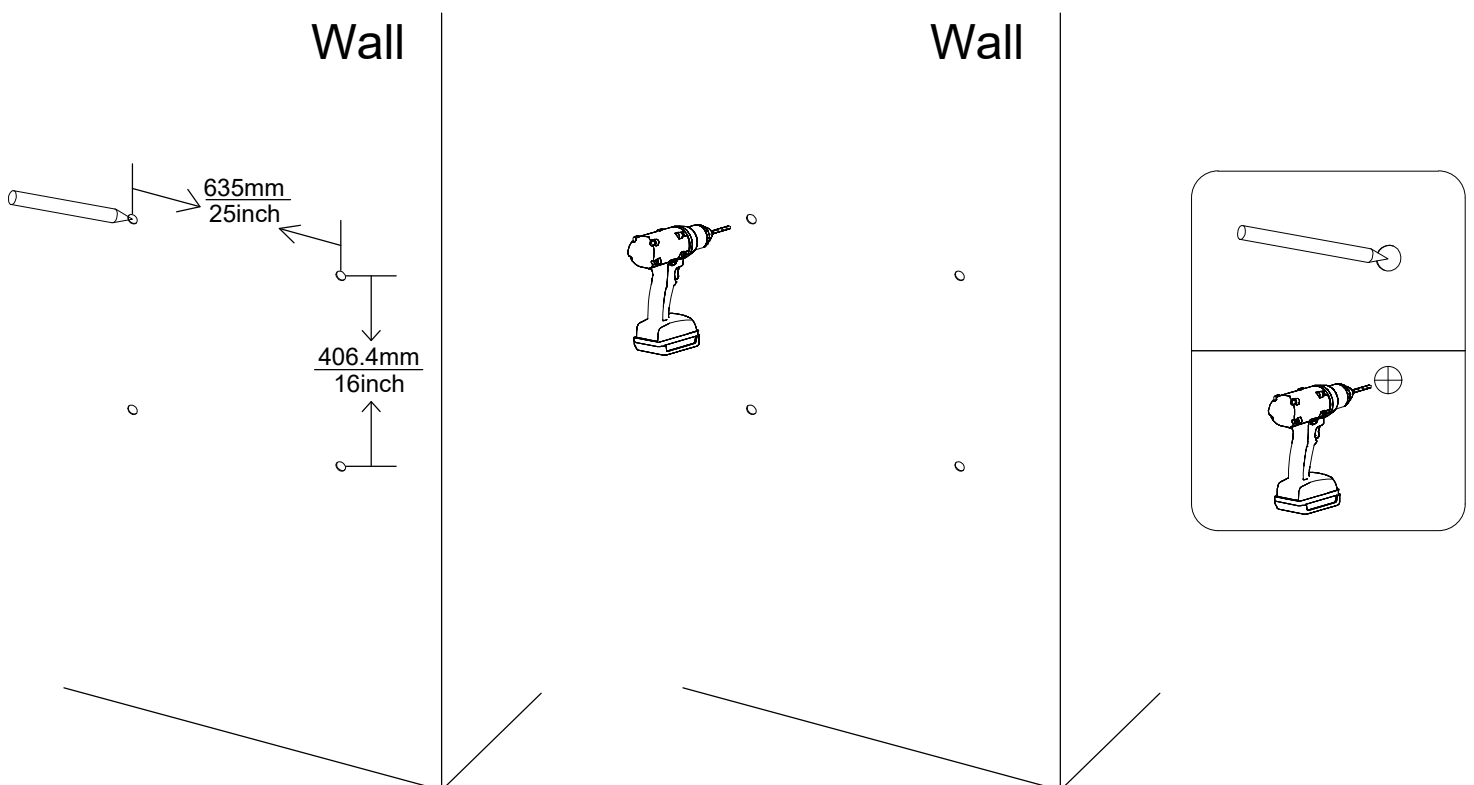
Push part D to the end and then place three screws from the inside to hold it in place.



 J×3

8

Punch four suitable holes in the wall in accordance with the position of the four hanging holes in the back of the cabinet, making sure that the upper two holes are on a horizontal line. The horizontal two holes are 25 inches apart and the vertical two holes are 16 inches apart.

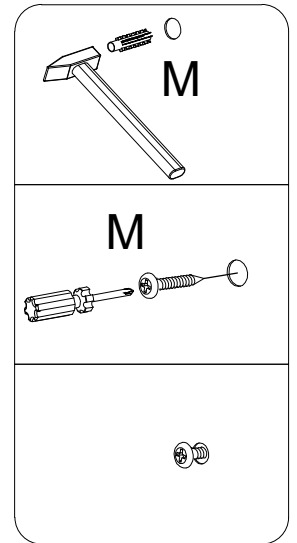
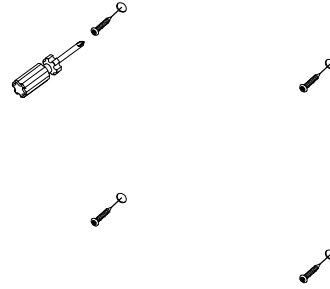
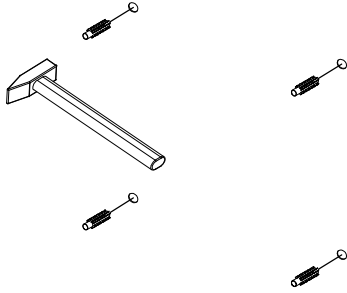


9

Tap the four expansion tubes completely into the holes.
Put in the four screws and do not screw them in completely.

Wall

Wall

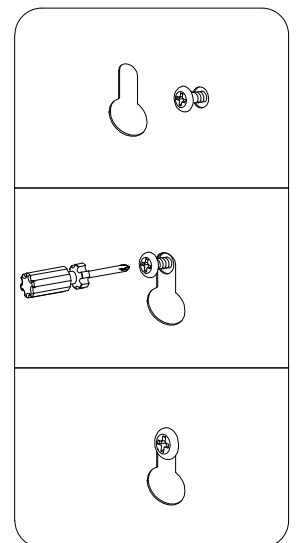
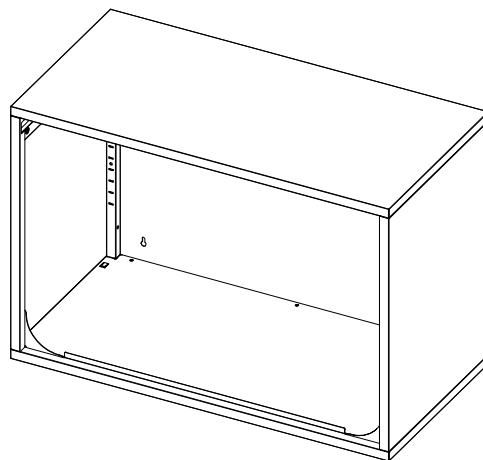


M×4

10

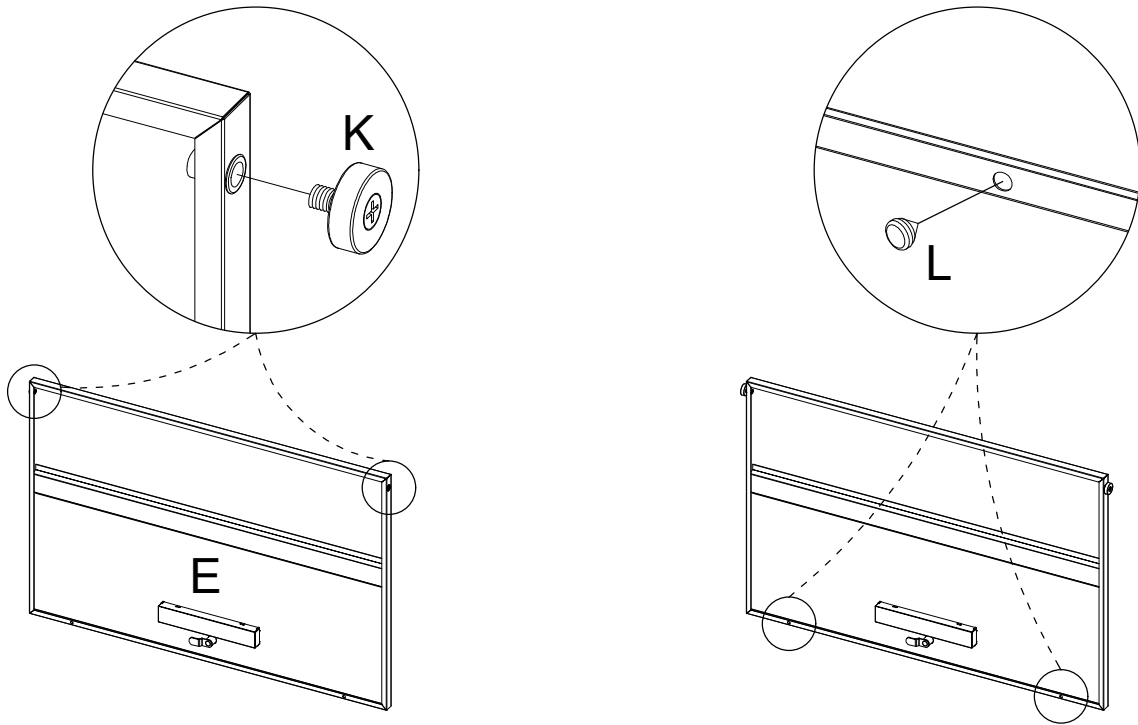
Align the four hanging holes on the back of the cabinet with the four screws on the wall, then hang the cabinet on the wall and finally tighten the screws completely.

Wall



11

Put two Parts K and two Parts L on Part E.



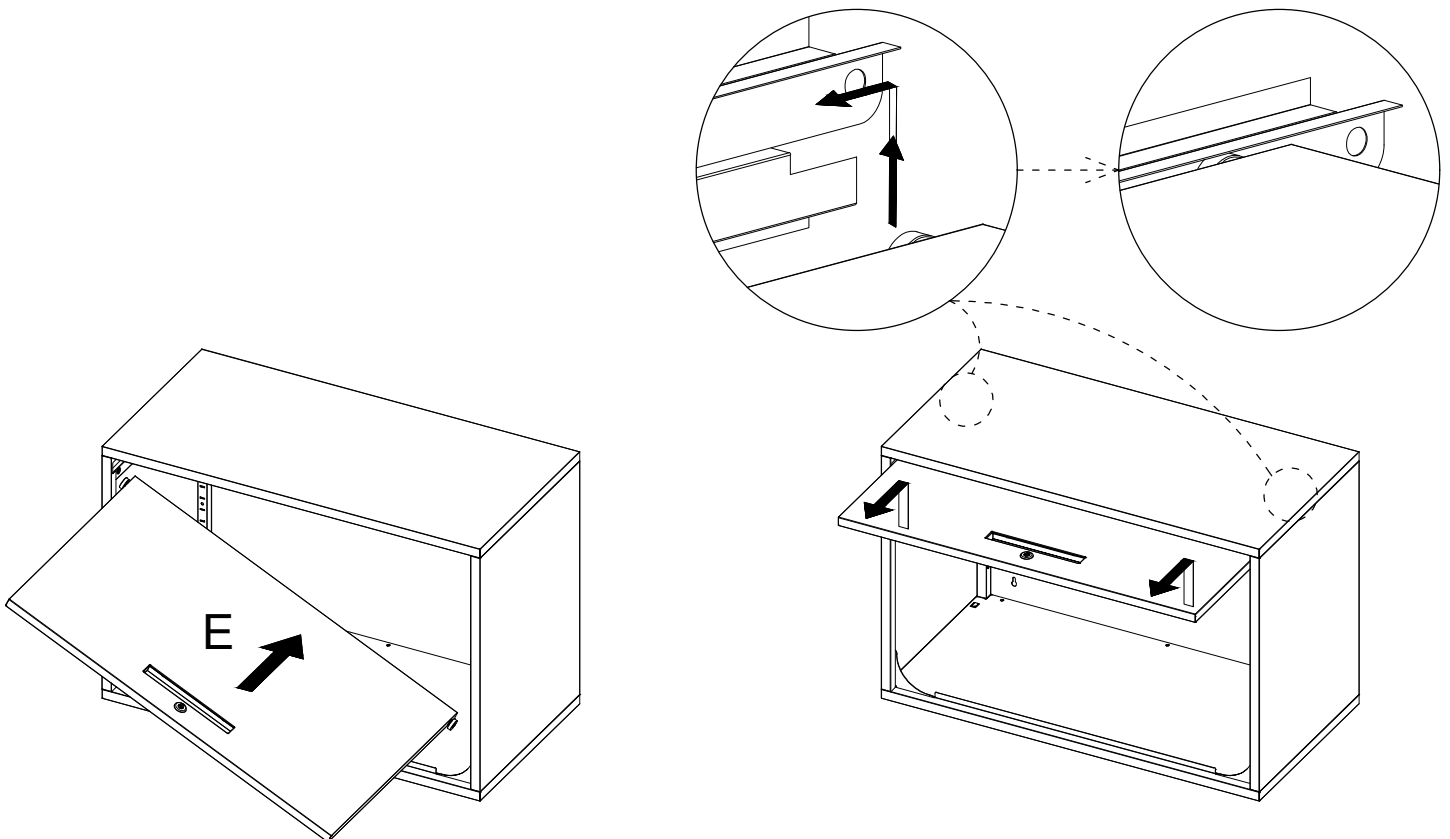
K×2



L×2

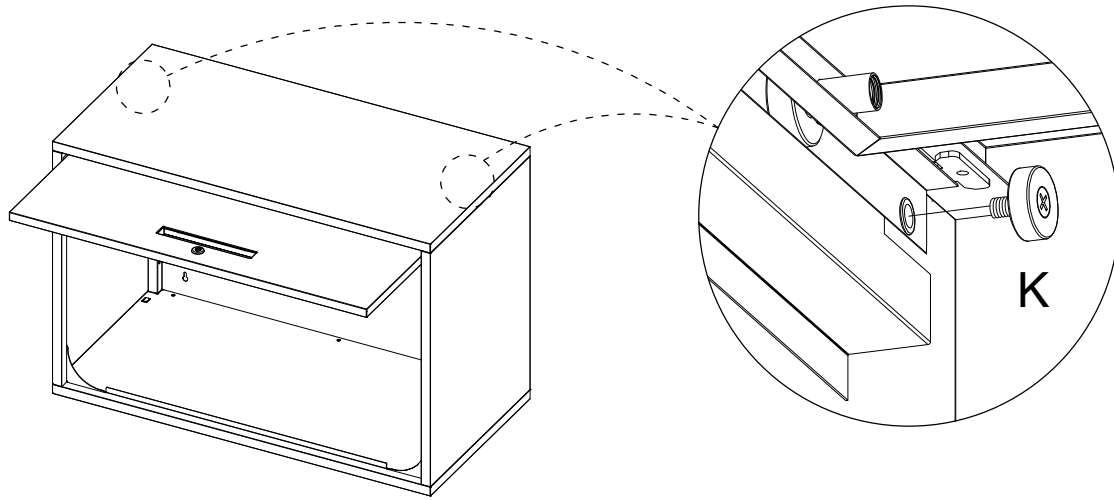
12

Put the two pulleys on Part E into the channel from the back.
Keep holding Part E by hand to avoid dropping it, as the pulleys will move.



13

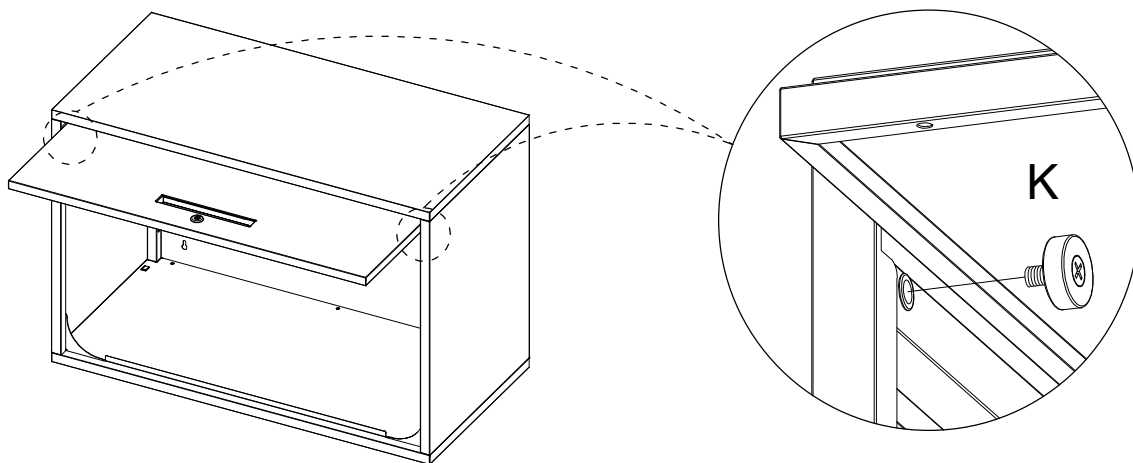
pull out Part E half and lift it slightly, screw the two bolts with pulleys K into the holes on the left and right sides of the back.



 K×2

14

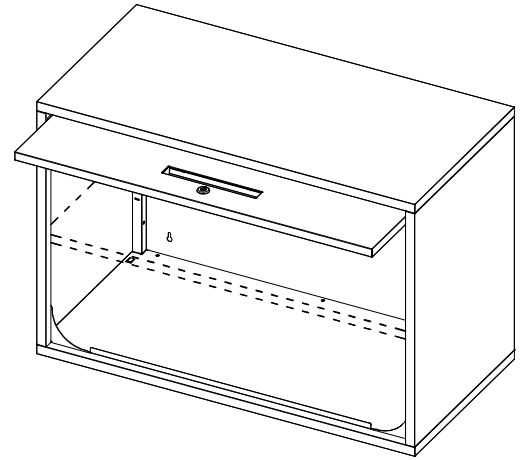
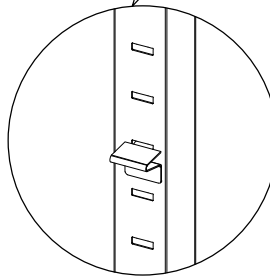
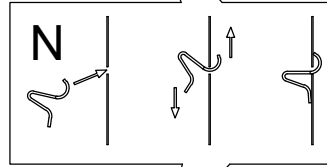
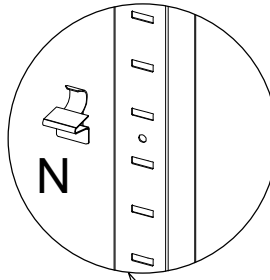
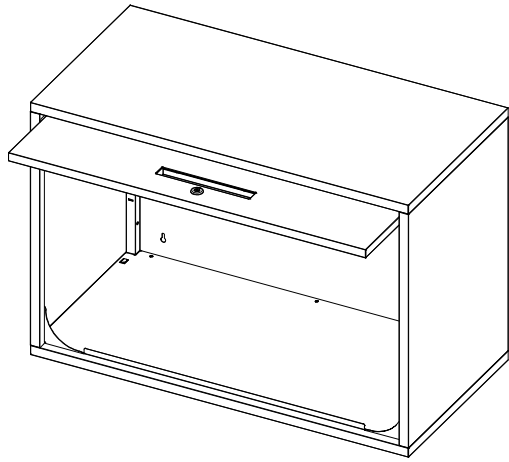
lift Part E slightly, then put in the bolts with pulleys K on the left and right sides near the front.



 K×2

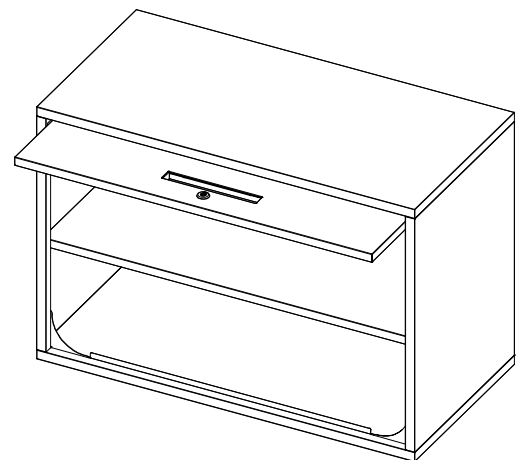
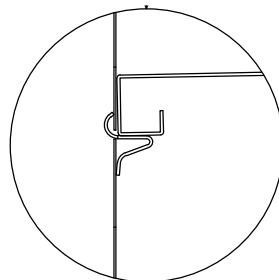
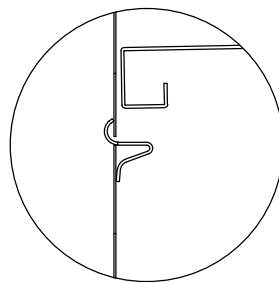
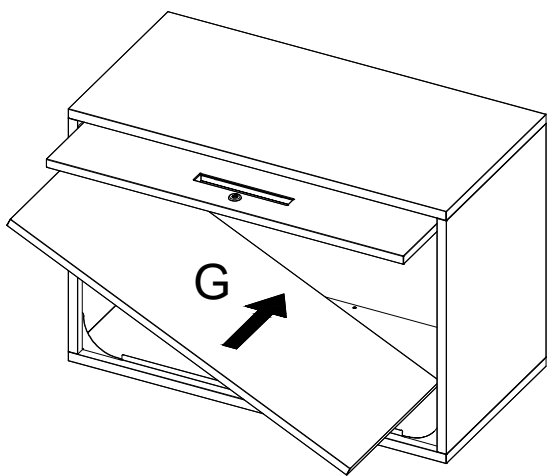
15

Put four support clips N in the four corners of the cabinet, taking care to place them on the same level.

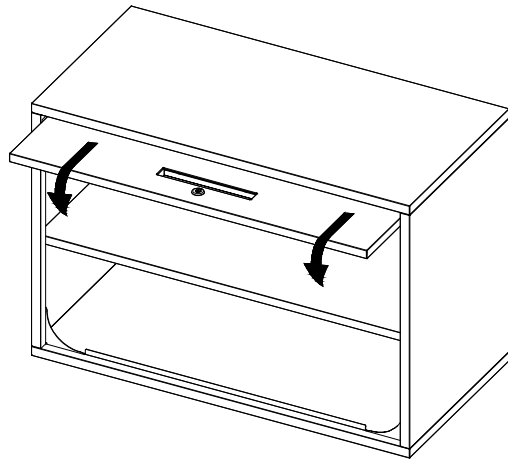


 N×4

16



17



18

