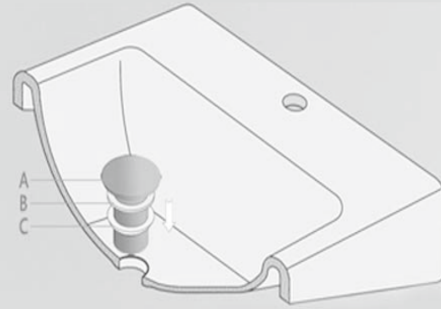
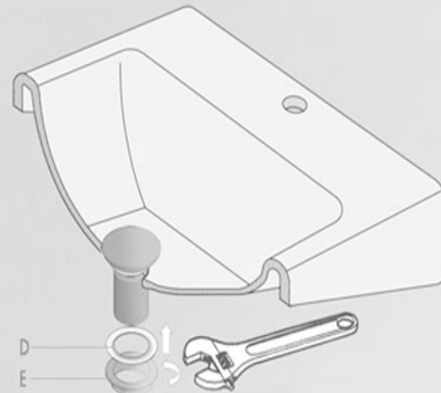


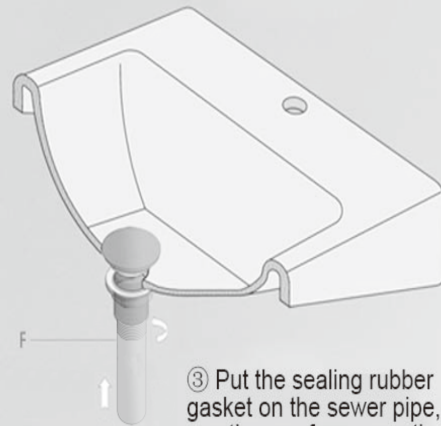
- A Cover and body
- B Sponge sealing ring
- C Silicone up sealing ring
- D Silicone down sealing ring
- E Hexagon lock nut
- F Sewer pipe



① Put the body and sealing ring into the hole as is shown.
 Notes: If it is high enough, then part B is unnecessary.



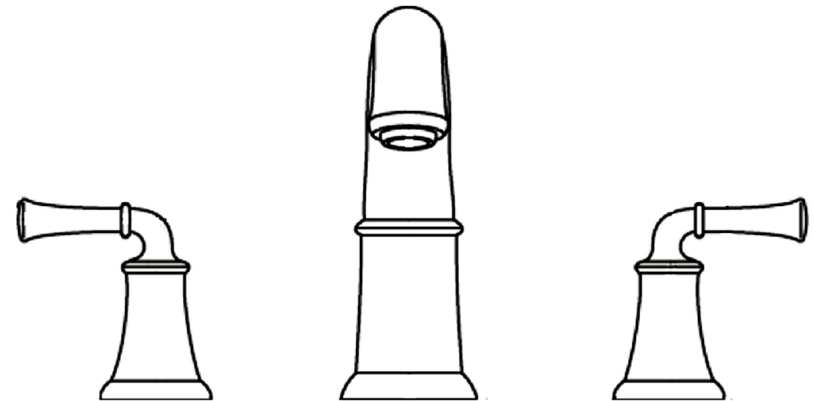
② Install the silicone down sealing ring first, Use wrench to tighten the hexagon lock nut widdershins.



③ Put the sealing rubber gasket on the sewer pipe, use the cap for connection.

Wovier ISO 9001

Global Leading Sanitary Ware Brand
 Enjoy Life From Choosing Us!



Wovier Sanitary Ware Co., Ltd.

Web: www.wovier.com



Facebook Search: Wovier
Facebook Link: <https://www.facebook.com/Wovier/>

To obtain service or information
 Please email to:
service@wovier.com

Wovier

Installation Guide

Tools you will need



Wrench



Sealant Tape

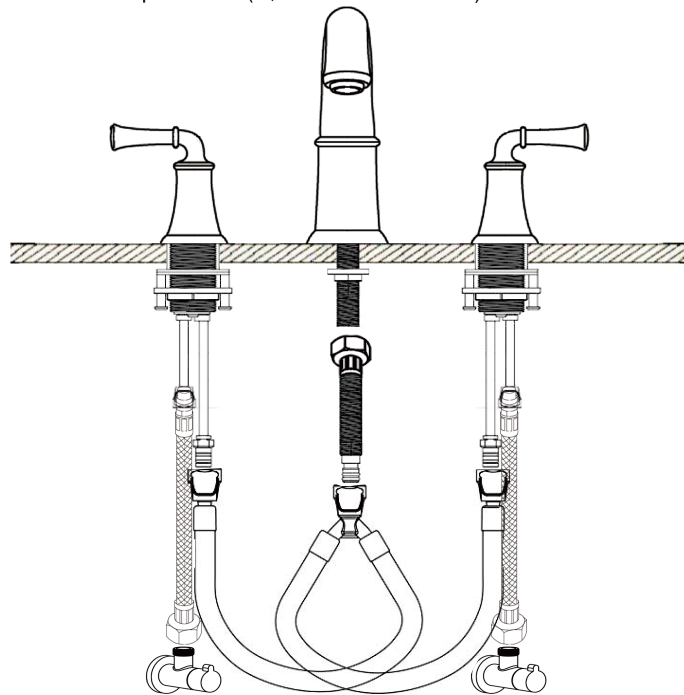
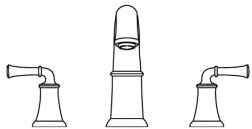


Rags

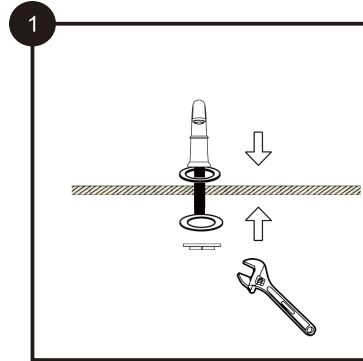
Before Installation

- Make sure you have all necessary parts by checking the diagram and parts list.
- Turn off the hot and cold water supply at the angle stops and turn on the old faucet to release any built up pressure. Remove existing faucet. Clean sink or countertop in preparation for new faucet.
- Shut off angle stops.
- Pre-drilled hole size requirement: 1-1/10" (min)-1-3/8" (max)
 Max countertop thickness without deck plate: 1-1/2" (1 hole install)
 Max countertop thickness with deck plate: 1" (1, 2 or 3 hole install)

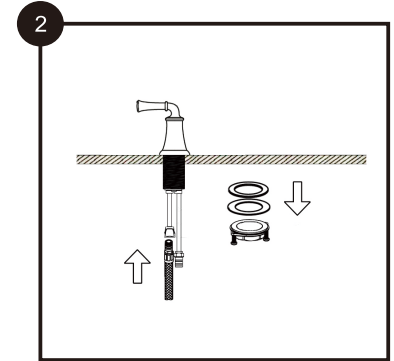
Note: Style may vary by model.



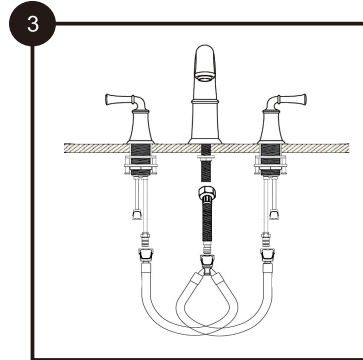
Overall Installation Sketch Map



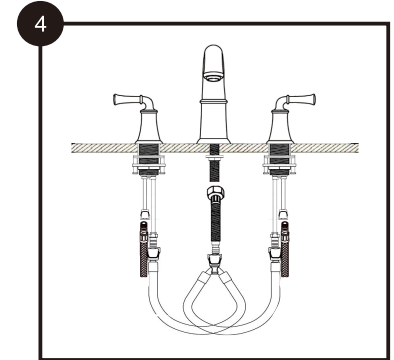
1. Place spout in center hole of sink. Assembly washer and tighten the lock nut to it. Connect the T-valve to the spout body using the wrench.



2. Place the handle body through right /left hole.



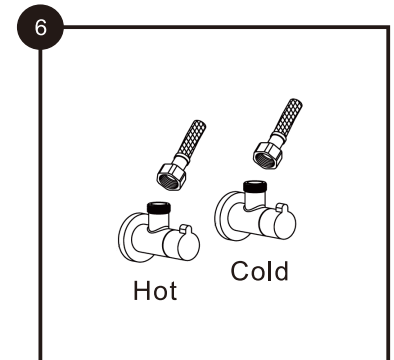
3. Assemble the rubber washer, washer and tighten with lock nut. Use holes to connect spout to 2 handle control with fast connector.



4. Connect water supply tube to valve body and tighten with lock nut. Do not allow the water supply brass tube to twist. Use two wrenches, as shown in the diagram, tighten the water hose.



5. This is the physical installation diagram of the hose. Please install the hose in the position shown above.



6. Attach two flexible hoses to two water supplies.