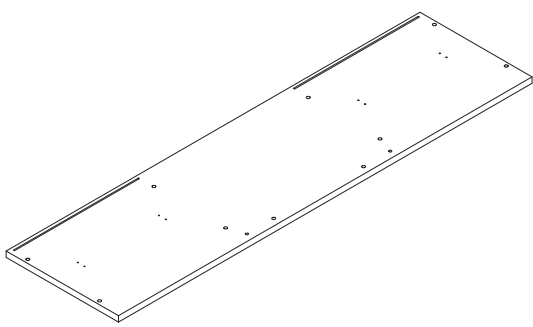
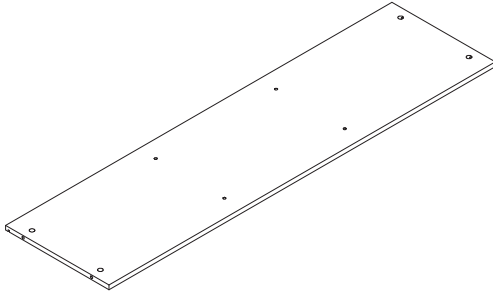
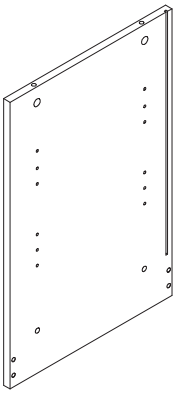
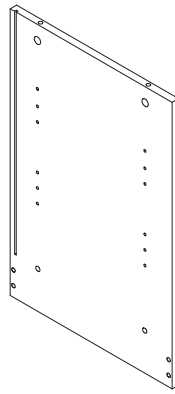
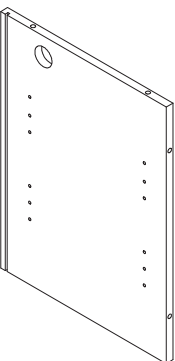
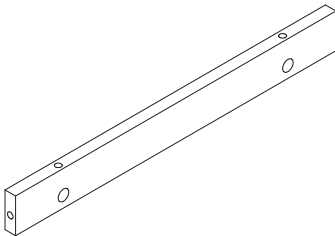


Attention: The Fireplace and TV stand come in two packages. May deliver on different days.



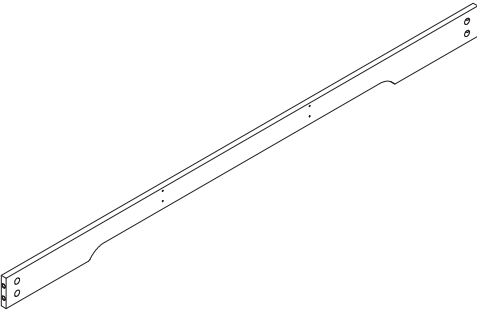
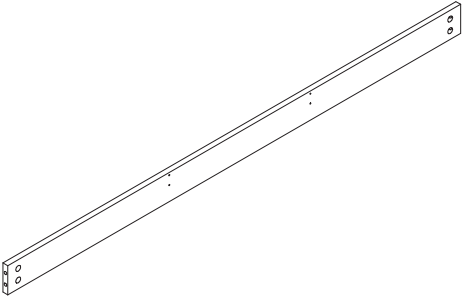
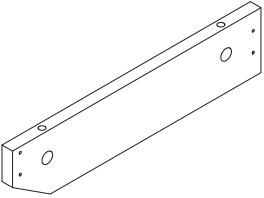
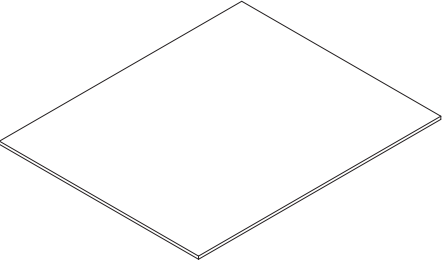
Attention: The LED light strip comes with fireplace. Please install the light strip after receive all the two packages.

Thanks.

Parts list

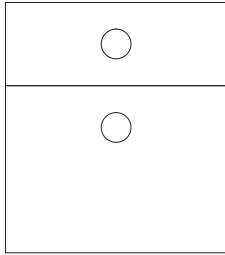
<p>①</p>  <p>1PC</p>	<p>②</p>  <p>1PC</p>
<p>③</p>  <p>1PC</p>	<p>④</p>  <p>1PC</p>
<p>⑤</p>  <p>1PC</p>	<p>⑥</p>  <p>1PC</p>

Parts list

<p>⑦</p>  <p>1PC</p>	<p>⑧</p>  <p>1PC</p>
<p>⑨</p>  <p>1PC</p>	<p>⑩</p>  <p>1PC</p>
<p>⑪</p>  <p>1PC</p>	<p>⑫</p>  <p>4PCS</p>

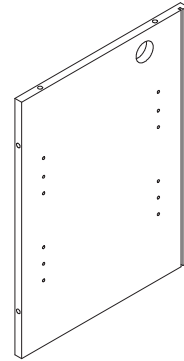
Parts list

13



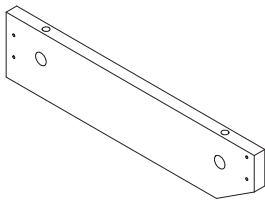
1PC

14



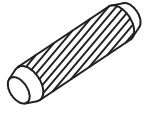

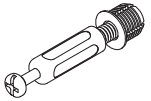


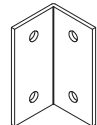
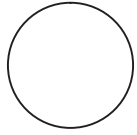
1PC

15



1PC

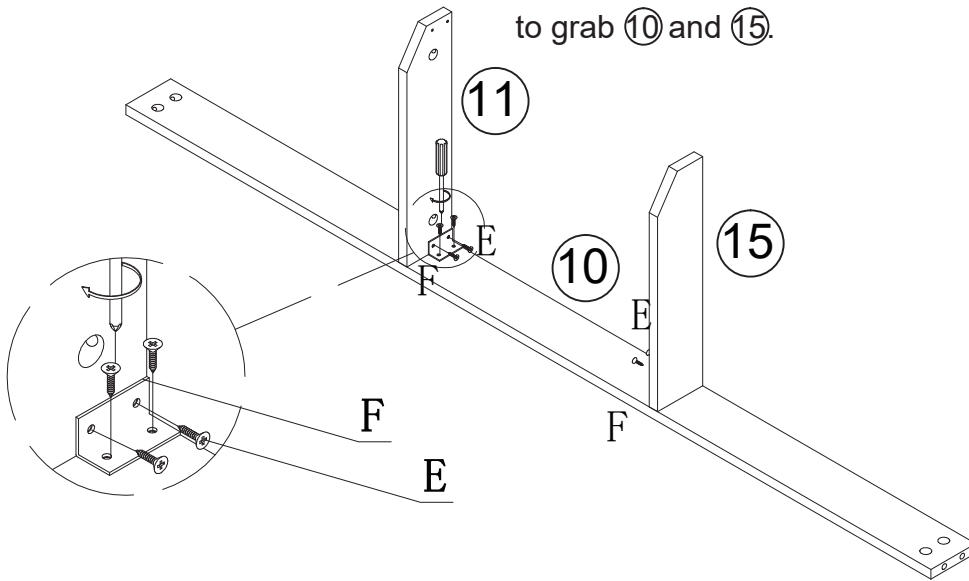
Parts list



<p>A</p>  <p>ϕ 8*30mm</p> <p>6PCS</p>	<p>B</p>  <p>ϕ 15*12mm</p> <p>34+1PCS</p>
<p>C</p>  <p>ϕ 6*43mm</p> <p>34+1PCS</p>	<p>D</p>  <p>16+1PCS</p>
<p>E</p>  <p>K3. 5*14mm</p> <p>16+1PCS</p>	<p>F</p>  <p>4PCS</p>
<p>G</p>  <p>ϕ 20mm</p> <p>16PCS</p>	

Installation steps

1.

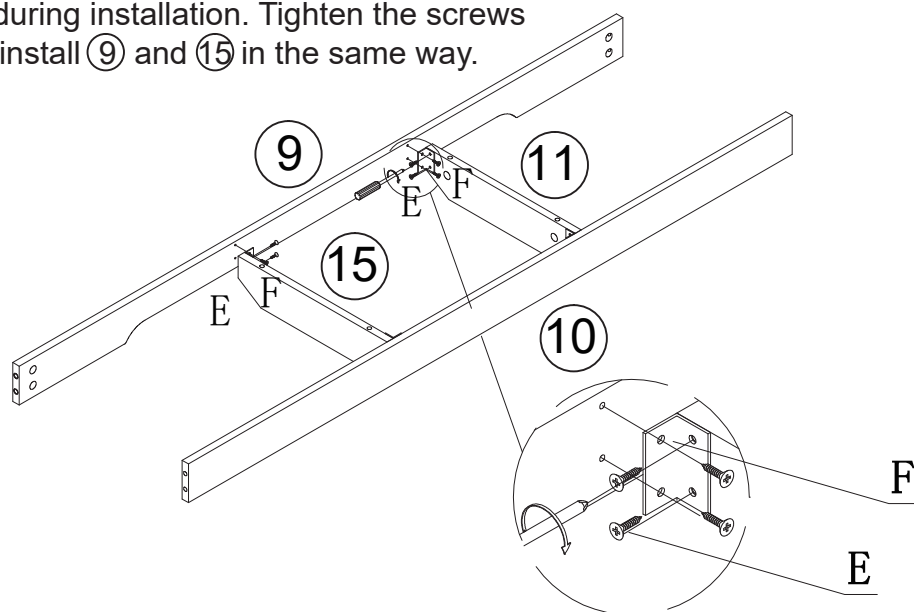
Connect ⑩ and ⑪ using 4 E and 1 F, ensuring that ⑩ and ⑪ are flush during installation. Turn the screws clockwise and use the same method to grab ⑩ and ⑮.

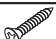



	E x 8PCS
	F x 2PCS

2.

Connect ⑨ and ⑪ with 4 E and 1 F, ensuring that they are flush during installation. Tighten the screws clockwise and install ⑨ and ⑮ in the same way.

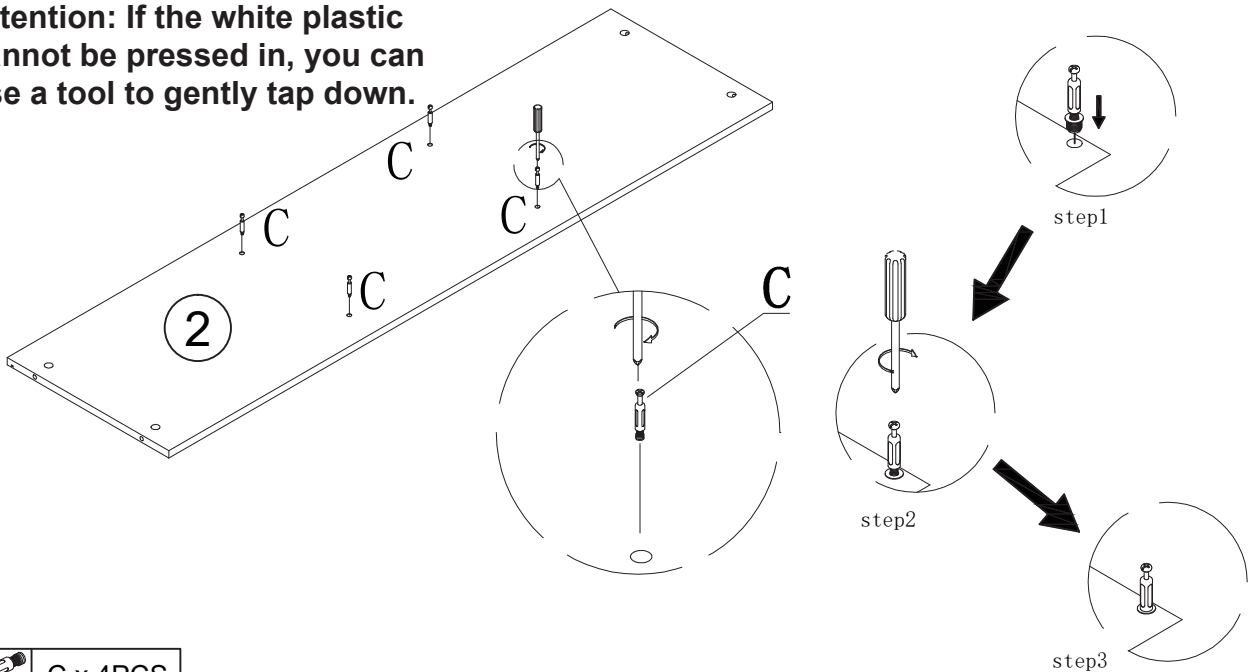


	E x 8PCS
	F x 2PCS

Installation steps

3. First, press C down into the hole until the white plastic part thread is completely inserted into the hole, and then screw the screw in clockwise.

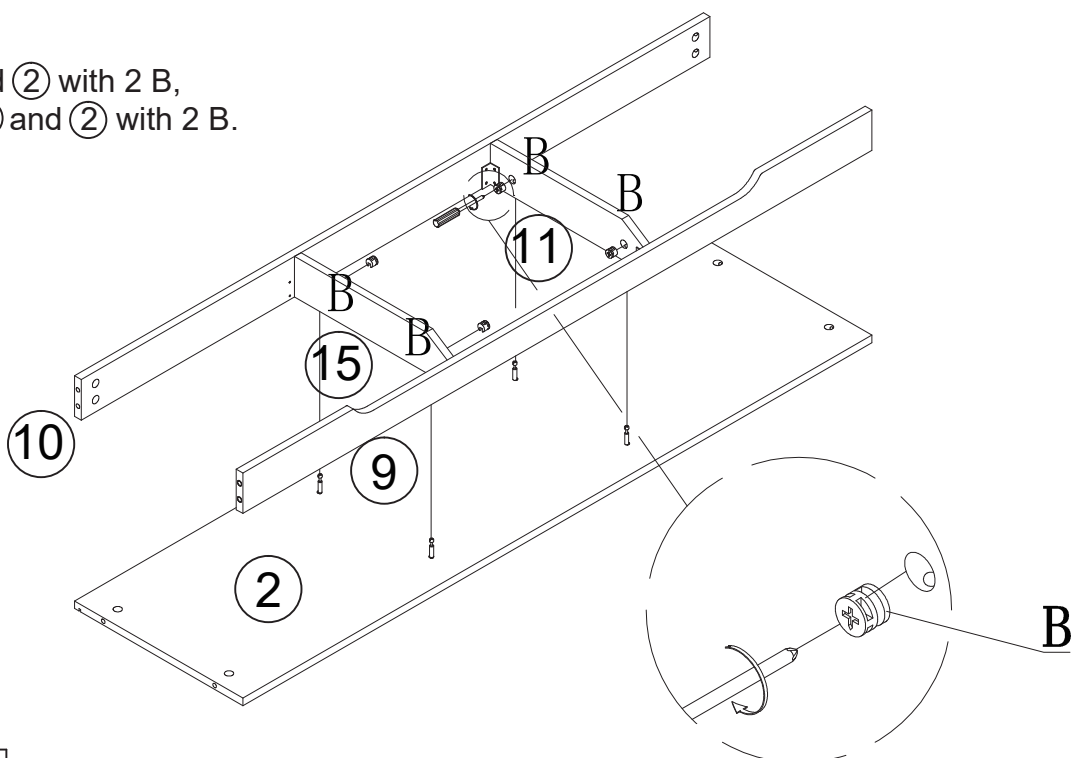
Attention: If the white plastic cannot be pressed in, you can use a tool to gently tap down.



C x 4PCS

4.

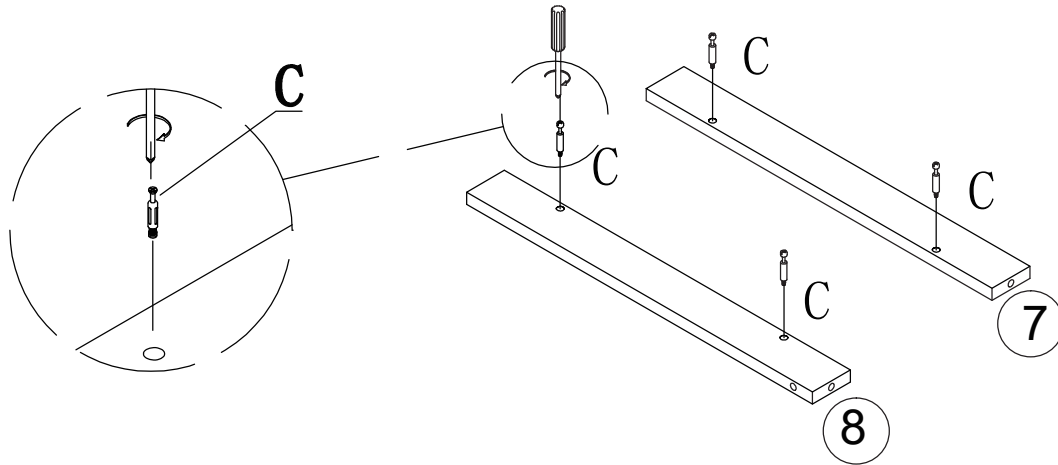
Connect ⑪ and ② with 2 B,
and connect ⑮ and ② with 2 B.



B x 4PCS

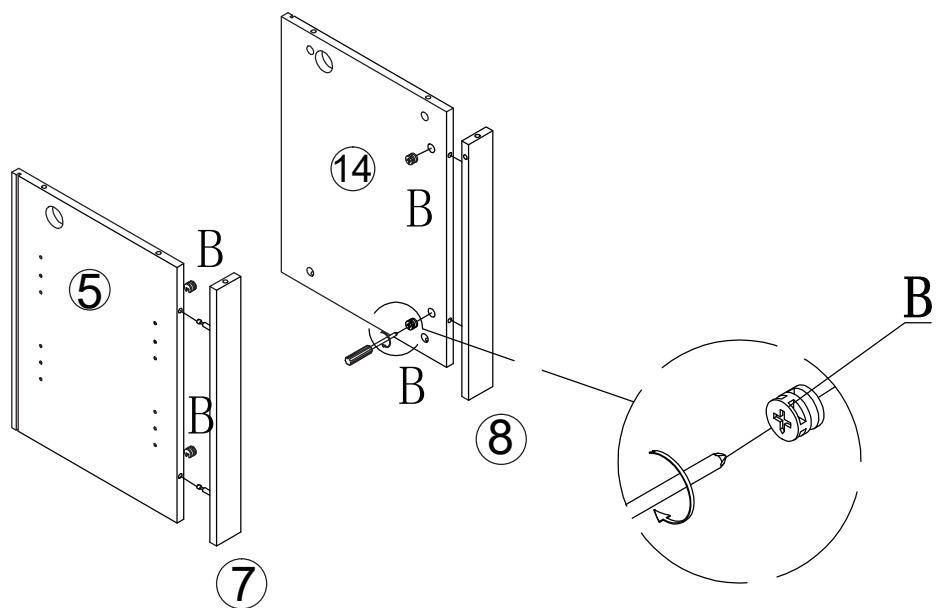
Installation steps

5.



C x 4PCS

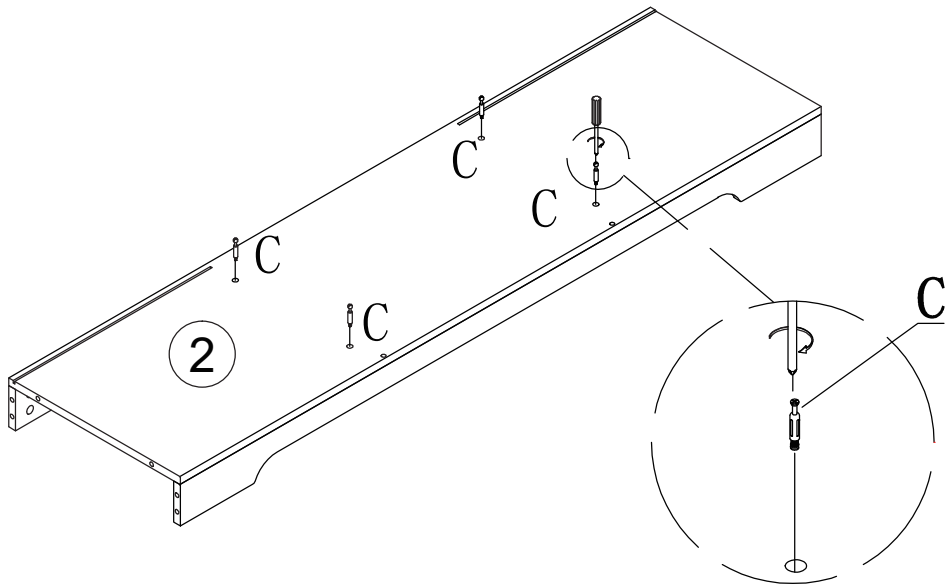
6.



B x 4PCS

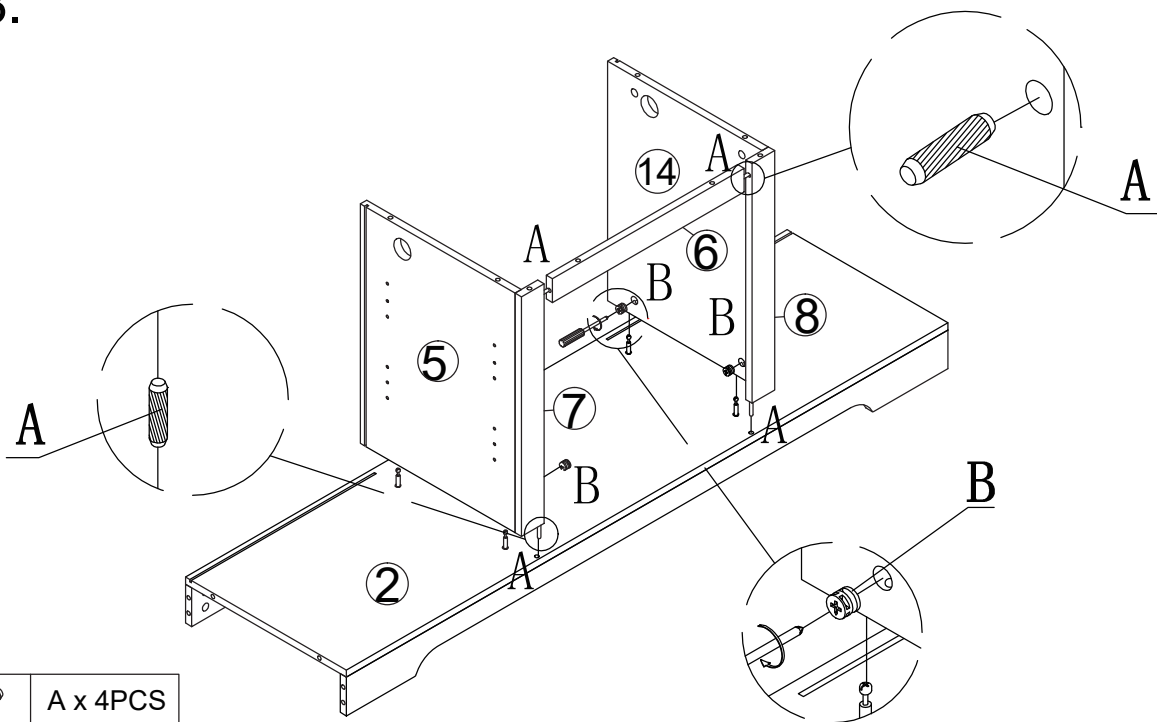
Installation steps

7.



C x 4PCS

8.



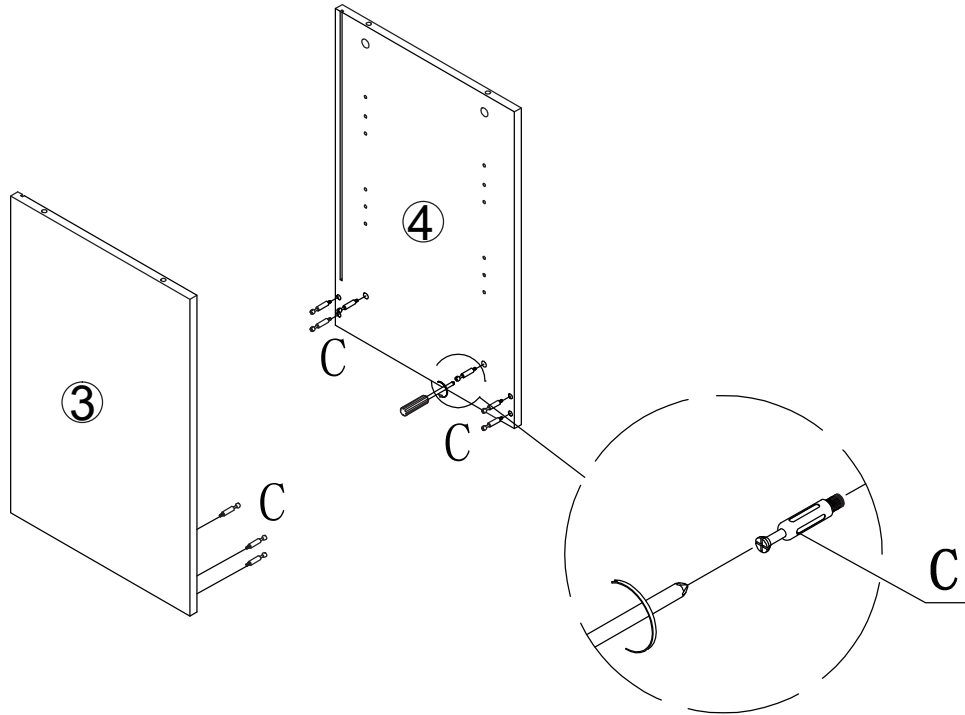
A x 4PCS



B x 4PCS

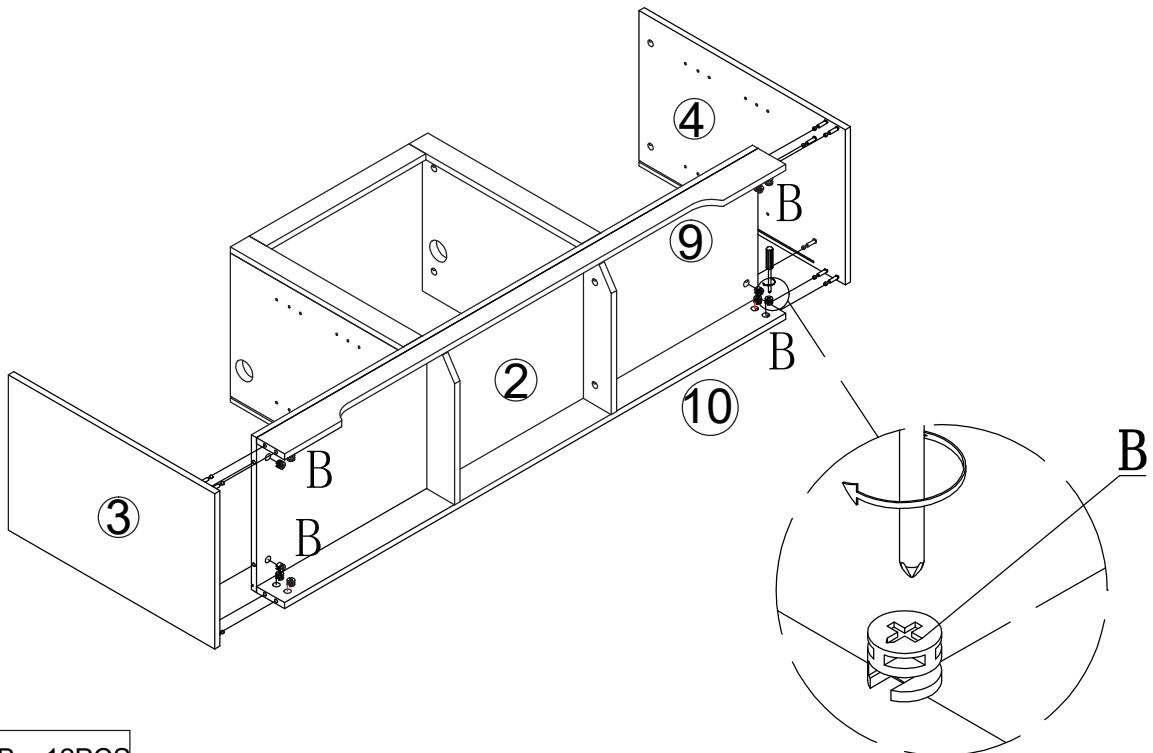
Installation steps

9.



C x 12PCS

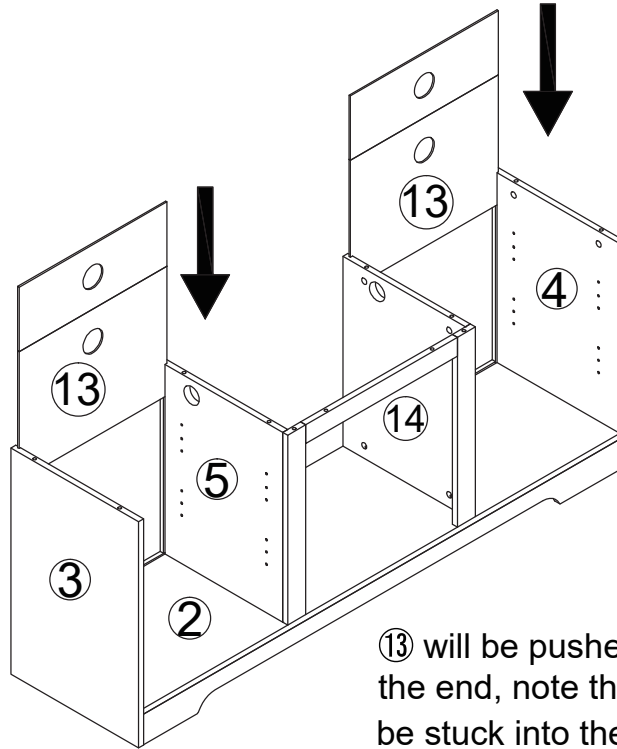
10.



B x 12PCS

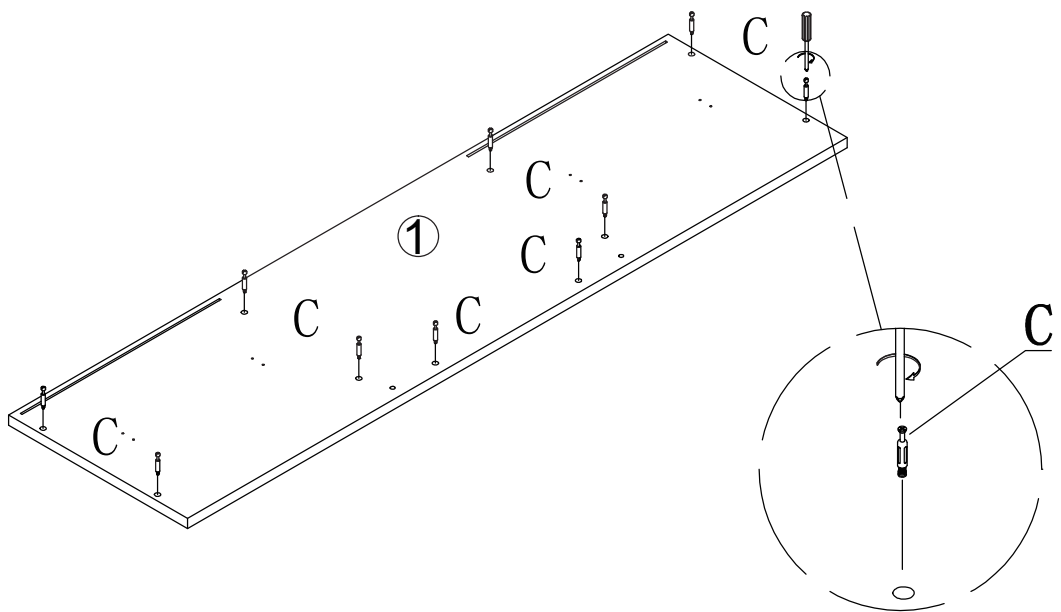
Installation steps

11.



⑬ will be pushed along the groove to the end, note that the end also needs to be stuck into the groove of ②

12.

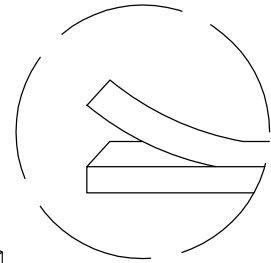
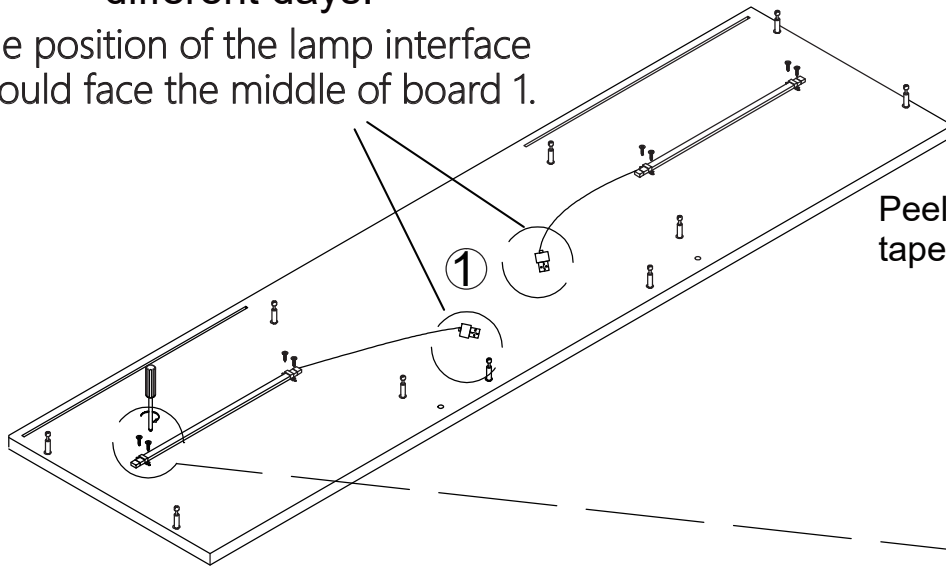


C x 10PCS

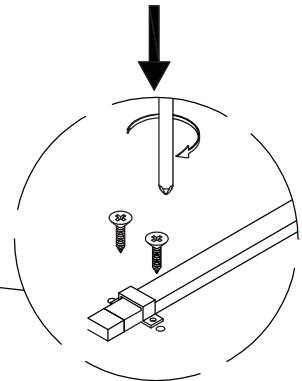
Installation steps

13. Attention: The Fireplace and TV stand come in two packages. May deliver on different days.

The position of the lamp interface should face the middle of board 1.



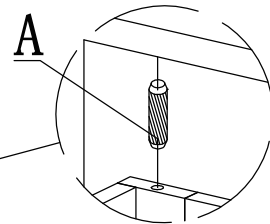
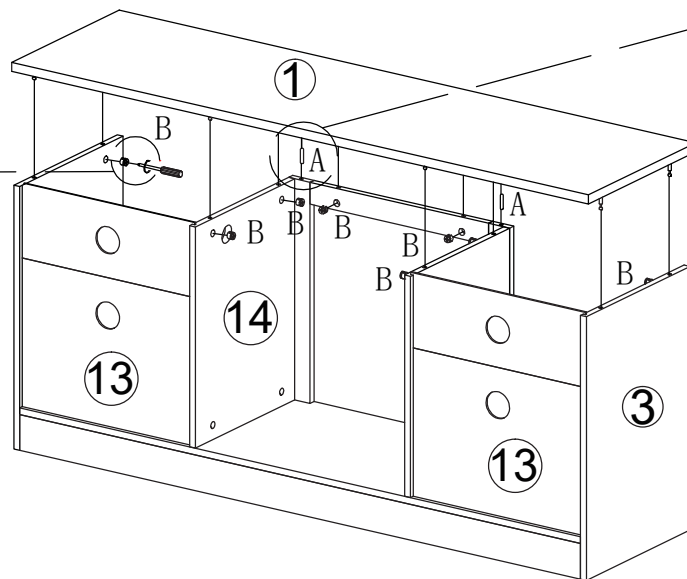
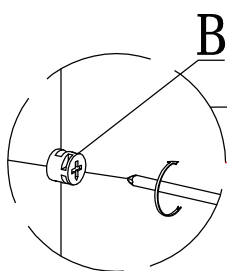
Peel off the double-sided tape and stick on the board





Attention: The LED light strip comes with fireplace. Please install the light strip after receive all the two packages. Thanks.

- 14.

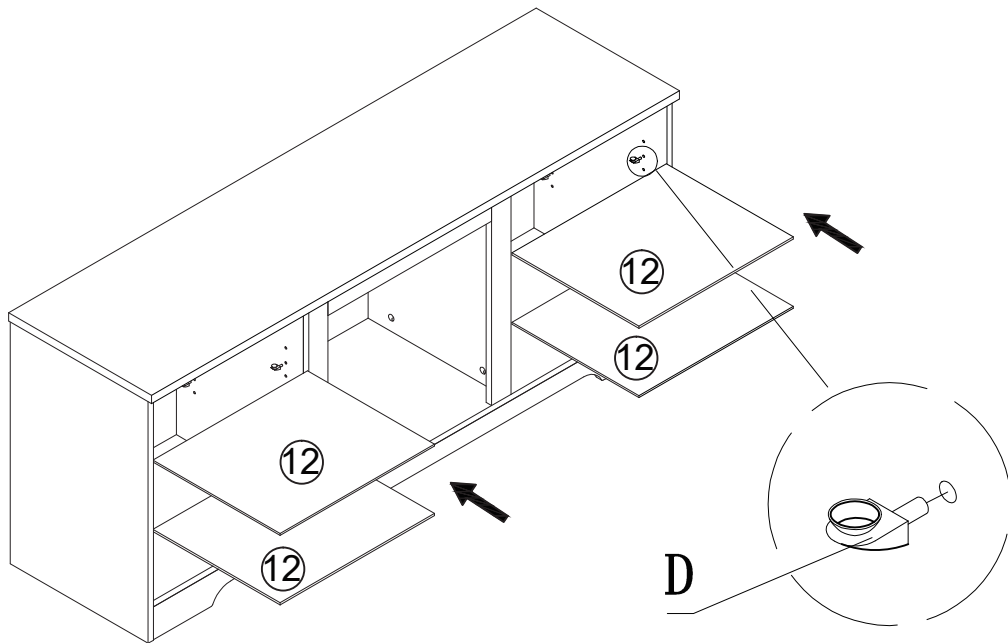
Note: ⑬ need to be stuck into the groove of ①



	A x 2PCS
	B x 10PCS

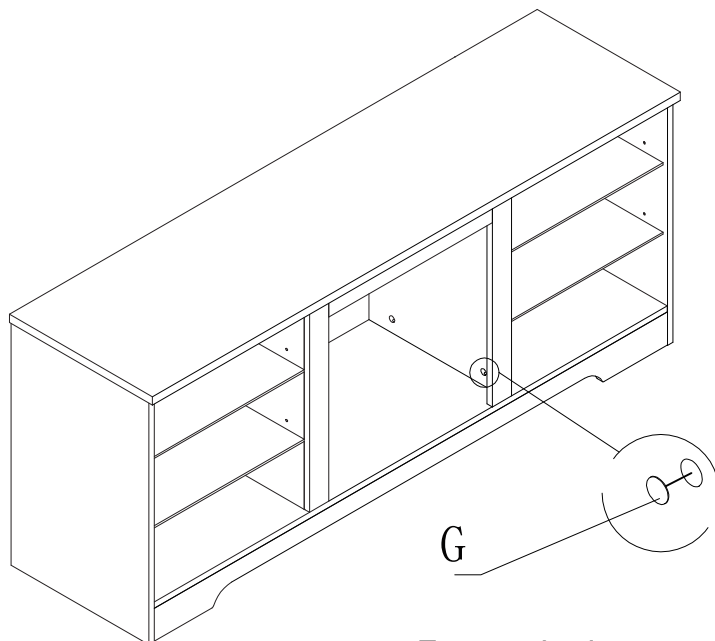
Installation steps

15.



D x 16PCS

16.



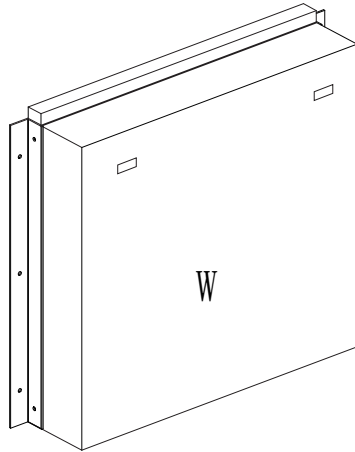
For aesthetic purposes, the exposed hardware can be covered with E



G x 16PCS

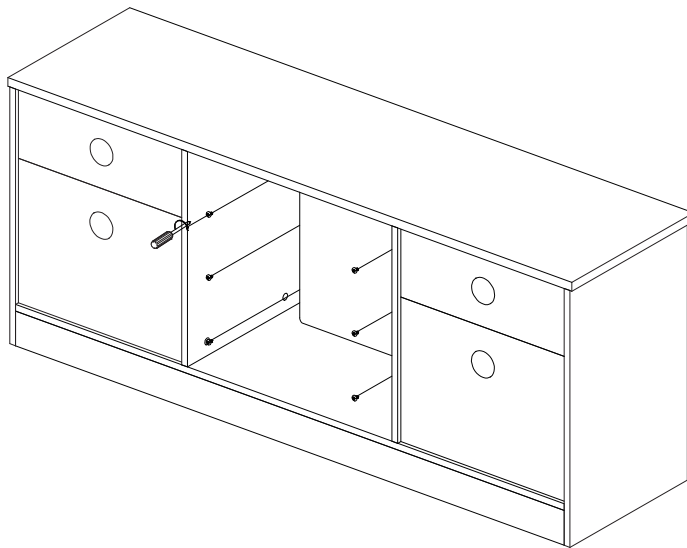
Installation steps

I



II

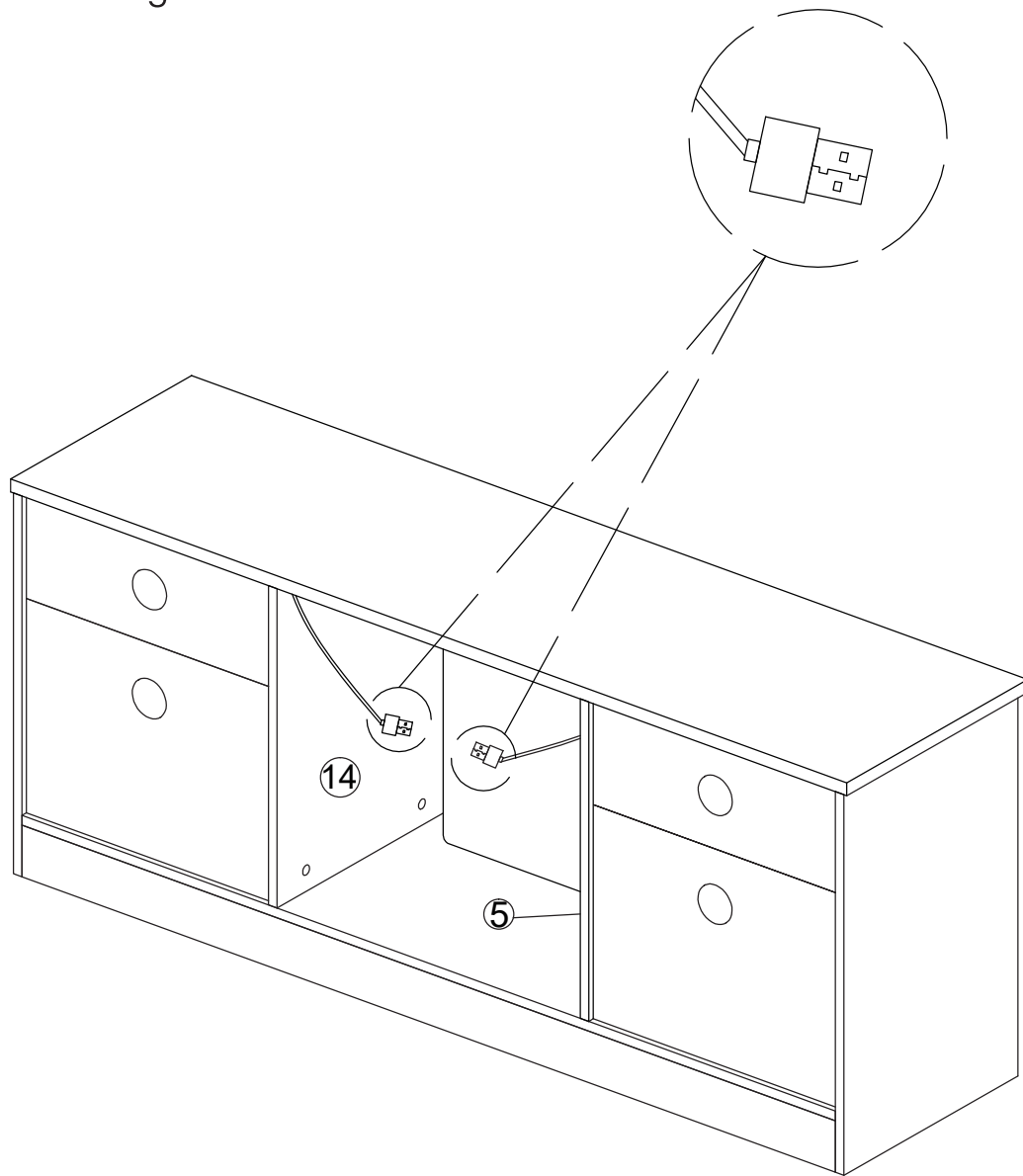
Push the fireplace from the back of the TV stand to the bottom, then fix the fireplace on the TV stand according to the hole position of the fireplace



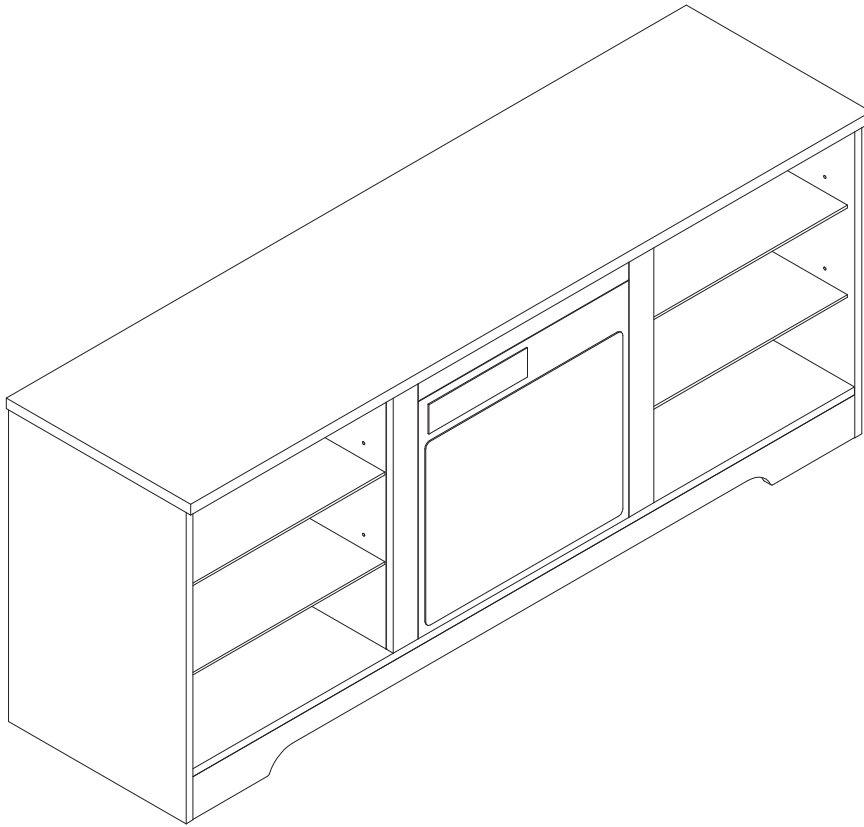
Installation steps

III.

Connect the lamp strip to the fireplace by threading it through holes 5 and 14.



Installation steps



Please feel free to **send us the text or email**. We will reply to you within 24 hours. Also please feel free to contact us if you have received the defective items.