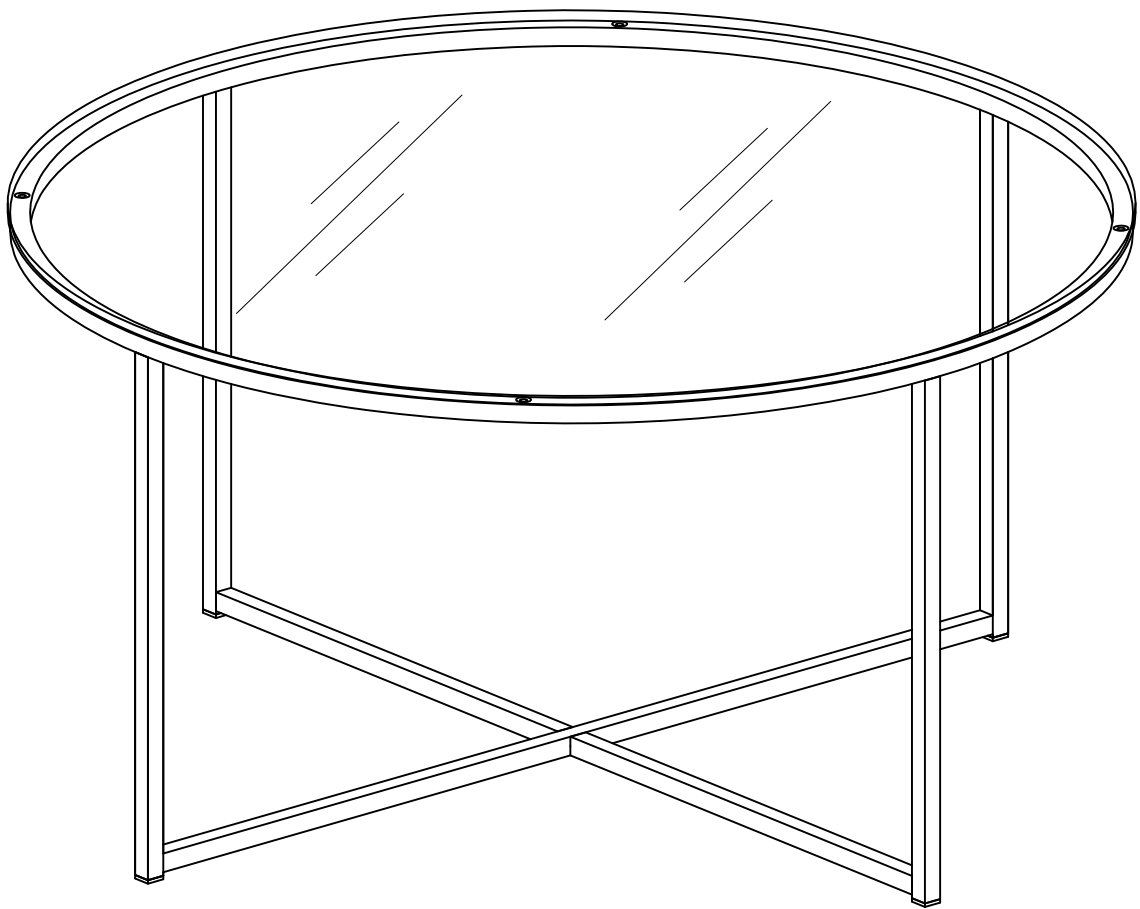
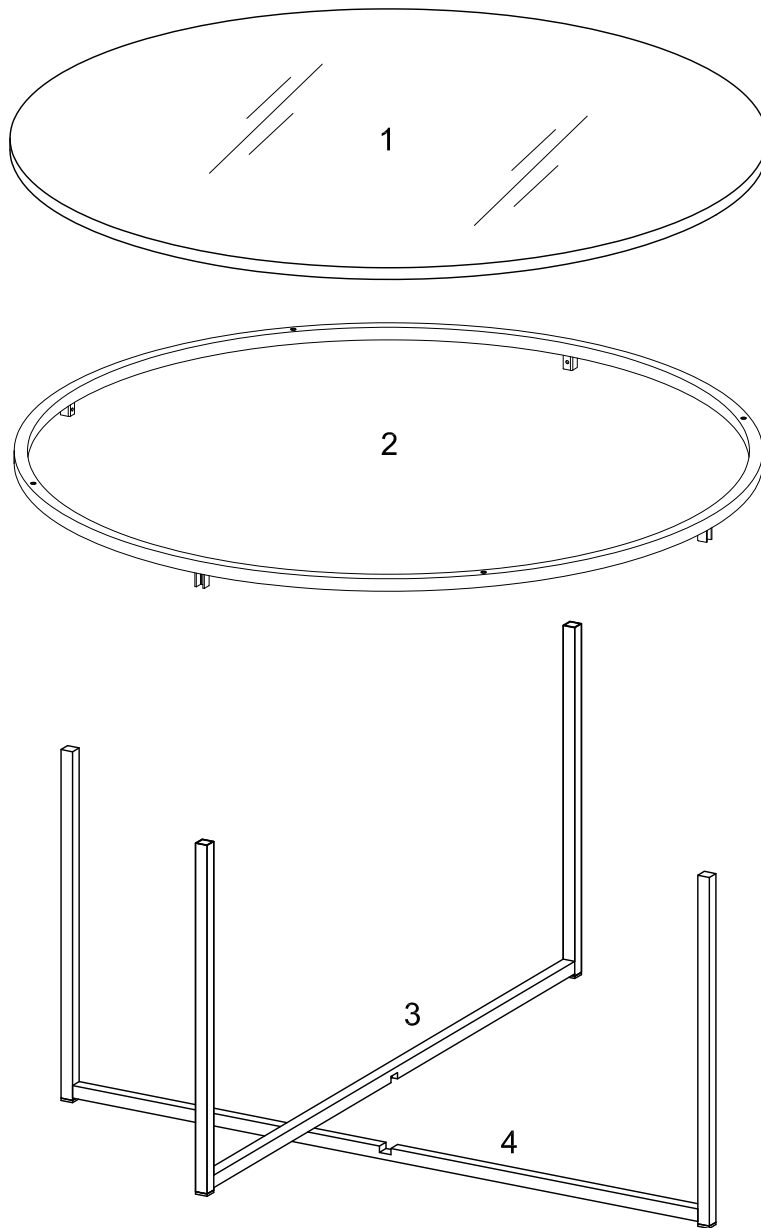


# Assembly Instructions



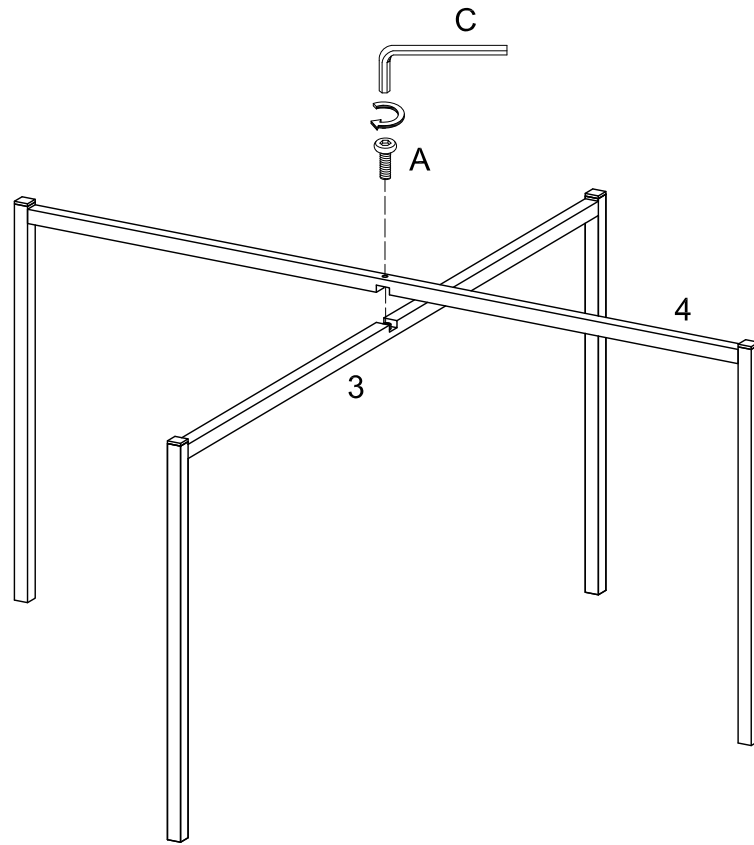
# Parts List



# Hardware List

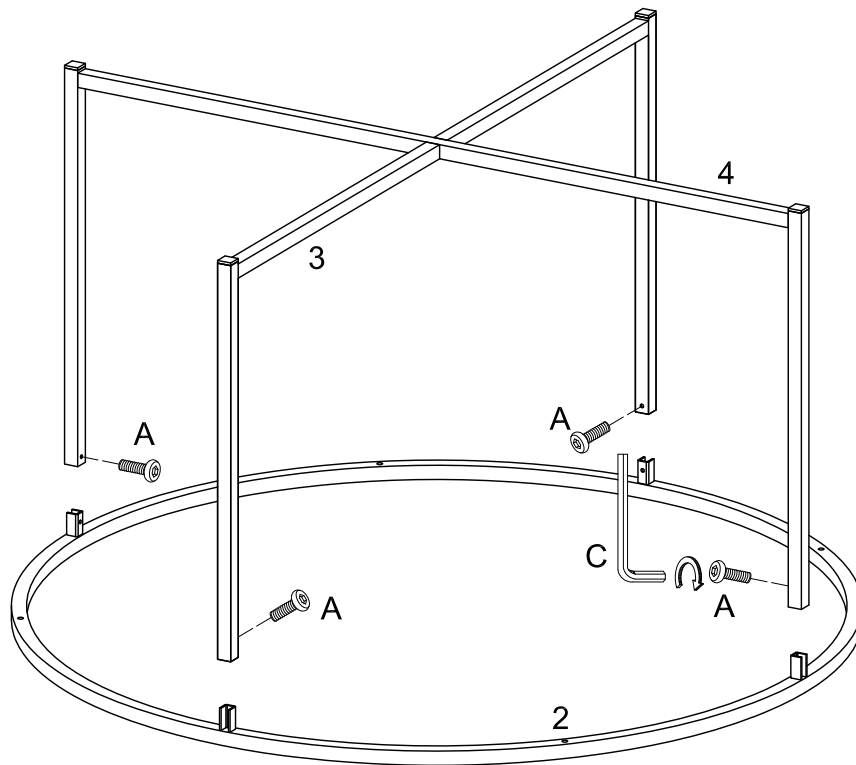
A		M6x10mm	Bolt	5 pcs
B			Rubber suction cups	4 pcs
C		M4mm	Wrench	1 pc

# Step 1



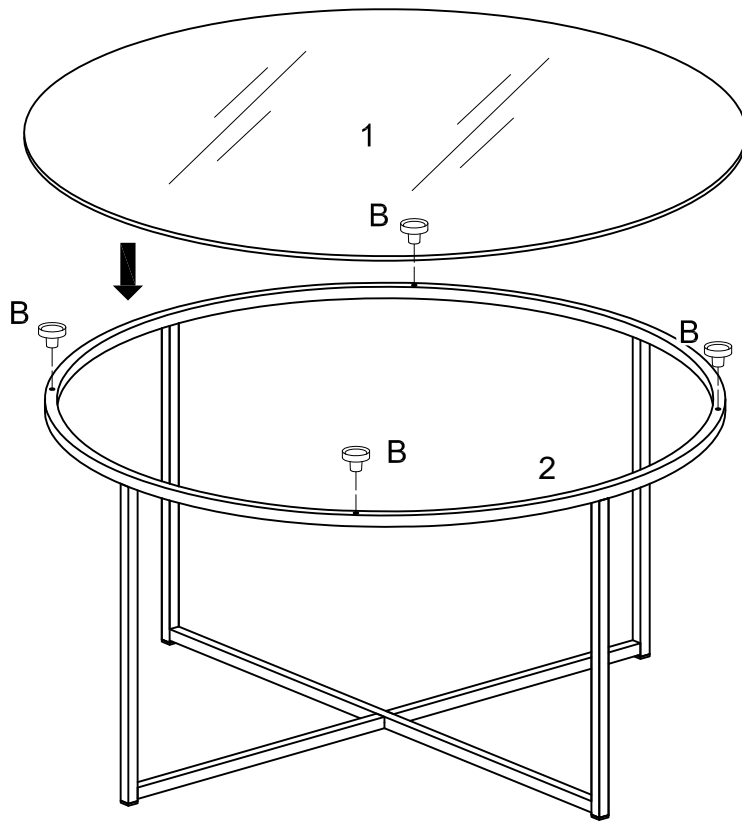
Use wrench (C), to secure legs (3,4) with bolt (A).

# Step 2



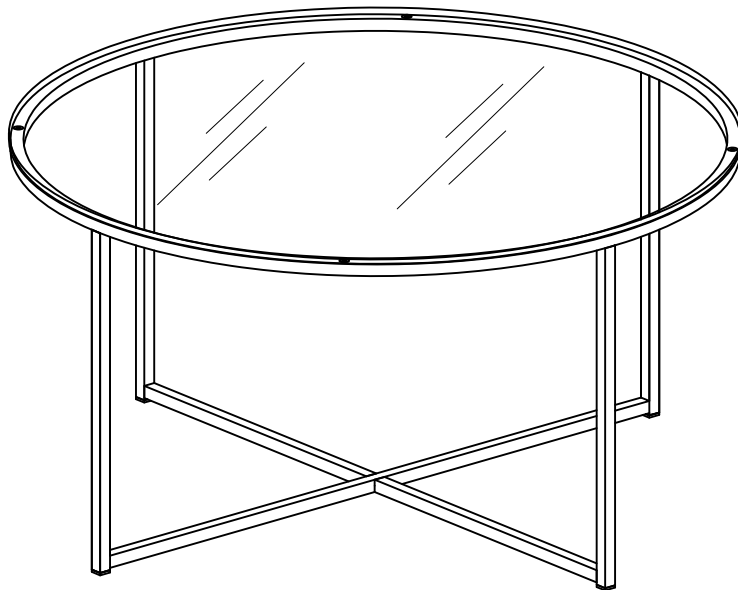
Use wrench (C), to secure legs (3,4) to table top frame (2) with bolts (A).

## Step 3



Insert rubber suction cups (B), then place the glass (1) carefully on top of table top frame (2).

## Step 4



Final Assembly