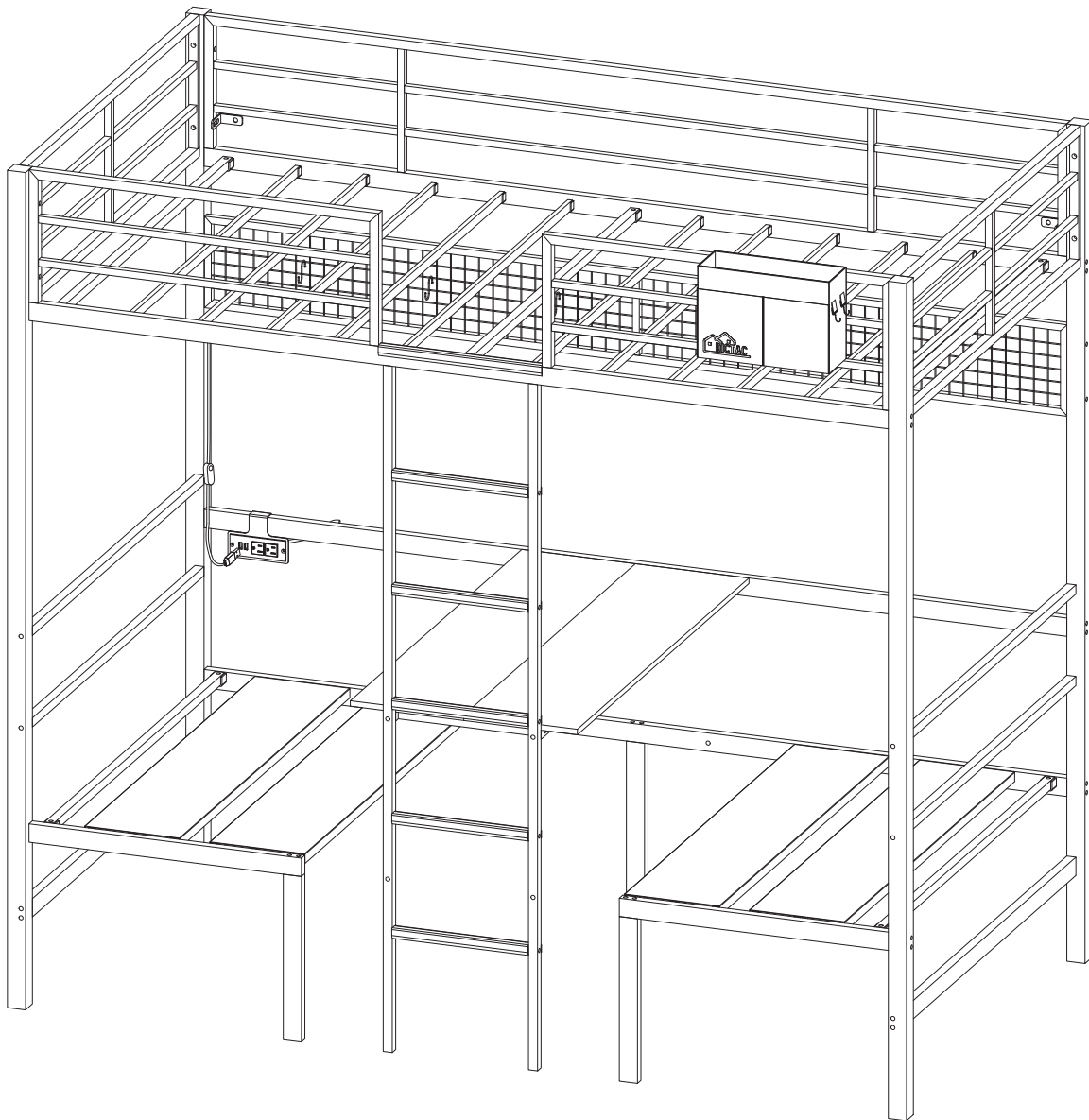
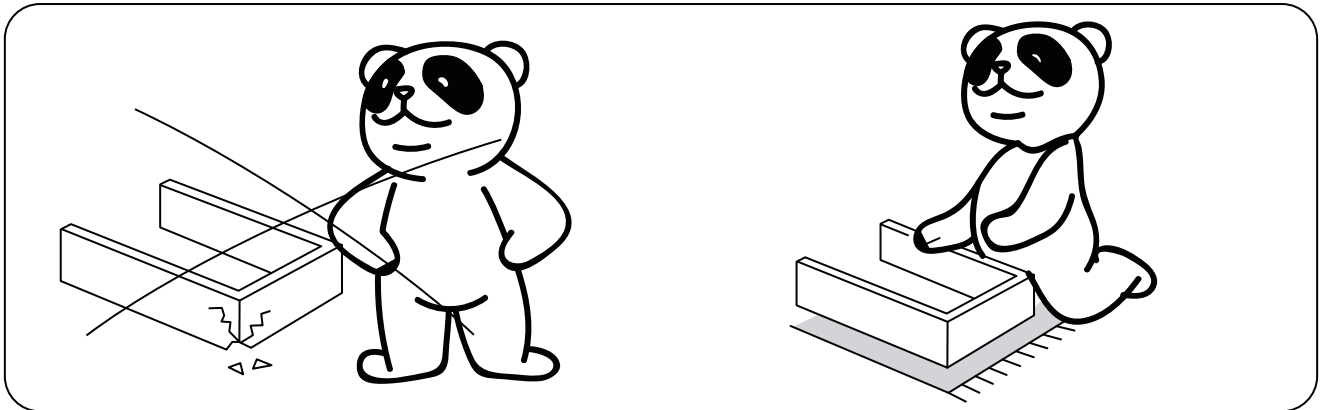
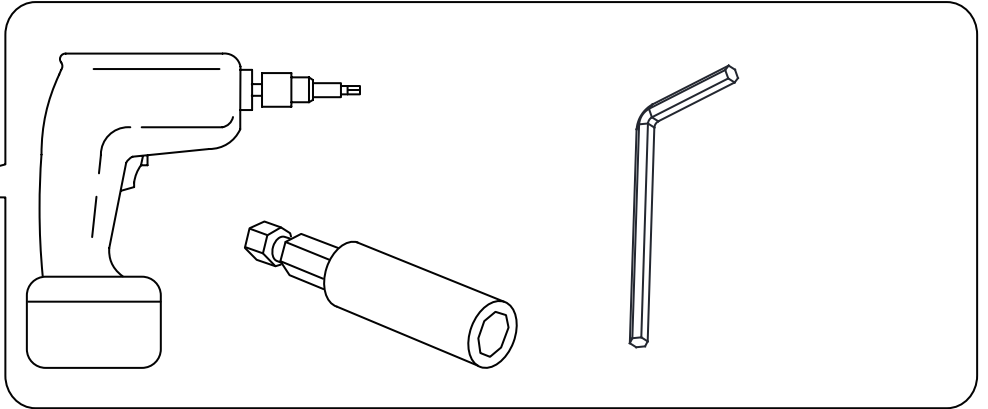
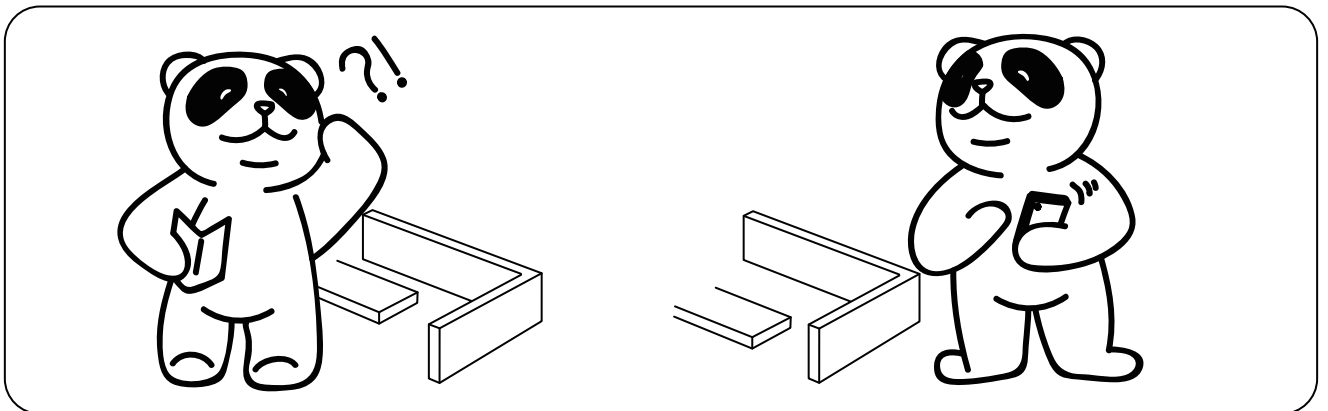


Loft Bed

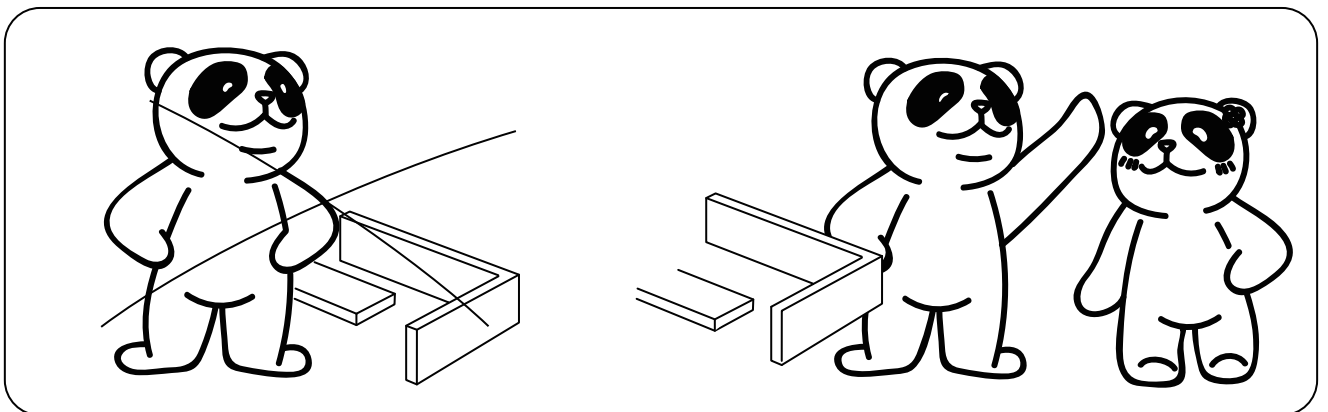




Violent installation is prohibited



Please call if you need help



Multi-person cooperation is recommended

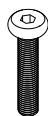
HARDWARE LIST



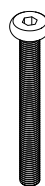
A
M6*25mm
x22+2



B
M6*28mm
x14+1



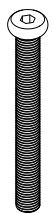
C
M6*35mm
x30+3



D
M6*55mm
x4



E
M6*60mm
x10+1



F
M8*60mm
x30+3



G
M8*55mm
x2



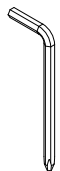
H
Ø18*9mm
x46+4



I
M4*7mm
x2



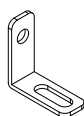
J
M5
x1



K
M4
x1



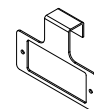
L
x1



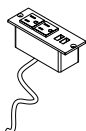
M
x2



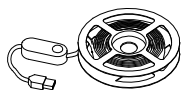
N
x6



O
x1



P
x1



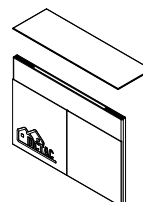
Q
x1



R
x1



S
x3



T
x1



U
x1

PARTS LIST



1
x1



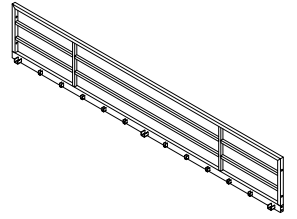
2
x1



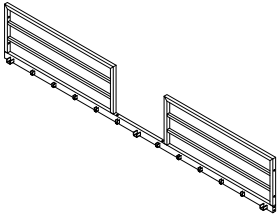
3
x1



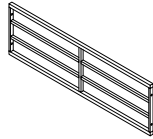
4
x1



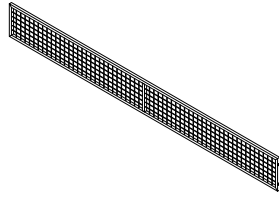
5
x1



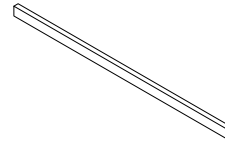
6
x1



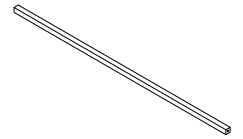
7
x2



8
x1



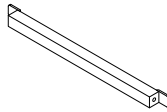
9
x2



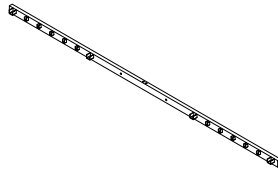
10
x4



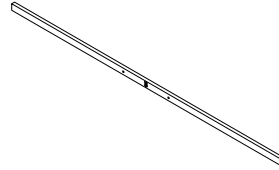
11
x2



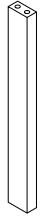
12
x5



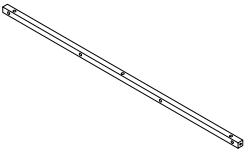
13
x1



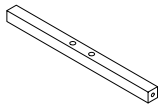
14
x1



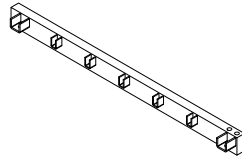
15
x3



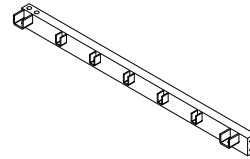
16
x2



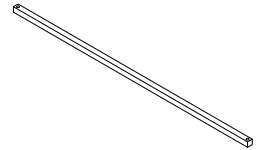
17
x4



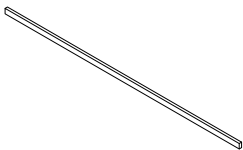
18
x1



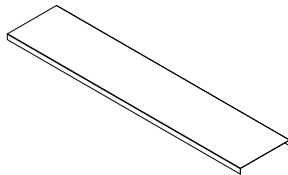
19
x1



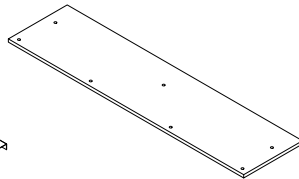
20
x7



21
x20



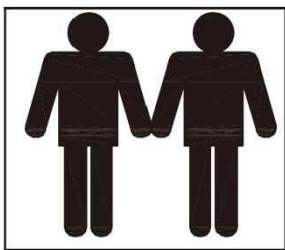
22
x4



23
x2

Note:

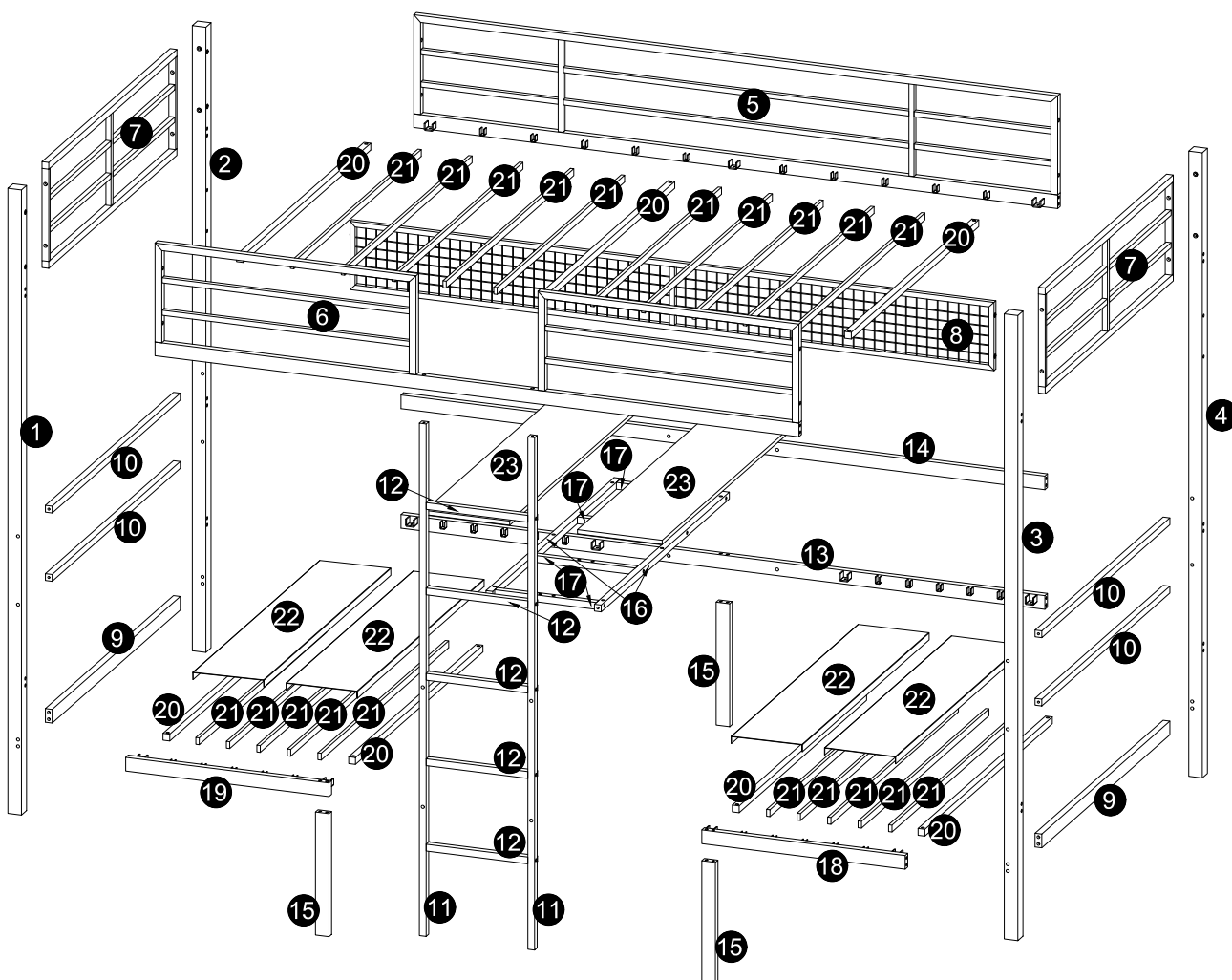
- 1. Should be assembled on flat ground to keep balance.
- 2. Before completing the installation, do not tighten the screws.



It needs at least two people to install.

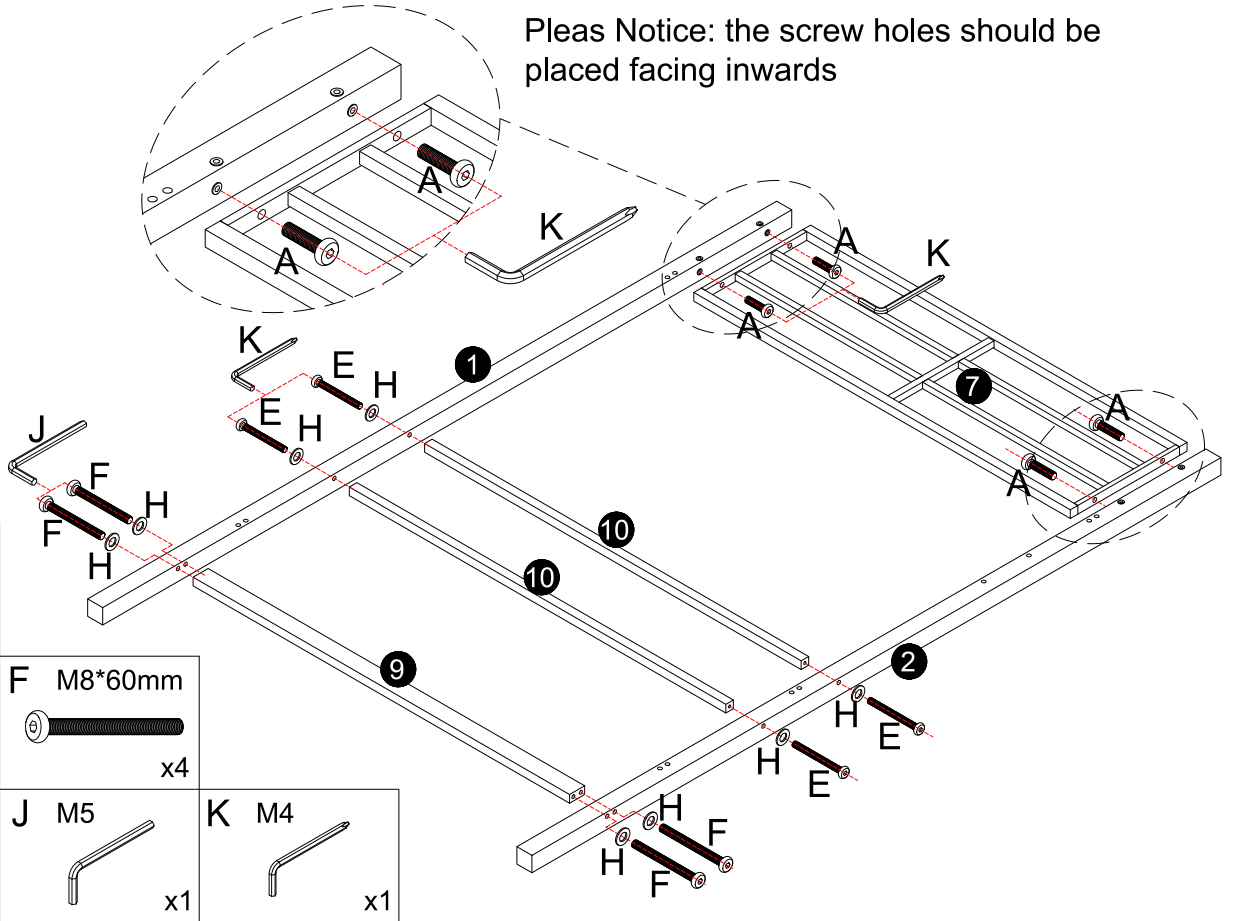



Before starting the assembly, you must read the whole manual and follow the instructions






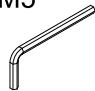

1

Please Notice: the screw holes should be placed facing inwards



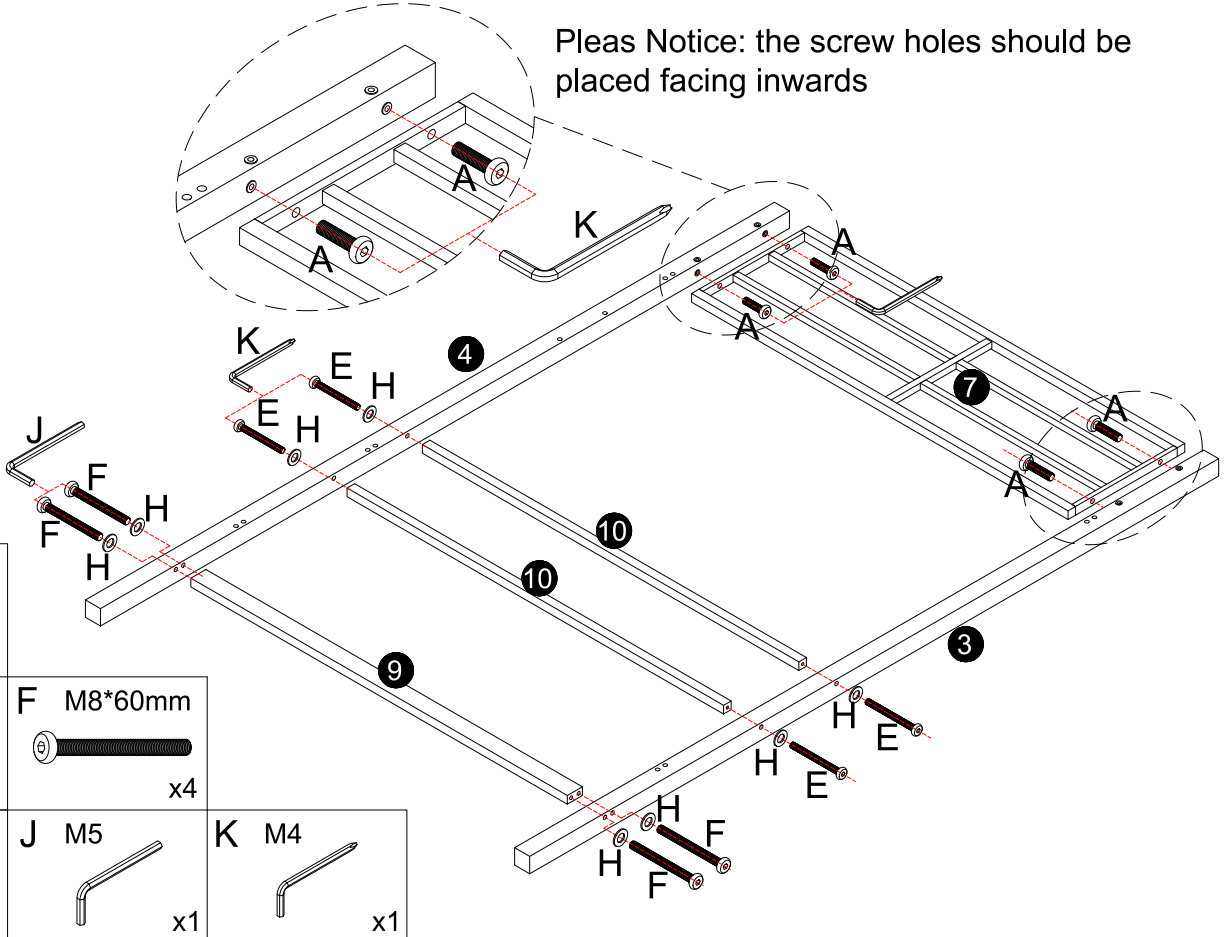
A	M6*25mm
	x4


E	M6*60mm	F	M8*60mm
	x4		x4



H	Ø18*9mm	J	M5	K	M4
	x8		x1		x1


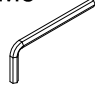
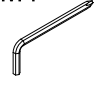
2

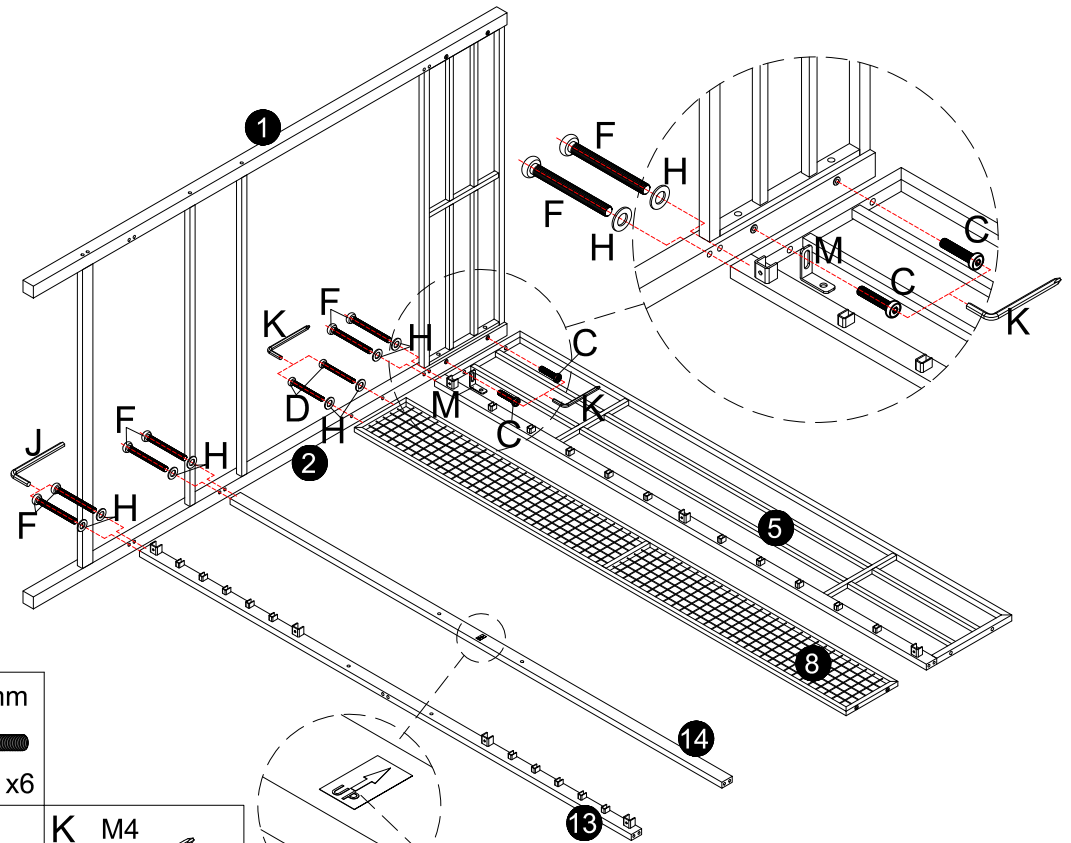
Please Notice: the screw holes should be placed facing inwards



A	M6*25mm
	x4

E	M6*60mm	F	M8*60mm
	x4		x4

H	Ø18*9mm	J	M5	K	M4
	x8		x1		x1

3**C** M6*35mm

x2

D M6*55mm

x2

F M8*60mm

x6

H Ø18*9mm

x8

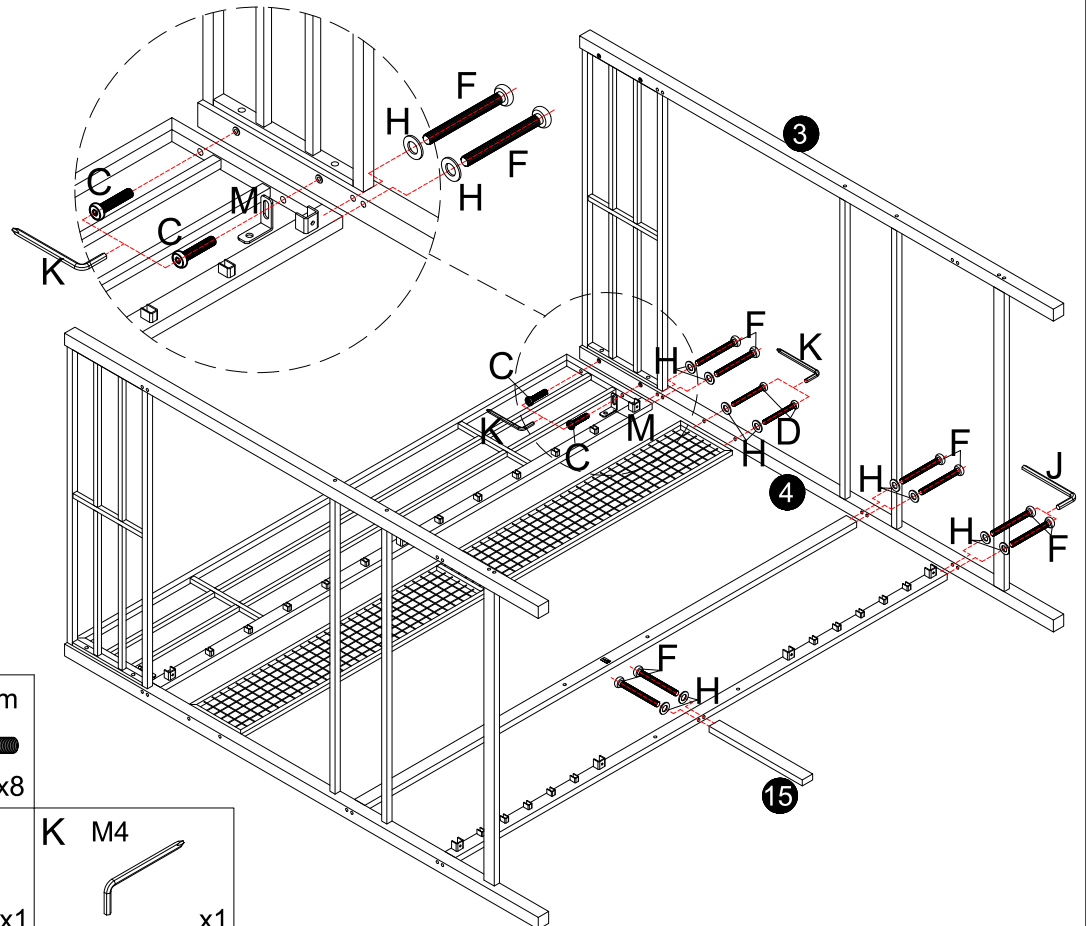
J M5

x1

K M4

x1

Please pay attention
to the direction of the arrows.

4**C** M6*35mm

x2

D M6*55mm

x2

F M8*60mm

x8

H Ø18*9mm

x10

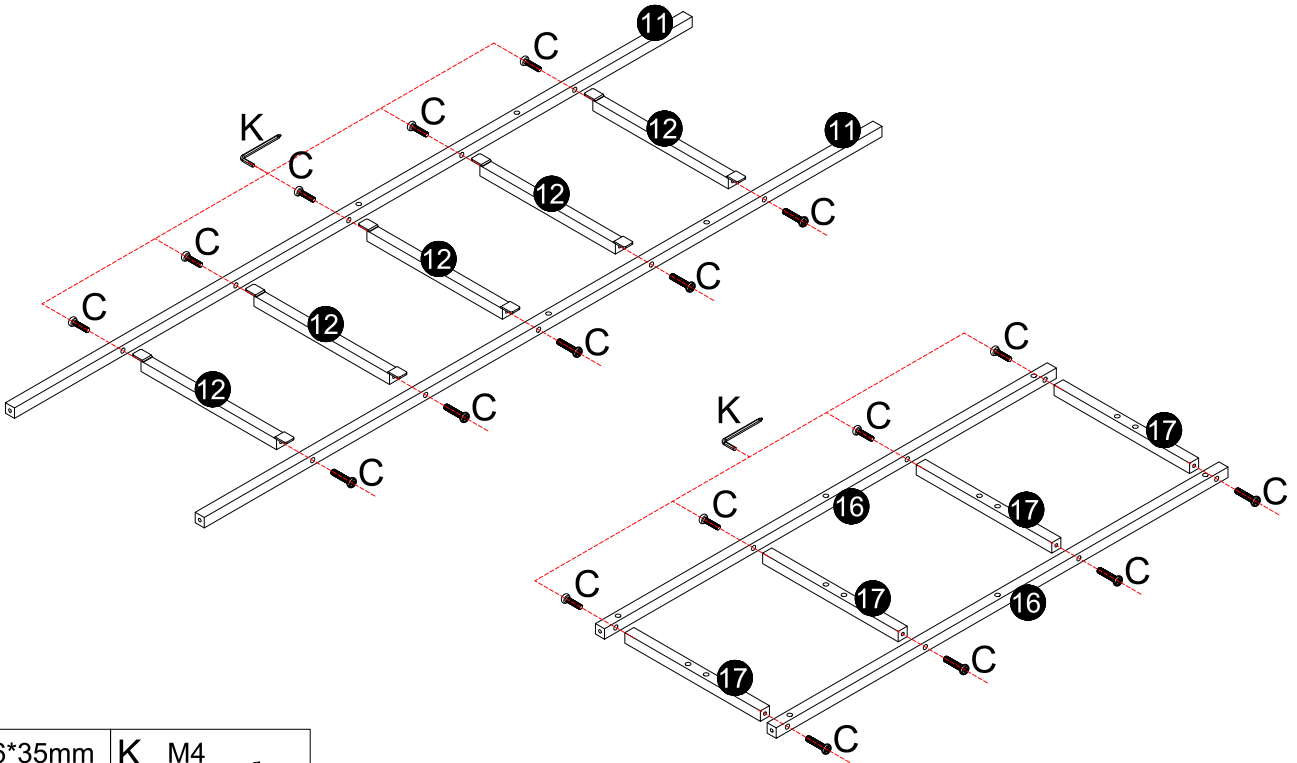
J M5



x1

K M4

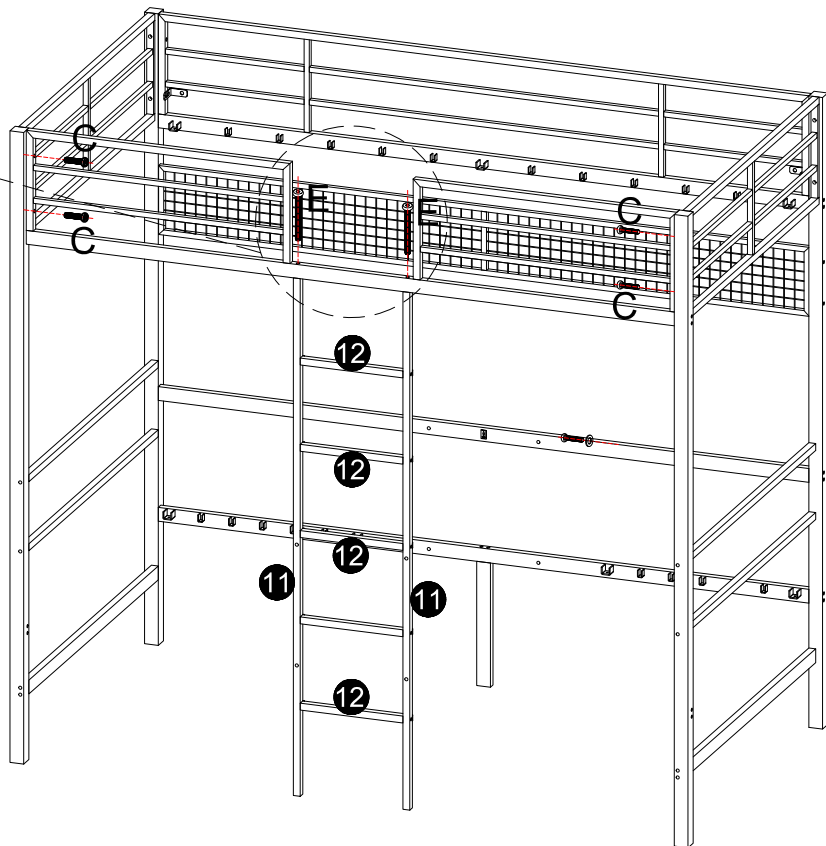
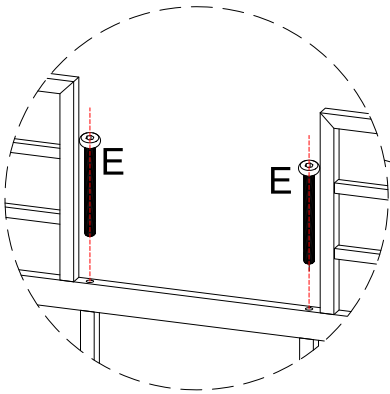
x1




5



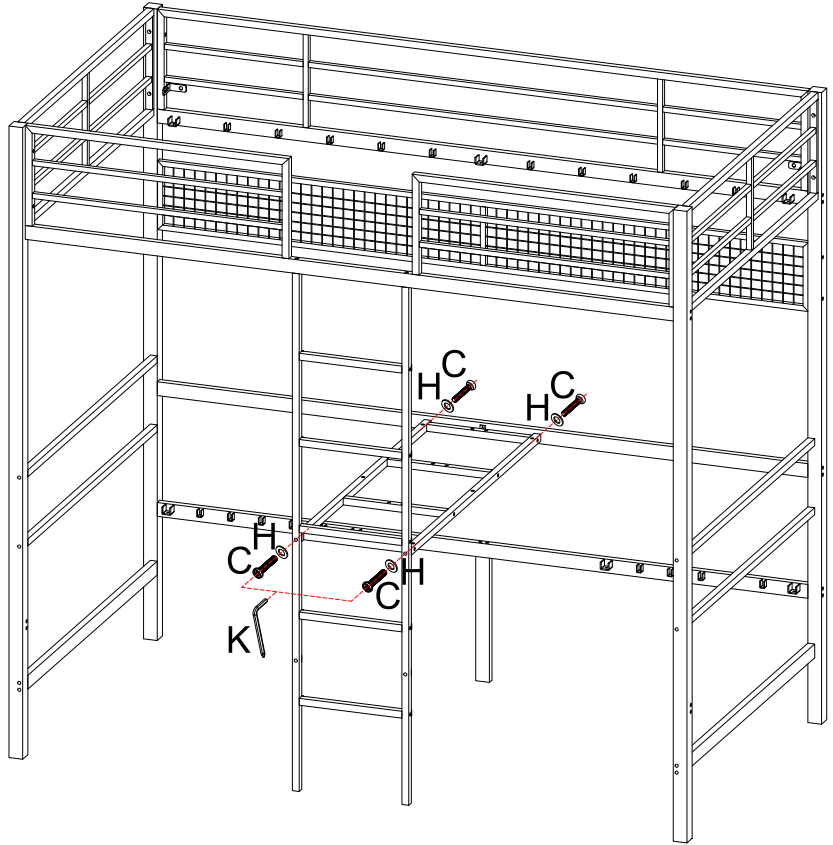
C M6*35mm	K M4
	
x18	x1

6



C M6*35mm

x4
E M6*60mm

x2
K M4

x1

7



C M6*35mm



x4

H Ø18*9mm



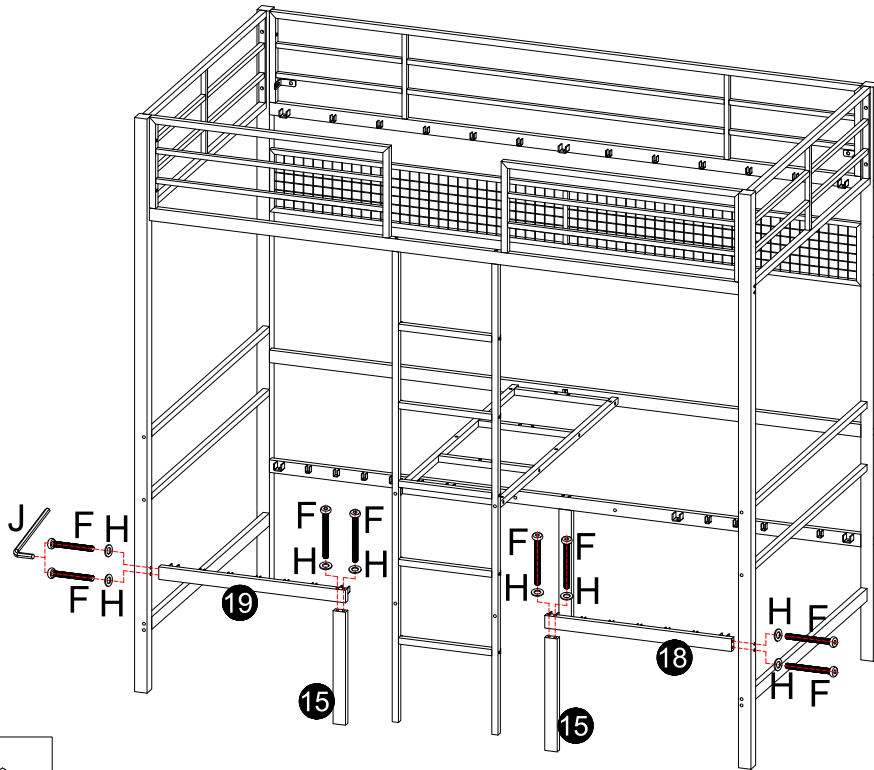
x4

K M4



x1

8



F M8*60mm



x8

H Ø18*9mm



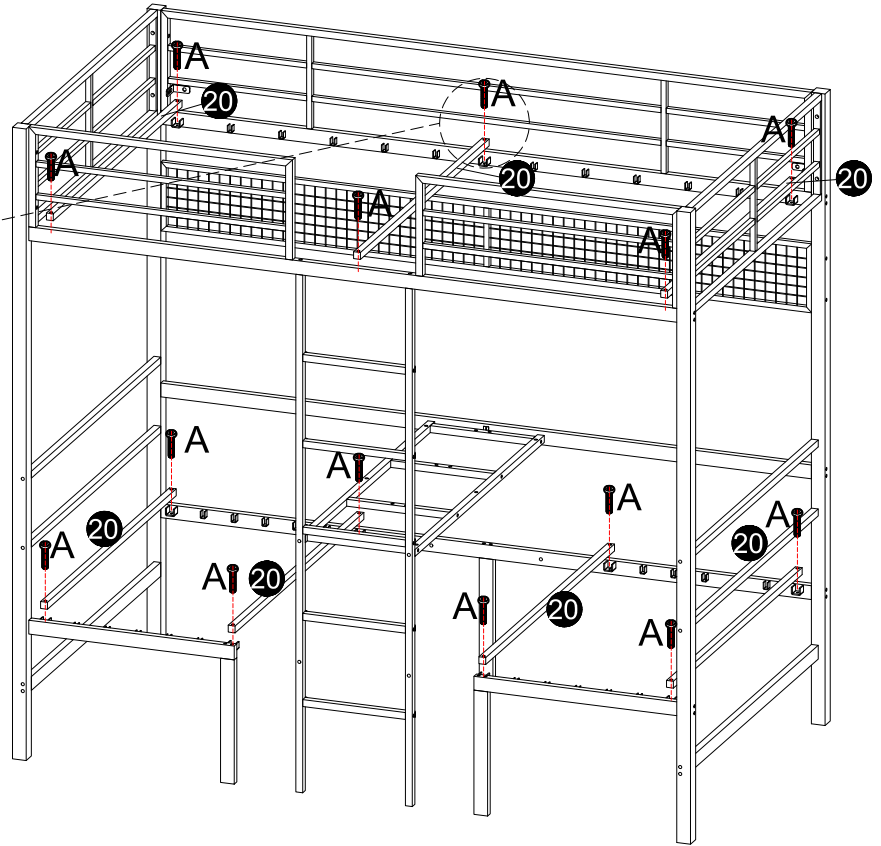
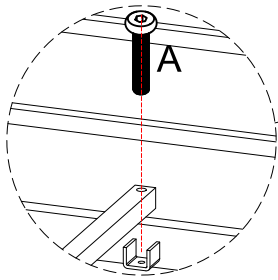
x8

J M5



x1

9



A M6*25mm



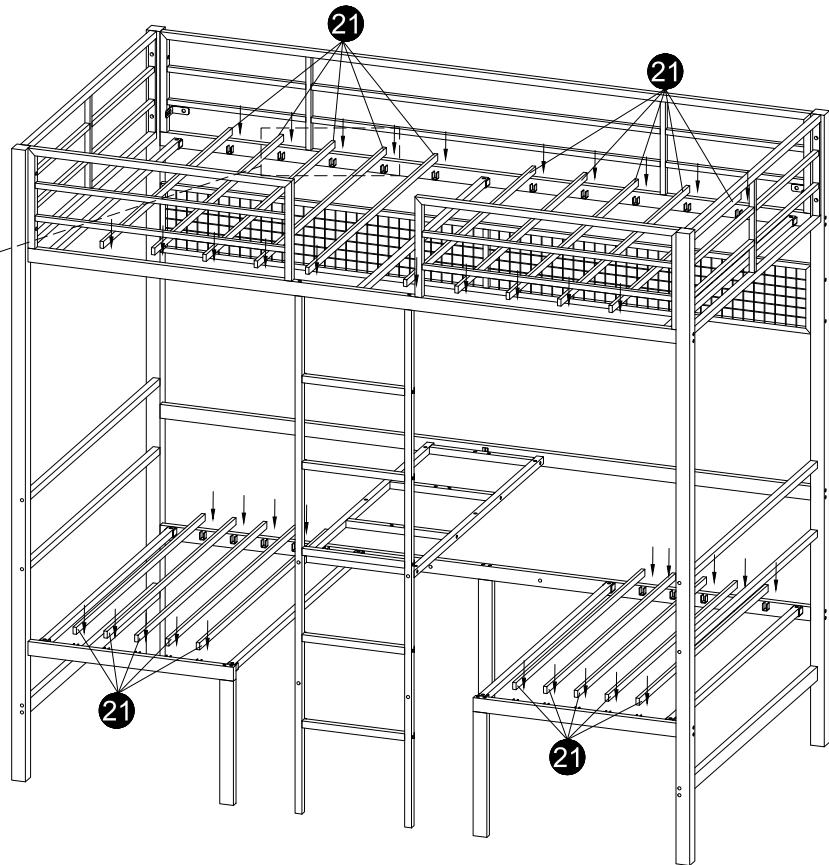
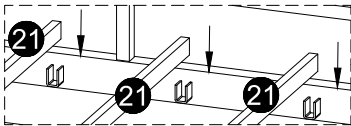
x14

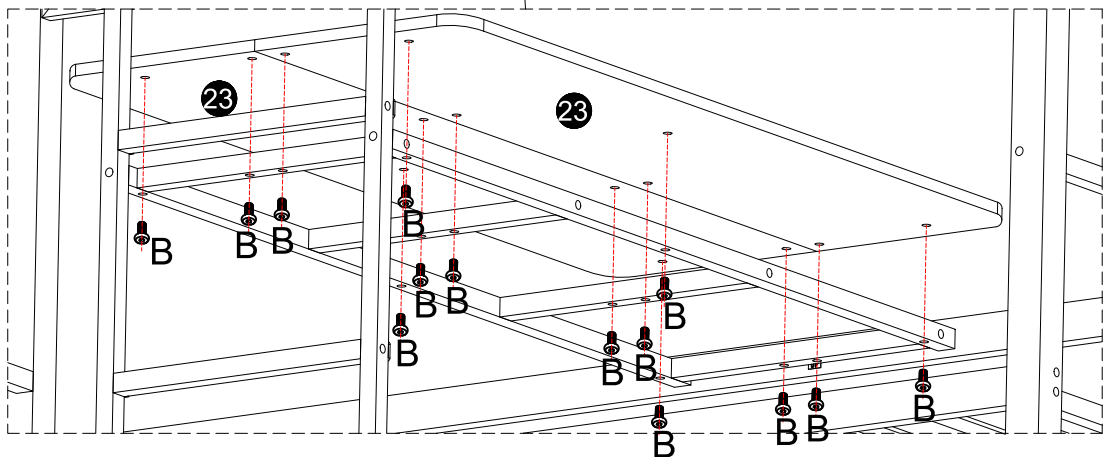
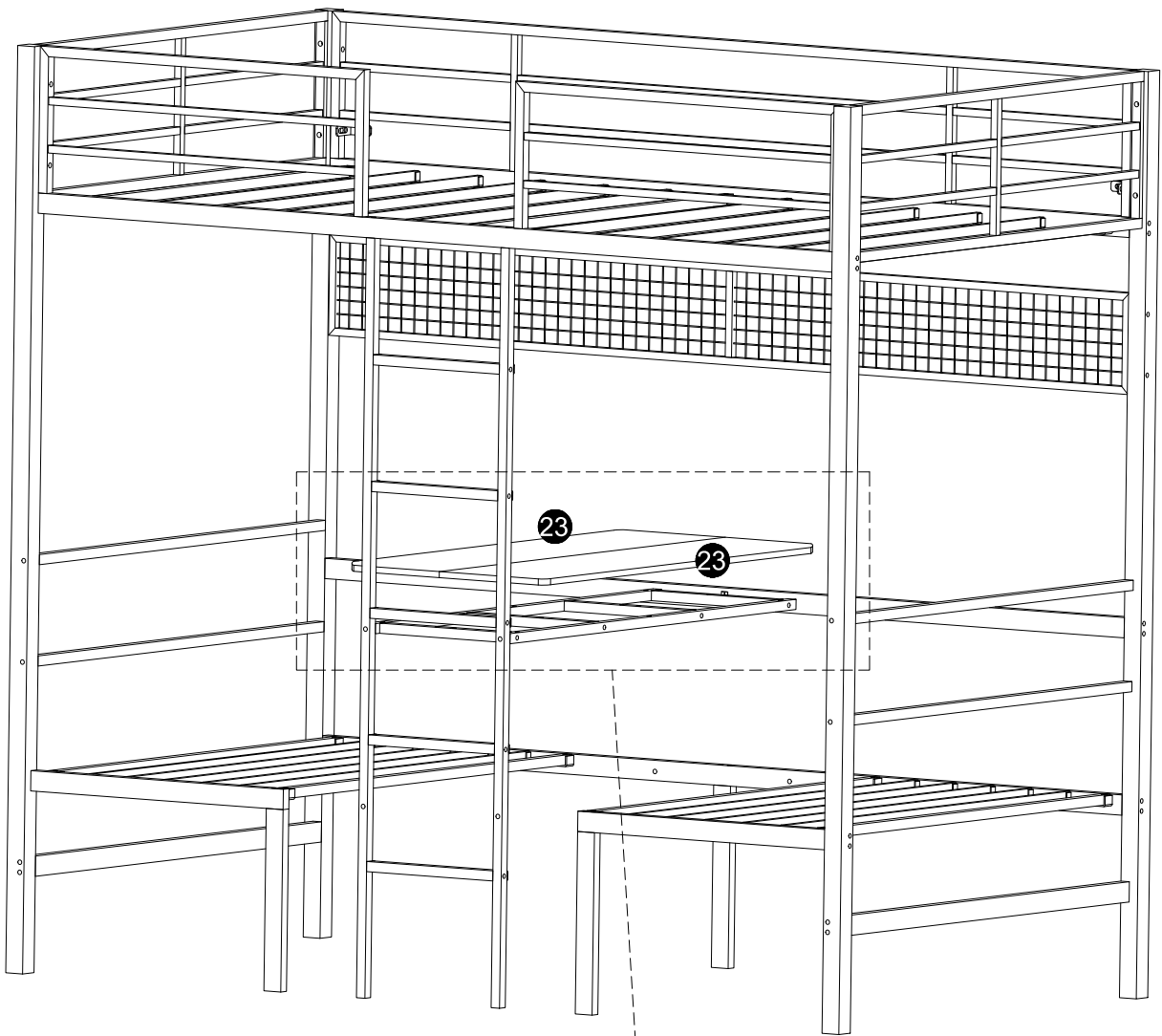
K M4





x1

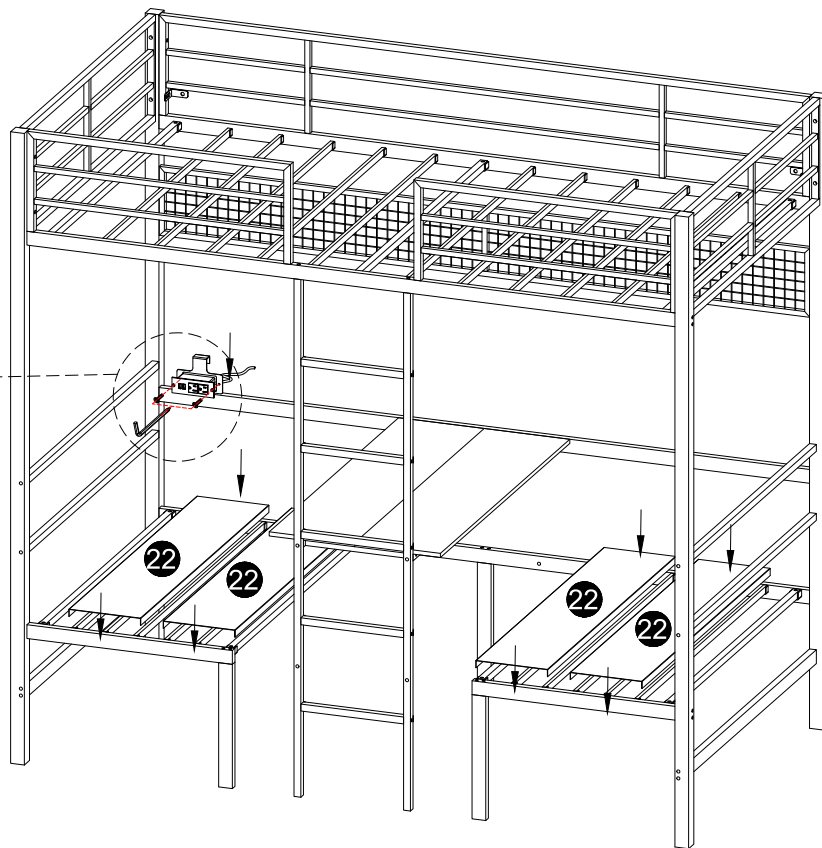
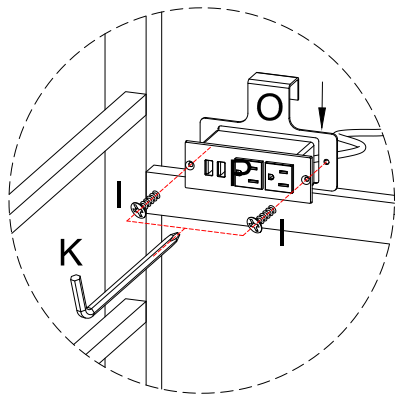
10







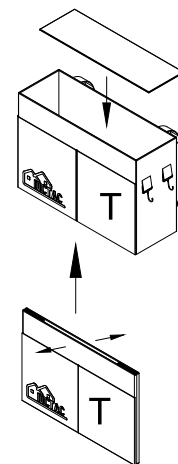
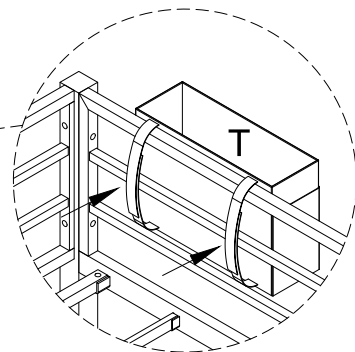
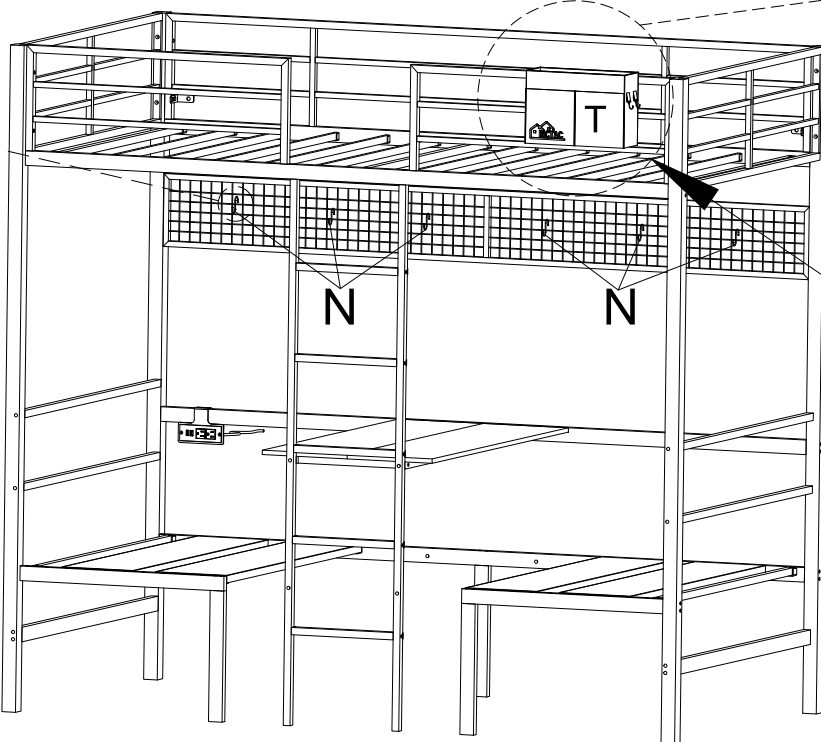
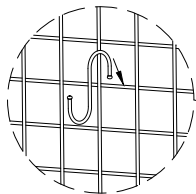
- B** M6*28mm

x14
- K** M4

x1



12



- I M4*7mm
 x2
- K M4
 x1

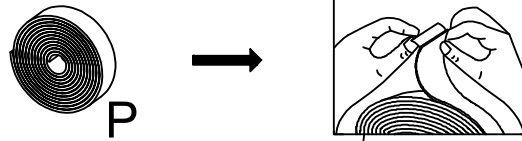
13



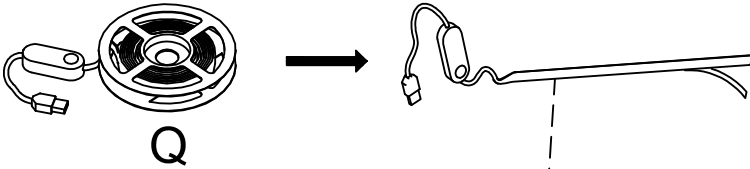
- N
 x6
- T
 x1

14

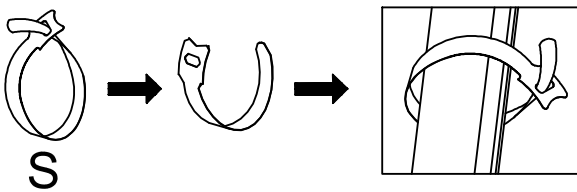
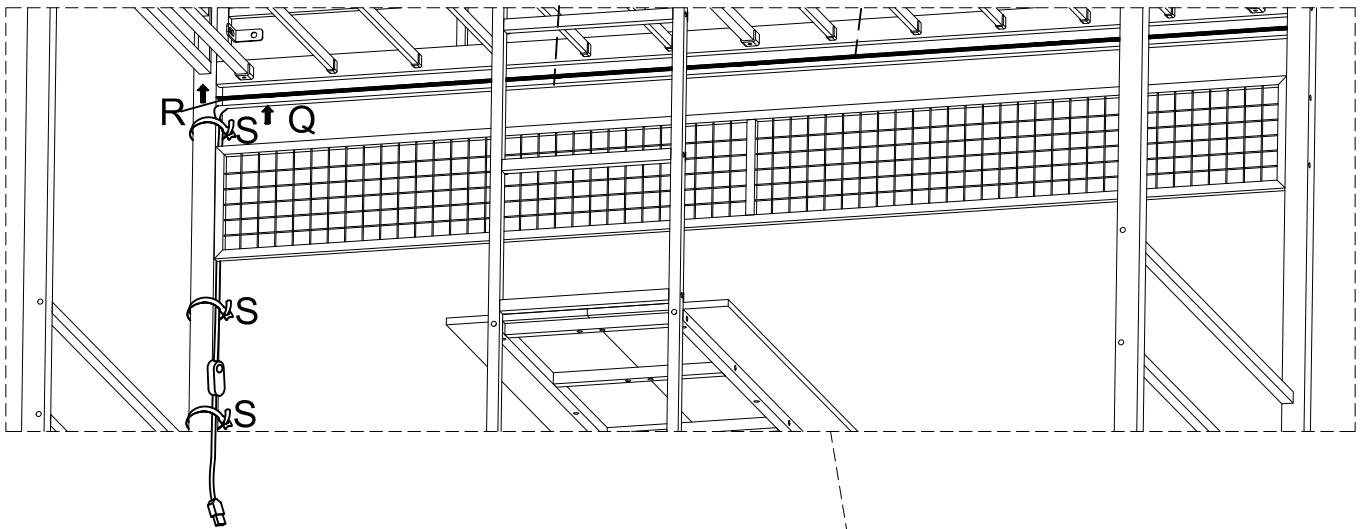
1: Please remove the adhesive tape numbered P first, and then stick it to the bottom of the bed side.
As shown in the figure



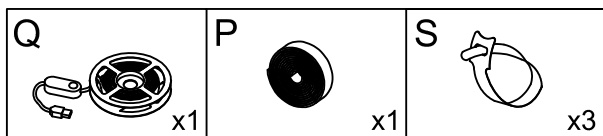
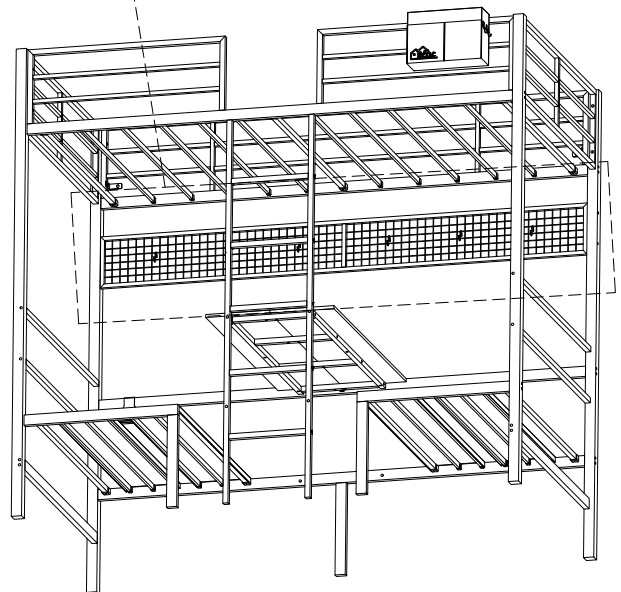
2: Unfold the light belt



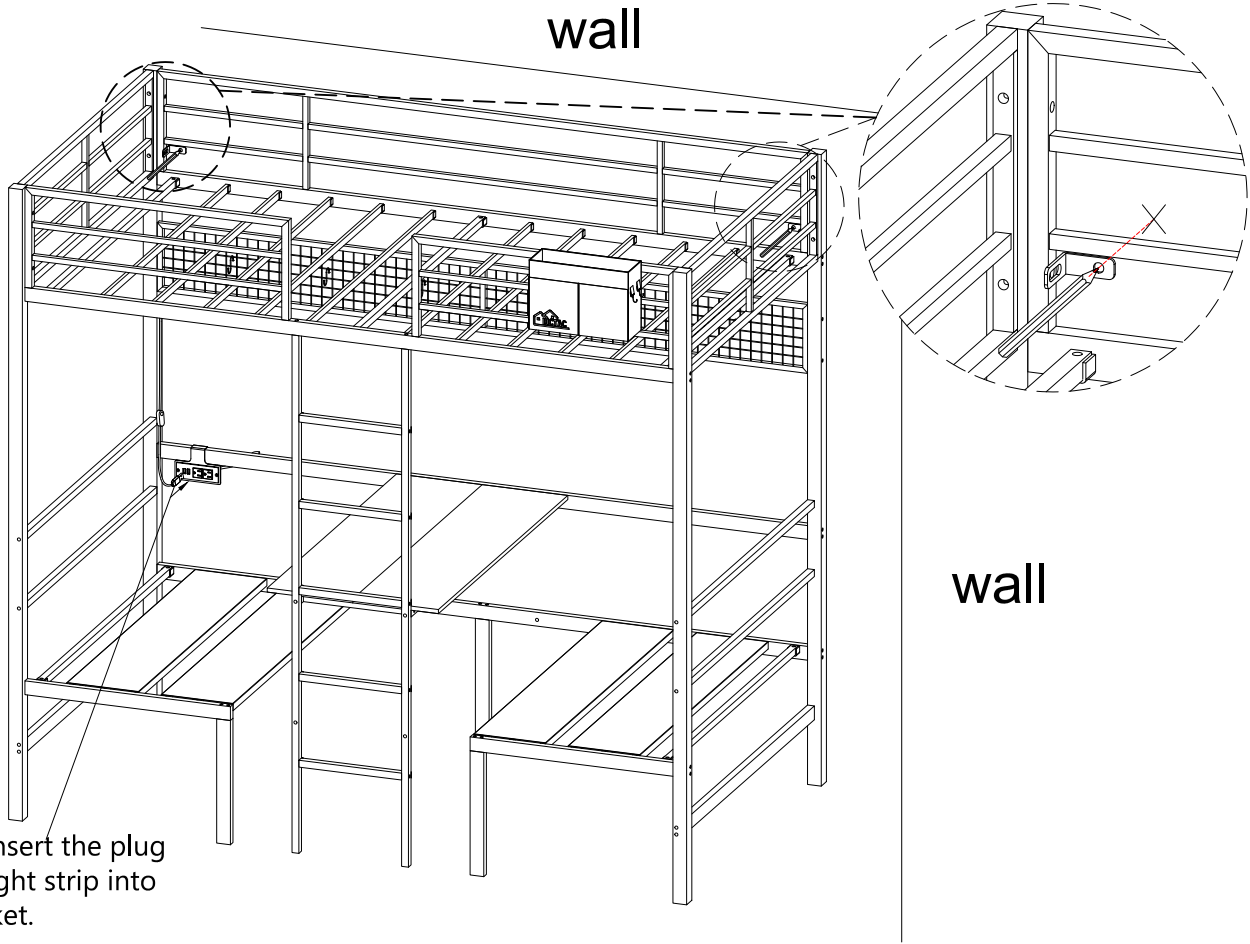
tear off the end of the tape and stick it to the bottom of the bed side tube.



Please loosen the tie and tie it onto the iron pipe. As shown in the figure.

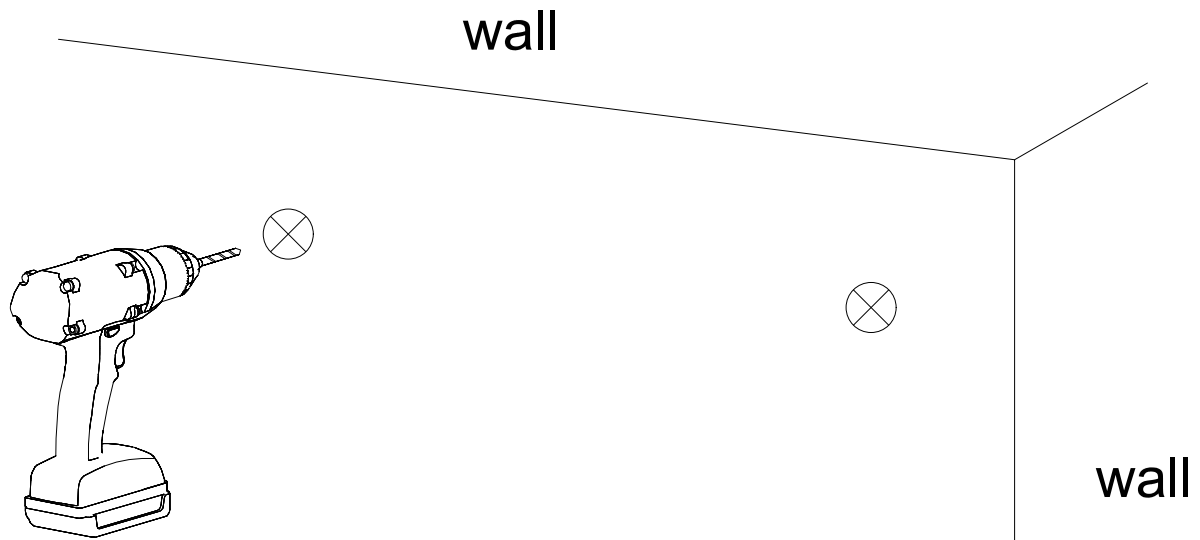


15



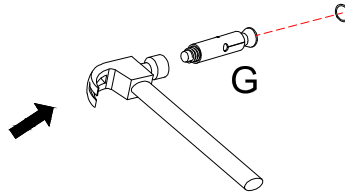
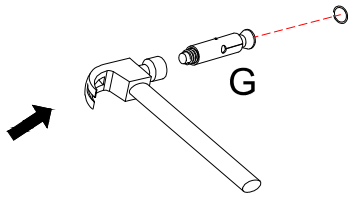
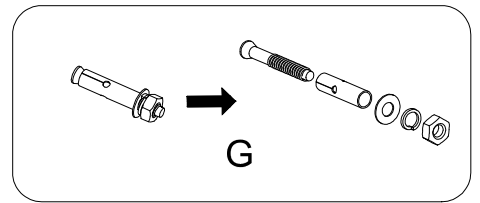
Please insert the plug of the light strip into the socket.

16



17

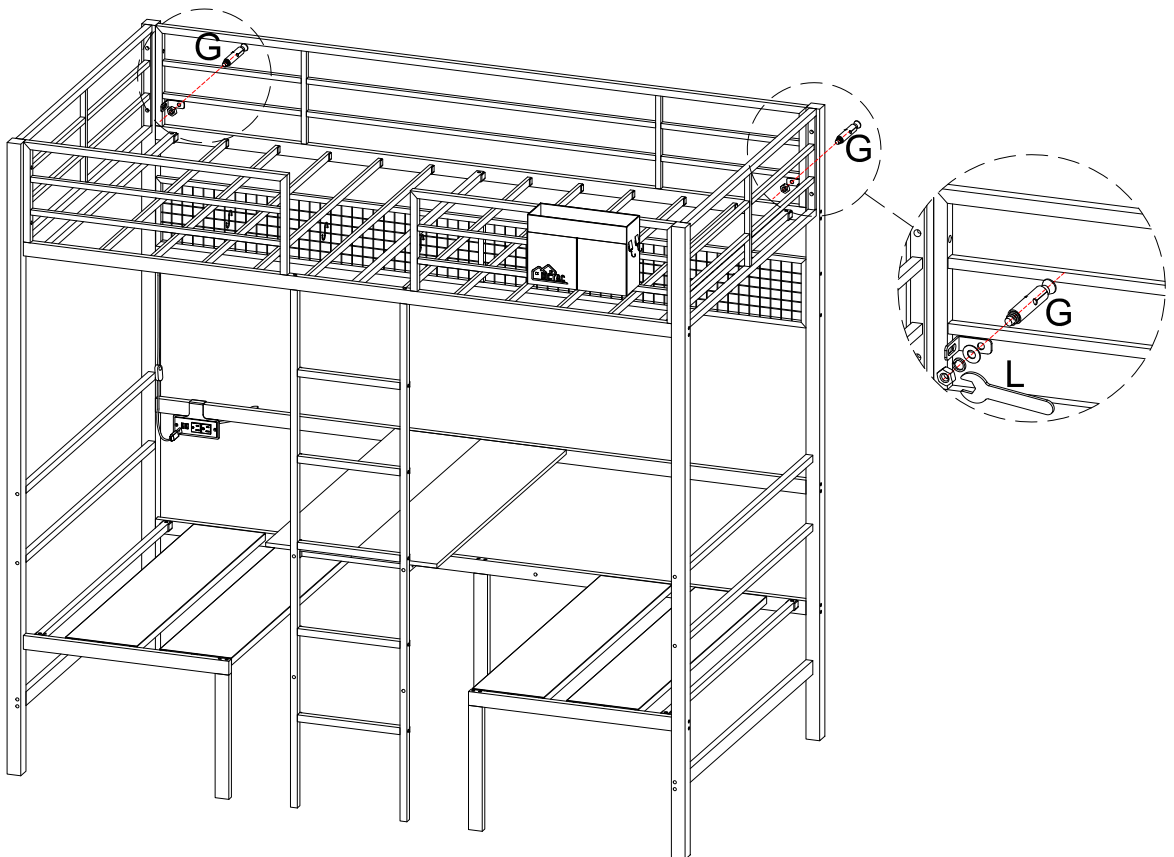
wall

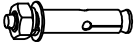
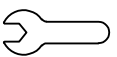


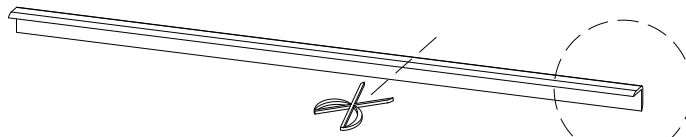
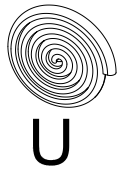
wall

Please lock the expansion screw onto the wall.

18

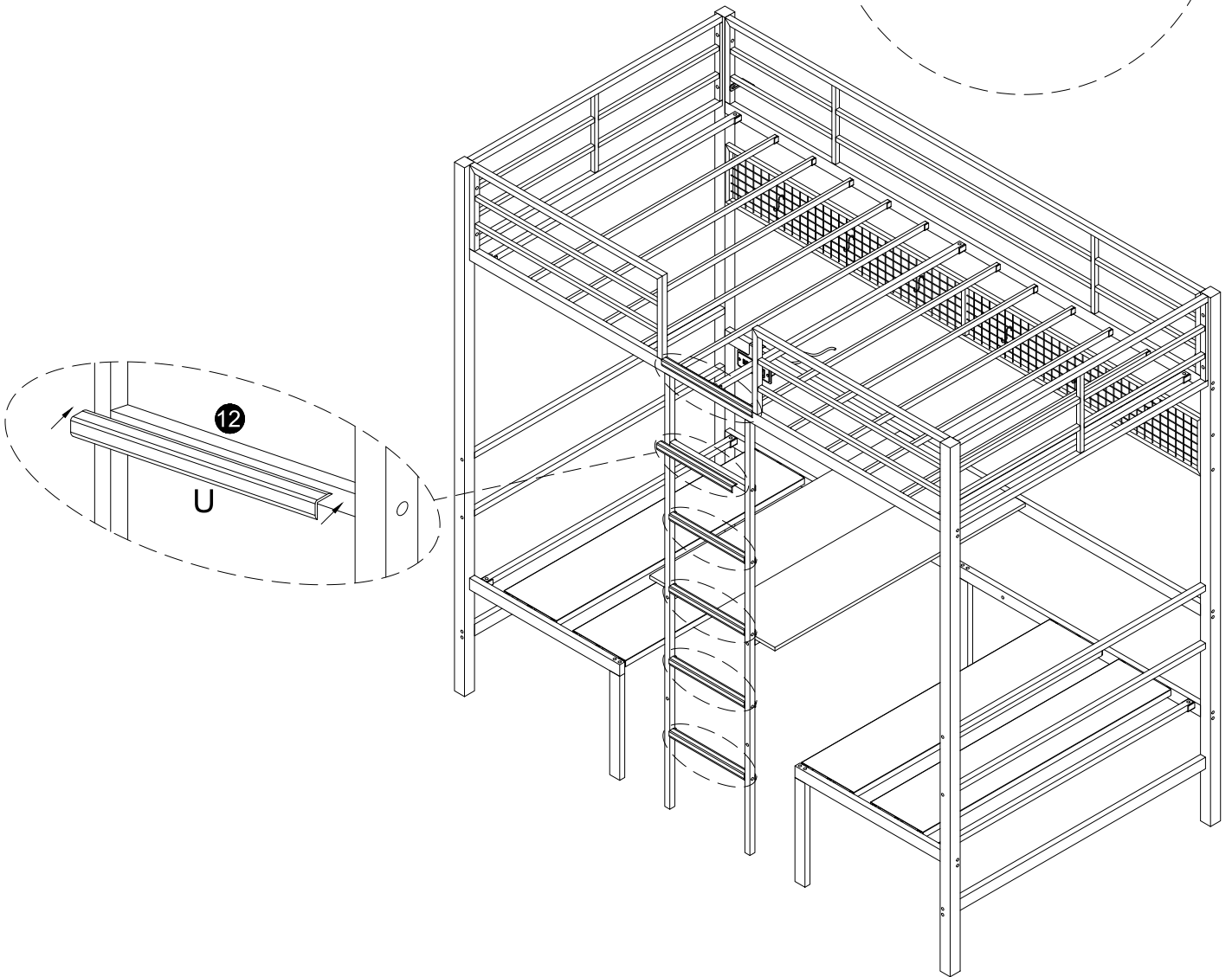
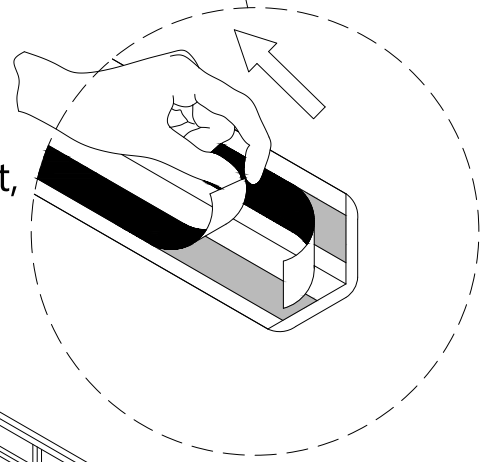


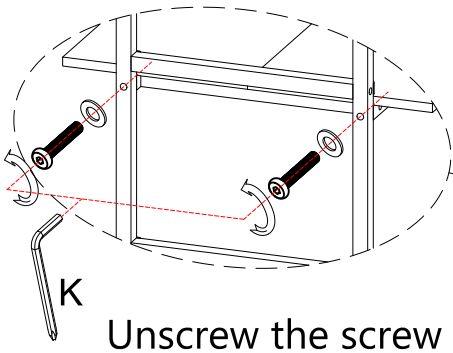
- G M8*55mm

x2
- L

x1



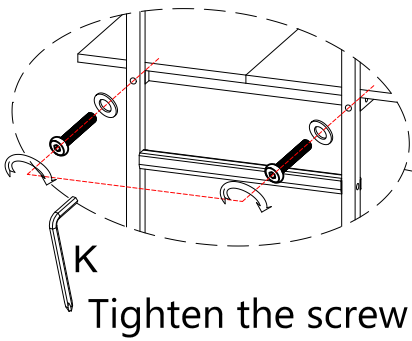
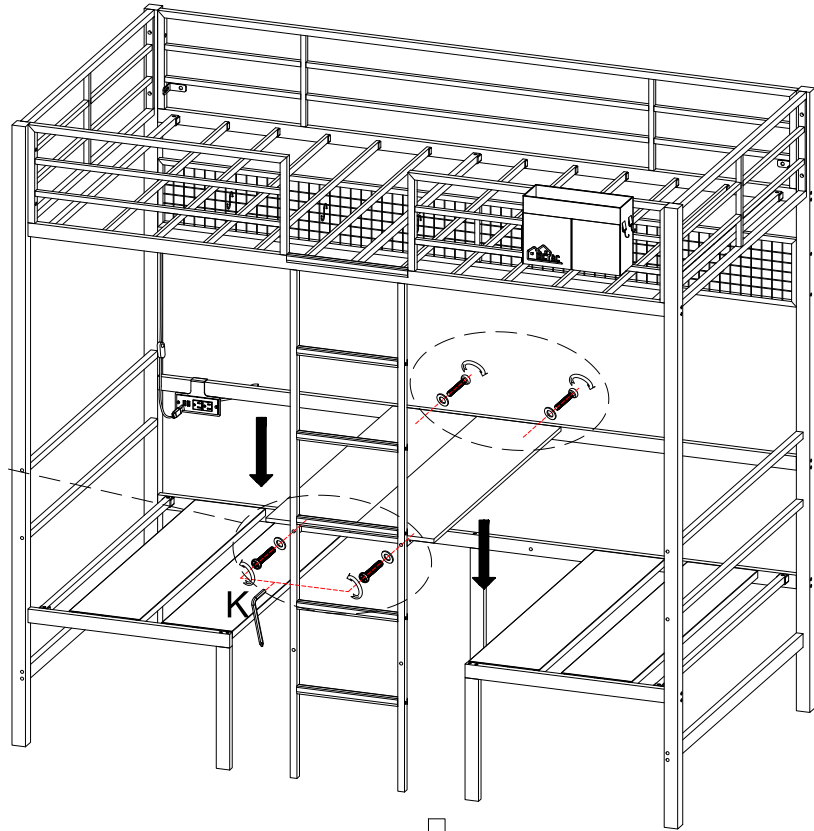
Cut the length as needed.

Please remove the adhesive tape numbered U first, and then stick it onto component number 12 .
As shown in the figure





Unscrew the screw



Tighten the screw

