





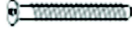




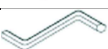
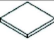
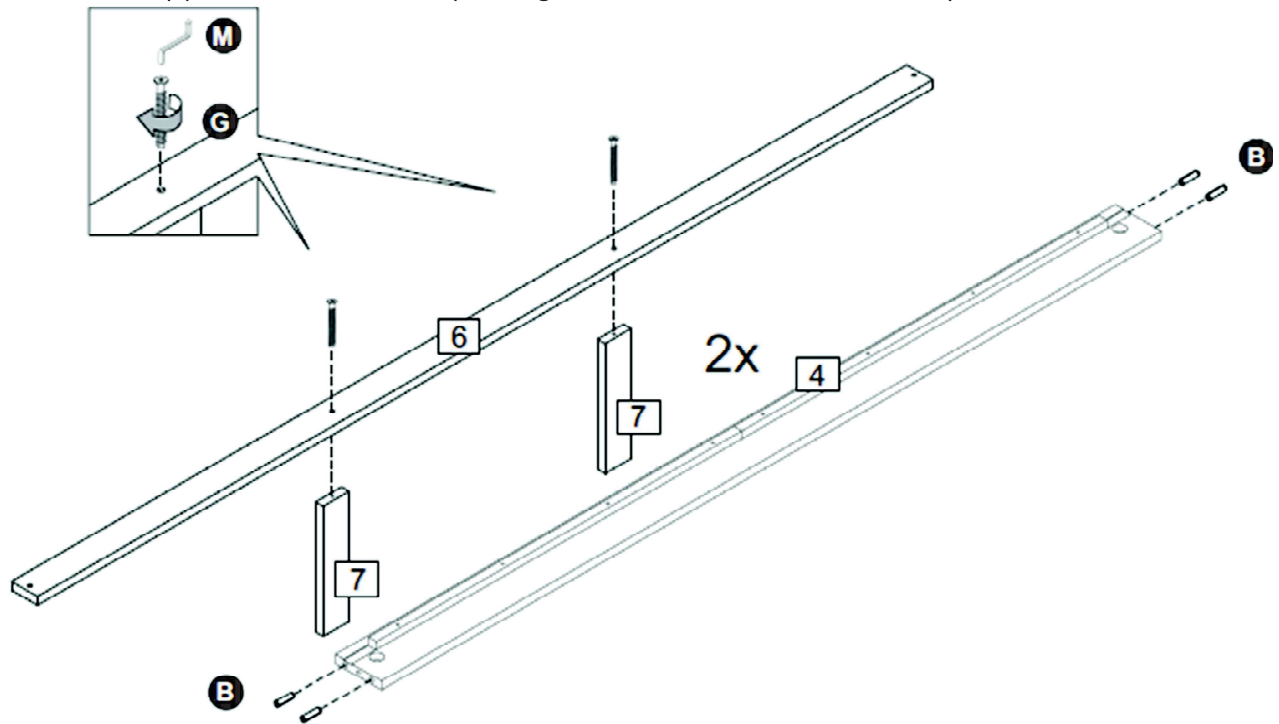
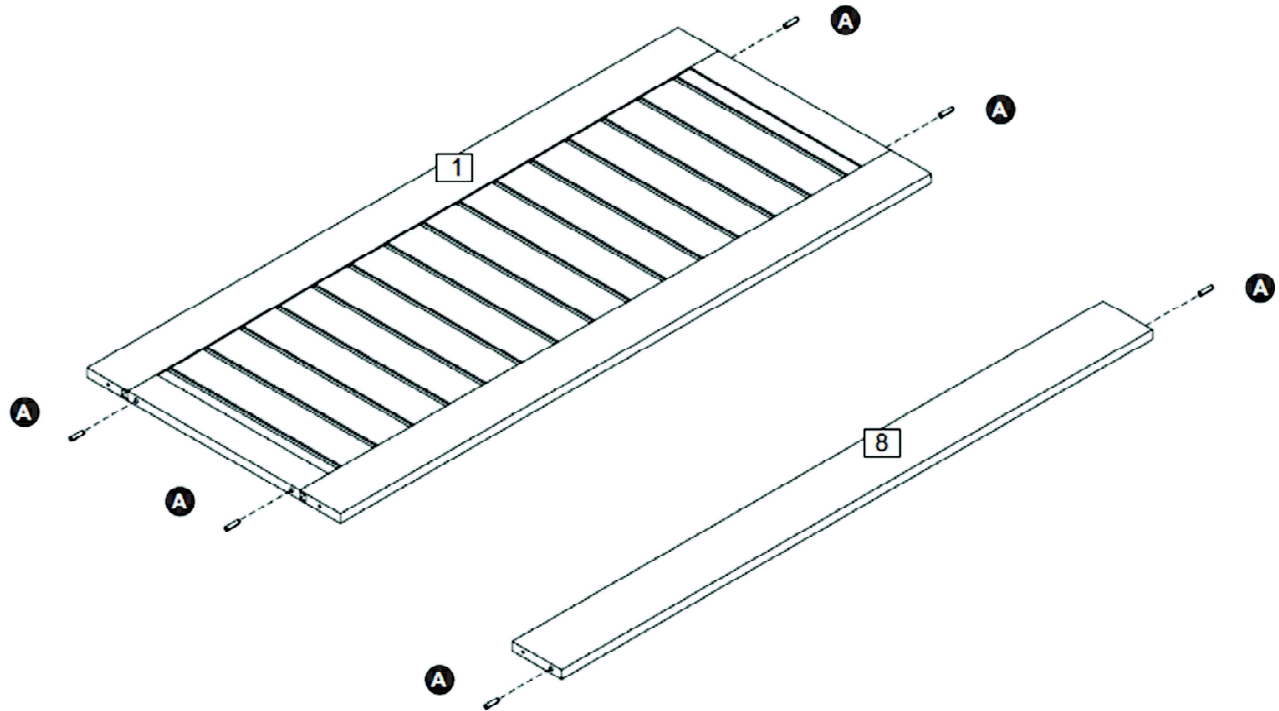


Parts List				Hardware List (found in box 1)		
Part	Description	Box	Qty	Part	Description	Qty
1	Headend Panel	1	1	A	30 mm Dowel 	6
2	Left Headend Post	3	1	B	40 mm Dowel 	8
3	Right Headend Post	3	1	C	16 mm Screw 	8
4	Side Rail	2	2	D	30 mm Screw 	64
5	Slat	1	32	E	32 mm Bolt 	2
6	Centre Rail	2	1	F	Nut 	2
7	Support Leg	1	2	G	50 mm Bolt 	2
8	Footend Panel	1	1	H	90 mm Bolt 	6
9	Left Footend Post	3	1	J	100 mm Bolt 	4
10	Right Footend Post	3	1	K	Elliptical Nut 	4
11	Hardware Kit	1	1	L	Metal Bracket 	2
** You will need a screwdriver, M11 spanner and a small mallet (not provided).				M	Allen Key 	1
				N	Spacer 	2

Step 1: Attach the support legs (7) to the centre rail (6) using hardware parts G and M, then insert hardware part B to the side rails (4) using a small mallet (not provided).
DO NOT use any power tools as this may damage the frame and will invalidate any claim.

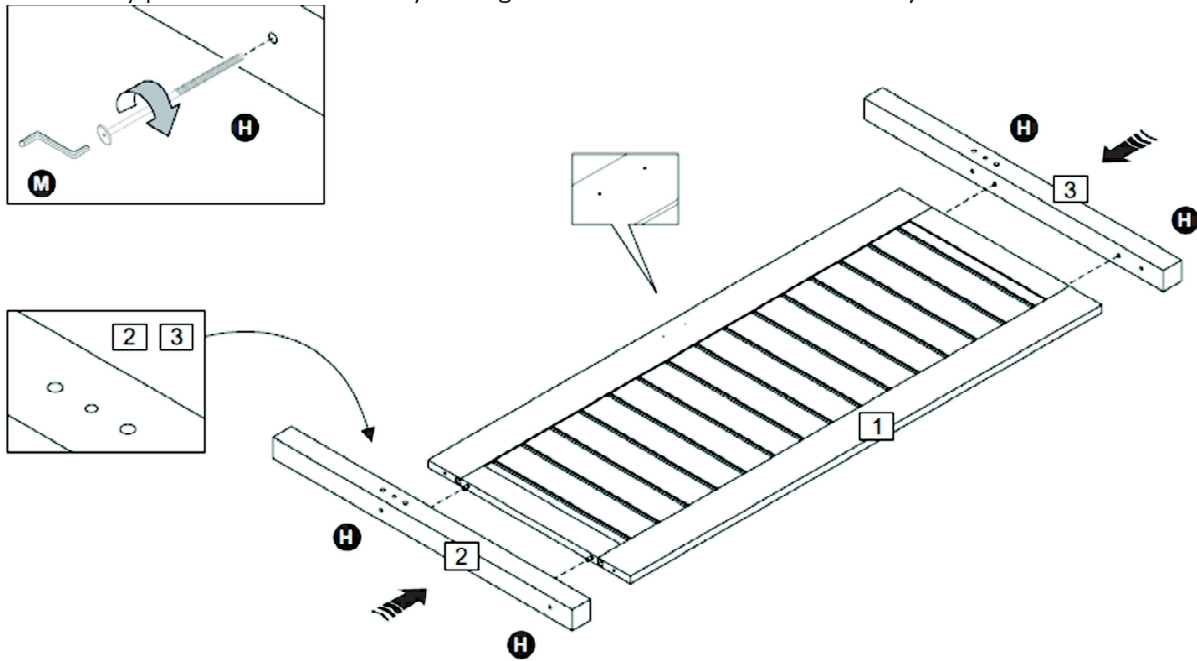


Step 2: Insert hardware part A to the headend panel (1) and footend panel (8) using a small mallet (not provided).
DO NOT use any power tools as this may damage the frame and will invalidate any claim.



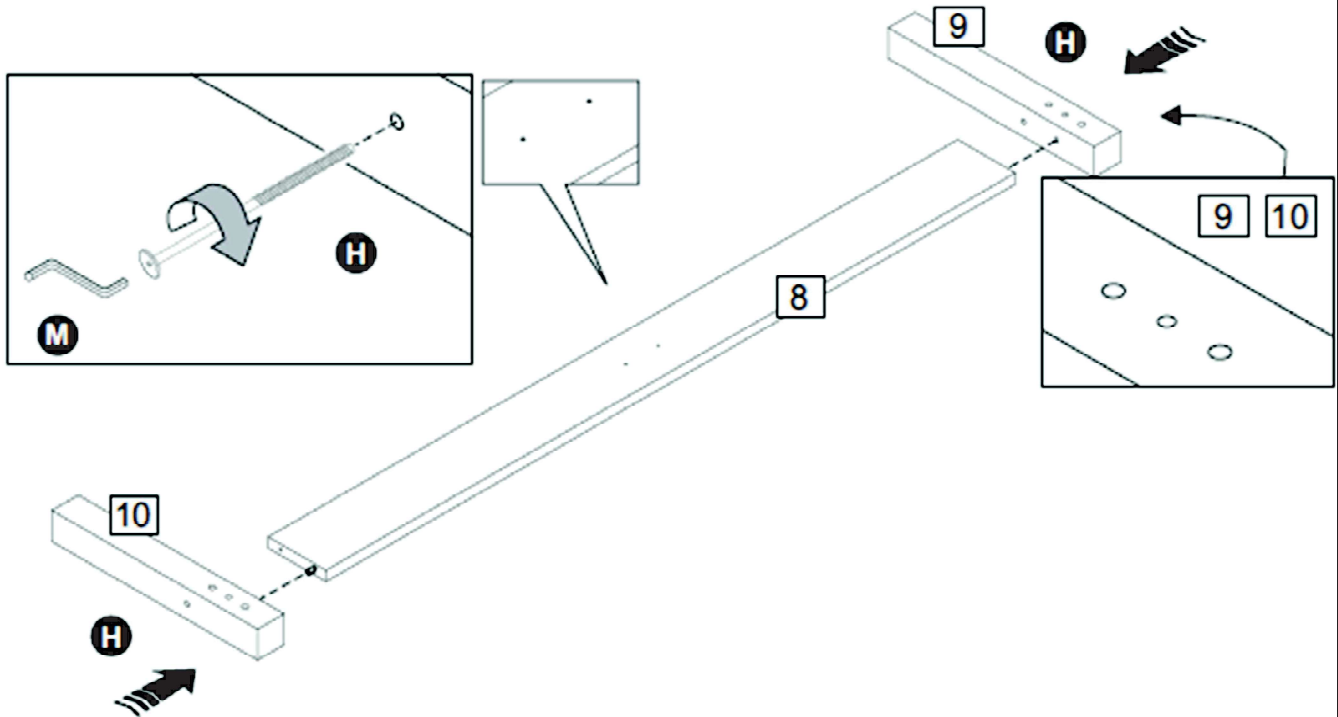
Step 3: Attach the left headend post (2) and right headend post (3) to the headend panel (1) using hardware parts H and M.

DO NOT use any power tools as this may damage the frame and will invalidate any claim.



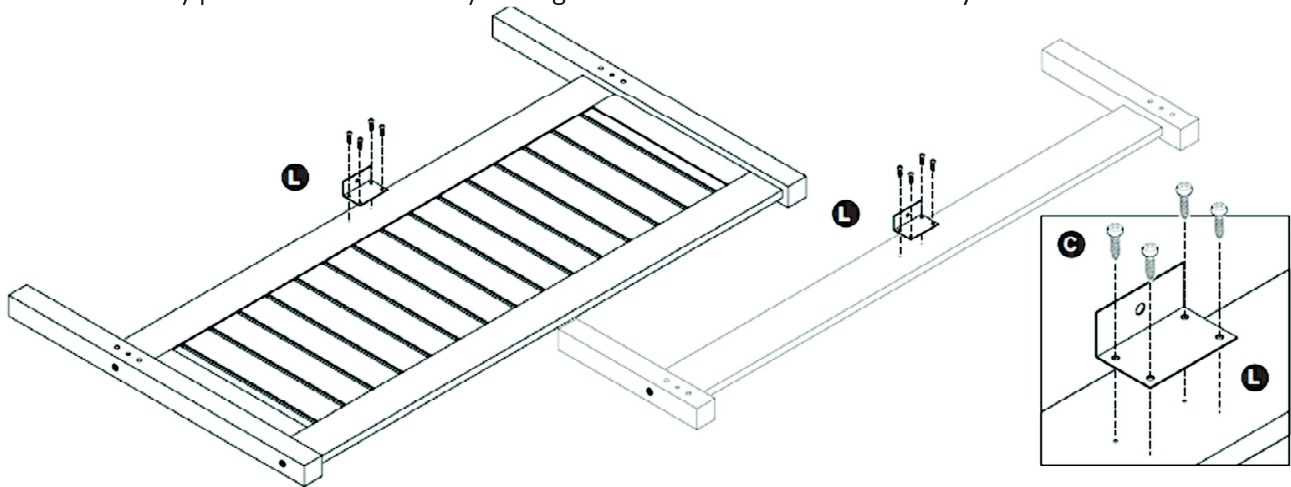
Step 4: Attach the left footend post (9) and right footend post (10) to the footend panel (8) using hardware parts H and M.

DO NOT use any power tools as this may damage the frame and will invalidate any claim.



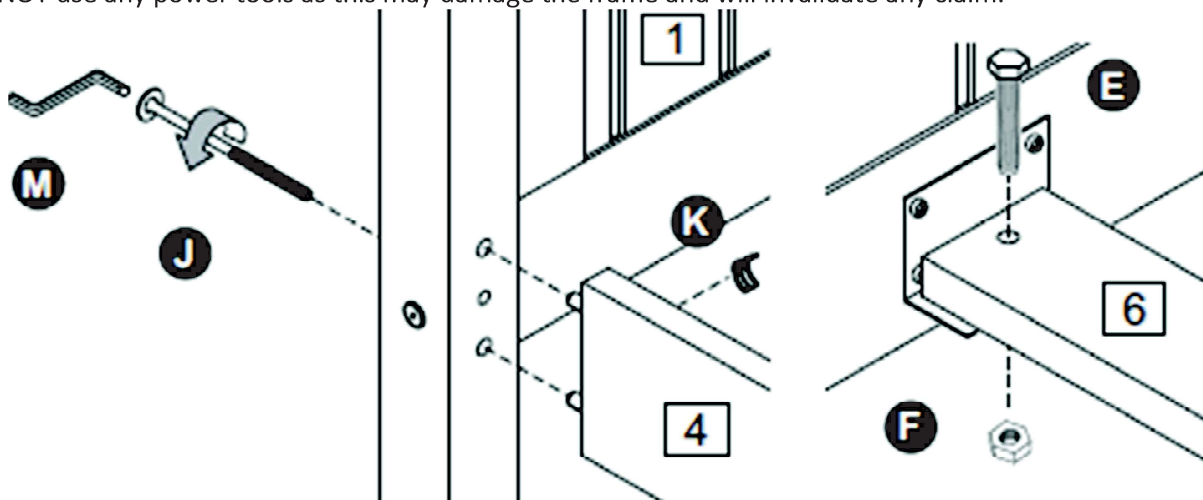
Step 5: Fix hardware part L to the headend panel (1) and footend panel (8) using hardware part C and a screwdriver (not provided).

DO NOT use any power tools as this may damage the frame and will invalidate any claim.



Step 6: Attach the side rails (4) to the headend posts using hardware parts J, K and M, then fix the centre rail (6) using hardware parts E and F and a spanner (not provided).

DO NOT use any power tools as this may damage the frame and will invalidate any claim.



Step 7: Attach footend posts to side rails (8) using hardware parts J, K and M, then fix the centre rail (6) using hardware parts E and F with a spanner (not provided).

DO NOT use any power tools as this may damage the frame and will invalidate any claim.

