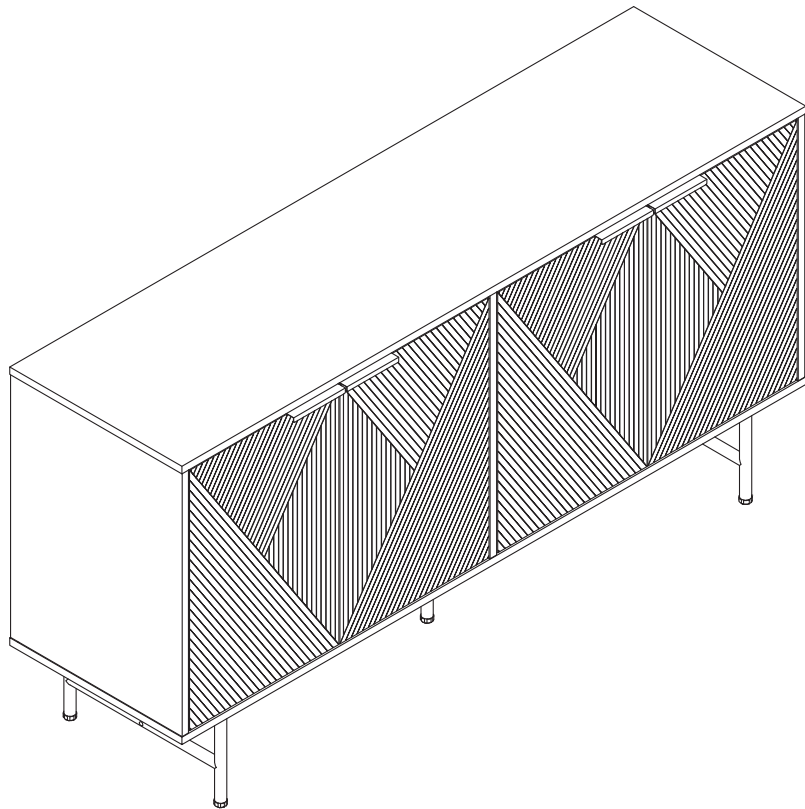


4-Door Accent Cabinet



NOTICE

Please keep these instructions for future reference.

Dear Customer

● Thank you for your purchase. When you receive the product, please make sure that all the parts are intact. If any parts are missing, please contact us promptly to request replacement parts.

● Then follow the entire installation instructions to install.

● Each part is crucial, so please be careful not to lose any. It is recommended to store parts with different lettered identifiers in separate boxes or bags to avoid confusion during installation.

A . The outer box is damaged

B . The product is damaged / bent / cracked while you open the box

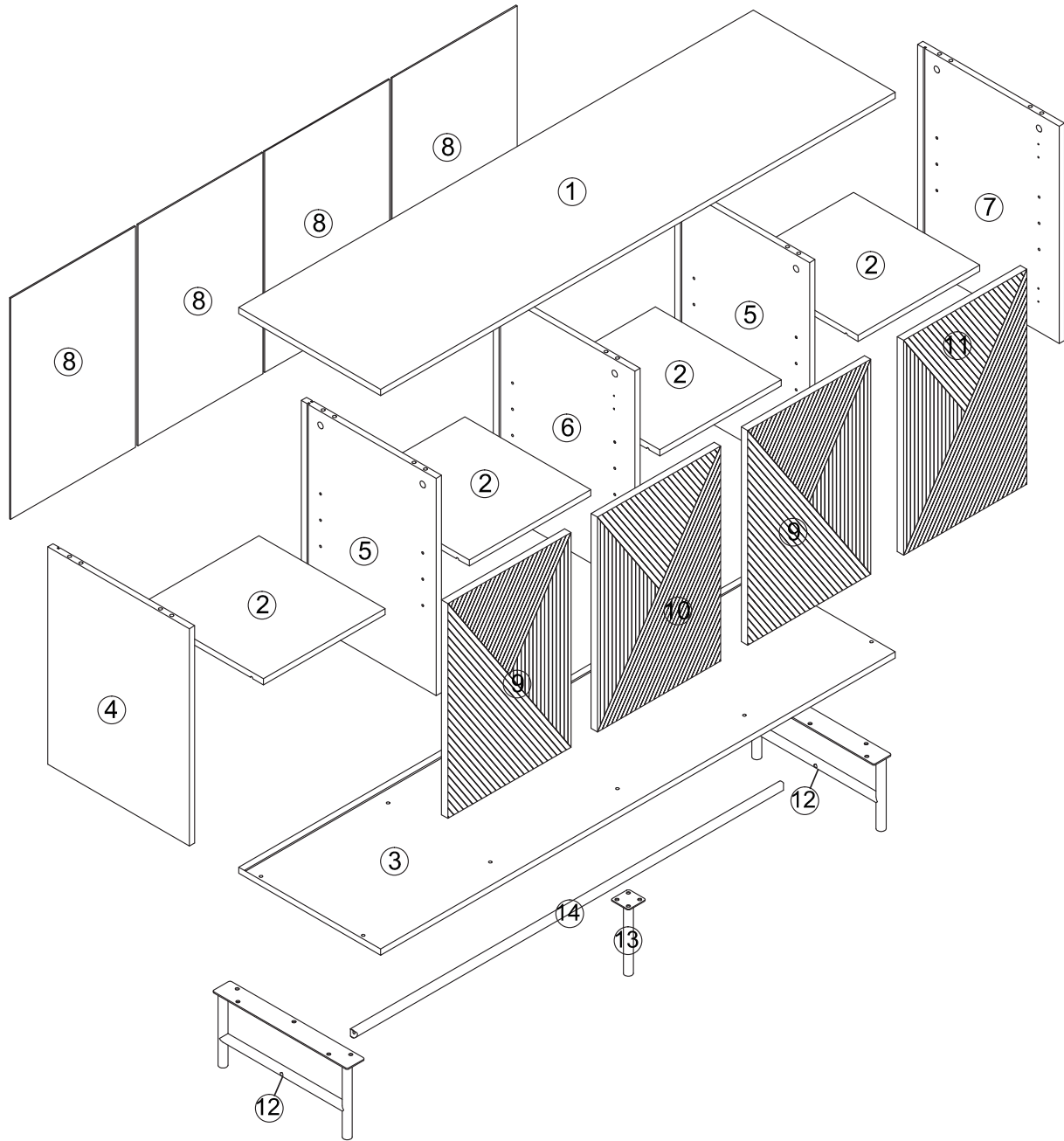
C . The parts / accessories / assembly tools are missing

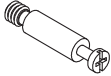
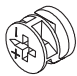

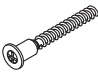






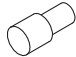
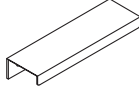
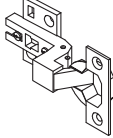
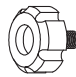

D . The instructions are not clear and can not be referred

E . The product has functional problems

F . Other aspects that you are not satisfied with

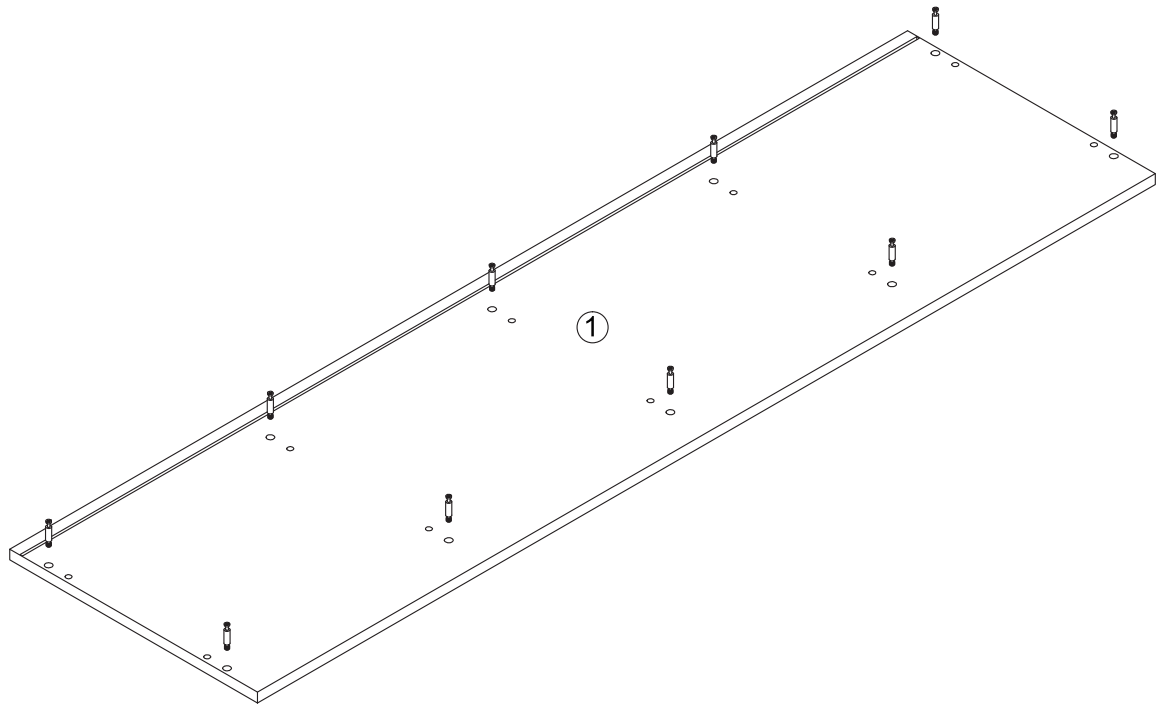
PART LIST



				
A*10	B*10	Ø8*40	M7*50	M3.5*14
				
M6*12	M6*35	H*24	I*2	Ø20
				
K*16	L*4	M*8	N*5	O*1

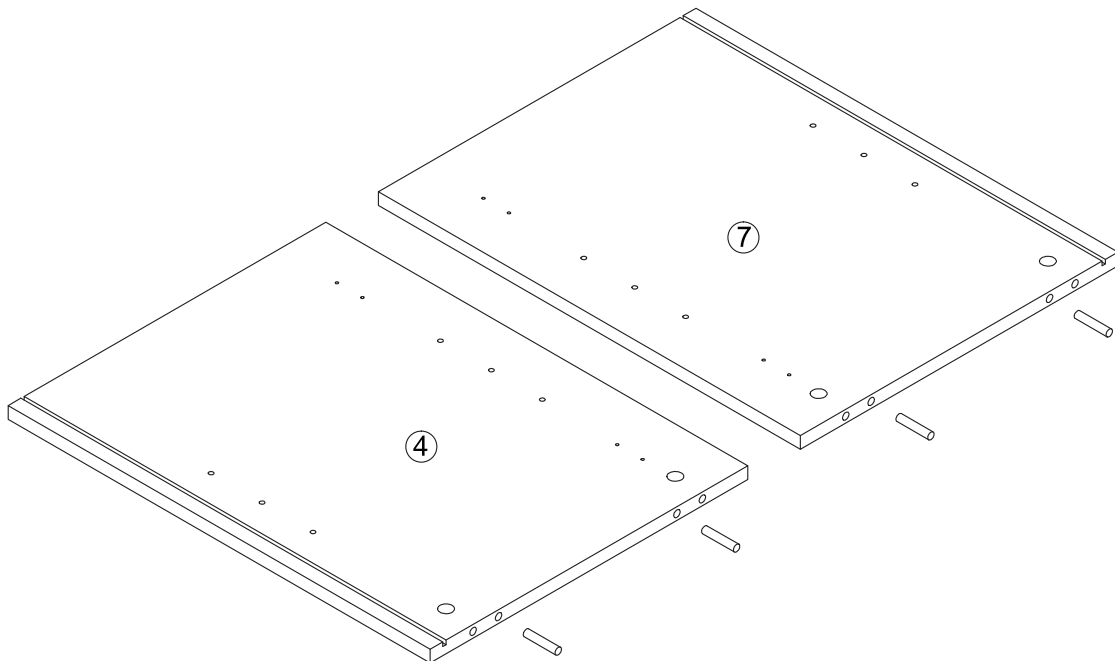
STEP

01



A×10

02

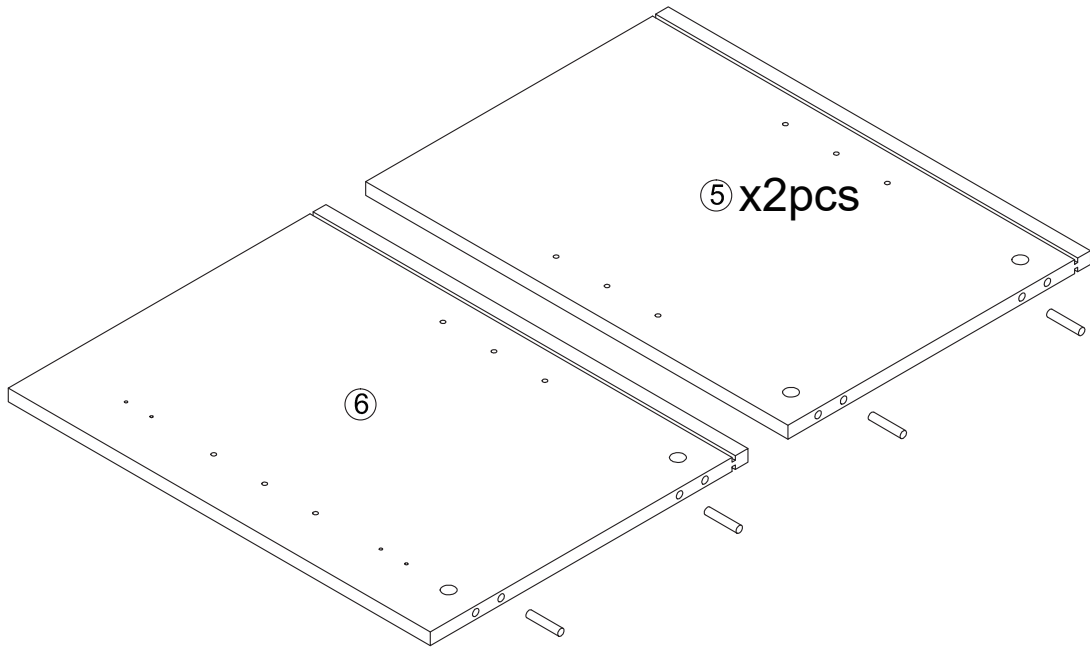


C×4

03

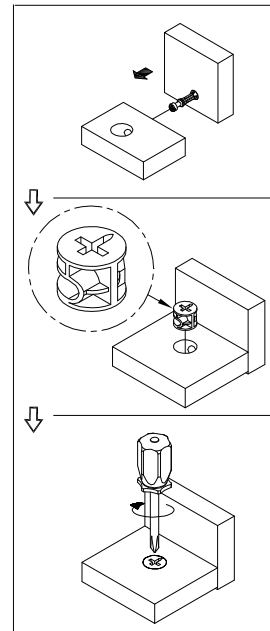
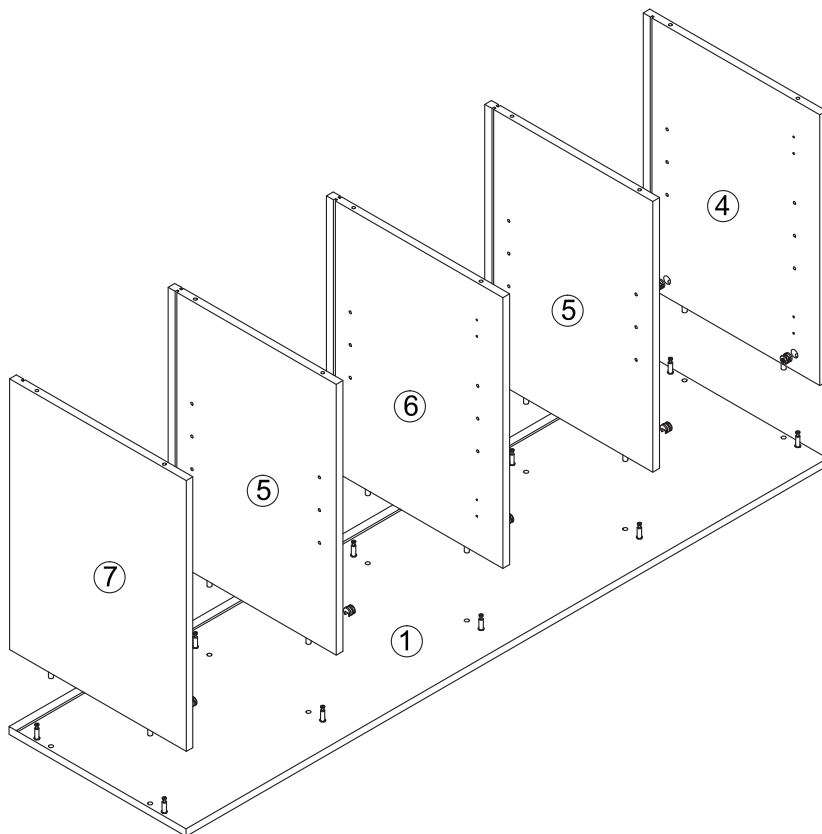
STEP

03



C×6

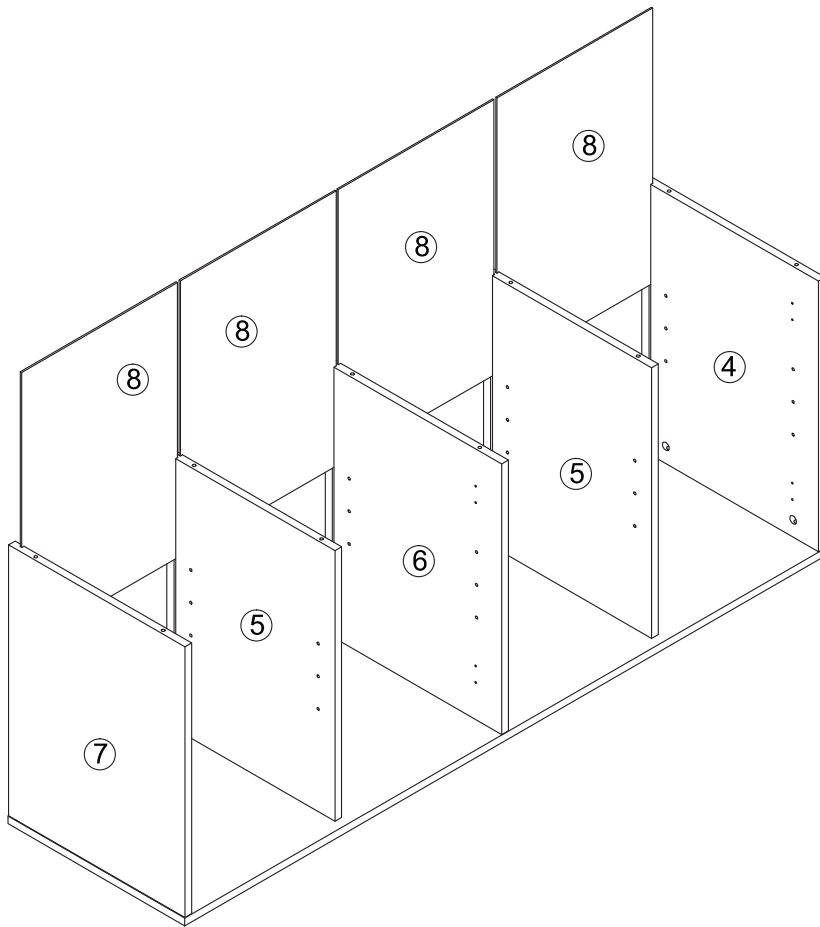
04



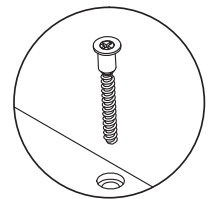
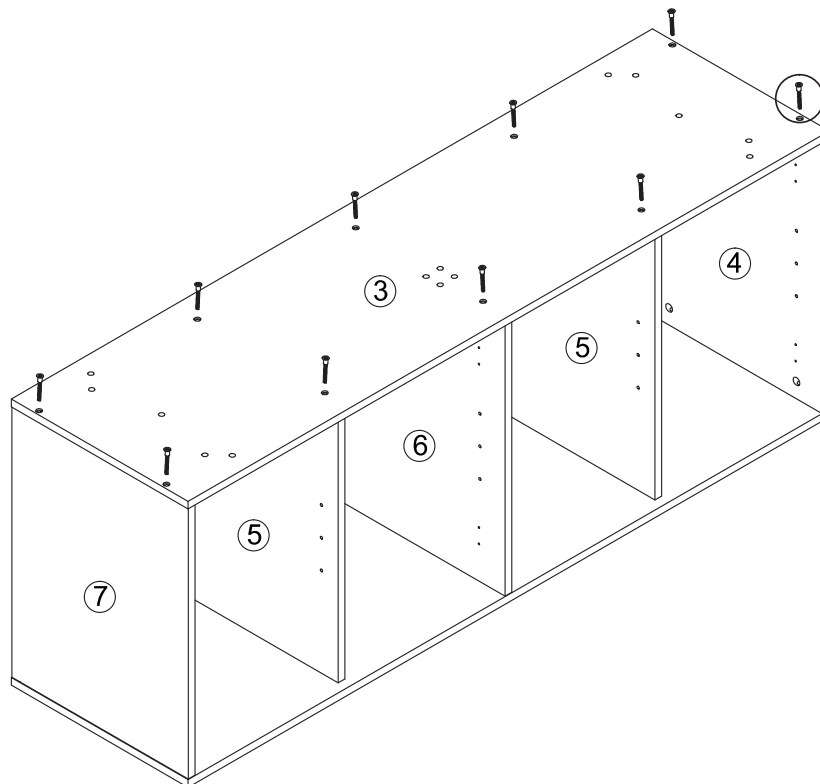
B×10

STEP

05



06

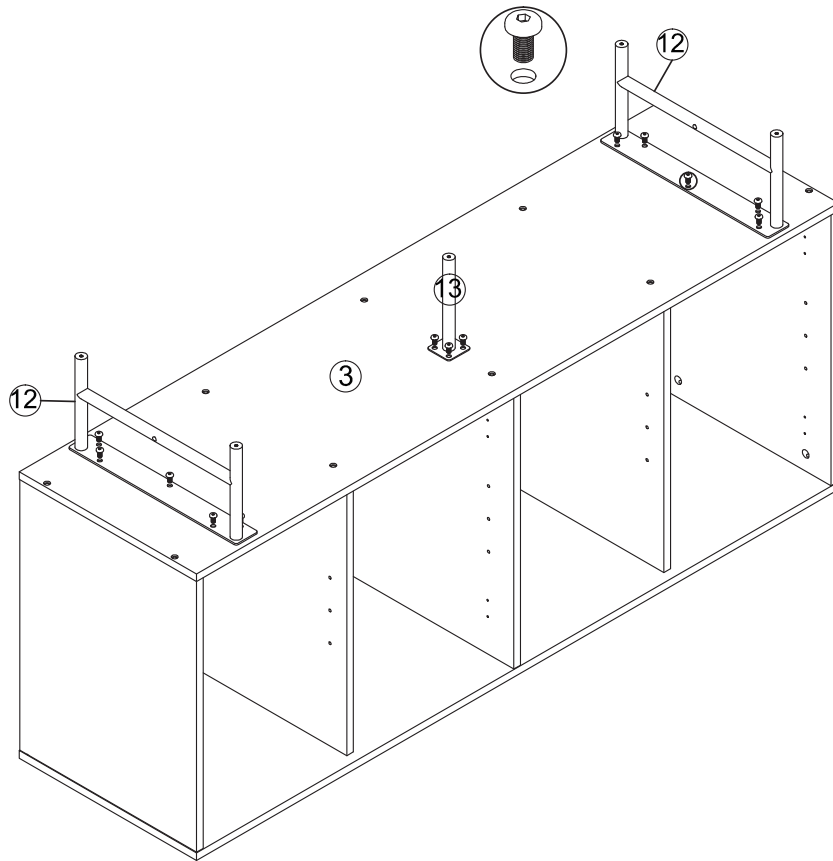


D×10

05

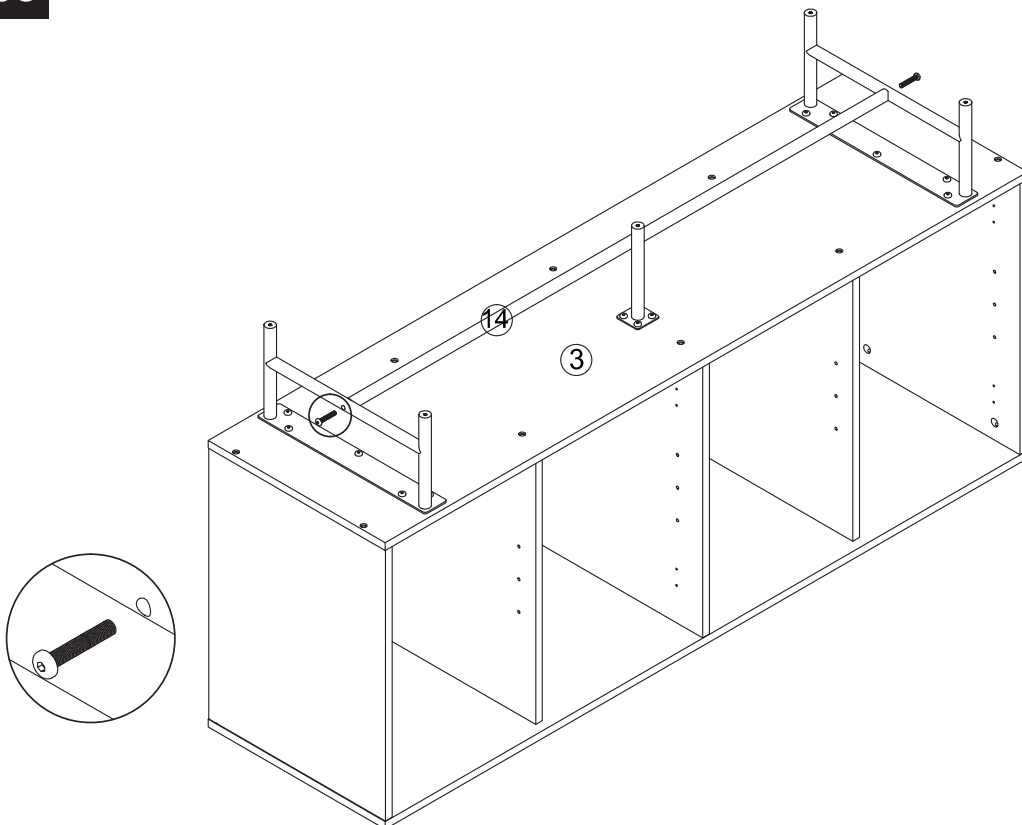
STEP

07



F×14

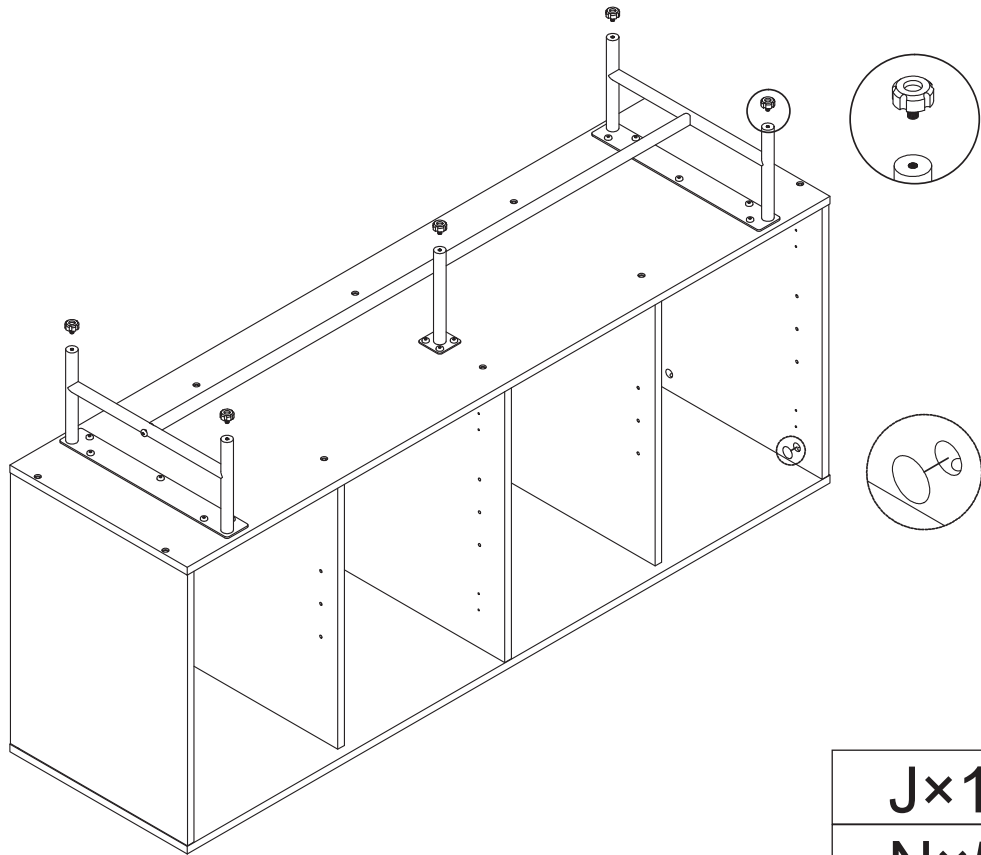
08



G×2

STEP

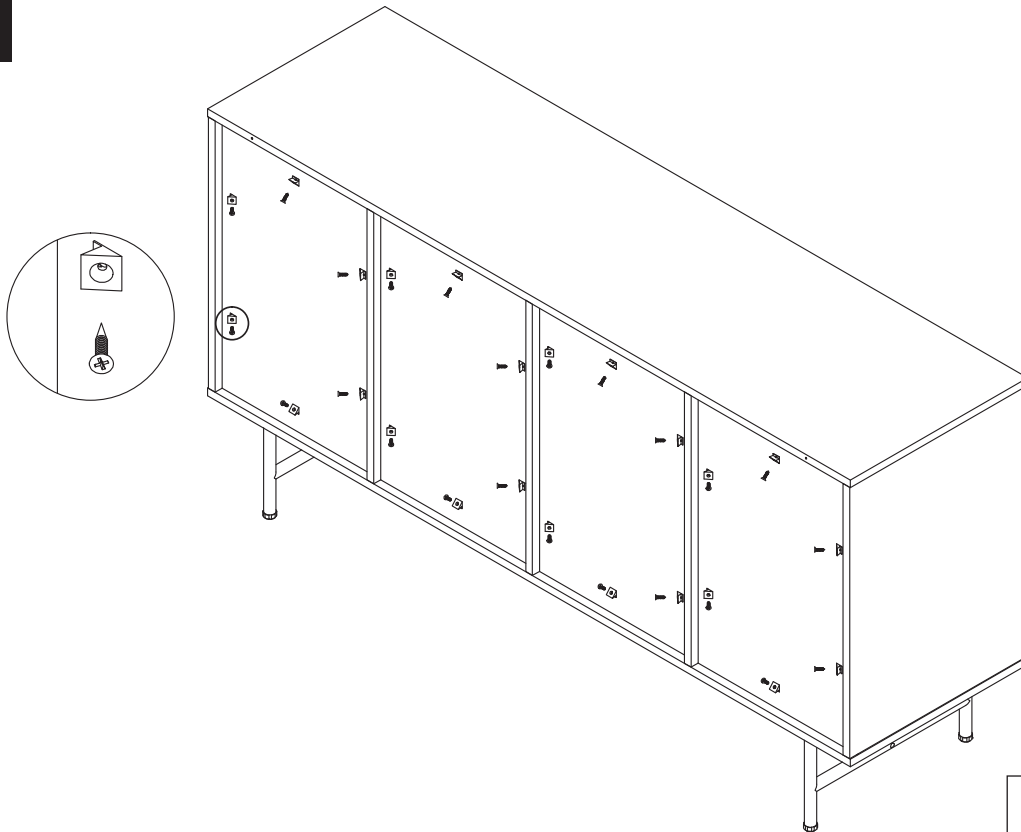
09



J×10

N×5

10

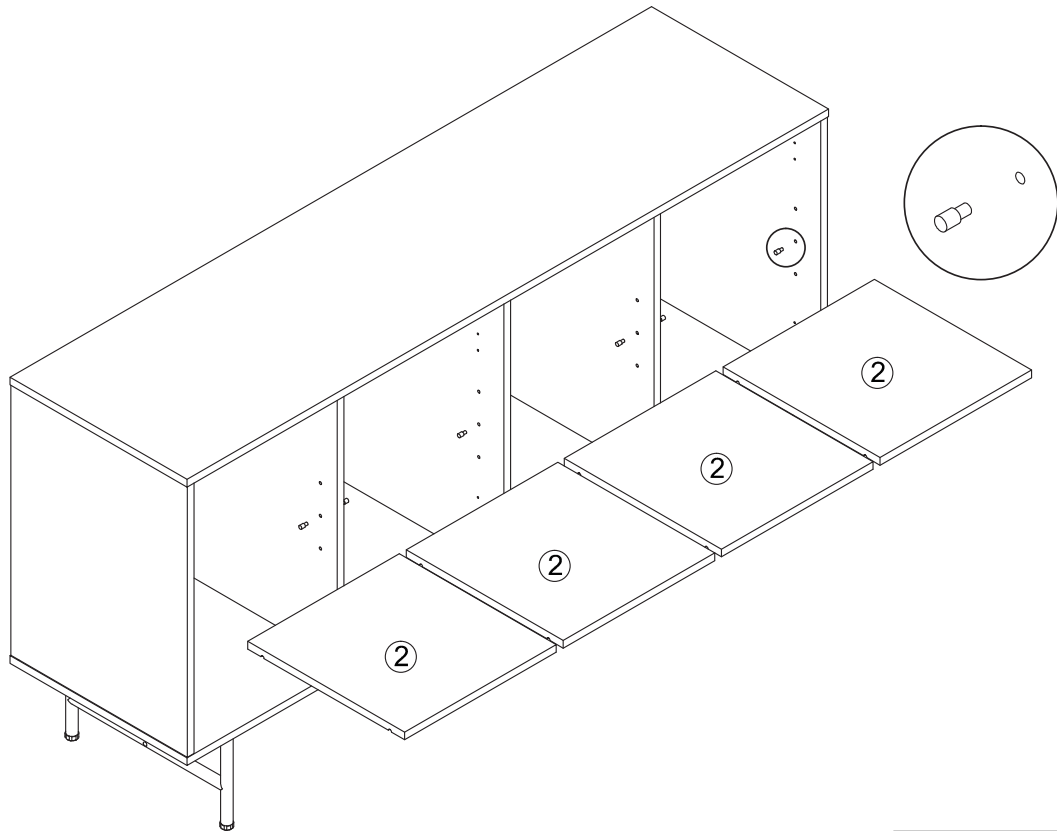


E×24

H×24

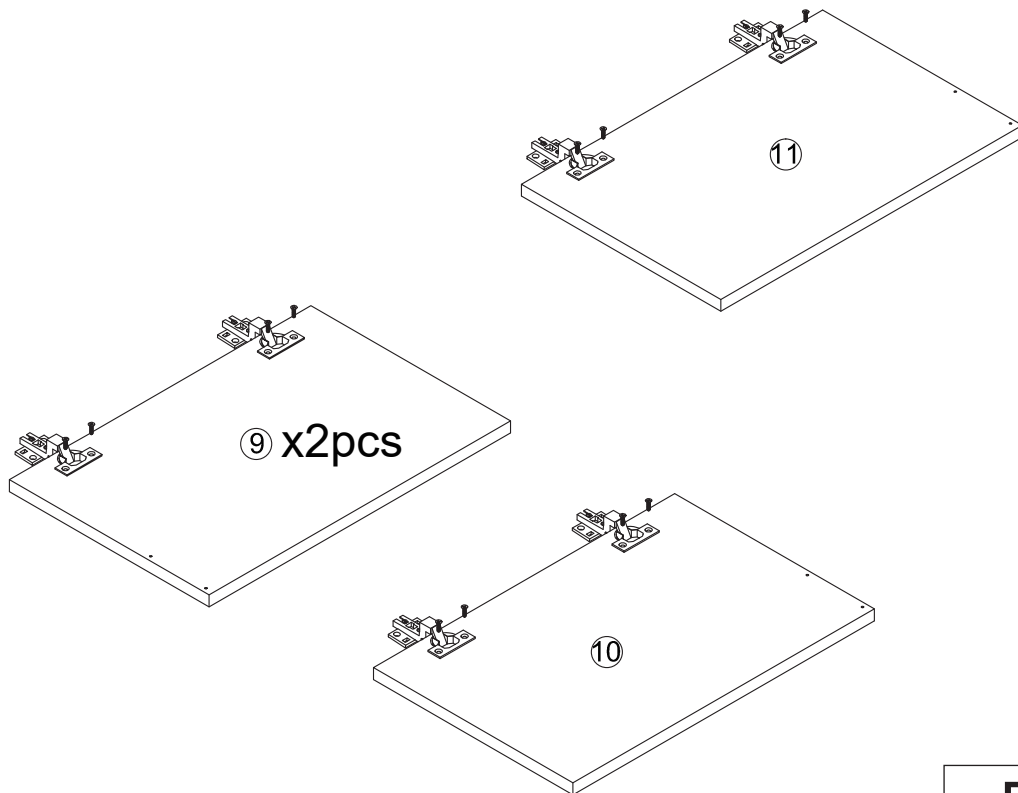
STEP

11



K×16

12

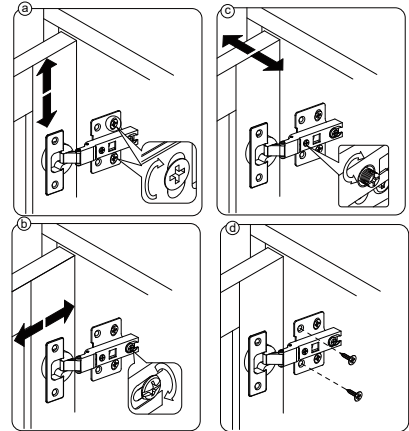
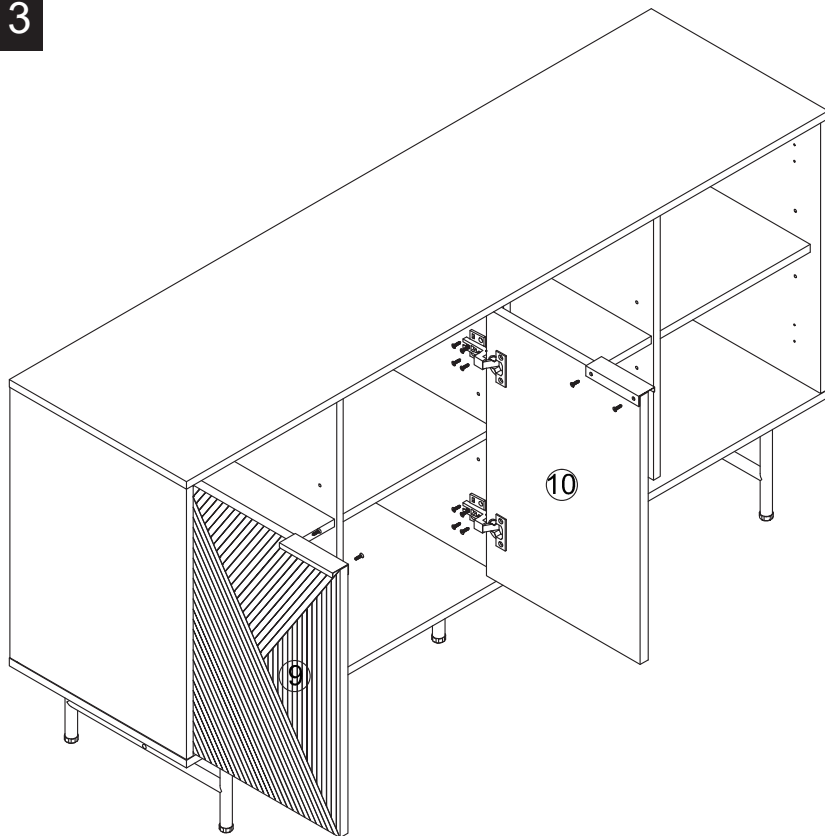


E×16

M×8

STEP

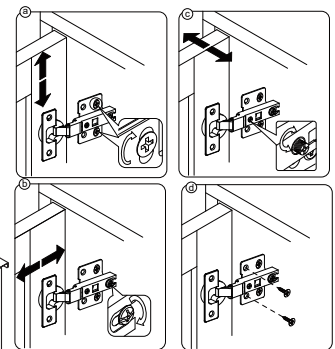
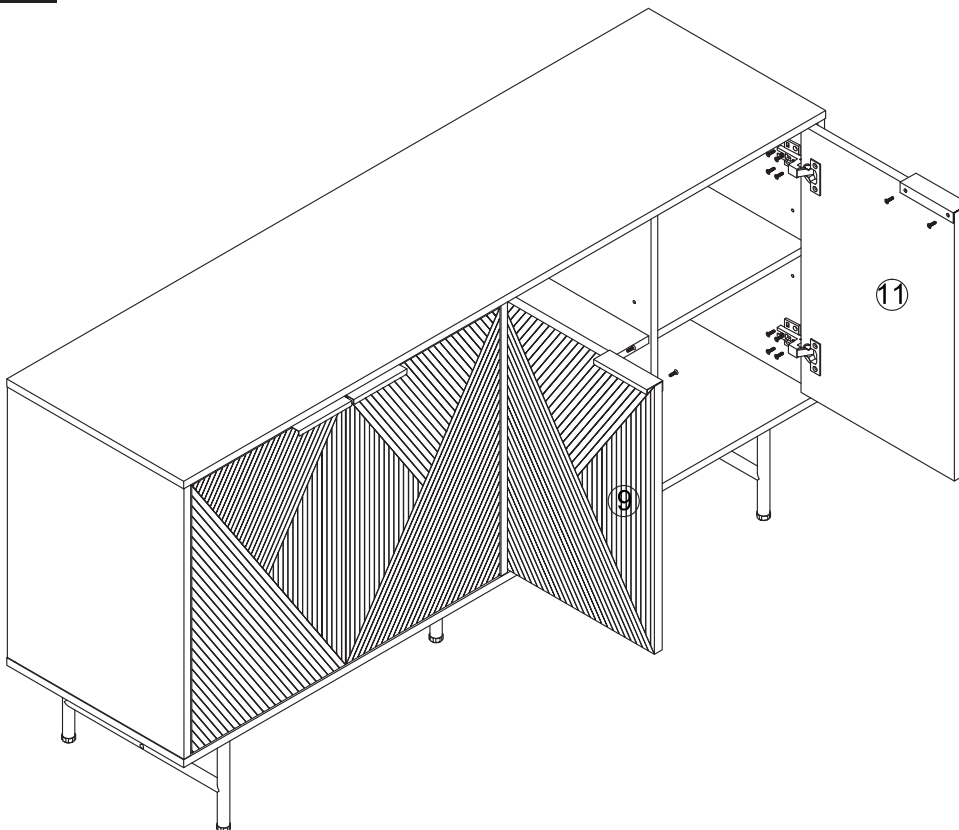
13



E×20

L×2

14

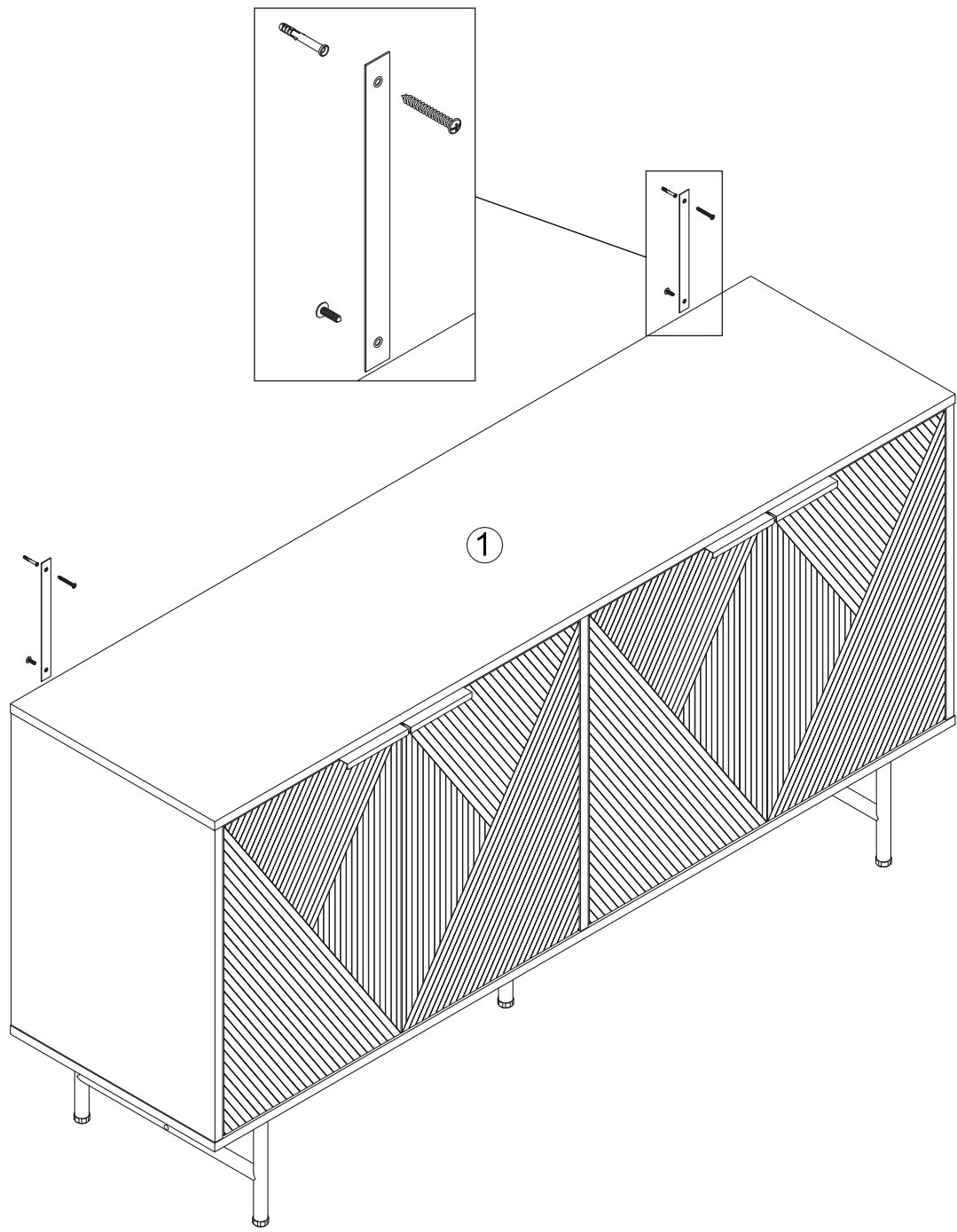


E×20

L×2

STEP

15



1*2