

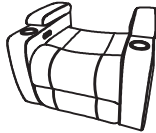

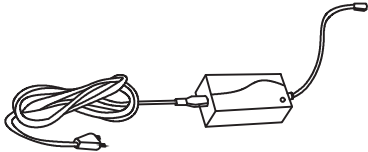

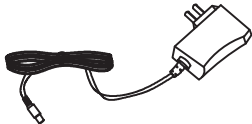
ASSEMBLY INSTRUCTION

POWER RECLINING CHAIR

Power Reclining Chair with Power Headrest, Heat & Massage, Receptacle, Cup-Holders with LED light, Charging Ports and Storage Arms

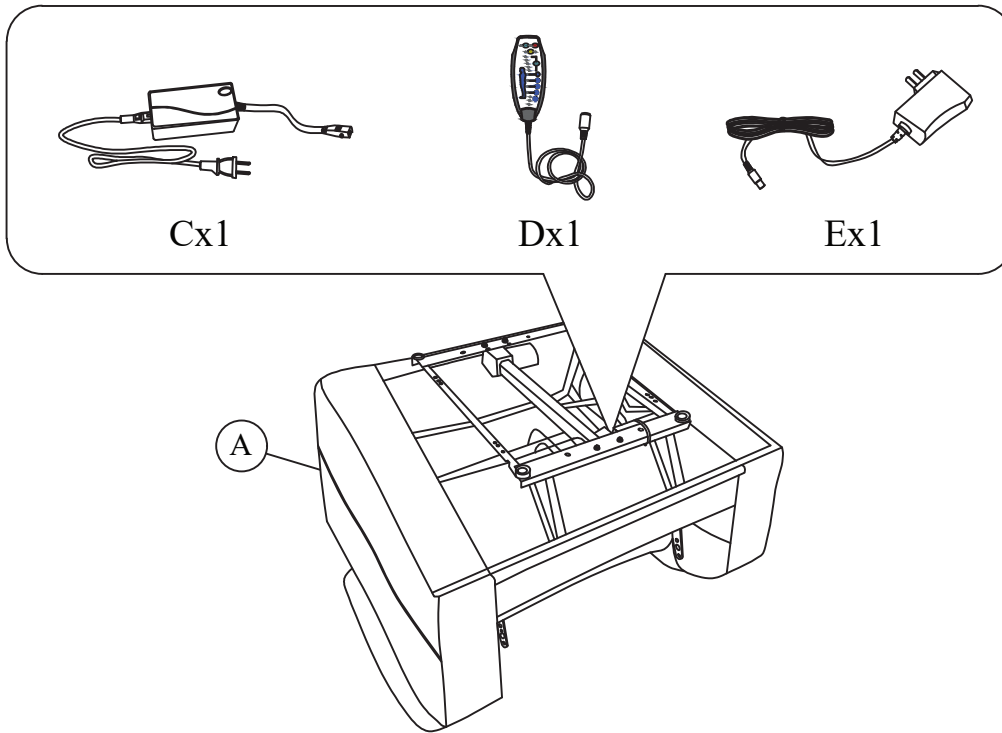
NOTE: Do not use power tools for assembly. Power tools increase the risk of over tightening which leads to splitting or cracking the wood.

COMPONENT LIST (CHAIR)

| NO. | DRAWING | QTY | DESCRIPTION |
|-----|---|-----|--------------------------------|
| A |  | 1 | SEAT |
| B |  | 1 | BACK REST |
| C |  | 1 | PLUG FOR CHAIR POWER ON/OFF |
| D |  | 1 | MASSAGE CONTROLLER |
| E |  | 1 | PLUG FOR MASSAGER |

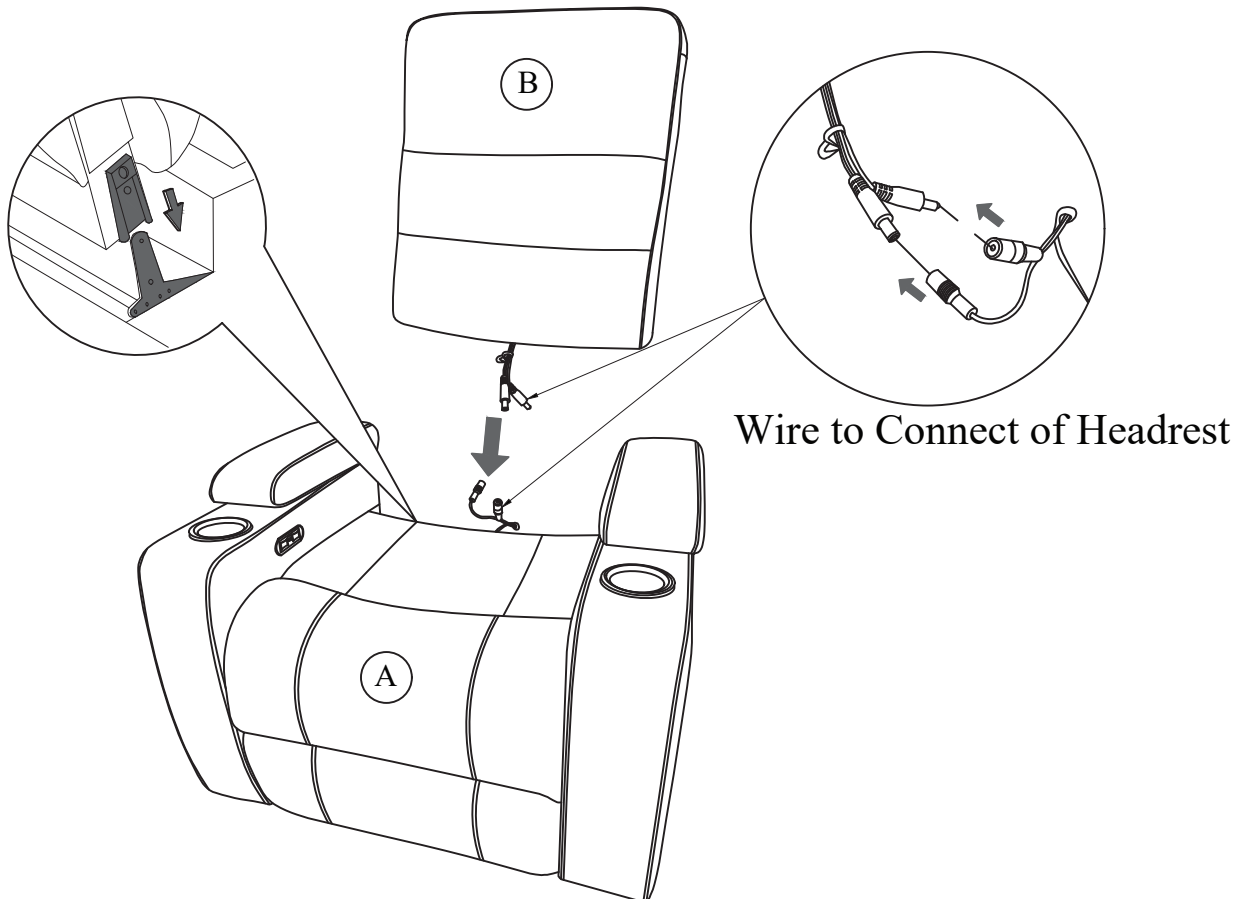
STEP# 1

Part are located at the bottom chair.



STEP# 2

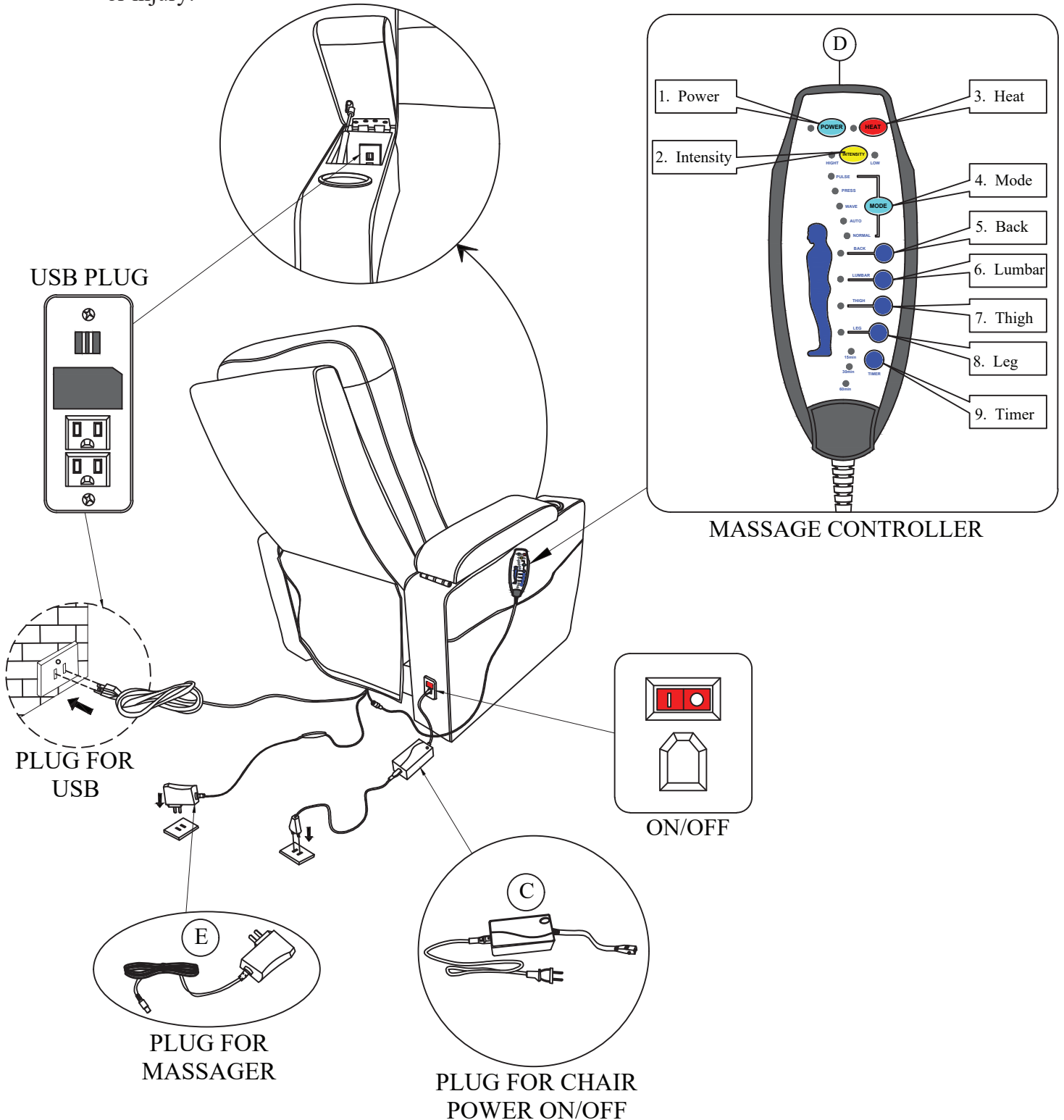
Insert Back Rest (B) to the Seat (A).



STEP# 3

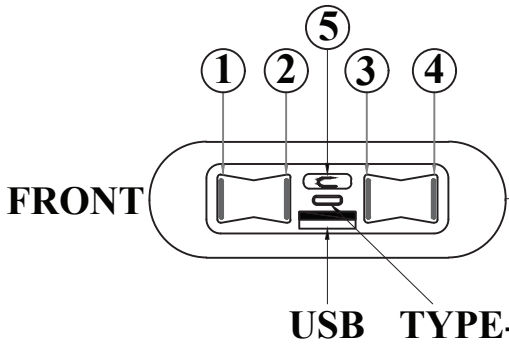
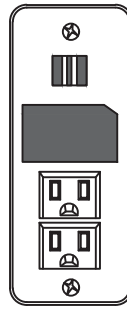
To operate the chair:

- Make sure the switch is off before you plug/connect the wire.
- Connect the wire to the switch which locate at the lower back of the seat, plug in to the outlet.
- Switch on to operate the power chair.
- Please always turn off the switch and unplug it before you move or switch the chair.
- Do not modify the electrical parts or use extension cord, improper usage may cause damages or injury.

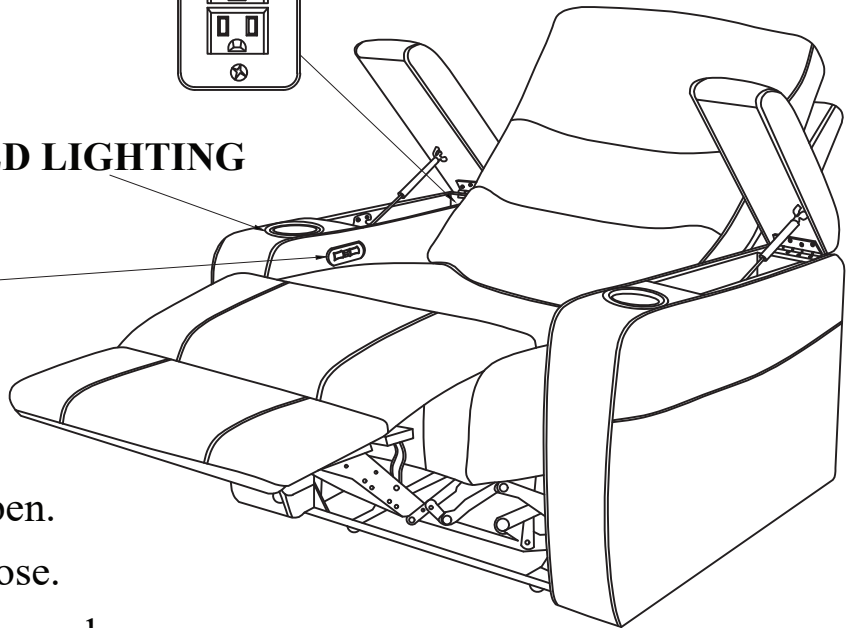


STEP# 4
Completed.

USB PLUG



LED LIGHTING



1. Press button **1** Leg Rest Open.
2. Press button **2** Leg Rest Close.
3. Press button **3** Headrest Forward.
4. Press button **4** Headrest Back.
5. Home button **5** All Close.

Care Instruction for Premium Faux Leather Furniture.

In order to maintain the original appearance of your Premium Faux Leather furniture, please follow below simple care procedures:

- Avoid exposing furniture directly to sunlight or heating and air conditioning outlets. Sunlight and/or exposure to heating and air conditioning outlets will fade/damage Premium Faux Leather.
- Do not place your Premium Faux Leather furniture too close to windows, radiators, or vents.
- Vacuum or wipe with a soft brush to remove dust.
- Hardware may loosen over time. Periodically check to make sure all connection are tight, Re-tighten if necessary.



- For items use on wooden floor, hard surfaces or carpets, it is recommended to install protective pads
- under all legs and supports to avoid/prevent from damages/scratches and discoloration.

Warning

Do not allow electrical cord to be pinched between moving parts or between the frame and the floor. Do not place cord under carpet or in location where it could become worn.

How to operate chair:

- Turn the unit **ON** by pressing the **POWER** button once, The LED will illuminate when power is on.
- Turn on the massage in each zone by pressing the **BACK, LUMBAR, THINGS** or **LEGS** buttons. LEDs will illuminate when each zone is activated. To turn off a zone, press the button again.
- To choose a desired massage mode, press the **MODE** button. To change modes, press **MODE** button until LED for desired mode illuminates
 - PULSE**---for deep tapping massage
 - PRESS**---provides rapid tapping massage
 - WAVE**----for a gradual, side-to-side vibrating massage
 - AUTO**---provides a random pulsing massage to all zones
 - NORMAL**---for a firm, vibrating massage
- To change the massage intensity press the **INTENSITY** button. The LED for **HIGH** or **LOW** intensities will illuminate when chosen.
- **NOTE:** Discontinue use immediately if you feel any discomfort or pain.
- **NOTE:** for your benefit, the massage chair is equipped with an auto shut-off feature that .
- **DO NOT** use for more than 60 minutes of continuous use.