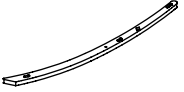





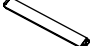






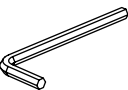
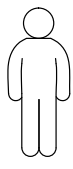
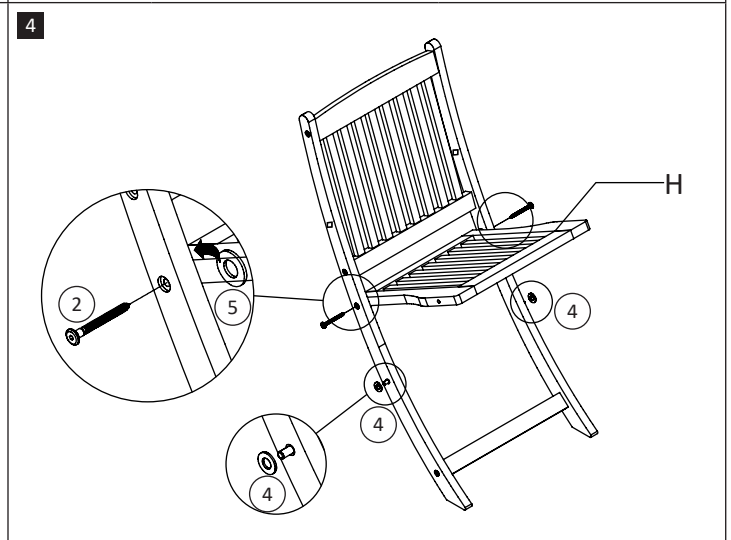
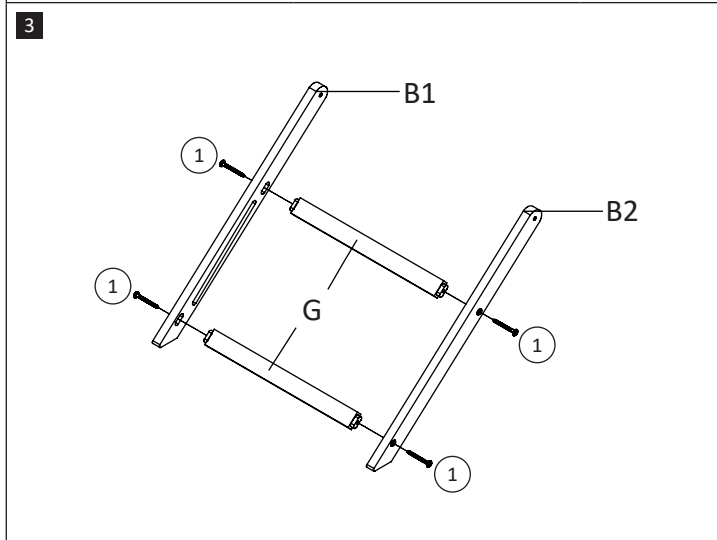
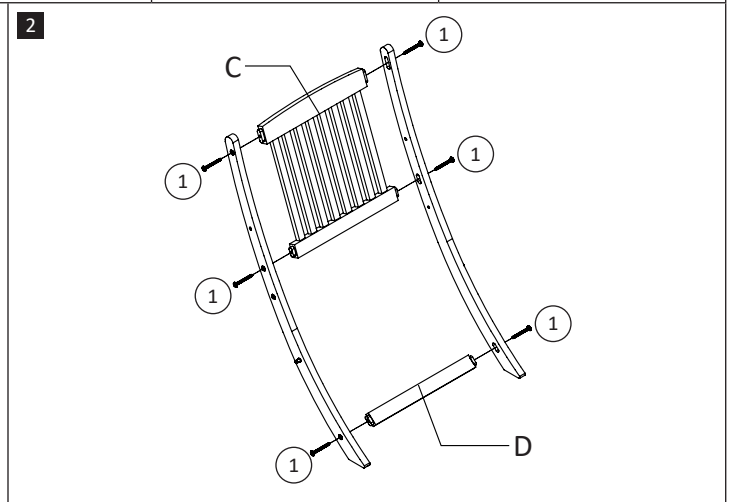
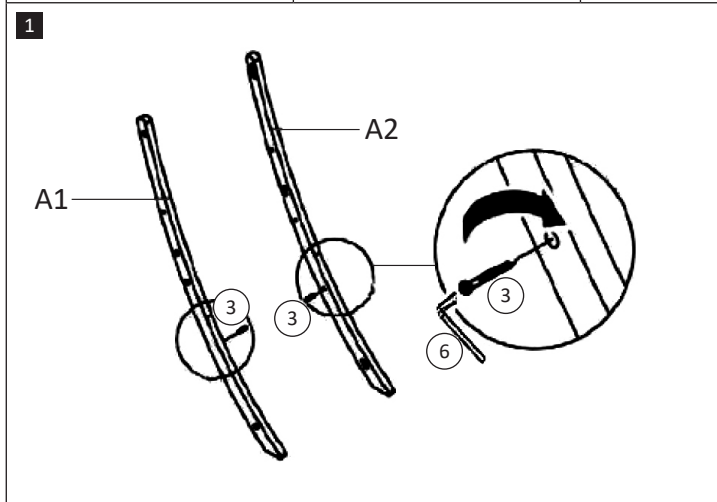
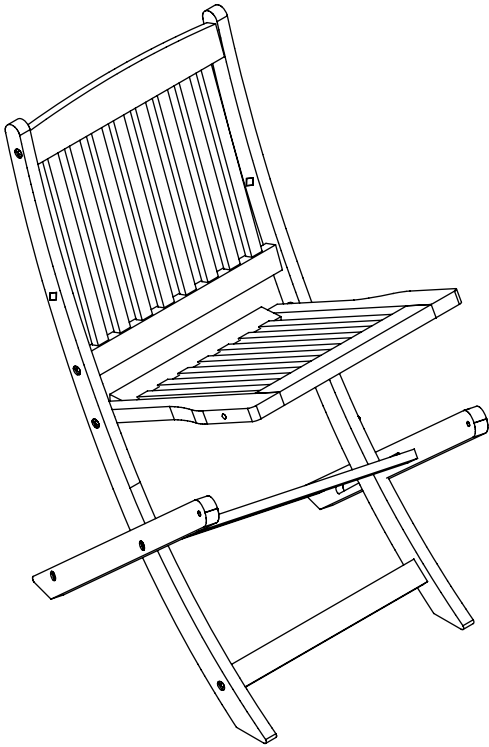


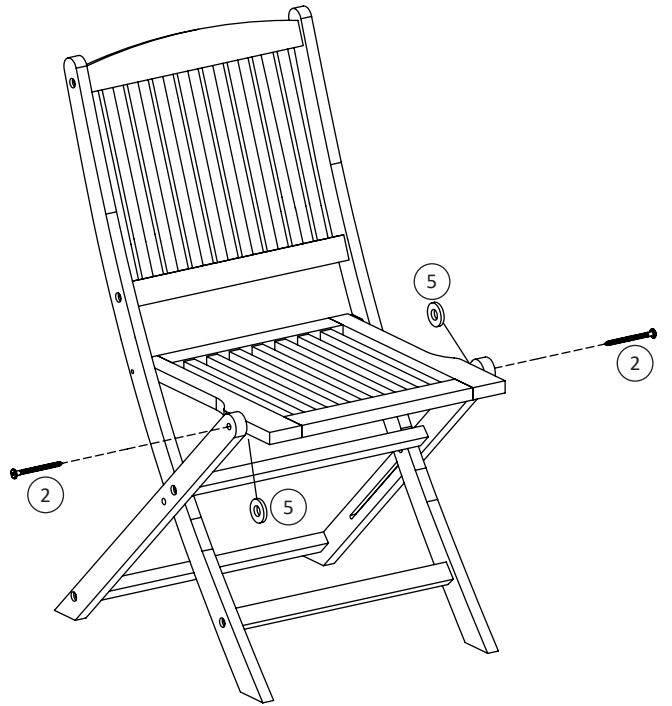
A1x1 	A2x1 	B1x1 	B2x1 	Cx1 
Dx1  $\frac{20 \times 30 \times 420}{0.8 \times 1.2 \times 16.5}$	Gx2  $\frac{20 \times 30 \times 464}{0.8 \times 1.2 \times 18.3}$	Hx1 	① x10  $M6 \times \frac{60}{2.4}$	② x4  $M7 \times \frac{60}{2.4}$
③ x2  $M6 \times \frac{30}{1.2}$	④ x2  $M8 \times \frac{20}{0.8} \times 1$	⑤ x4  $M8 \times \frac{20}{0.8} \times 2$	⑥ x2 	 $\frac{\text{mm}}{\text{inch}}$ x1



5



6



7

