




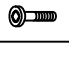
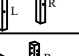
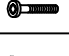


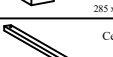
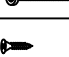

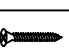
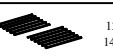





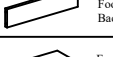
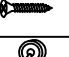
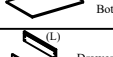


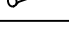




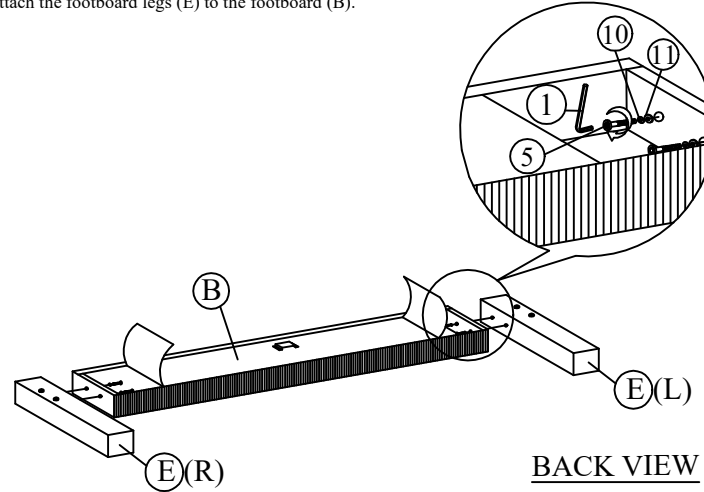


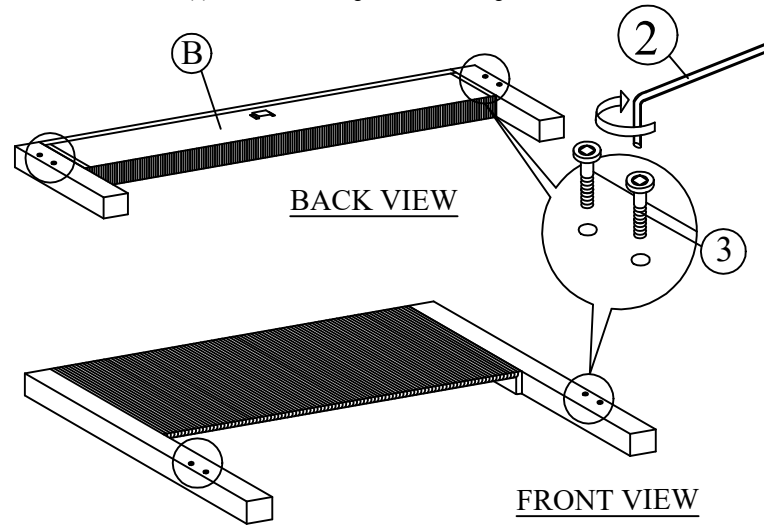
Assembly Instruction

PART LIST			HARDWARE		
A	 Headboard	1pc	1	 Allen Key 65mm	1pc
B	 Footboard	1pc	2	 Allen Key 70mm	1pc
C	 Side Rail C1 C2	4pcs	3	 JCBB M8 x 20	8pcs
D	 Headboard Legs	2pcs	4	 JCBC M6 x 30	8pcs
E	 Footboard Legs	2pcs	5	 JCBC M6 x 50	8pcs
F	 Side Rail Legs 285 x 80 x 30mm	2pcs	6	 JCBC M6 x 60	3pcs
G	 Center Rail 870mm	1pc	7	 CSK Screw 16mm	16pcs
H	 Center Rail 960mm	1pc	8	 CSK Screw 32mm	36pcs
I	 12 Slat 1477mm	2pcs	9	 CSK Screw 50mm	8pcs
J	 Support Legs 30 x 30 x 305mm	3pcs	10	 Spring Washers	8pcs
K	 Footboard Front Panel	1pc	11	 Flat Washers	16pcs
L	 Footboard Back Panel	1pc	12	 CSK Screw 25mm	1pc
M	 Footboard Bottom Panel	1pc	13	 Roller	4pcs
N	 Drawer Side Panel (L) (R)	2pcs	14	 Power Nail 6/8	24pcs
O	 Bottom Panel Big Support Wood	2pcs			
P	 Bottom Panel Small Support Wood	2pcs			

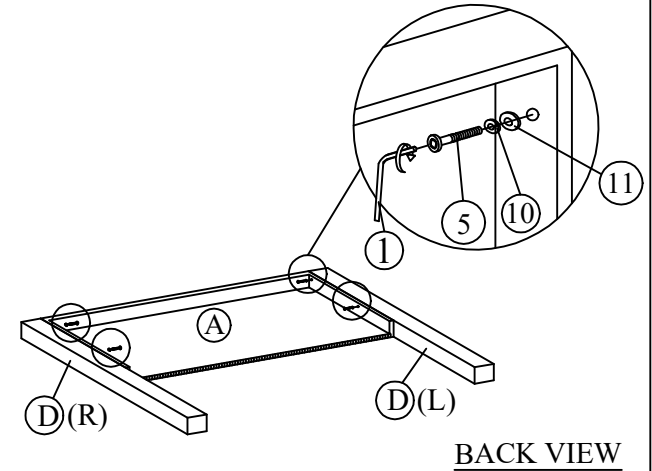
Step 1 : Attach the footboard legs (E) to the footboard (B).



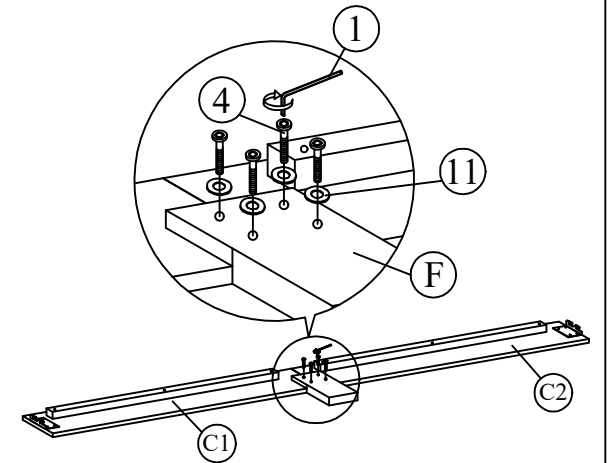
Step 3 : Attach the JCBB Bolt (3) to the headboard legs and footboard legs.



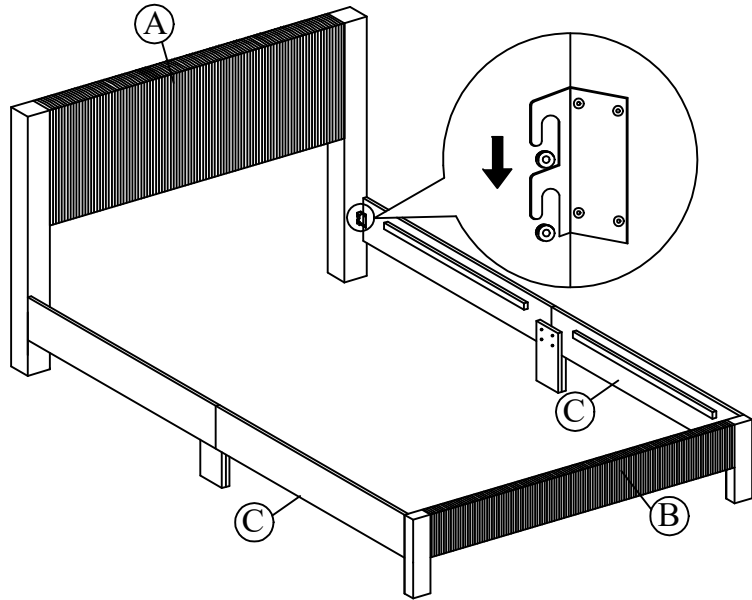
Step 2 : Attach the headboard legs (D) to the headboard (A).



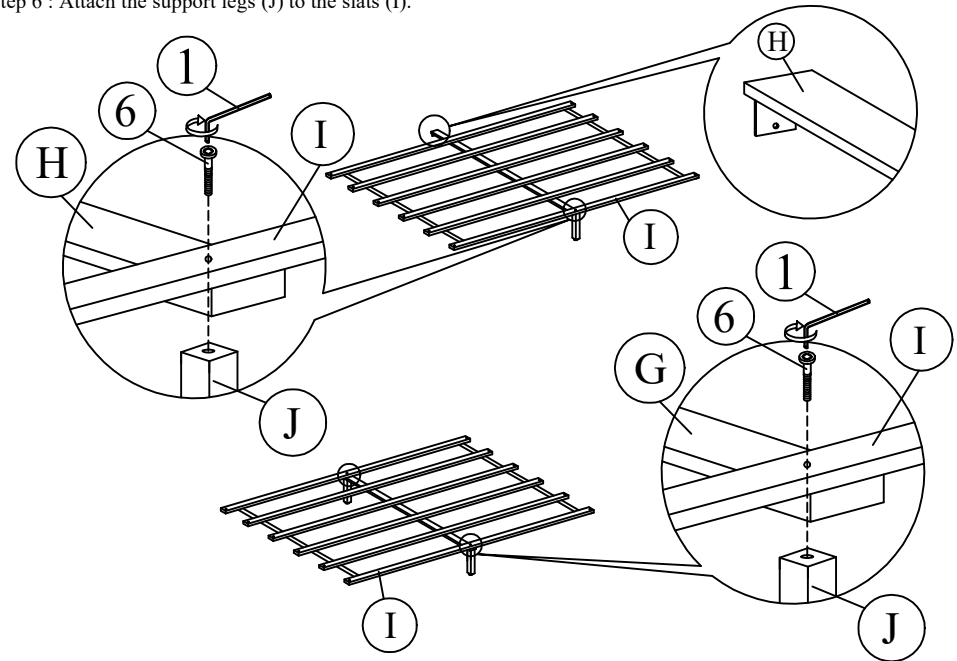
Step 4 : Attach the side rail leg (F) to the side rail (C).



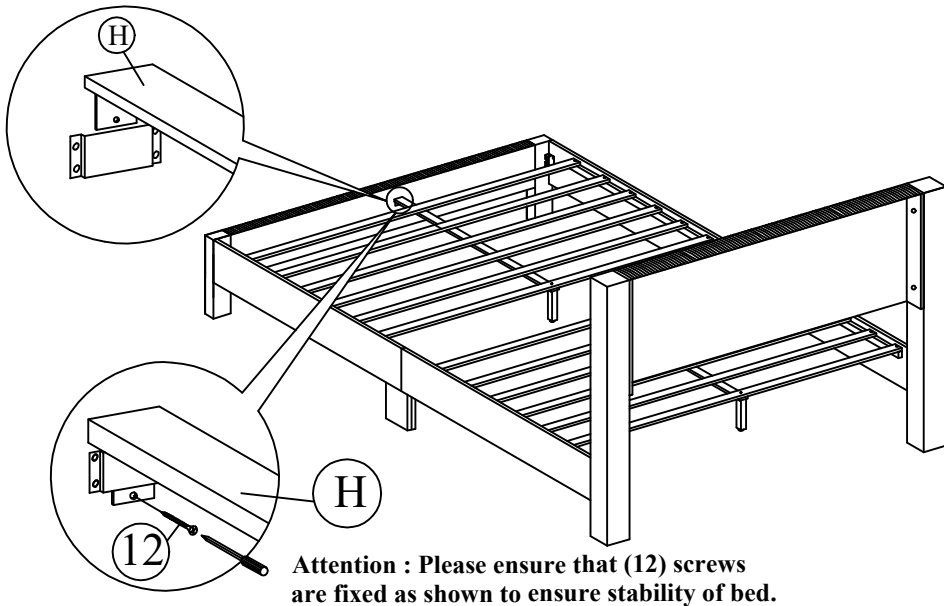
Step 5 : Attach side rail (C) to headboard (A) and footboard (B) by pushing the bracket down to fit it.



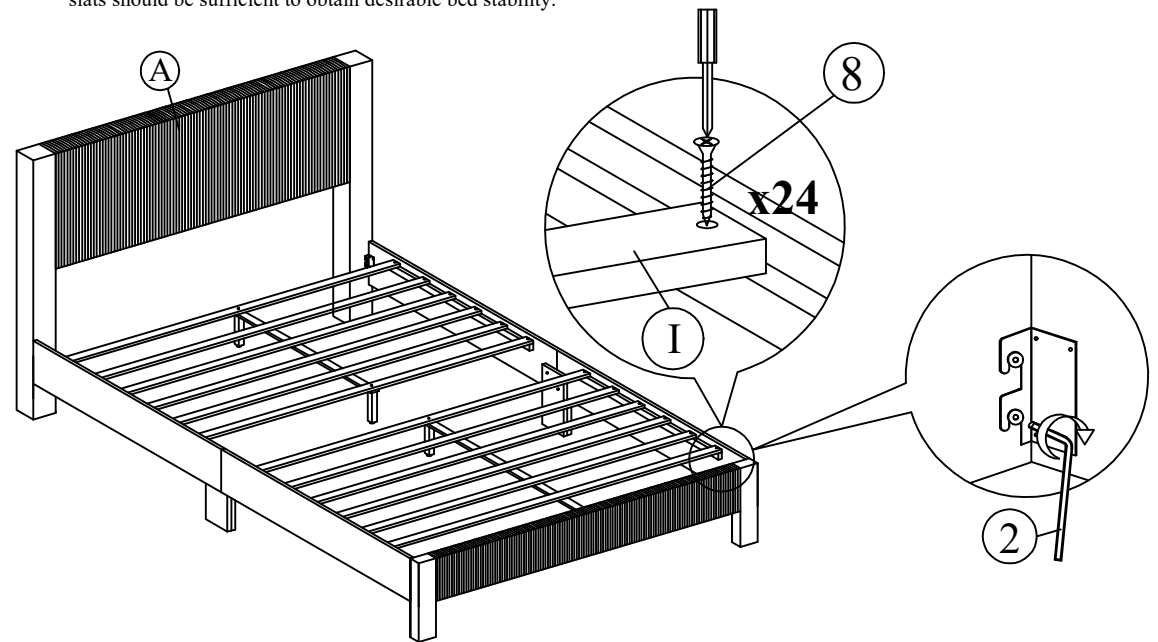
Step 6 : Attach the support legs (J) to the slats (I).



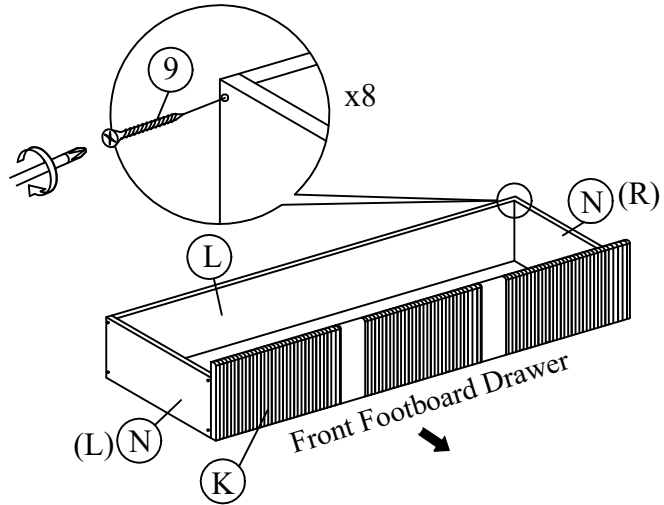
Step 7 : Slide the center rail (H) to the footboard (B). Tighten screws (12) using screw driver (not included) to the footboard (B).



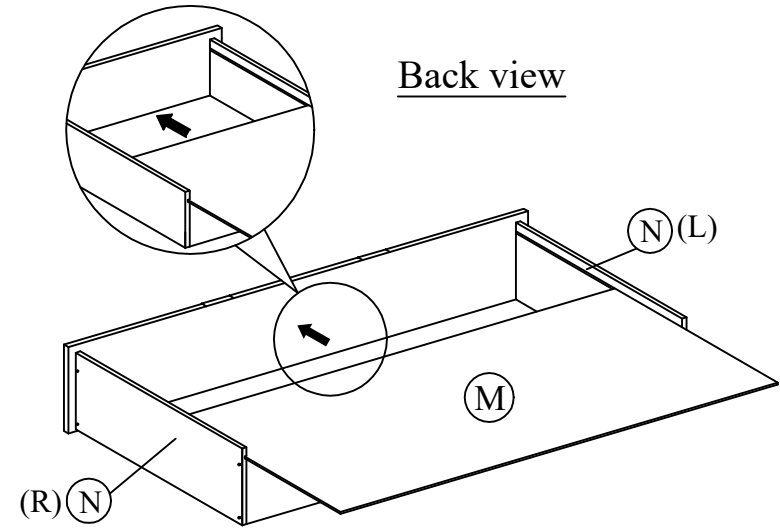
Step 8 : Tighten the 4 Corner with Allen Key (2). Install the bed slats to side rail. Tighten the slats with CSK screw. The distance of the slats should be sufficient to obtain desirable bed stability.



Step 9 : Attach the Drawer Side Panel (N) to the Front Footboard Panel (K) and Back Footboard Panel (L).

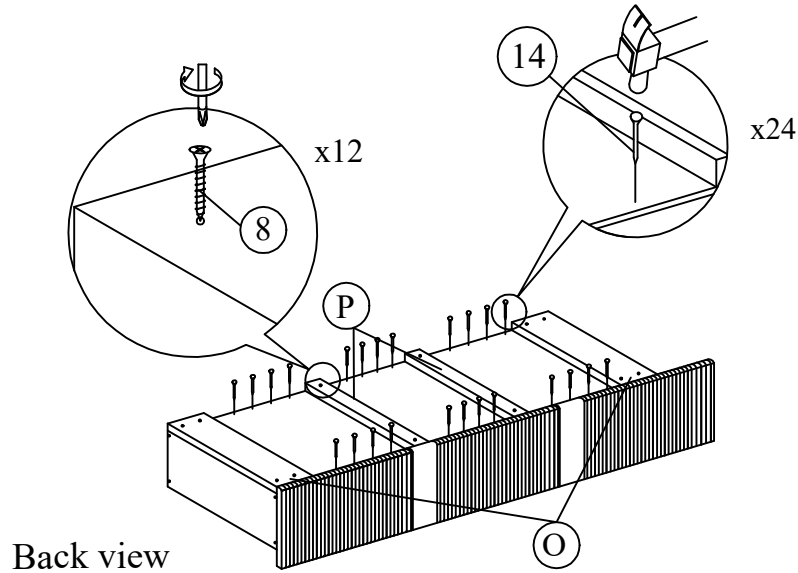


Step 10 : Attach the Footboard Bottom Panel (M) to the Drawer Side Panel (N).



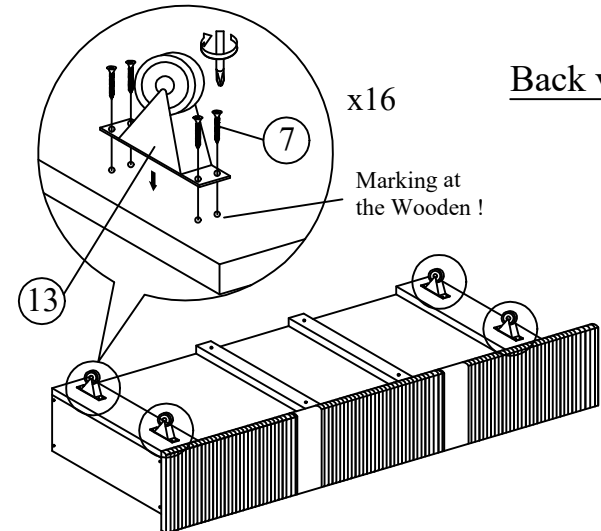
Back view

Step 11 : Attach the Bottom Panel Big Support Wood (O) and Bottom Panel Small Support Wood (P) to the Footboard Bottom Panel (M) . Attach the bottom panel with Nail (14) using the hammer (not included)



Back view

Step 12 : Attach the Roller (13) to the Bottom Panel Big Support Wood (O).



Back view

Step 13 : Attach Drawer to Footboard (B).

