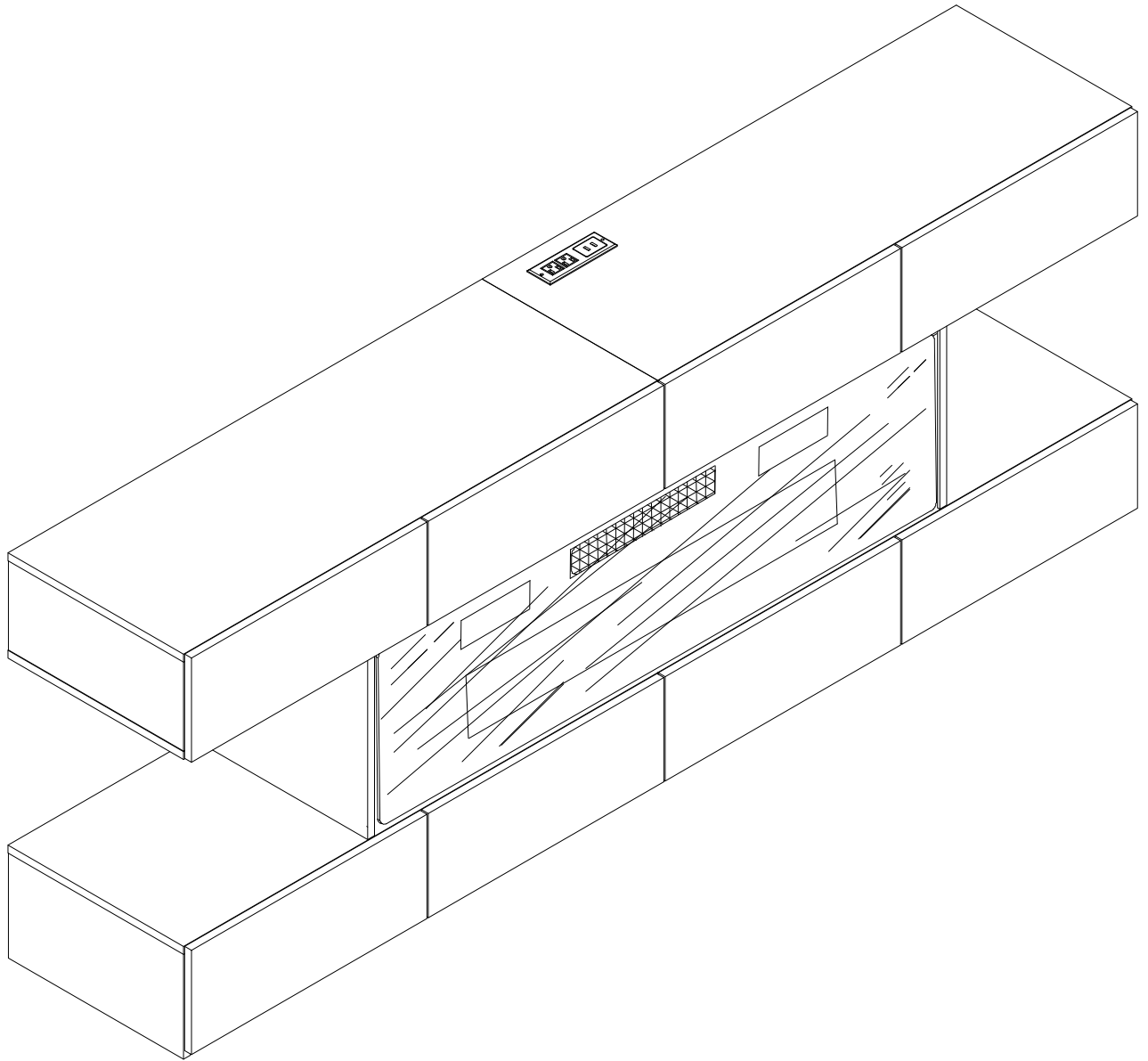
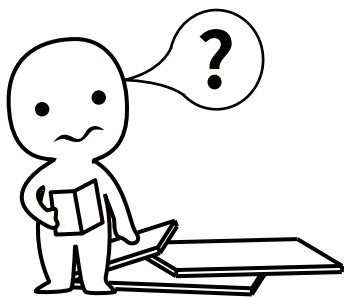


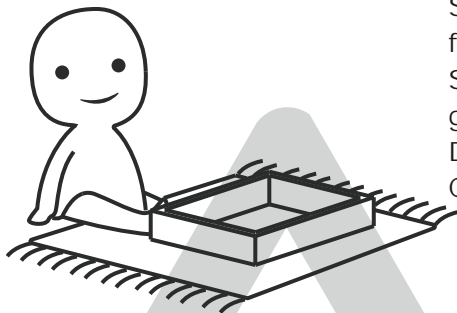
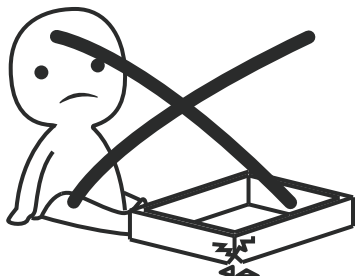
TV Cabinet





IMPORTANT INFORMATION!

Please read the entire manual before starting to assemble and/or using this product, follow the manual thoroughly and keep it for further reference.

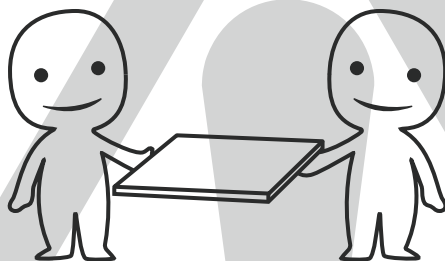


SAFETY TIPS:

Static charge may cause dust on foam- clean with a dry or damp cloth. Small foam strands may be present - handle gently and dispose of properly. Do not burn or incinerate. Check local recycling guidelines.

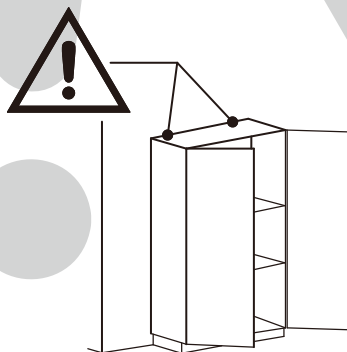
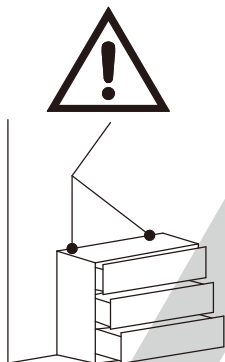
AVOID SCRATCHES!

In order to avoid scratching this furniture should be assembled on a soft layer- could be a rug.



IMPROVE EFFICIENCY !

Try to find a partner to install with you, which can speed up the installation efficiency and shorten the time.



ANTI-TOPPLE WARNING !

Overtipped furniture can cause serious or fatal crush injuries. To prevent tipping over, be sure to use the wall attachment, if not included with this product. Please purchase the wall attachment that fit your wall. If unsure, seek professional advice. Please read and follow each step of the instructions carefully.

IMPORTANT !

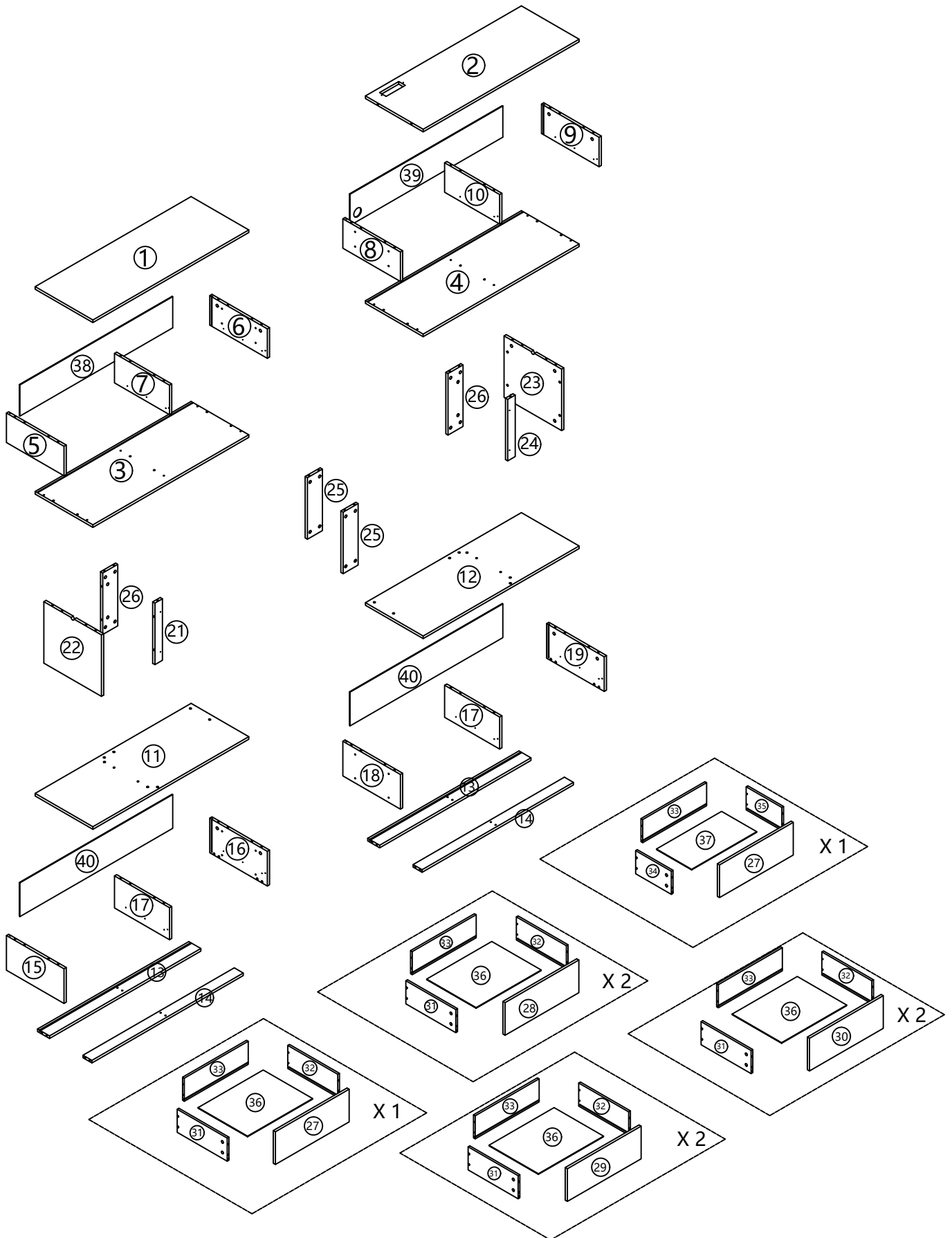
It is important that any product which is assembled using any kind of screw is re-tightened 2 weeks after assembly, and once every 3 months - in order to assure stability throughout the lifespan of the product.

For regular maintenance and cleaning of the product, for the frame, please use a rag dipped in neutral detergent to fully wipe it, and then dry it with a clean rag. For glass materials, wipe with a rag dampened with water glass cleaner, and then dry with a dry rag.

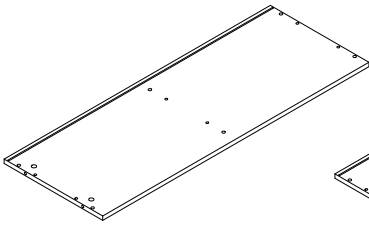
Please use proper tools for assembly. Using an electric screwdriver can accelerate the assembly speed but please do not overtighten the screws.

Peel off the film before use!

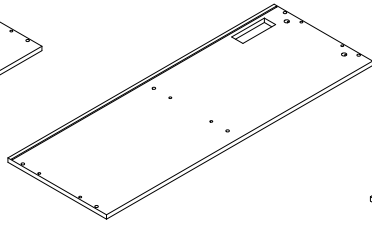
Board Identification



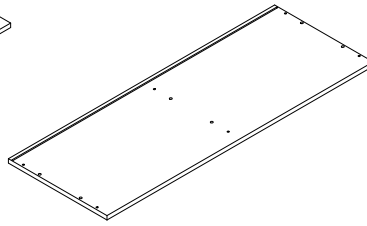
PARTS LIST



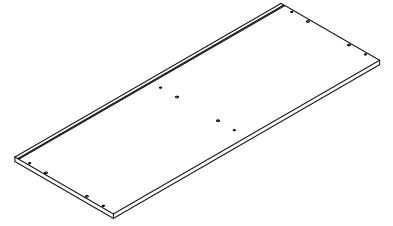
1



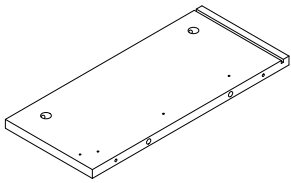
2



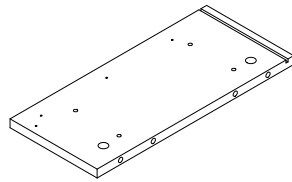
3



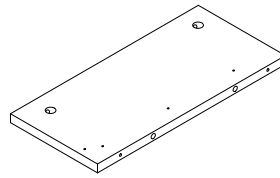
4



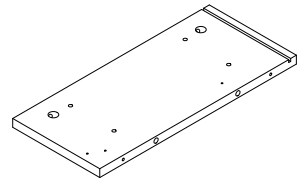
5



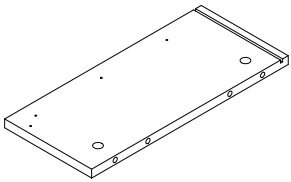
6



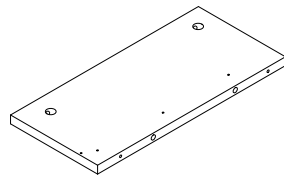
7



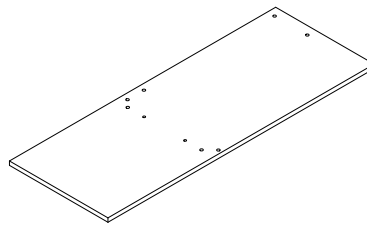
8



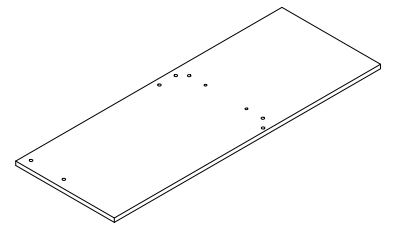
9



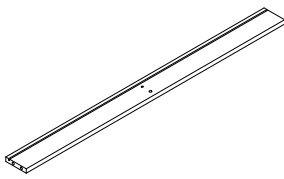
10



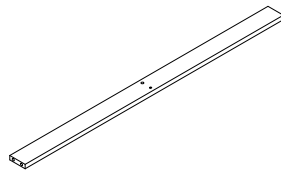
11



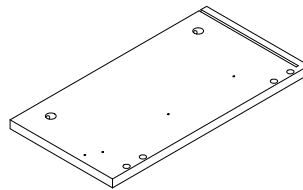
12



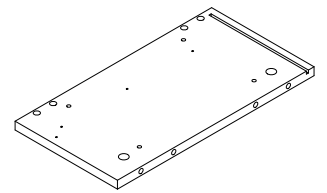
13 X 2



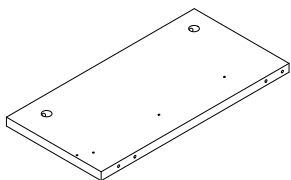
14 X 2



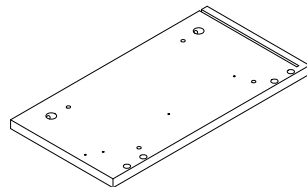
15



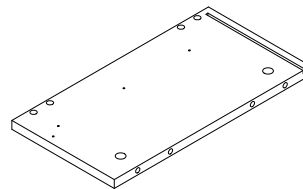
16



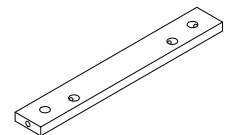
17 X 2



18

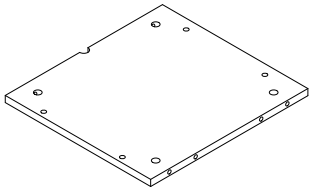


19

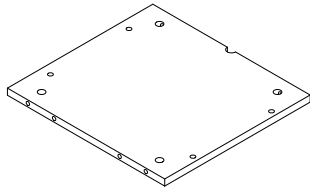


21

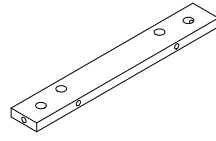
PARTS LIST



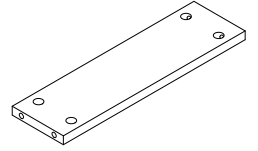
22



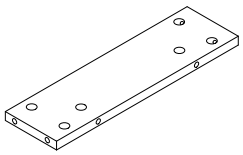
23



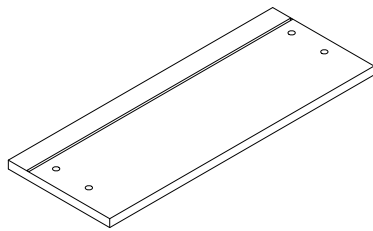
24



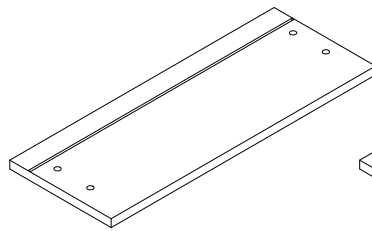
25 X 2



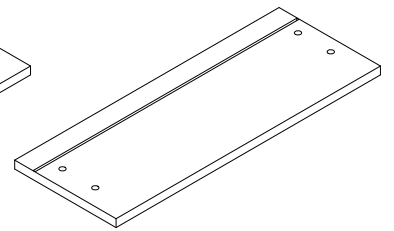
26 X 2



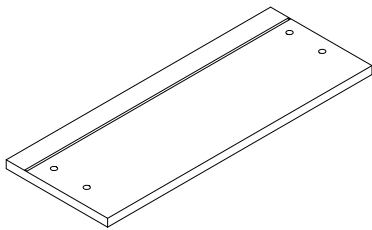
27 X 2



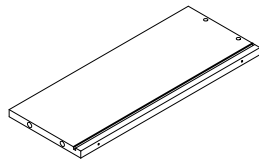
28 X 2



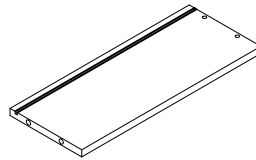
29 X 2



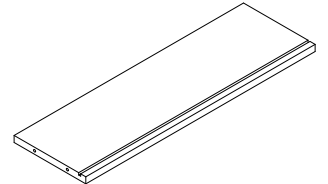
30 X 2



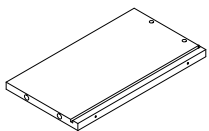
31 X 7



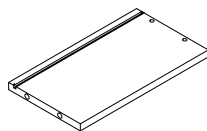
32 X 7



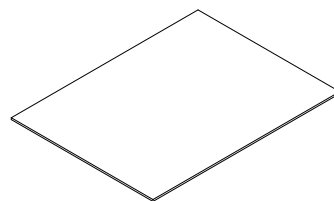
33 X 8



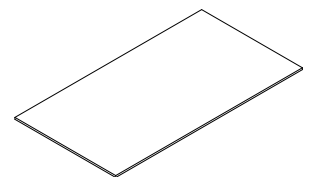
34



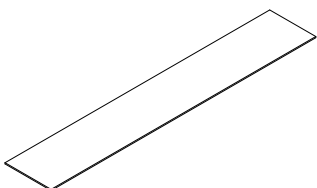
35



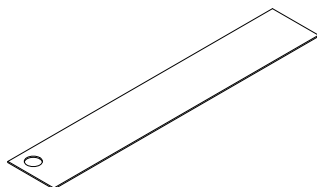
36 X 7



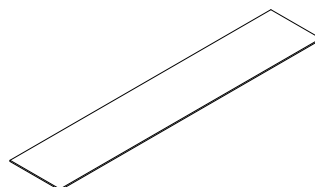
37



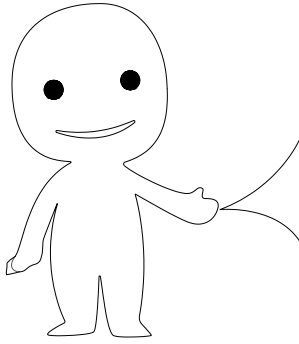
38



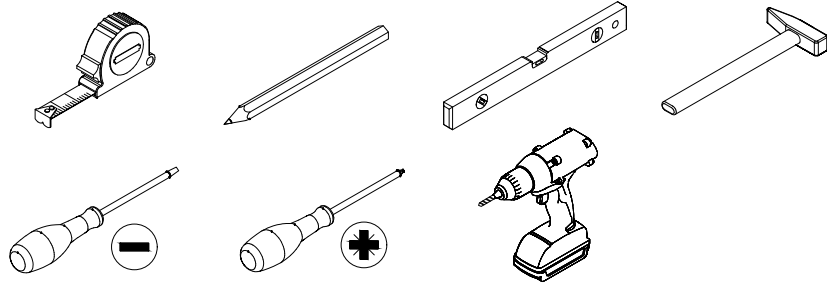
39



40 X 2



Please prepare the following tools



<p>A x 112</p> <p>∅ 15 x 9.5mm</p>	<p>B x 108</p> <p>∅ 7 x 40mm</p>	<p>C x 44</p> <p>∅ 8 x 30mm</p>	<p>D x 110</p> <p>M3.5 x 12mm</p>
------------------------------------	----------------------------------	---------------------------------	-----------------------------------

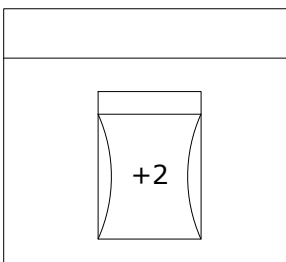
<p>E X 20</p> <p>M5 x 40mm</p>	<p>F X 32</p> <p>M4 x 40mm</p>	<p>G X 2</p>	<p>H X 8</p> <p>H1 H2</p>
--------------------------------	--------------------------------	--------------	---------------------------

<p>J x 4</p> <p>M4 x 14mm</p>	<p>K X 24</p> <p>K1 K2</p>	<p>L X 32</p>	<p>M x 12</p>
-------------------------------	----------------------------	---------------	---------------

<p>N x 2</p> <p>N-1 N-2 N-3 N-4</p>	<p>P x 1</p>	<p>Q x 1</p> <p>Q1 Q2 Q3 Q4 Q5</p>
---	--------------	------------------------------------

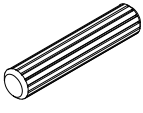
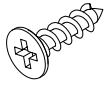
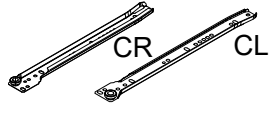
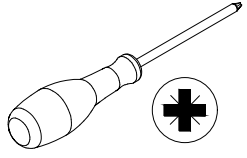
R X 7			
L=350mm			
CL	DL	CR	DR

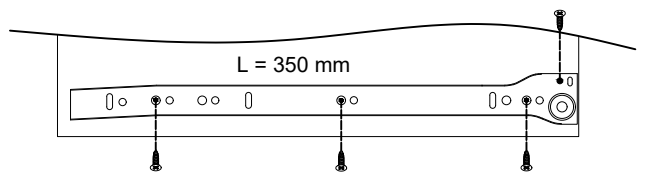
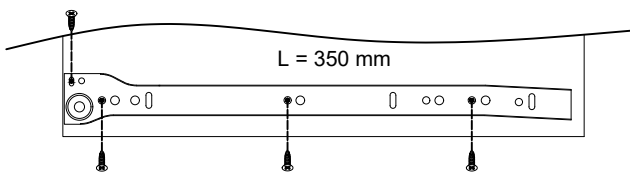
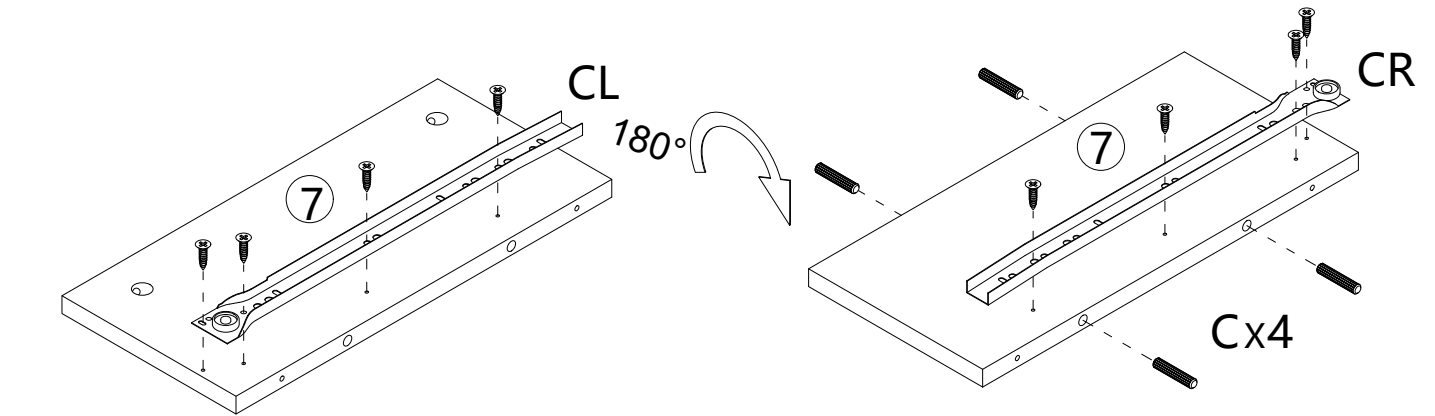
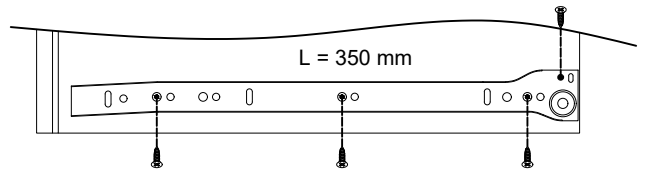
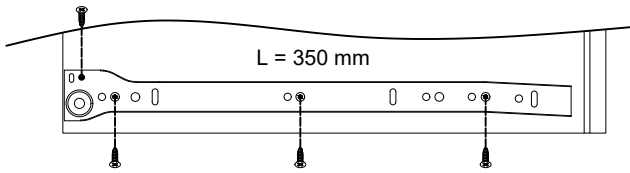
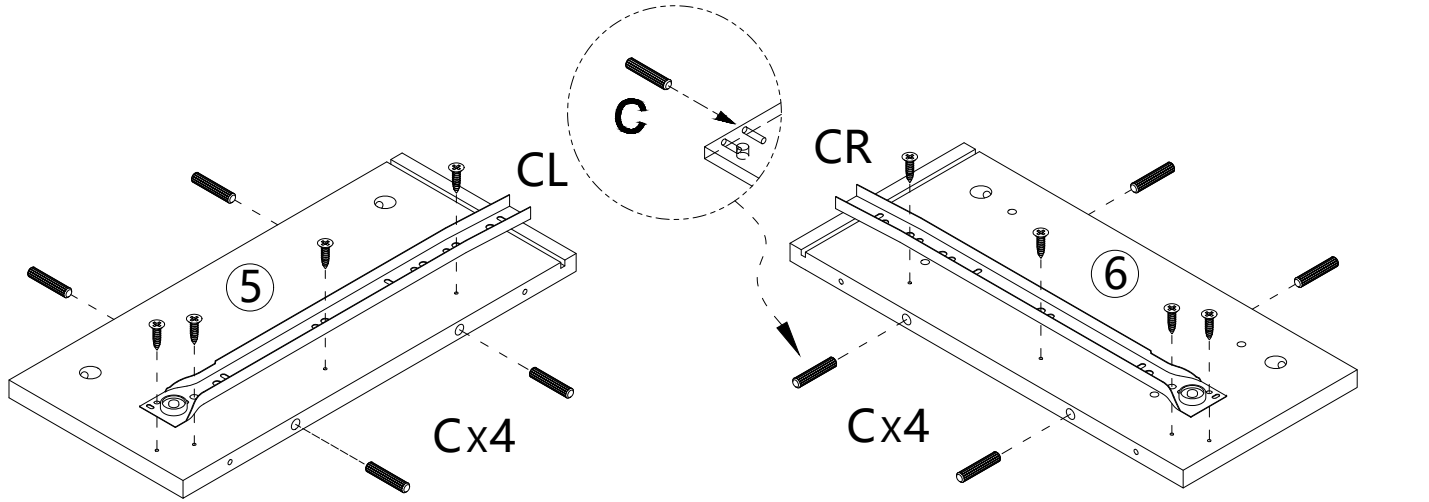
S X 1			
L=250mm			
CL	DL	CR	DR



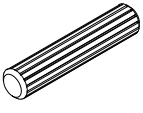
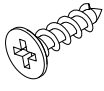
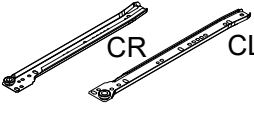
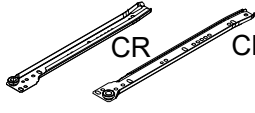
Tips: The number after "+" represents the spare hardware.

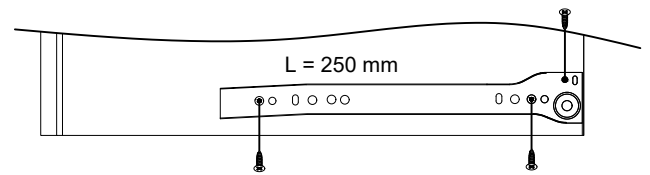
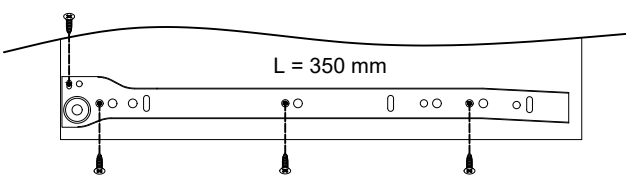
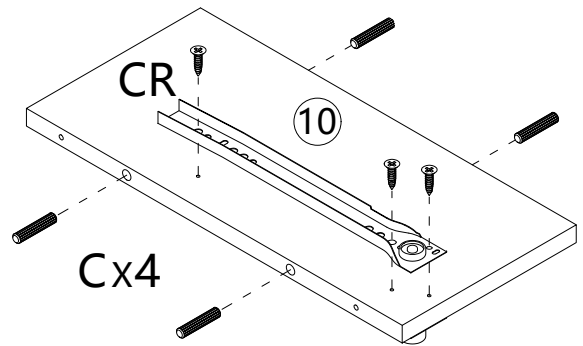
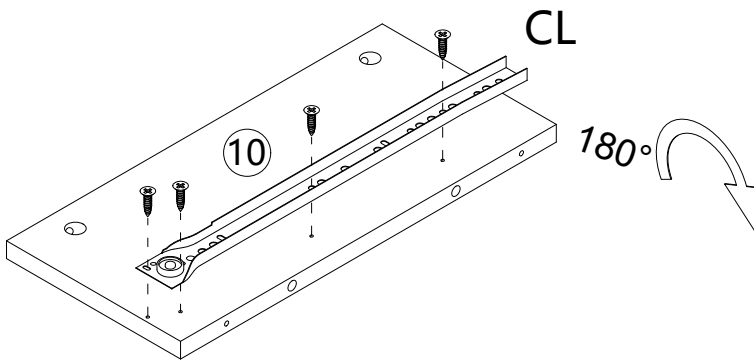
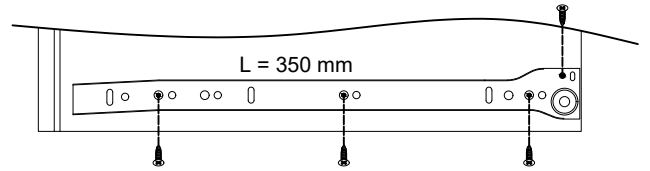
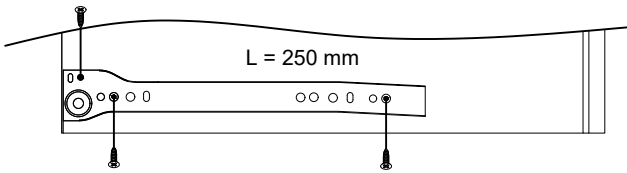
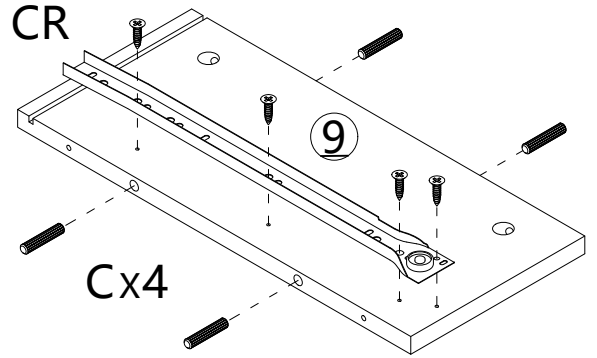
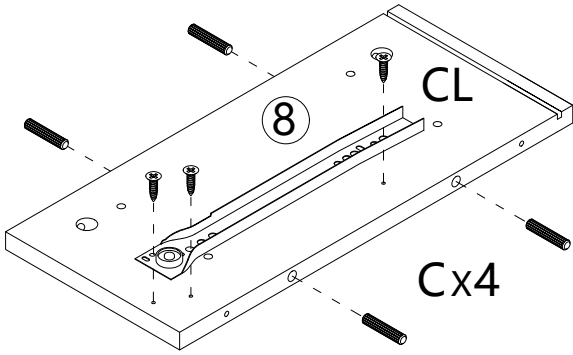
1

<p>C x 12</p>  <p>Ø8 x 30mm</p>	<p>D x 16</p>  <p>M 3.5 x 12 mm</p>	<p>R x 2</p>  <p>CR CL</p> <p>L = 350 mm</p>	
--	--	---	---



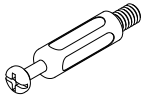
2

<p>C x 12</p>  <p>Ø8 x 30mm</p>	<p>D x 14</p>  <p>M 3.5 x 12 mm</p>	<p>R x 1</p>  <p>CR CL</p> <p>L = 350 mm</p>	<p>S x 1</p>  <p>CR CL</p> <p>L = 250 mm</p>	
--	--	---	--	--

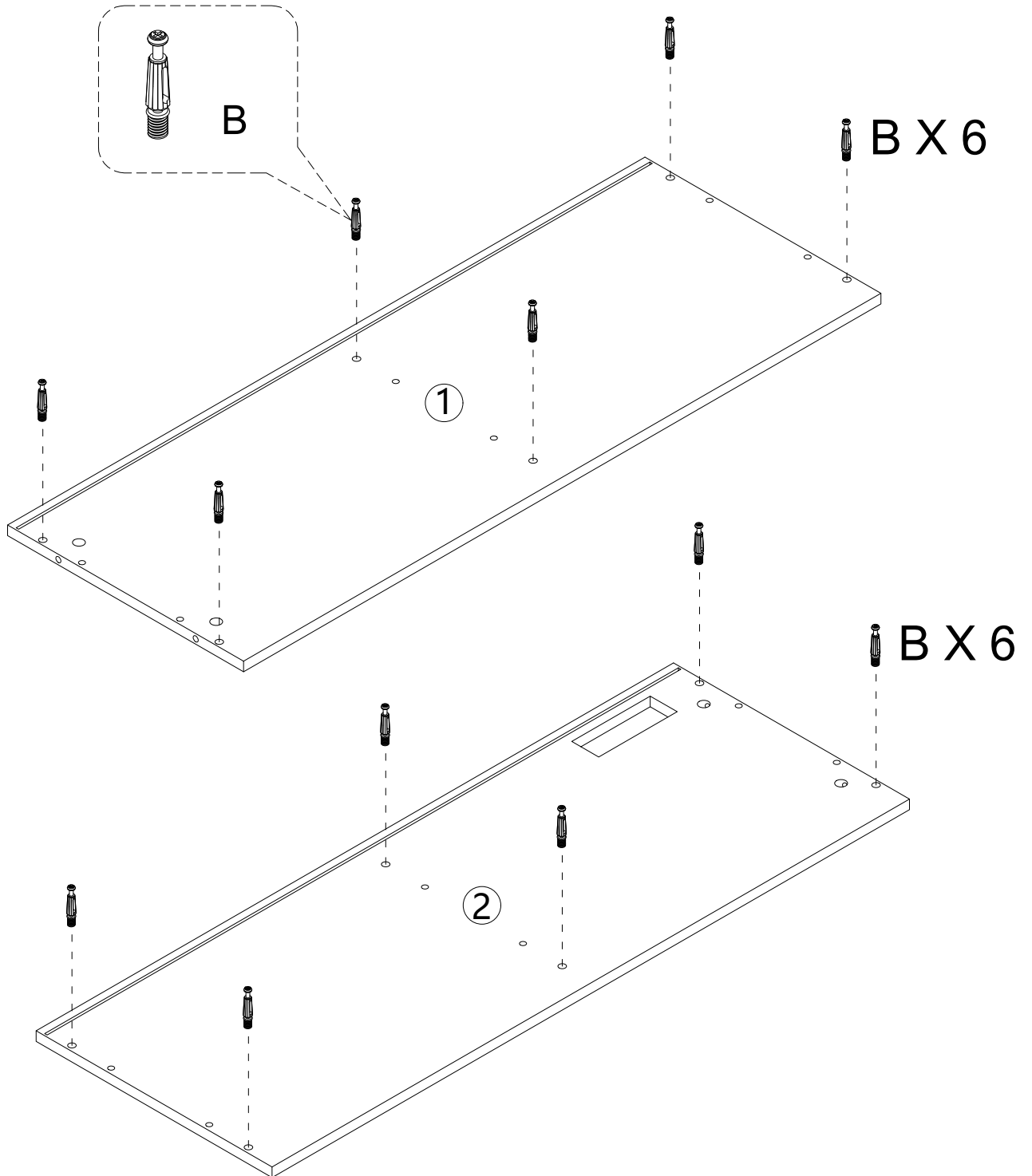
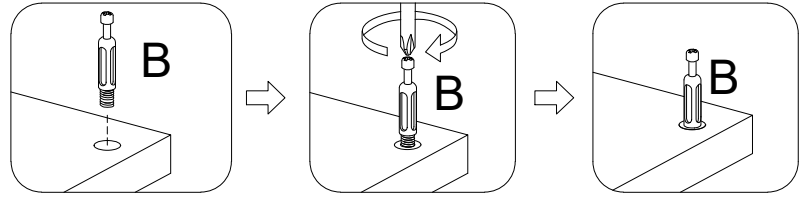
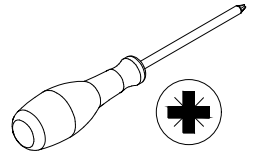


3

B x 12



∅ 7 x 40mm

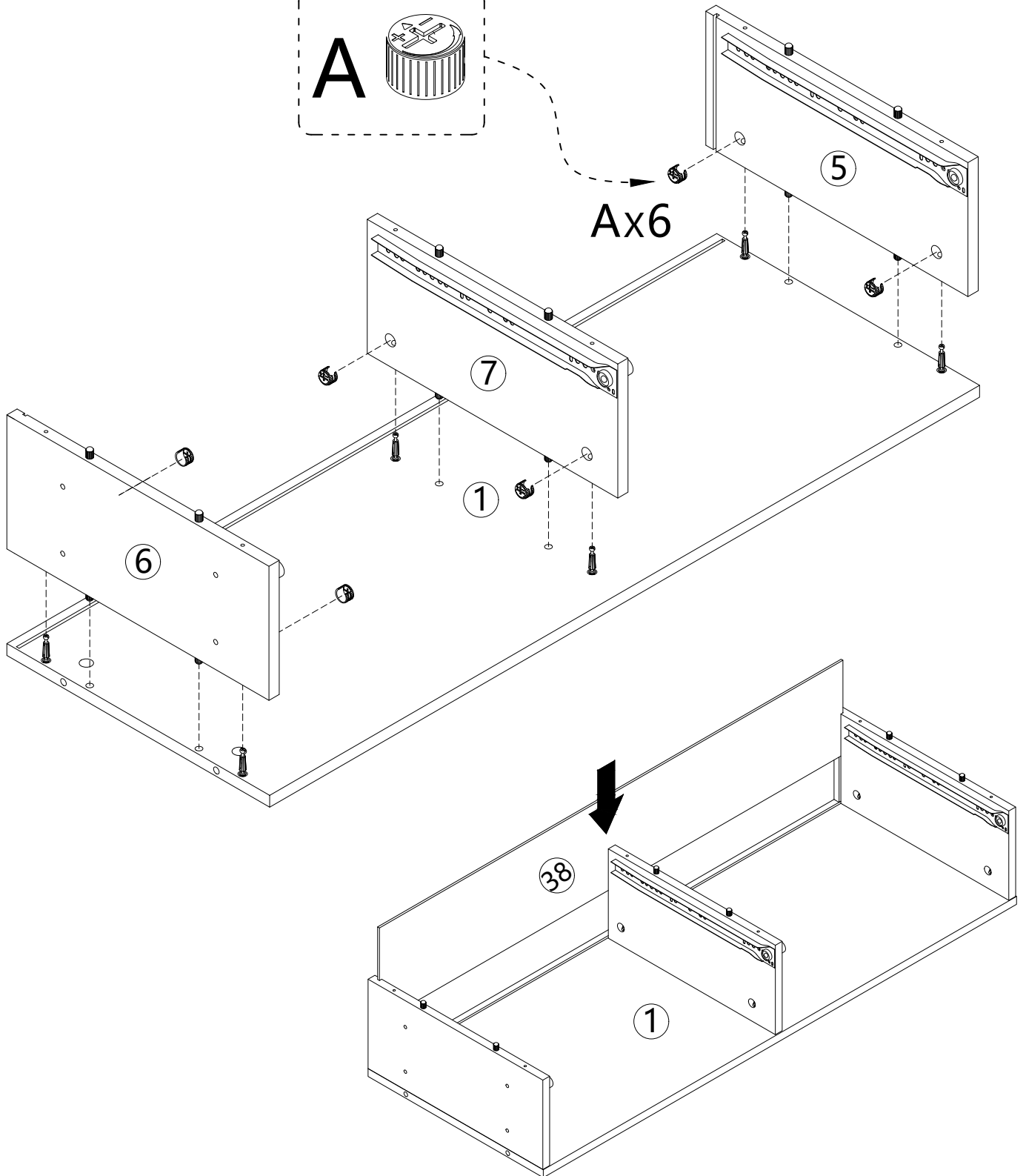
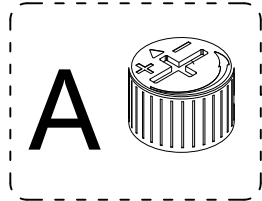
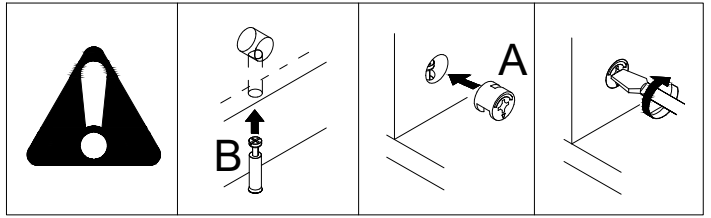
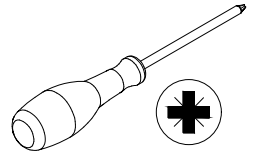


4

A x 6

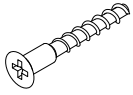


∅ 15 x 9.5mm

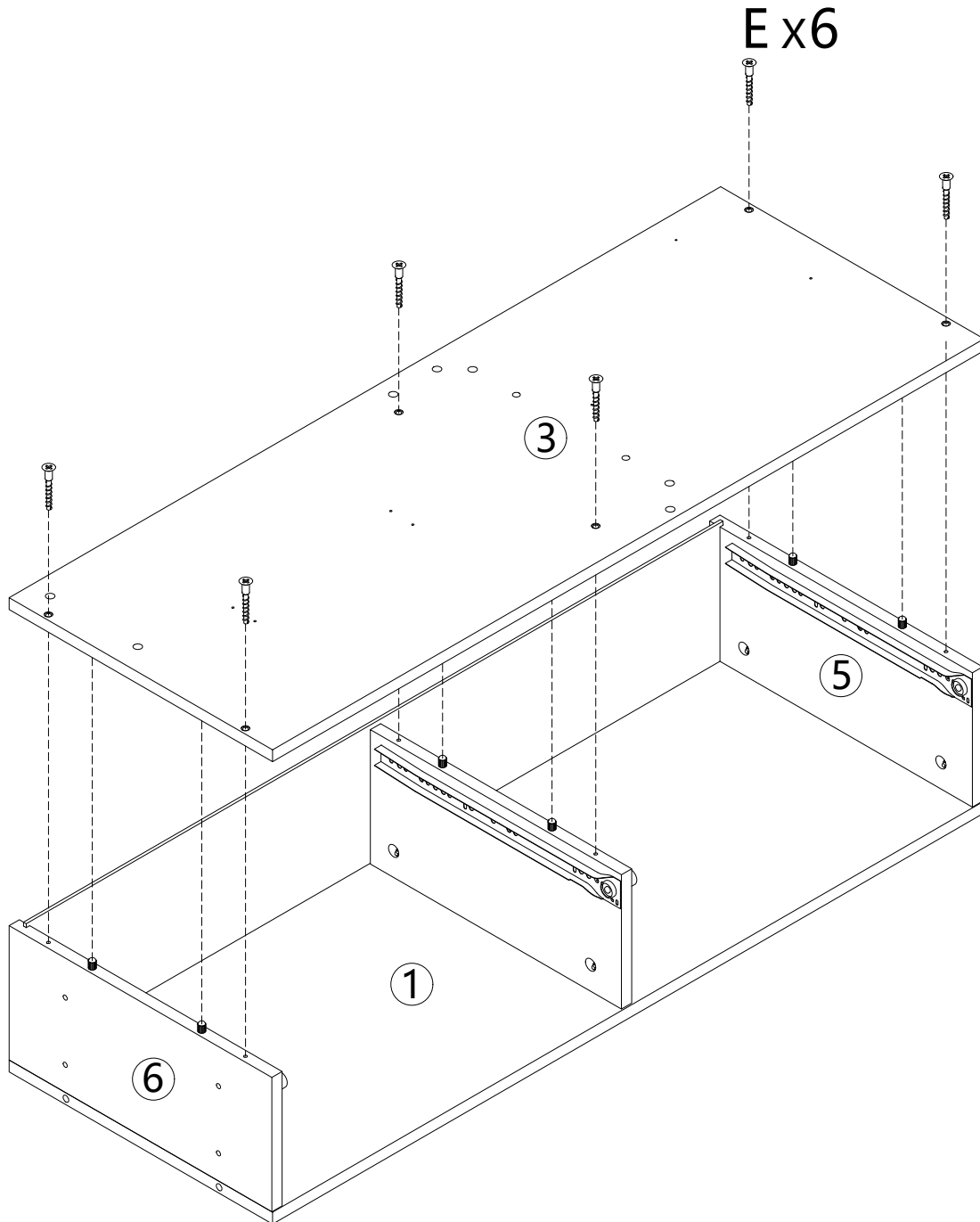
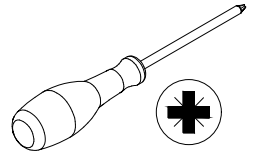


5


E x 6

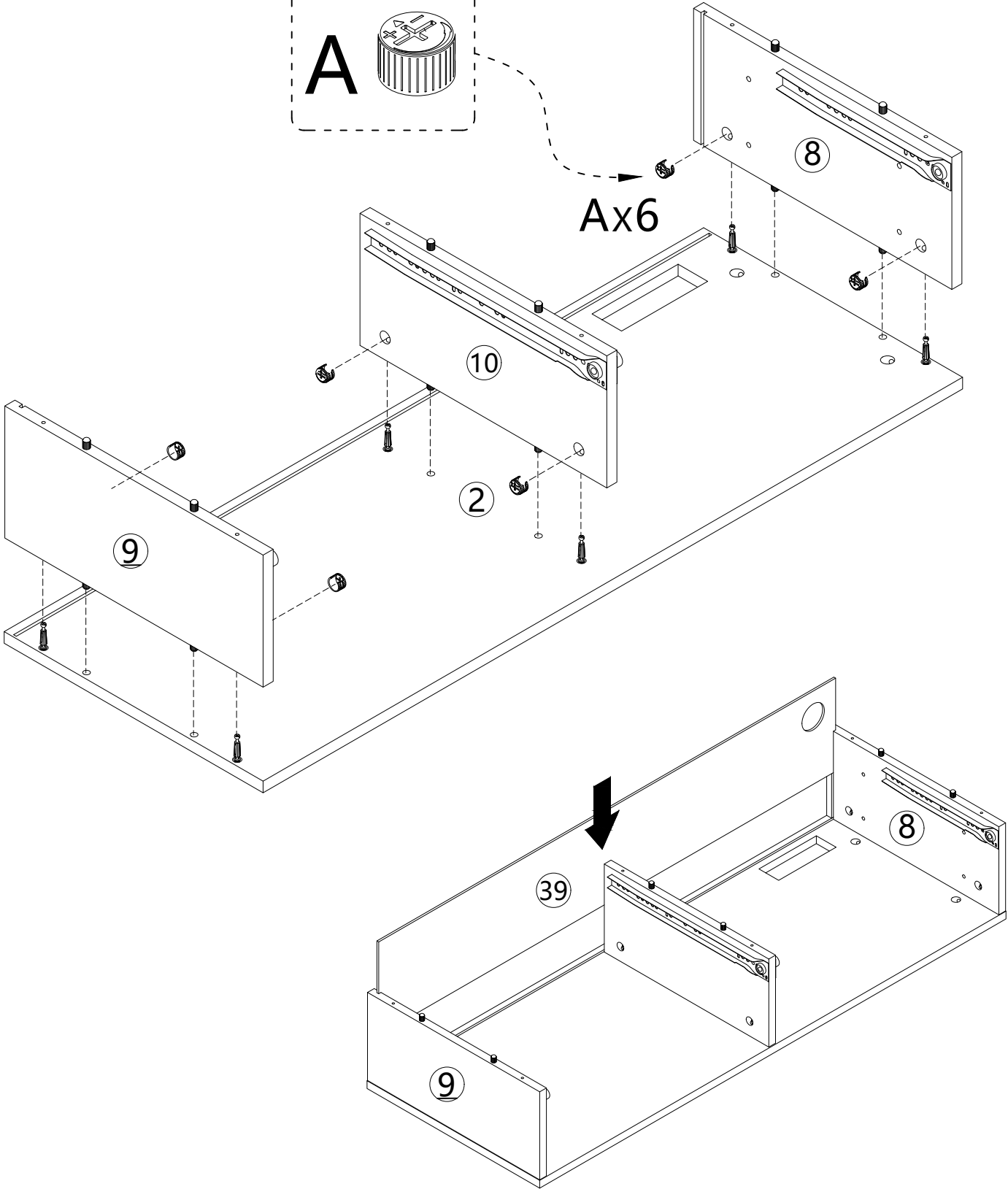
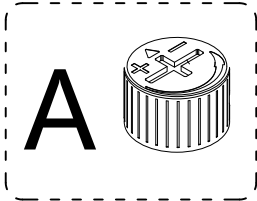
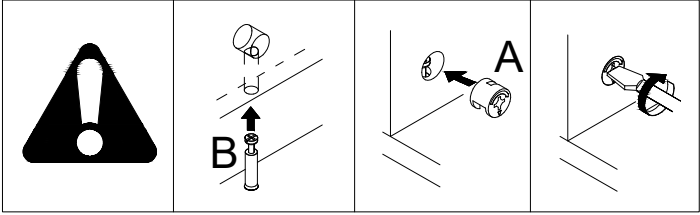
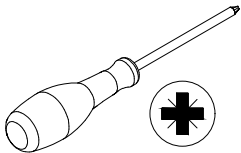


M 5 x 40 mm



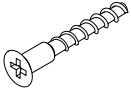
6

A x 6

Ø 15 x 9.5mm

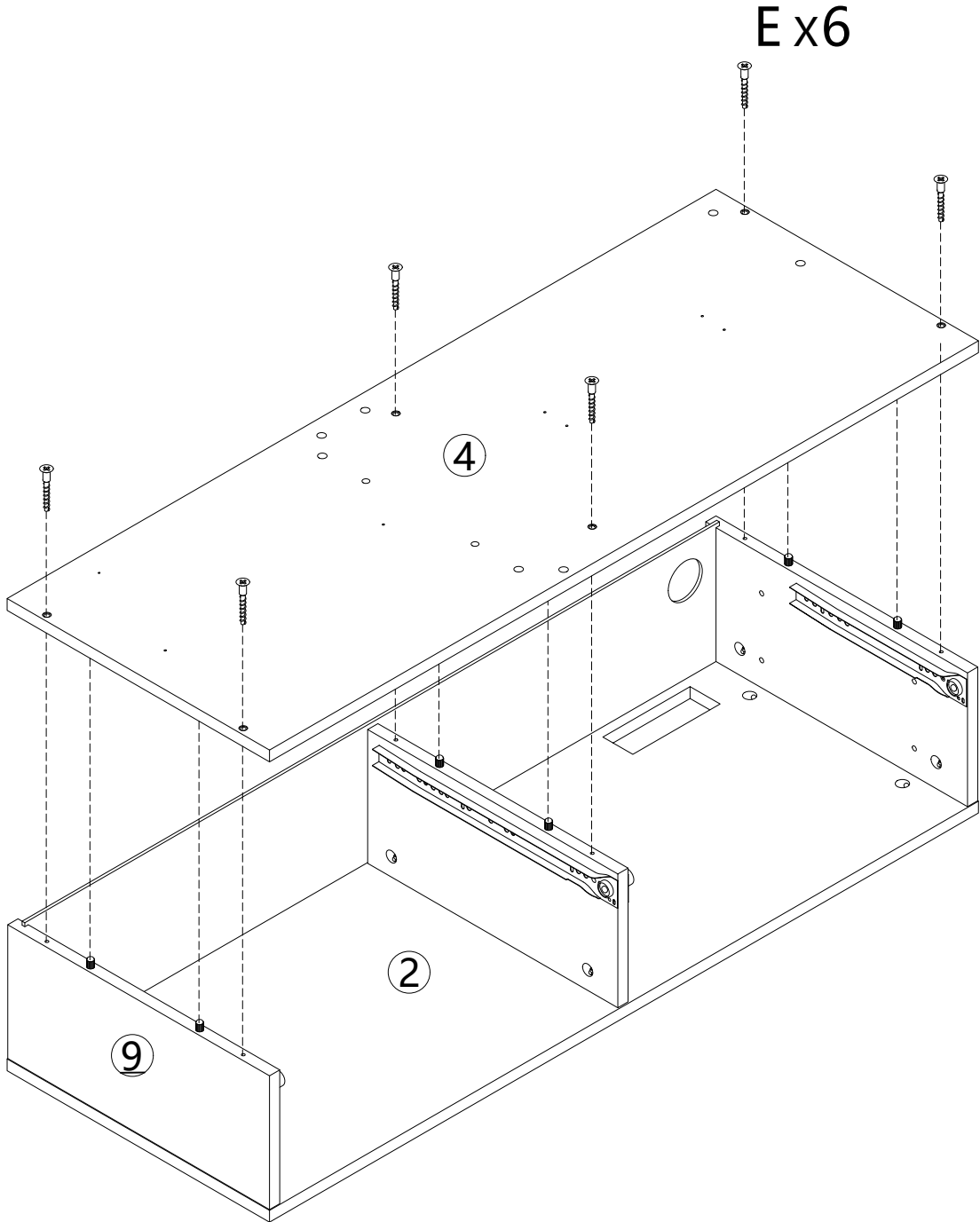
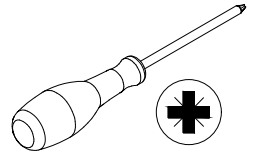


7


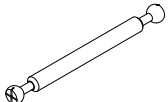

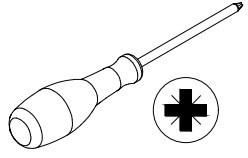
E x 6

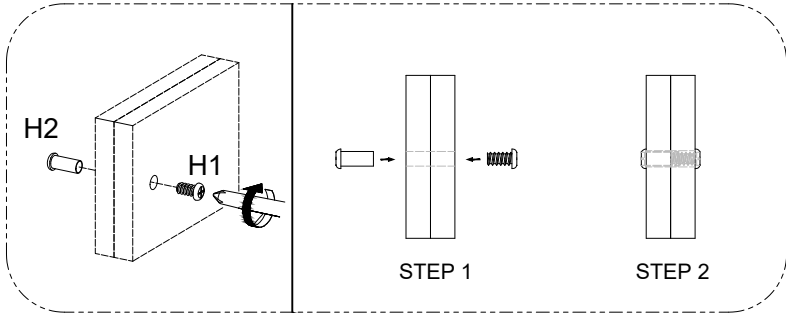


M 5 x 40 mm



8

<p>A x 4</p>  <p>∅ 15 x 9.5mm</p>	<p>G x 2</p> 	<p>H x 4</p>  <p>H2</p> <p>H1</p>	
--	--	--	---



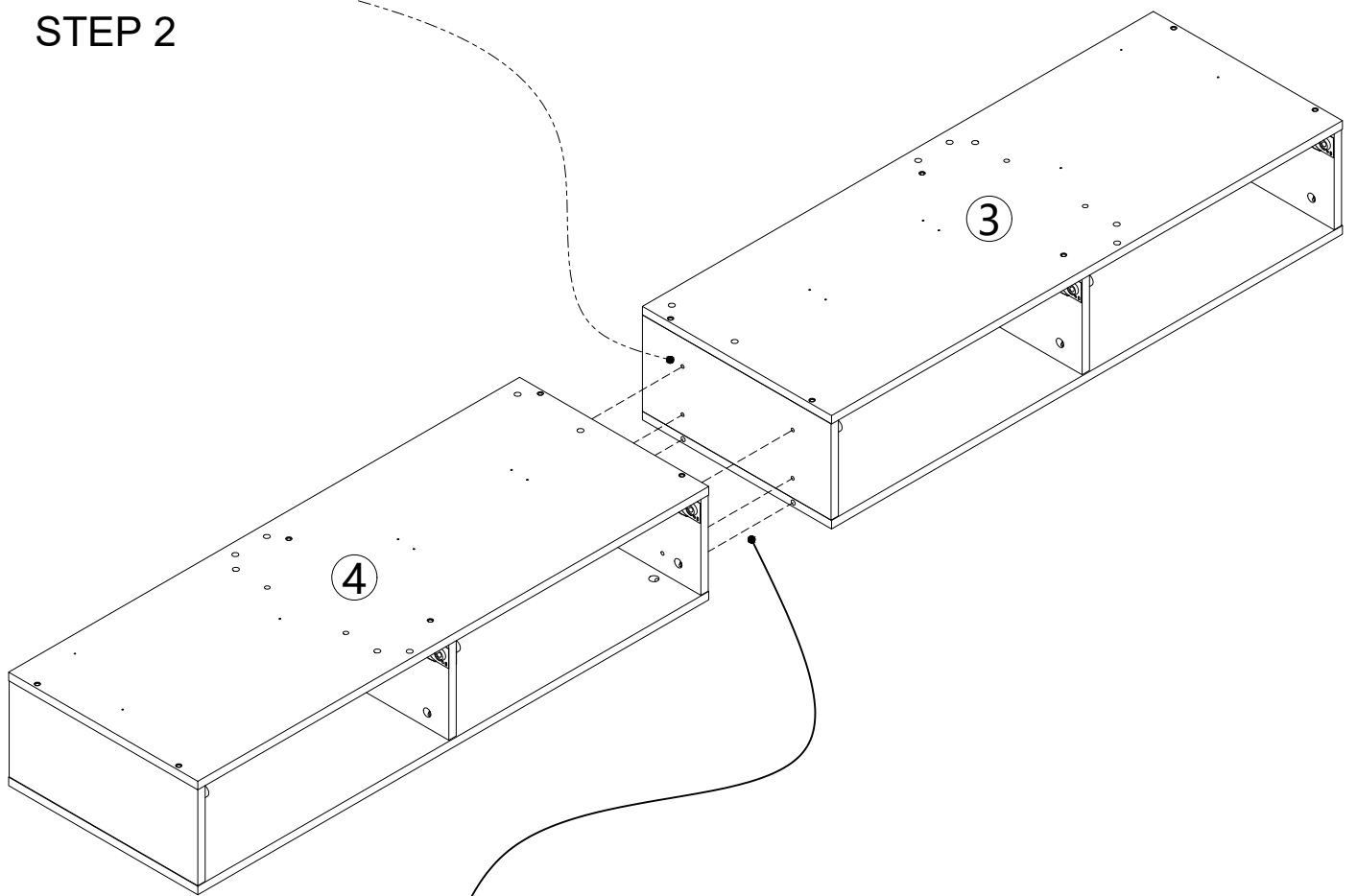
H2

H1

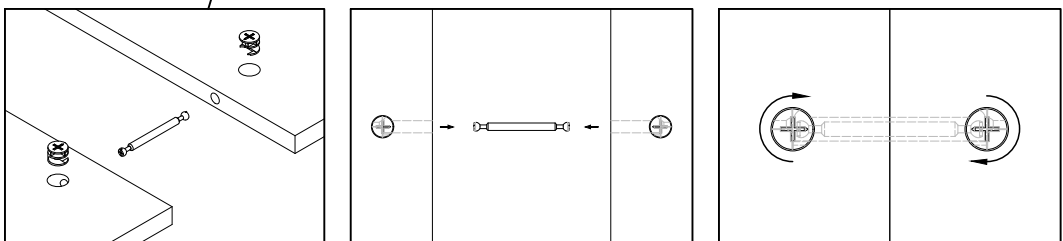
STEP 1

STEP 2

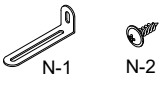
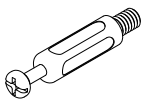
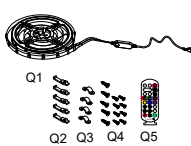
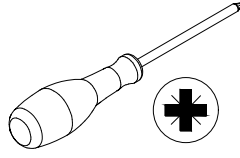
STEP 2

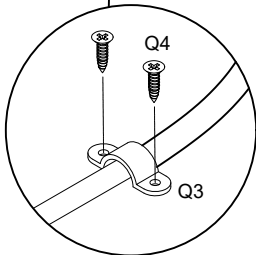
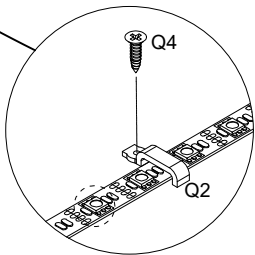
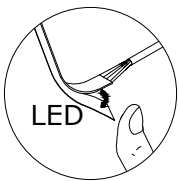
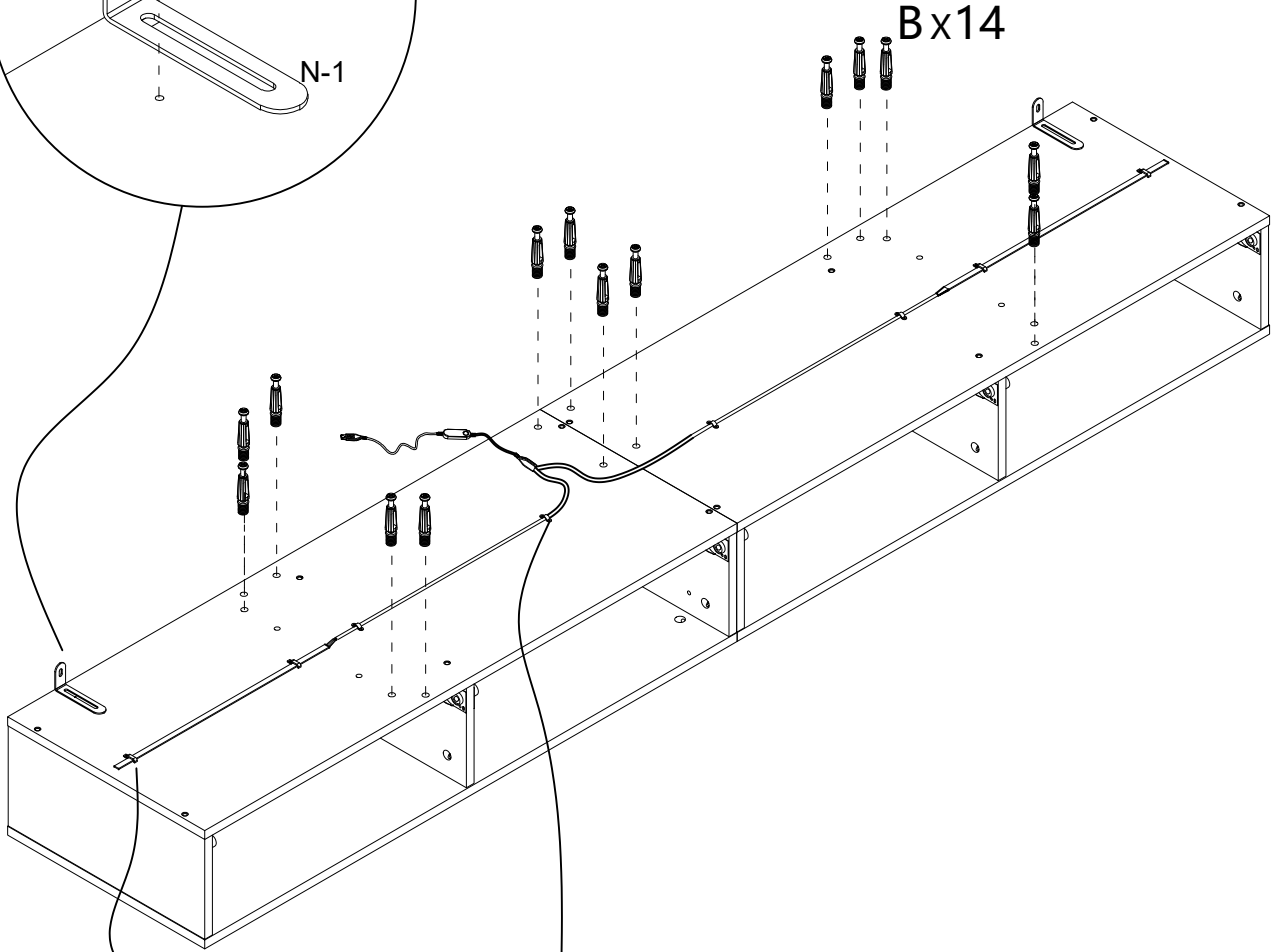
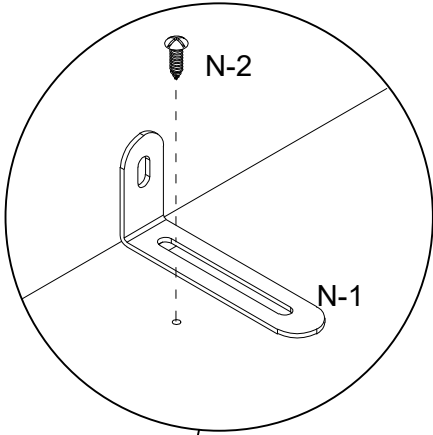


STEP 1




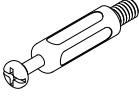
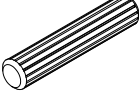
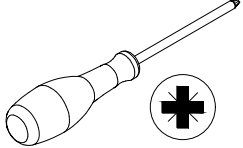
9

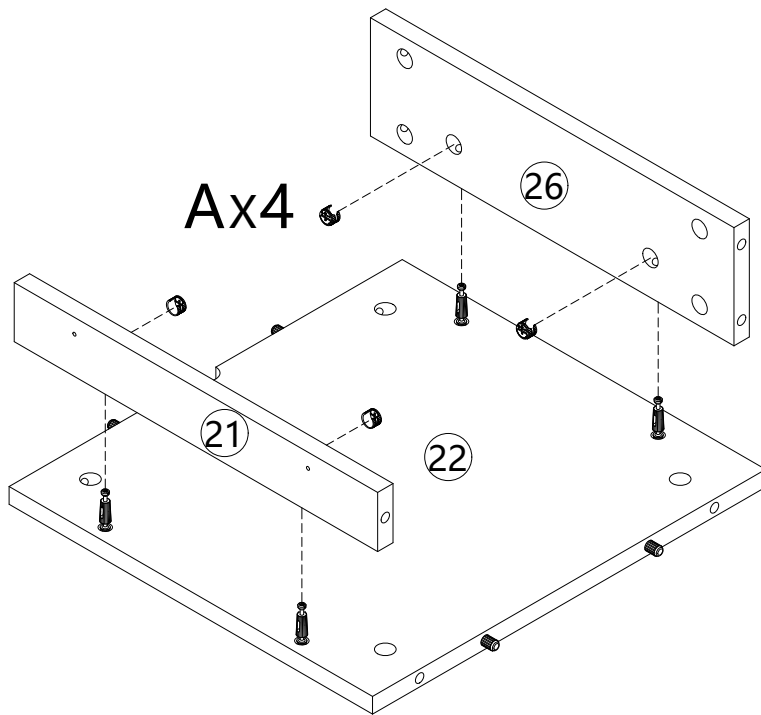
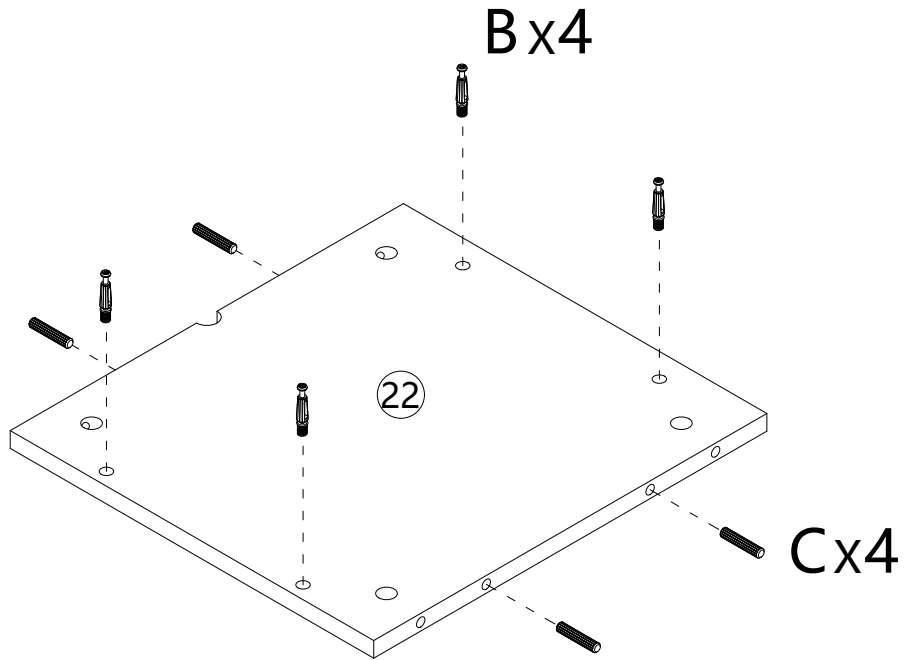
<p>N x 2</p>  <p>N-1 N-2</p>	<p>B x 14</p>  <p>Ø7 x 40mm</p>	<p>Q x 1</p>  <p>Q1 Q2 Q3 Q4 Q5</p>	
---	--	--	---




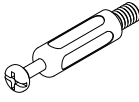
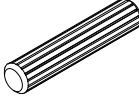
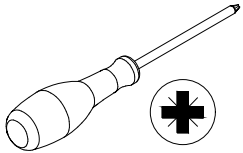

Tear off the back tape of the light strip and stick it on

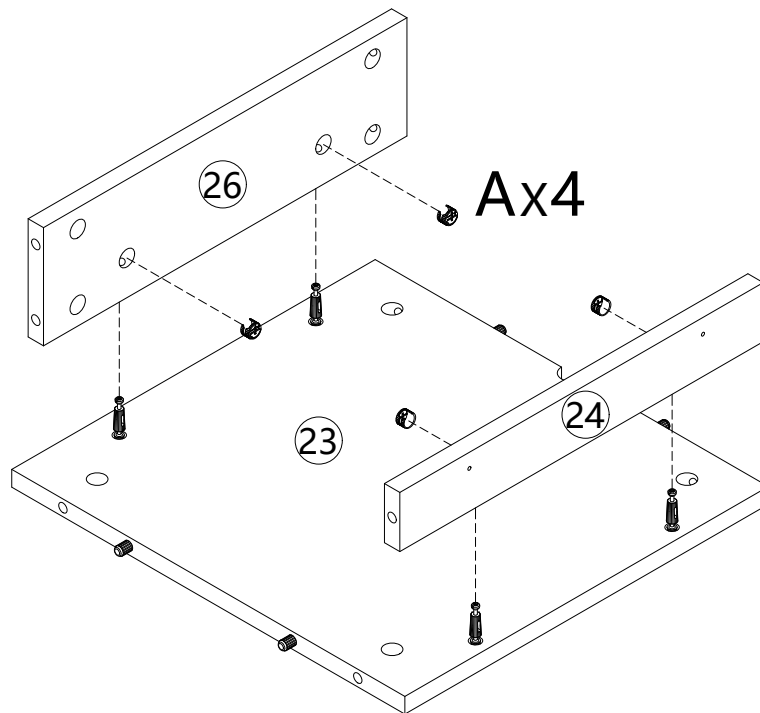
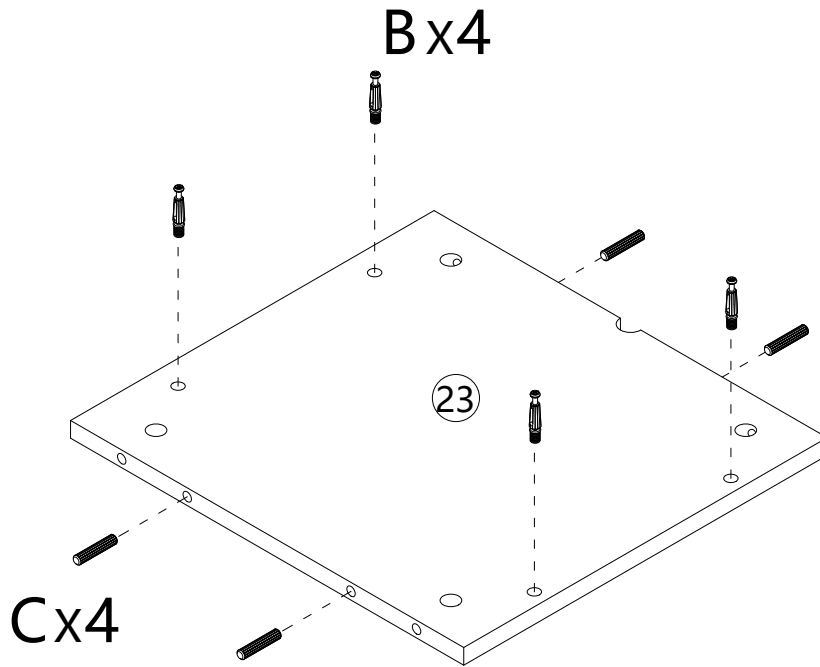
10

<p>A x 4</p>  <p>Ø 15 x 9.5mm</p>	<p>B x 4</p>  <p>Ø 7 x 40mm</p>	<p>C x 4</p>  <p>Ø 8 x 30mm</p>	
--	--	--	---



11

<p>A x 4</p>  <p>Ø 15 x 9.5mm</p>	<p>B x 4</p>  <p>Ø 7 x 40mm</p>	<p>C x 4</p>  <p>Ø 8 x 30mm</p>	 
--	--	--	--

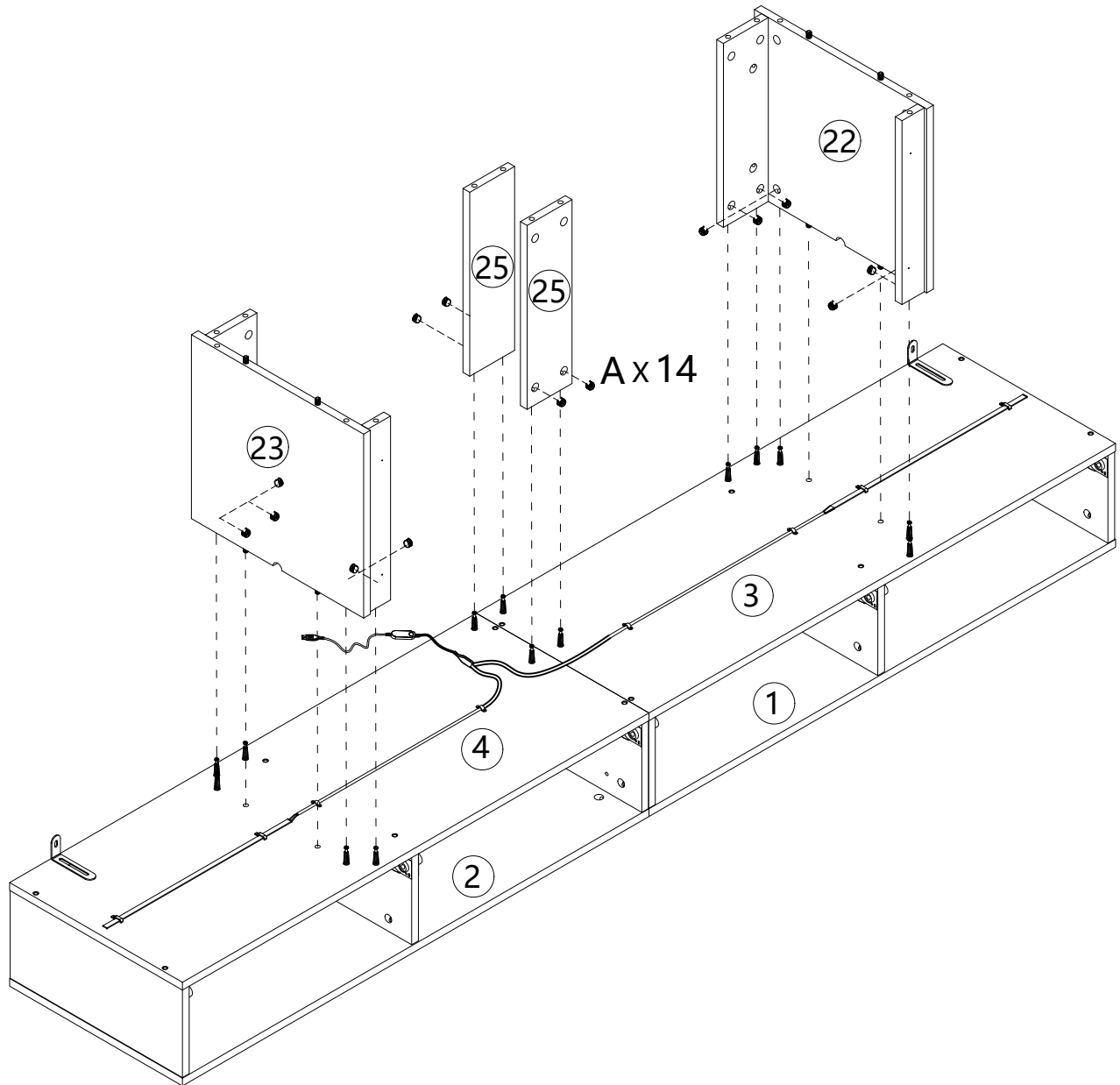
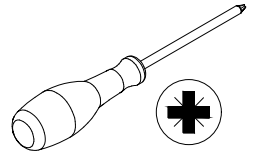


12

A x 14

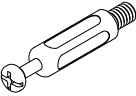
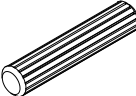
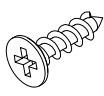
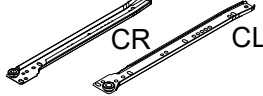


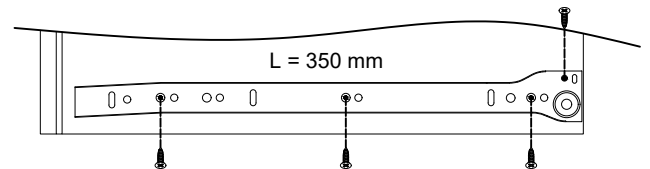
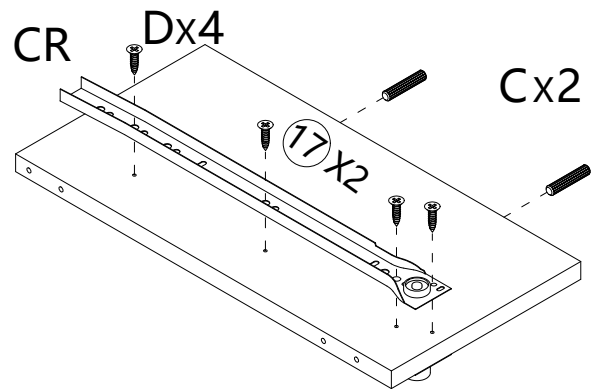
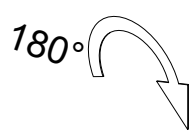
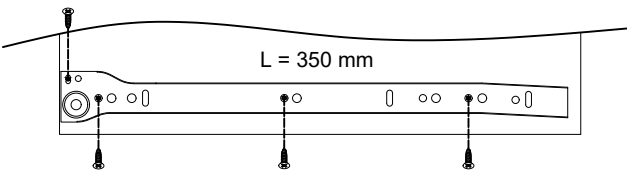
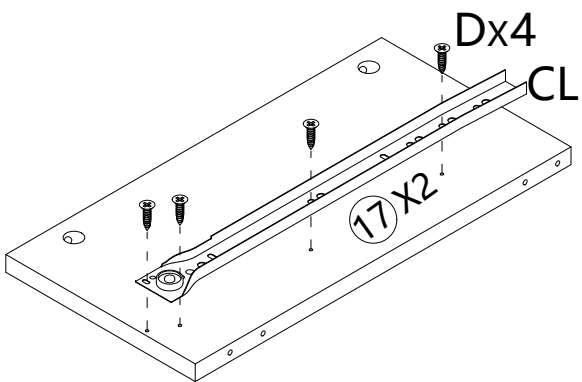
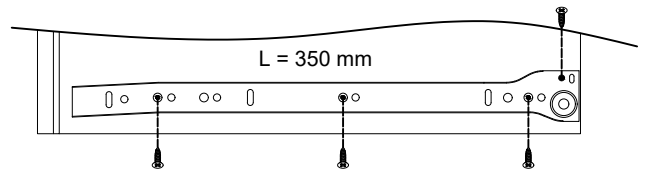
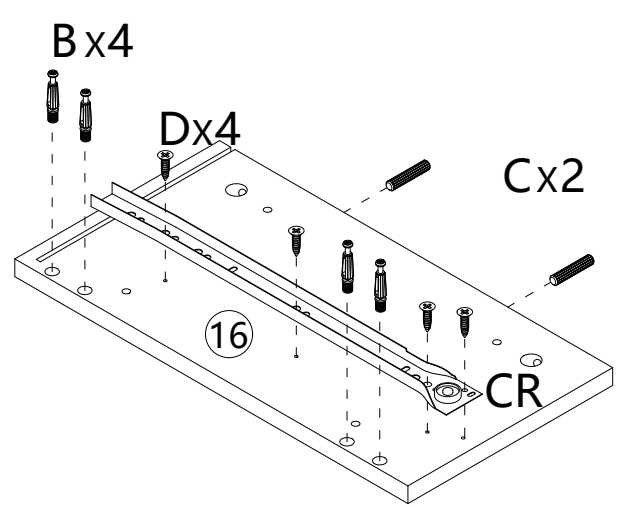
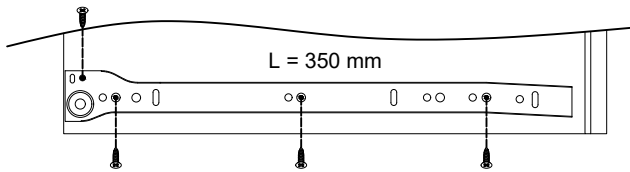
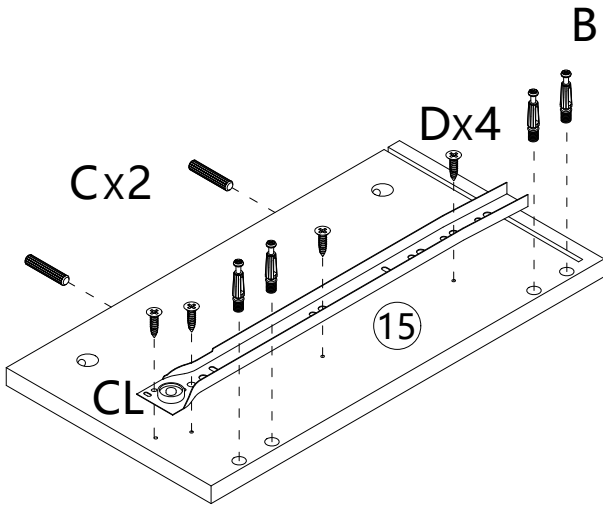
Ø 15 x 9.5mm



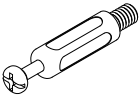
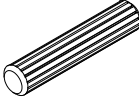
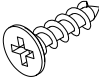
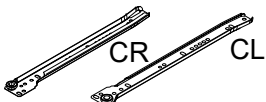
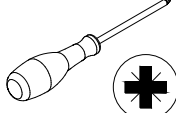
Be careful of the LED wires when flipping.

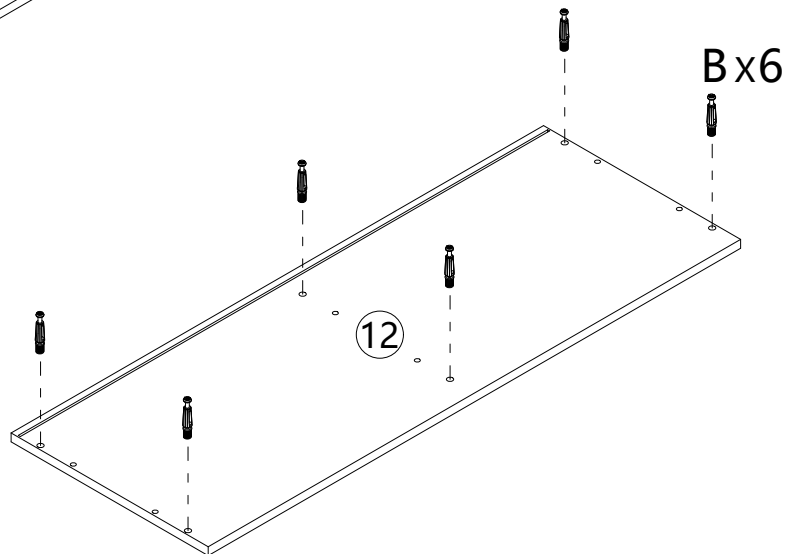
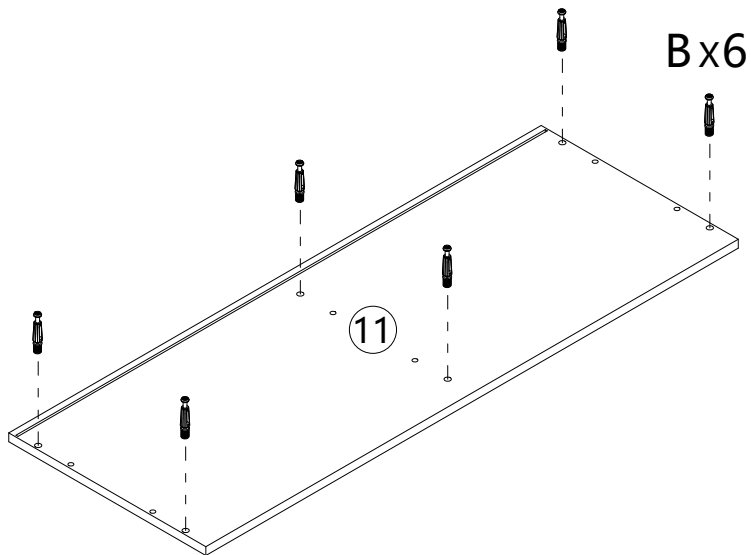
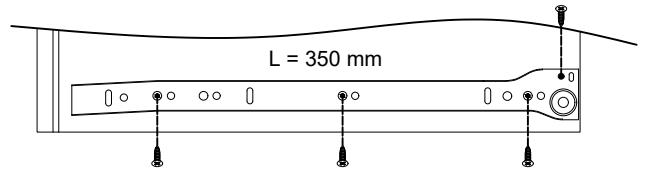
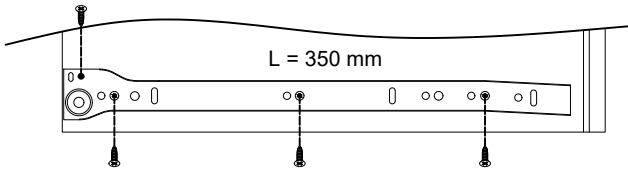
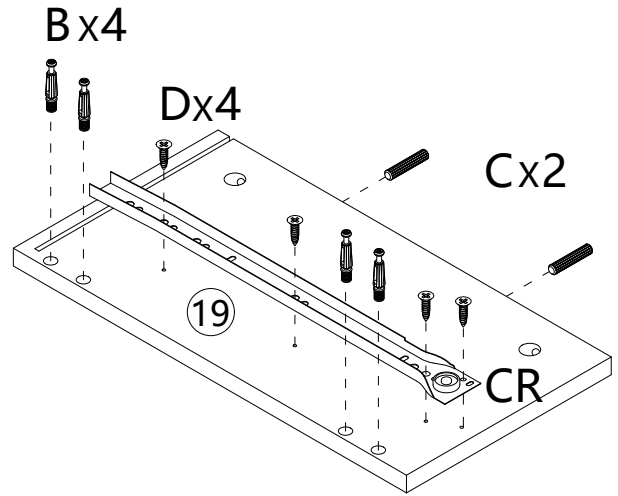
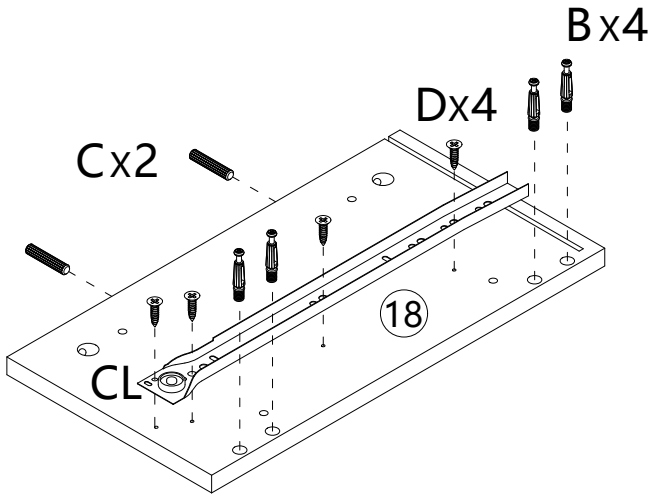
13

<p>B x 8</p>  <p>Ø7 x 40mm</p>	<p>C x 8</p>  <p>Ø8 x 30mm</p>	<p>D x 24</p>  <p>M 3.5 x 12 mm</p>	<p>R x 3</p>  <p>CR CL</p> <p>L = 350 mm</p>	
---	---	--	--	--

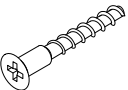


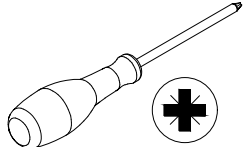



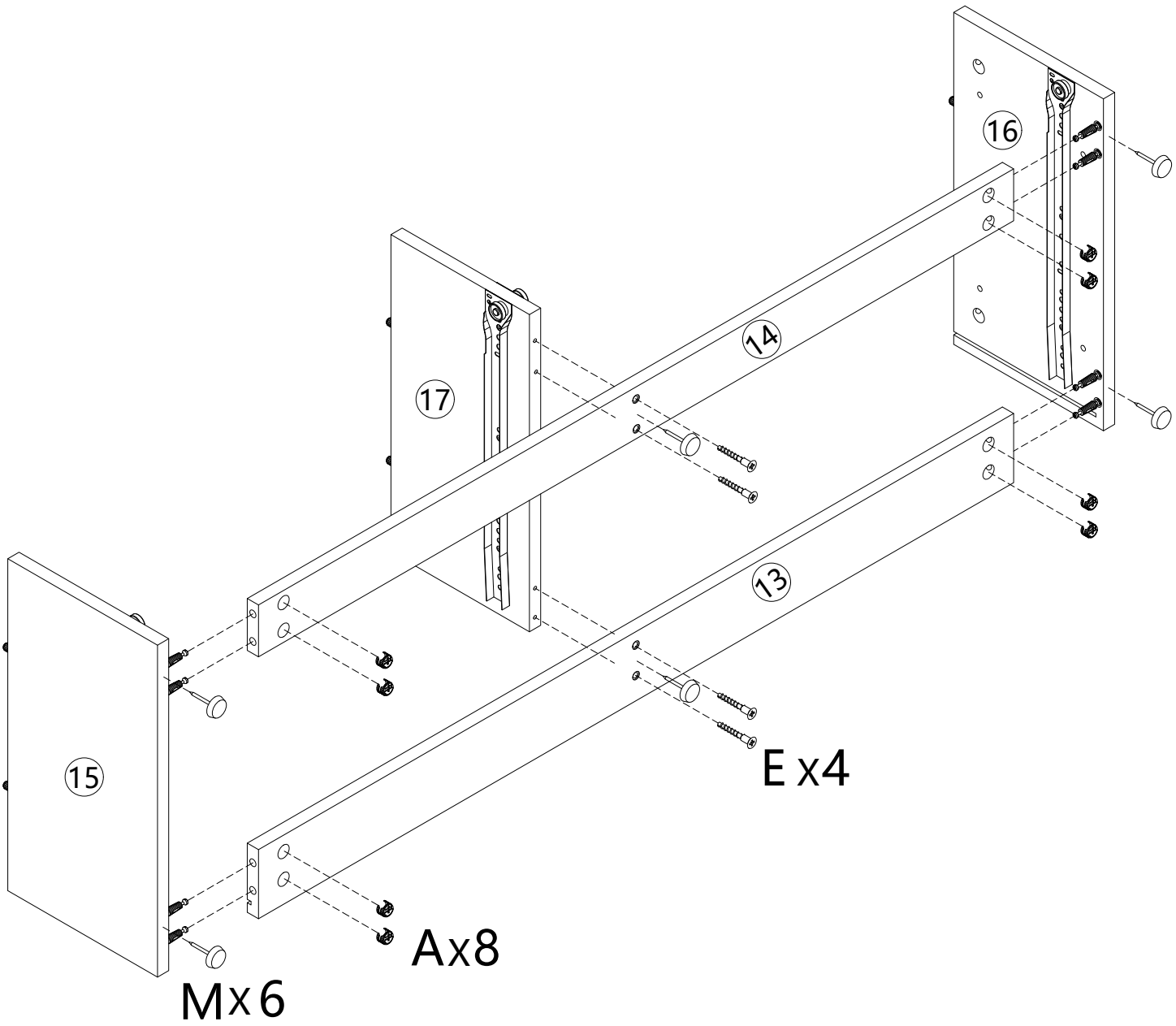
14

<p>B x 20</p>  <p>Ø 7 x 40mm</p>	<p>C x 4</p>  <p>Ø 8 x 30mm</p>	<p>D x 8</p>  <p>M 3.5 x 12 mm</p>	<p>R x 1</p>  <p>CR CL</p> <p>L = 350 mm</p>	
---	--	---	--	---



15

<p>E x 4</p>  <p>M 5 x 40 mm</p>	<p>A x 8</p>  <p>∅ 15 x 9.5mm</p>	<p>M x 6</p> 	 
---	--	--	---

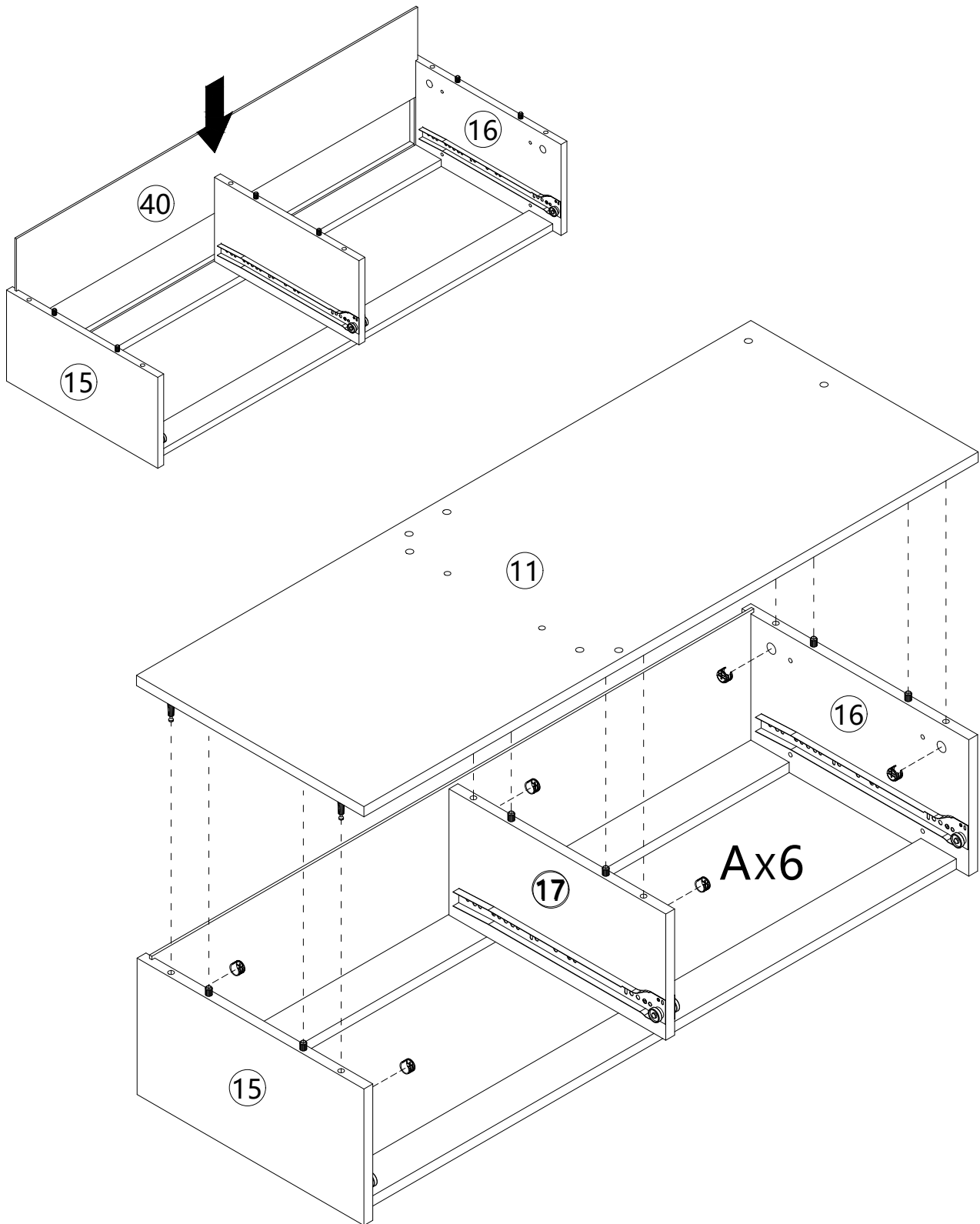
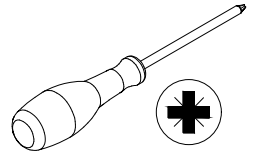


16


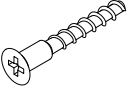

A x 6

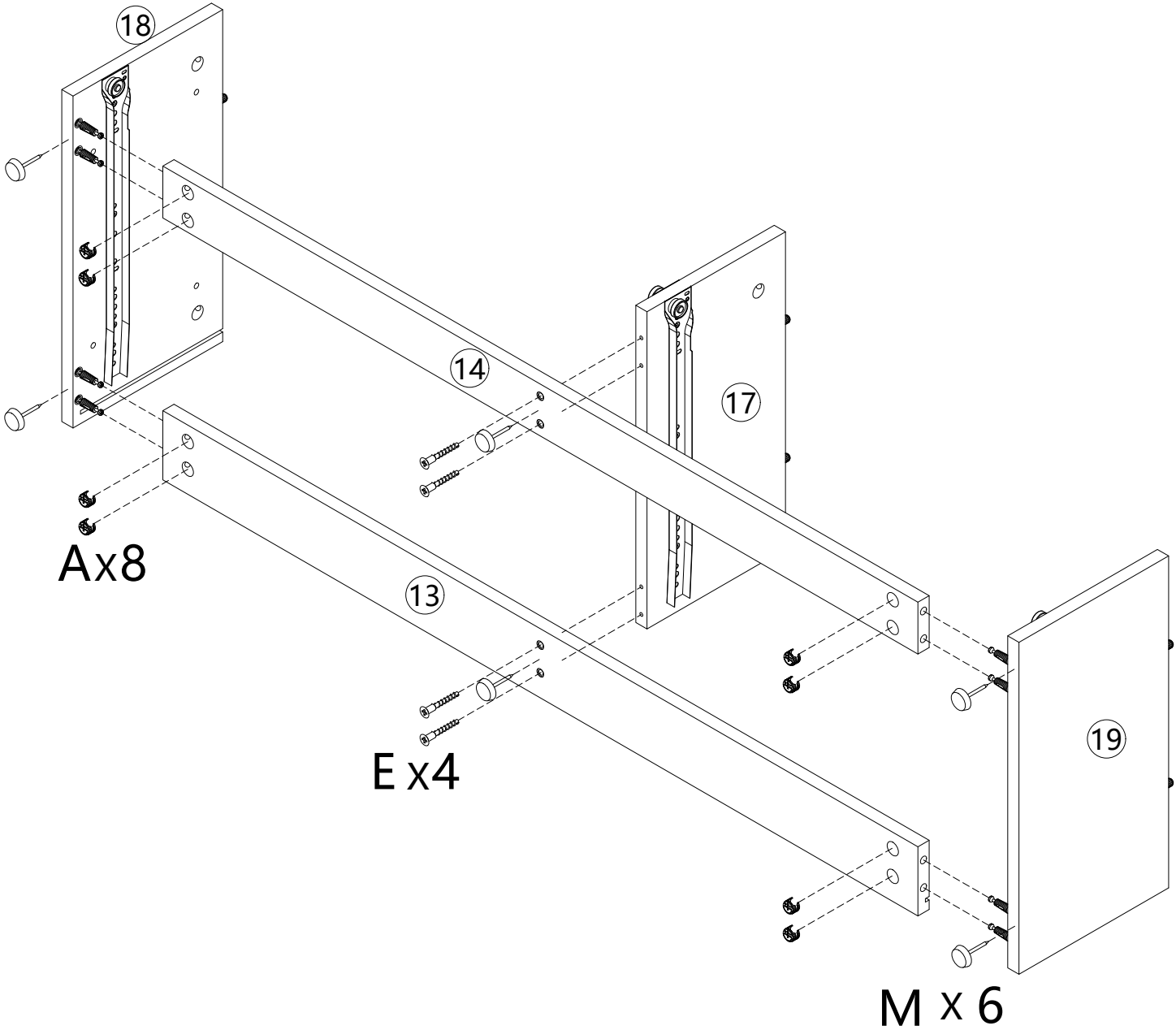


Ø 15 x 9.5mm



17

<p>A x 8</p>  <p>Ø 15 x 9.5mm</p>	<p>E x 4</p>  <p>M 5 x 40 mm</p>	<p>M x 6</p> 	
--	---	--	--

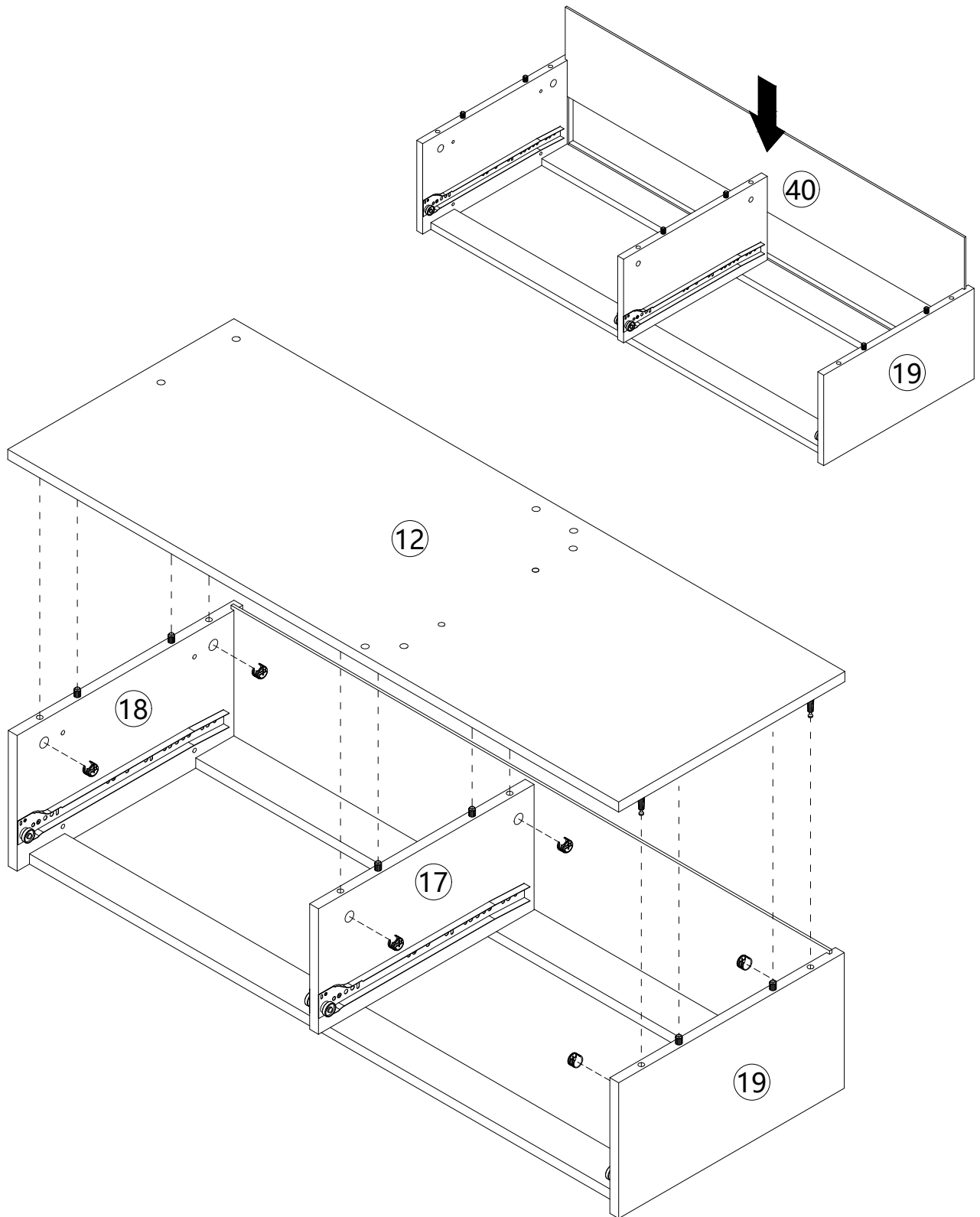
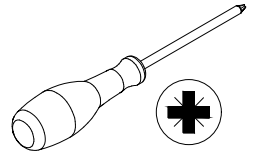


18

A x 6

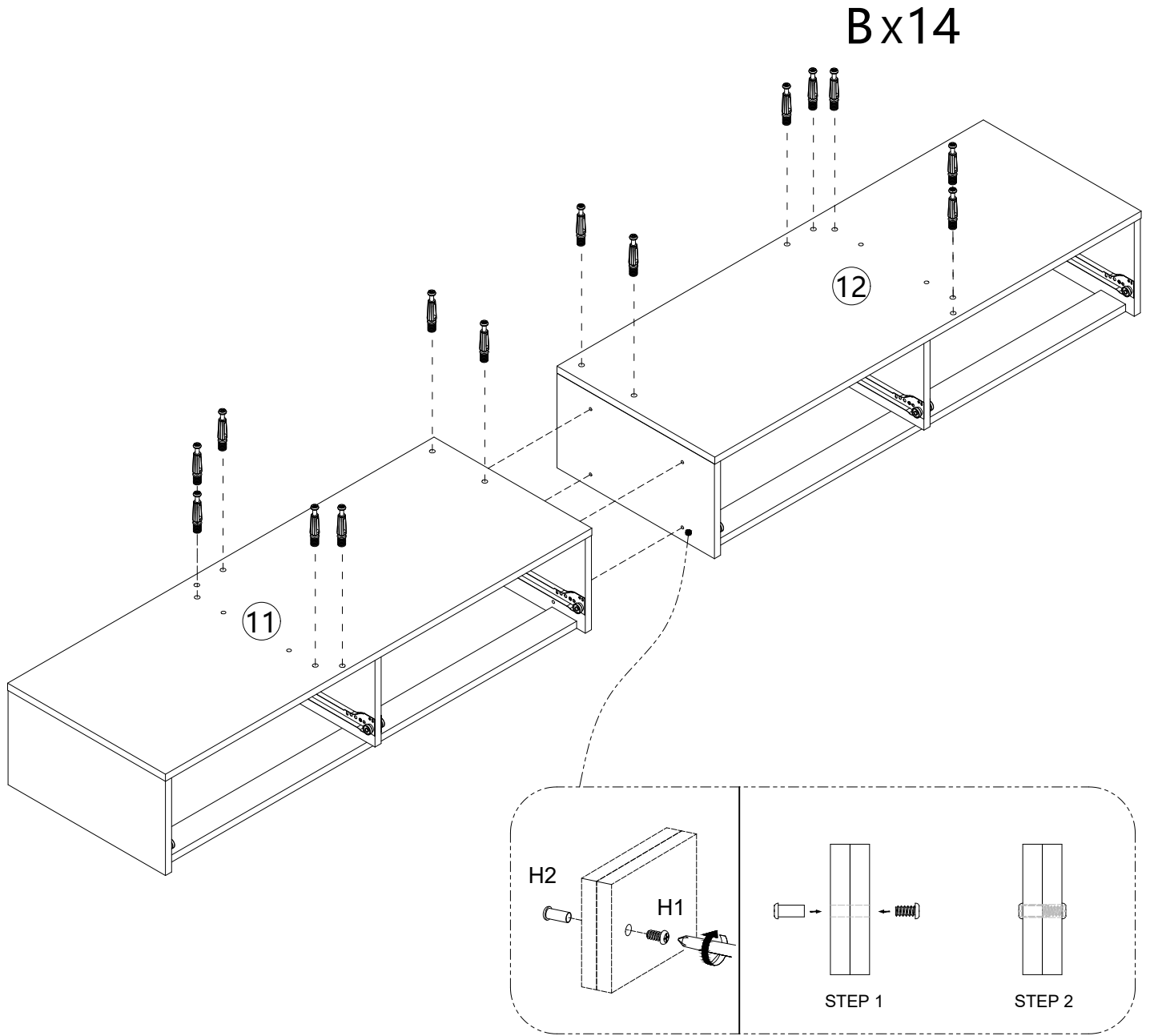


Ø 15 x 9.5mm



19

<p>B x 14</p>  <p>Ø 7 x 40mm</p>	<p>H x 4</p>  <p>H2 H1</p>	
---	---	---



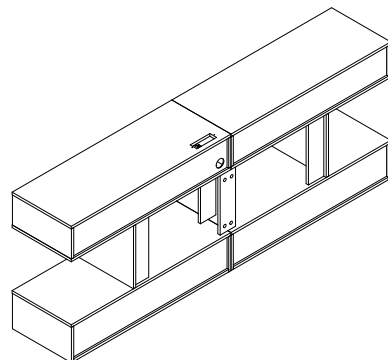
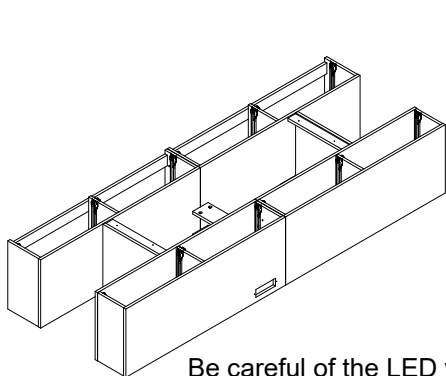
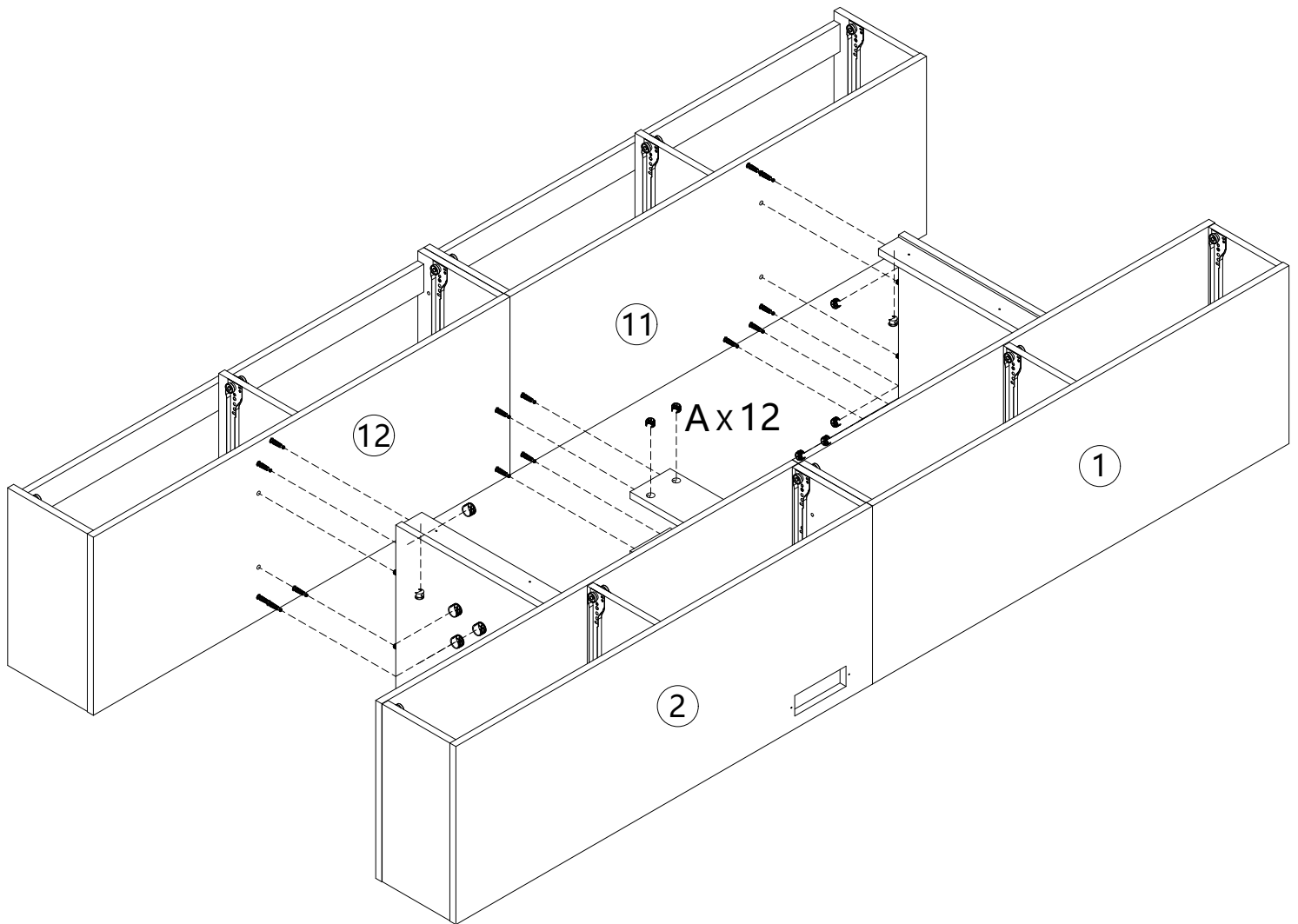
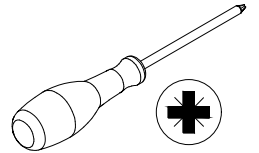
STEP 1

20

A x 12

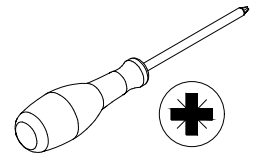


Ø 15 x 9.5mm

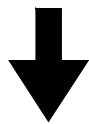
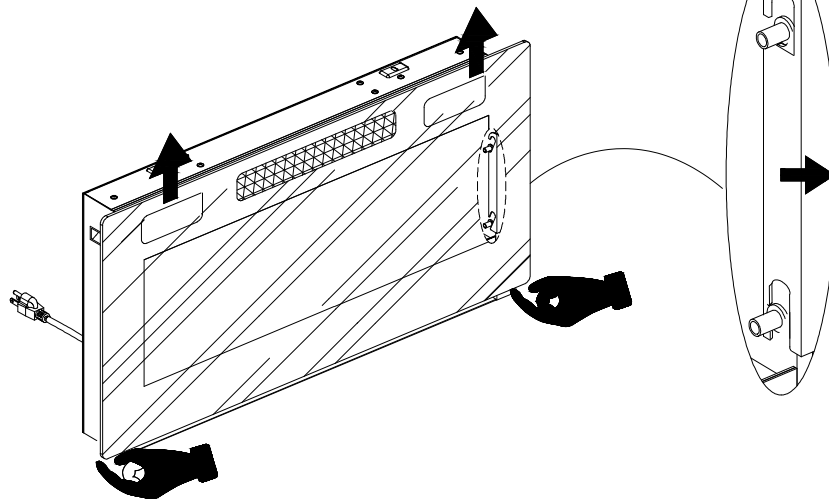
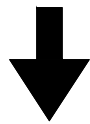
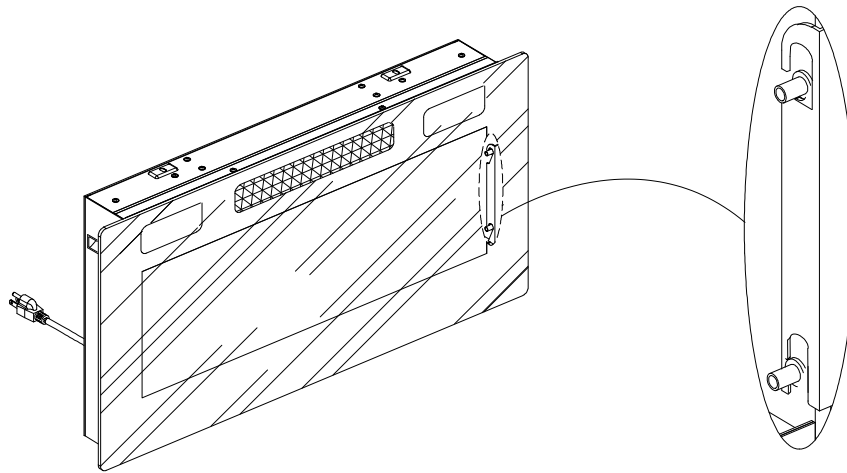


Be careful of the LED wires when flipping.

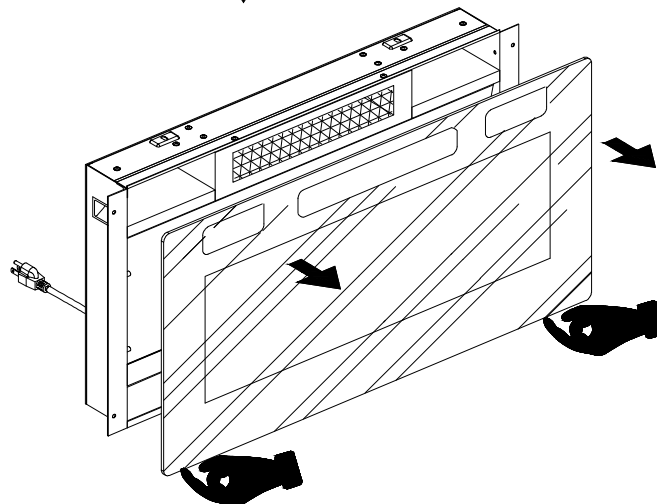
21



Step 1



Step 2

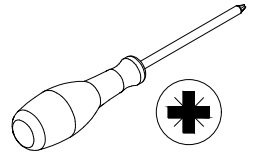


22

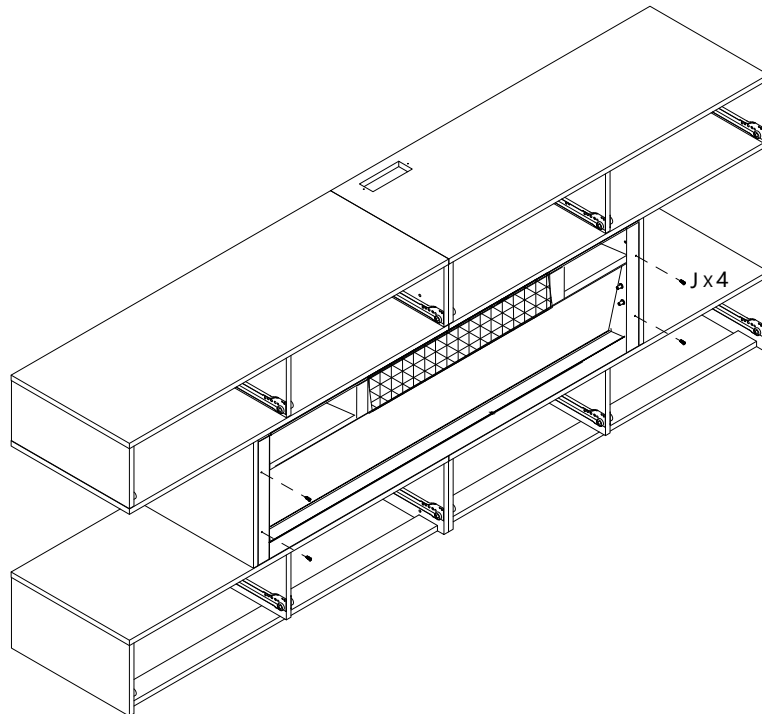
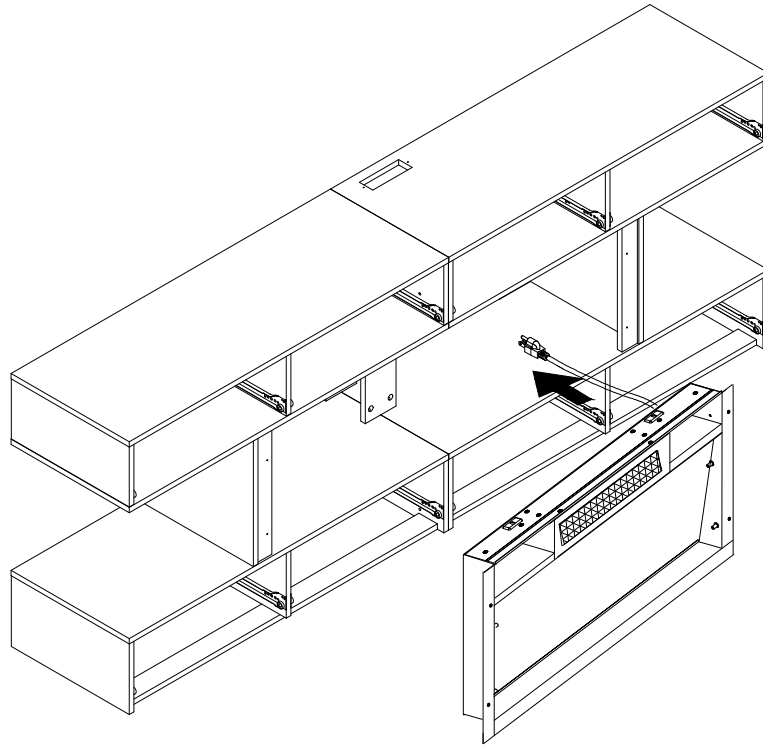
J x 4



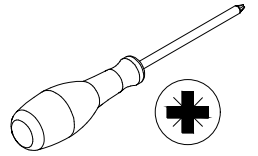
M4 x 14mm



Step 3

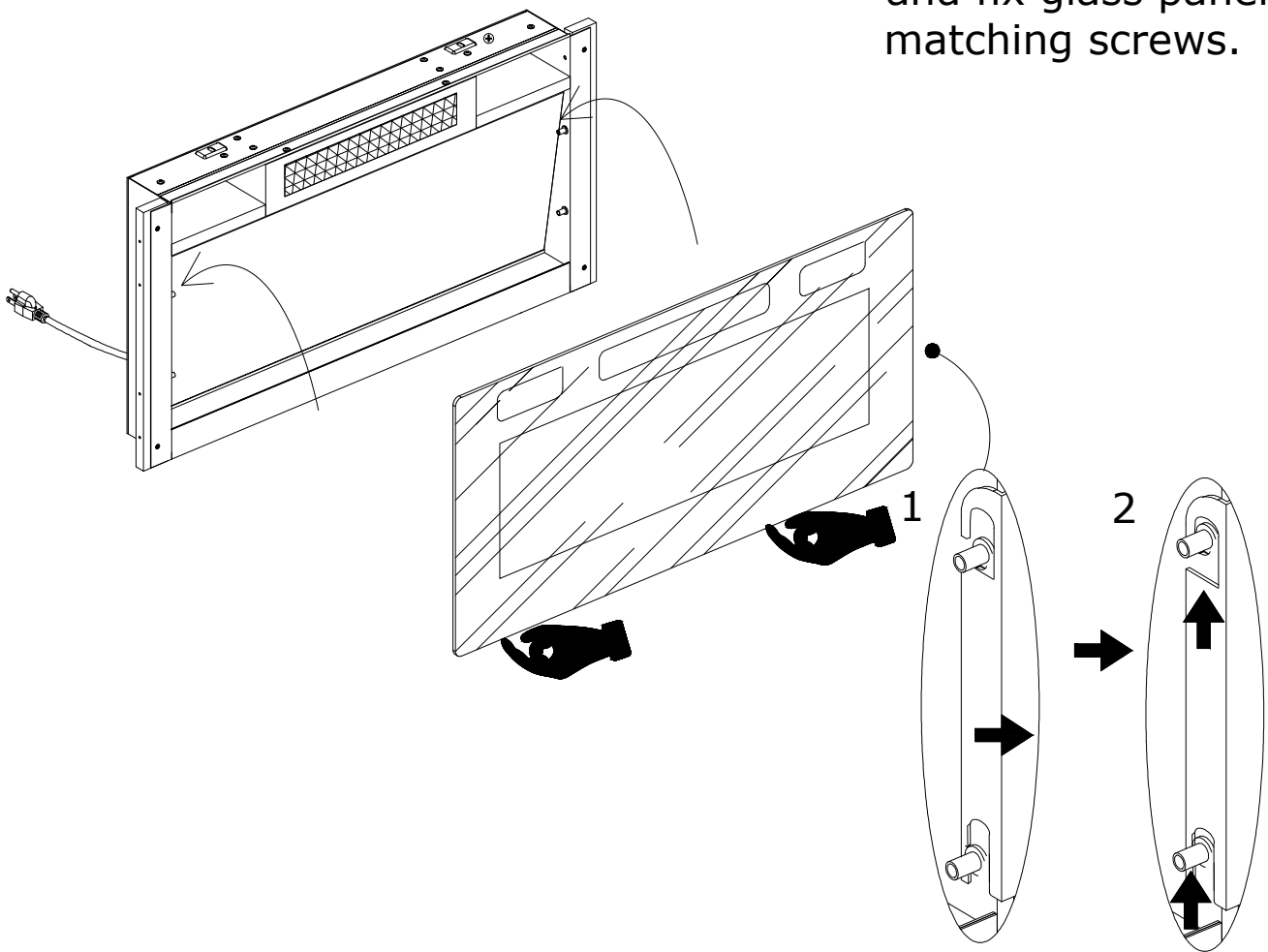


23



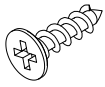
Step 4

Connect the power cord and fix glass panel using matching screws.



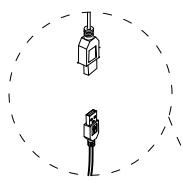
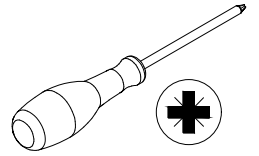
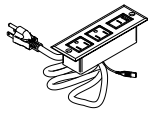
24

D x 2

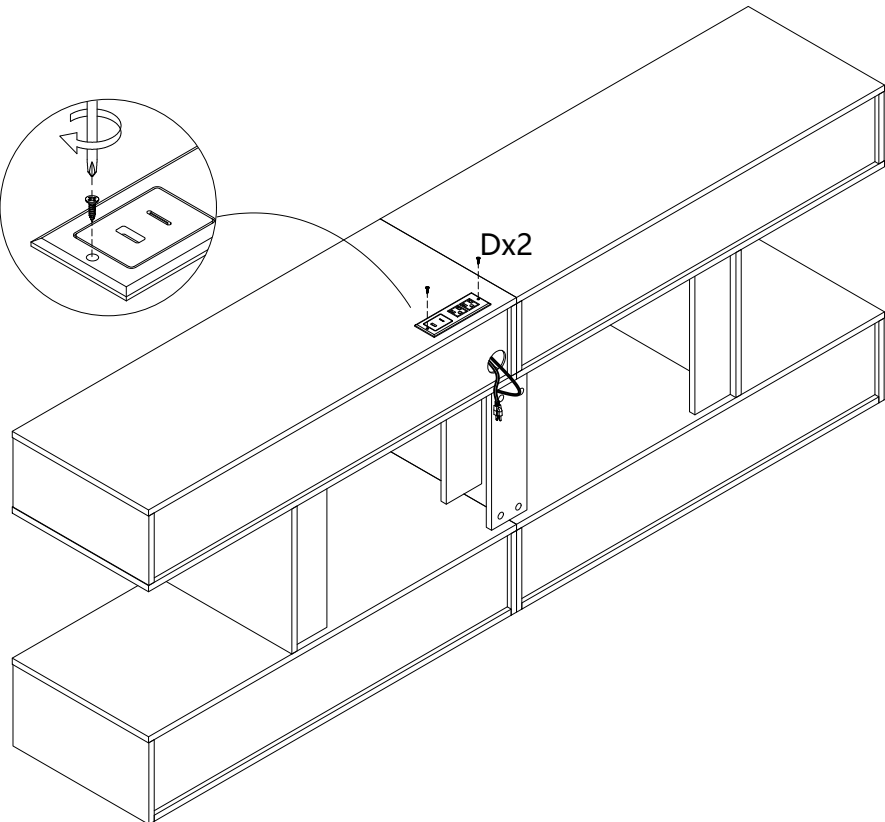
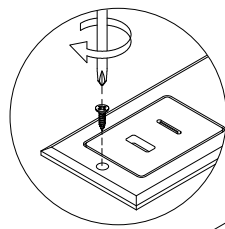
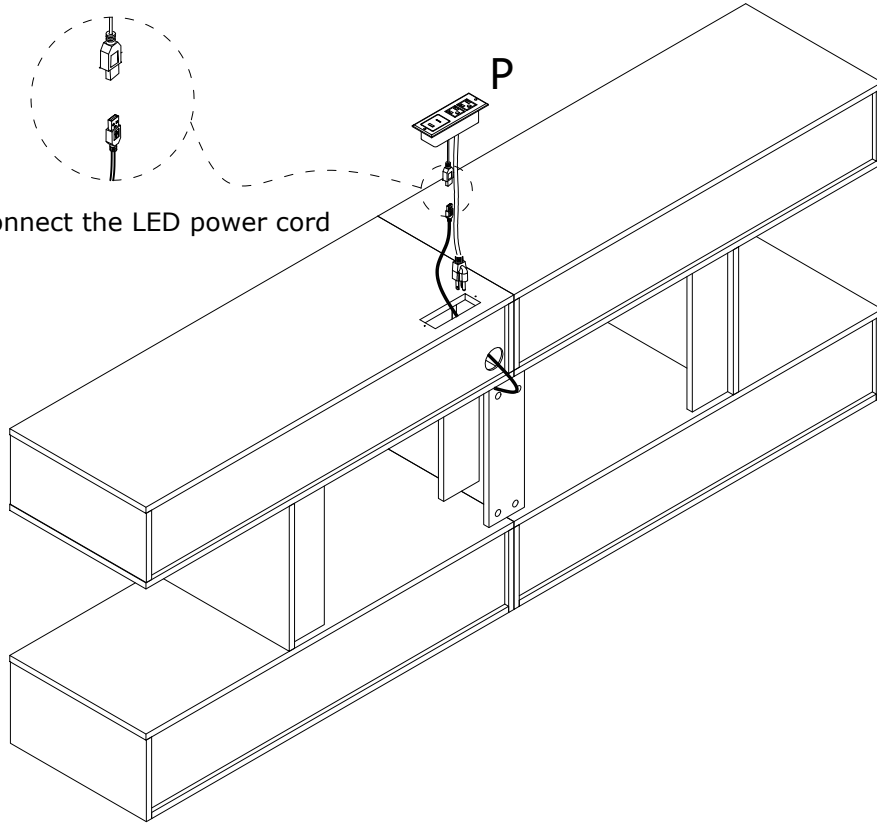


M 3.5 x 12mm

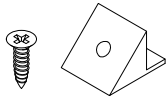

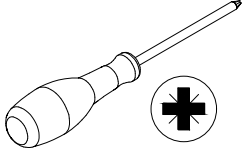
P x 1

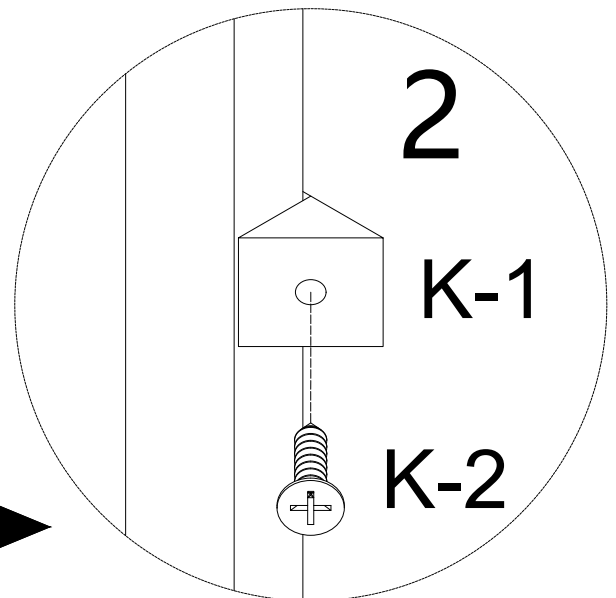
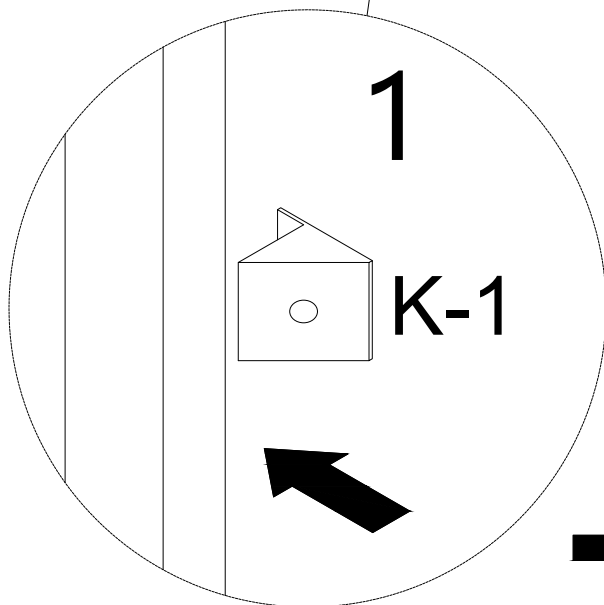
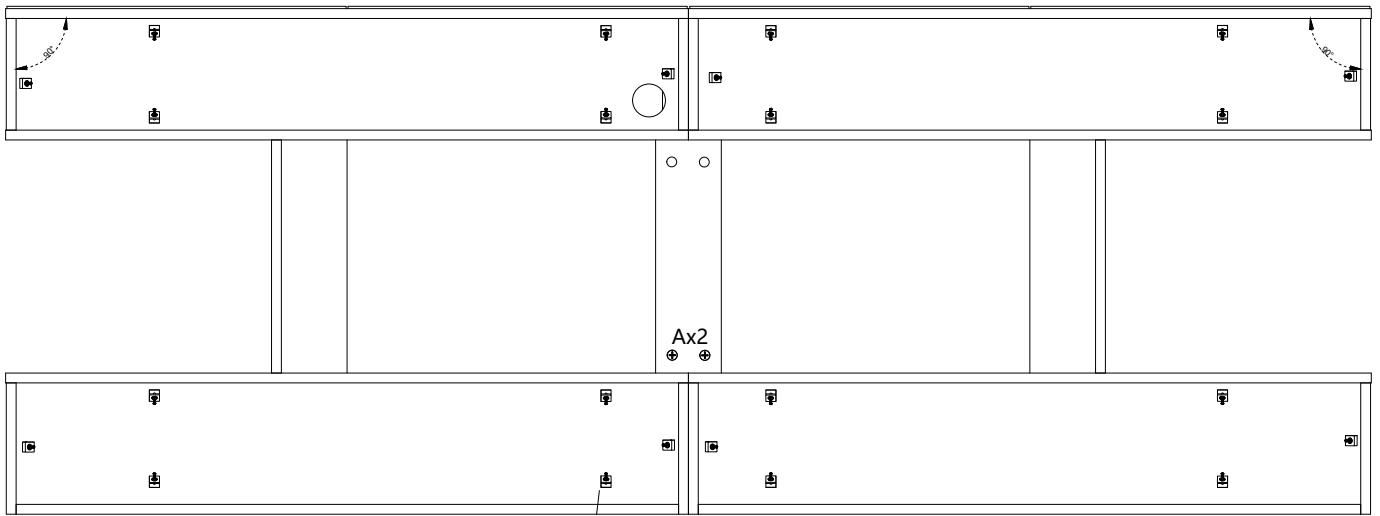


First, connect the LED power cord

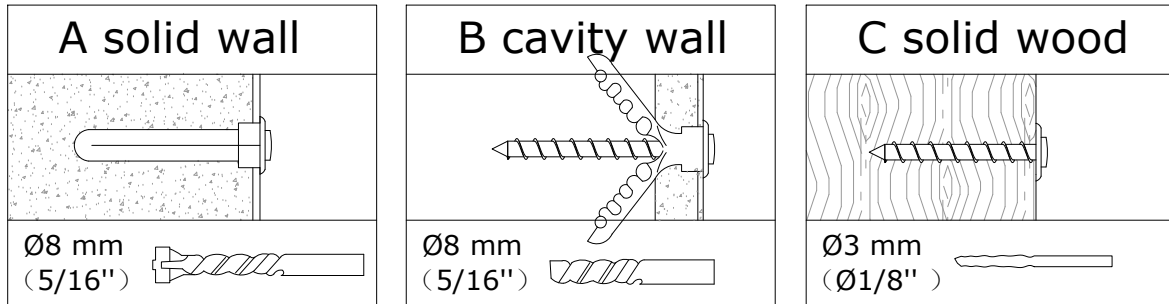
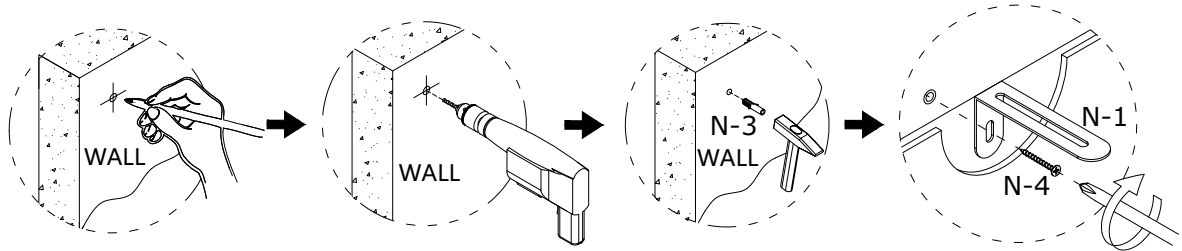
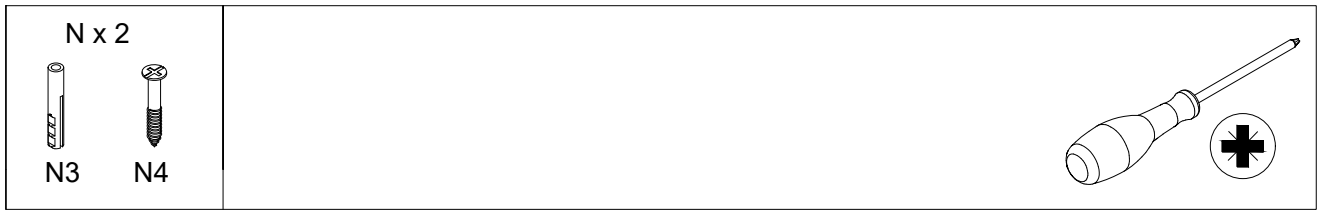


25

<p>K x 24</p>  <p>K1 K2</p>	<p>A x 2</p>  <p>∅ 15 x 9.5mm</p>	
--	--	---



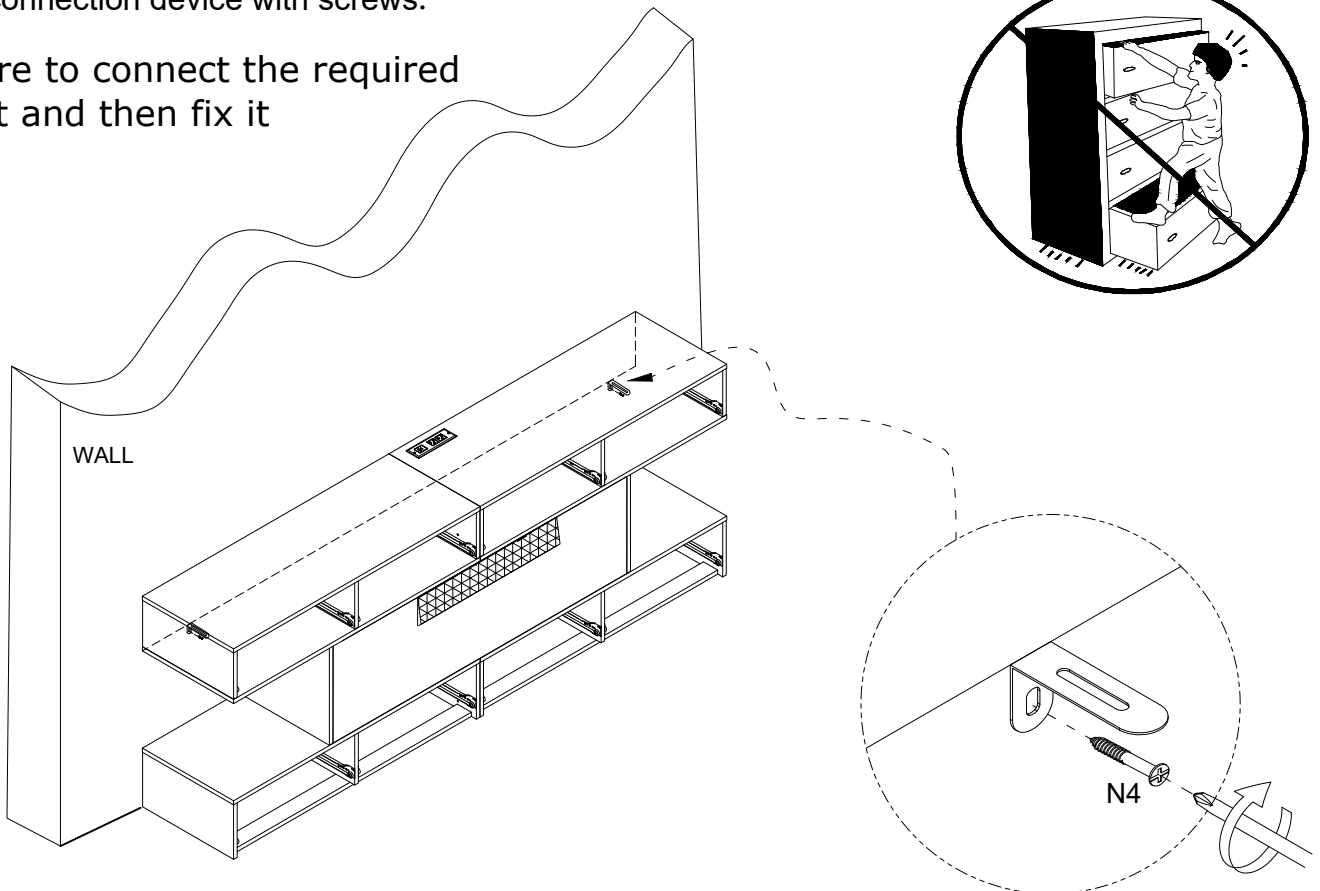
26




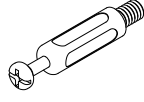
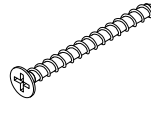
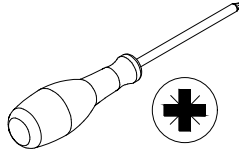
⚠ Warning: If you overturn the furniture, it may cause serious or fatal crushing injuries. We have a wall connection device attached, please use it to hold the furniture following these instructions.

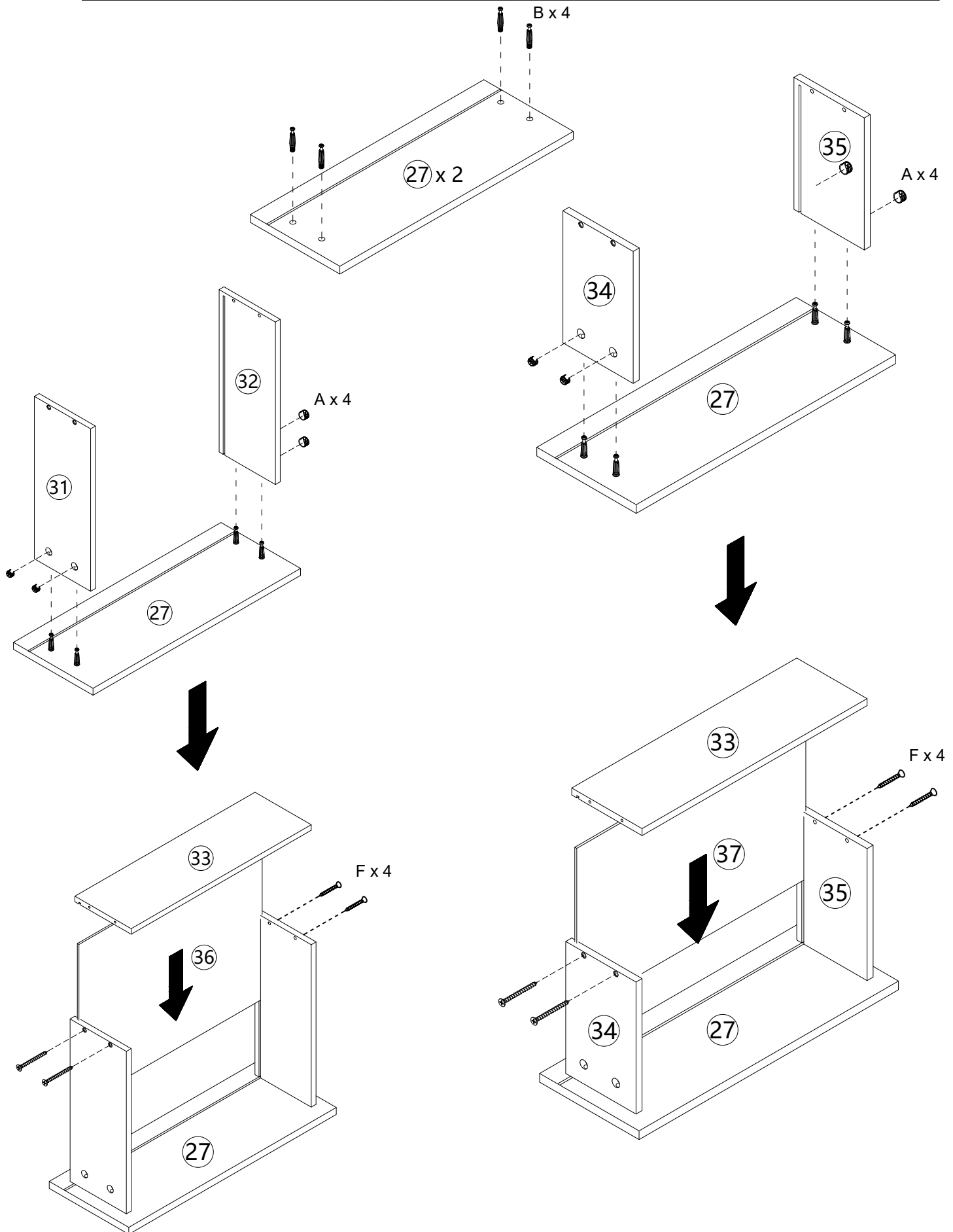
1. Mark the corresponding hole positions where you want to place the furniture;
2. Use a impact drill to drill holes and pay attention to avoid wires and water pipes;
3. Knock the expansion pipes into the wall holes;
4. Place the furniture in the corresponding position and tighten the wall connection device with screws.

Make sure to connect the required plug first and then fix it


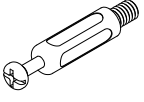
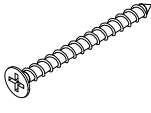
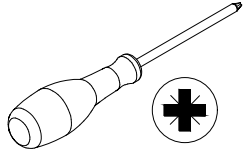


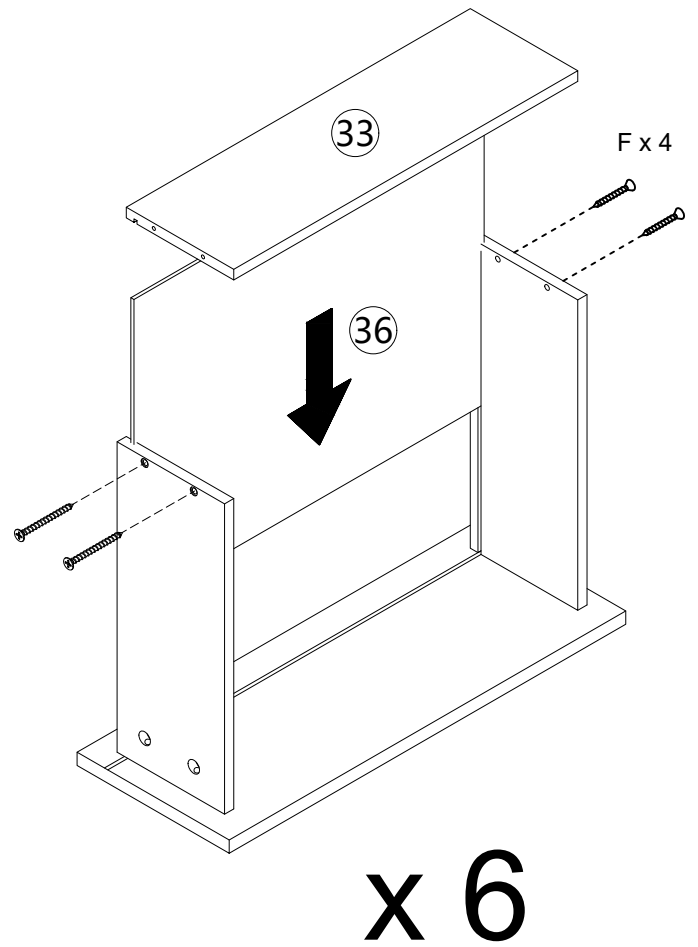
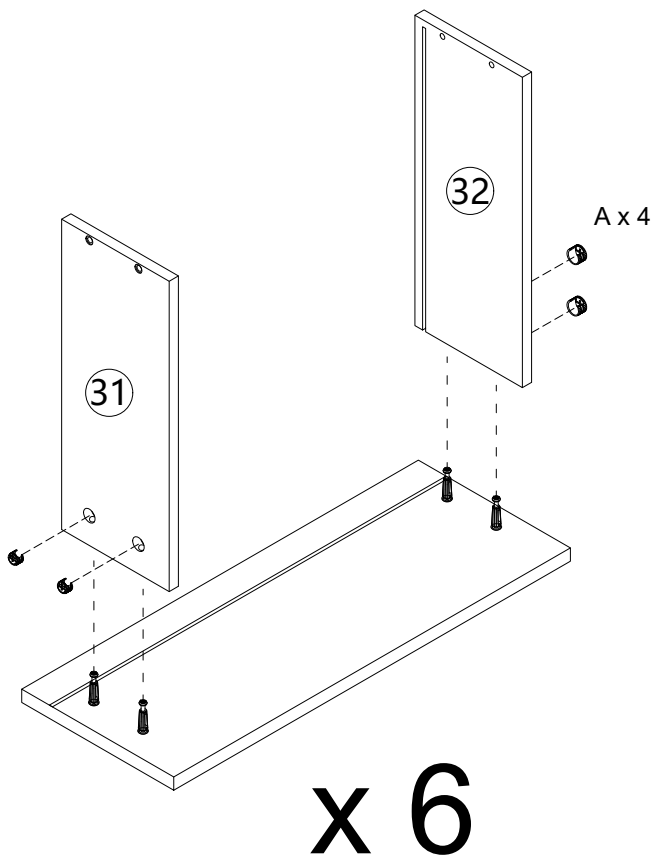
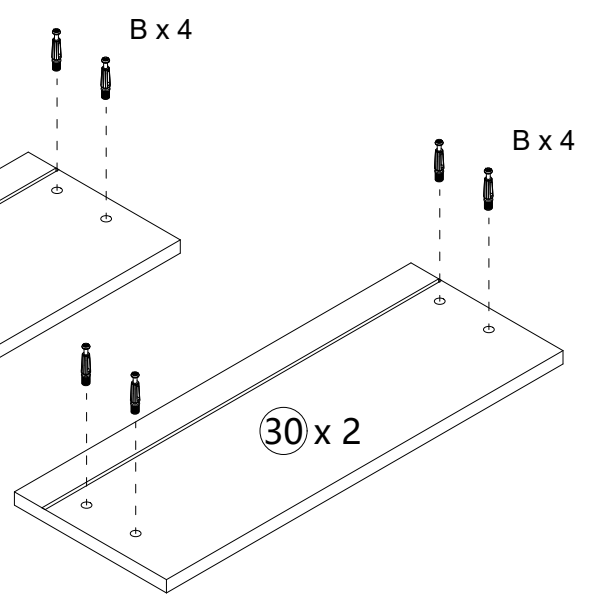
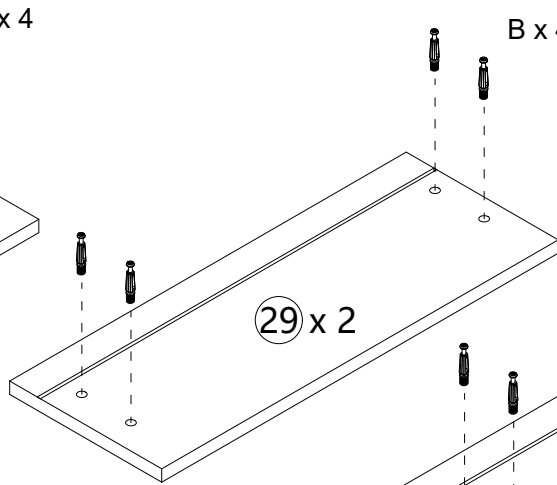
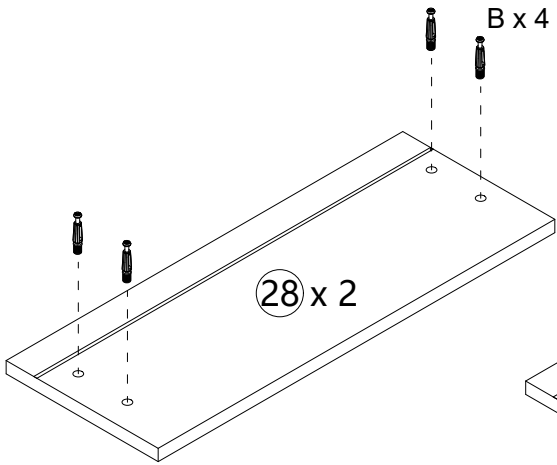
27

<p>A x 8</p>  <p>Ø 15 x 9.5mm</p>	<p>B x 8</p>  <p>Ø 7 x 40mm</p>	<p>F x 8</p>  <p>M4 x 40mm</p>	
--	--	---	---

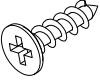


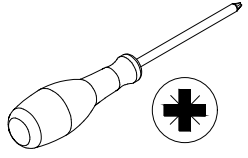


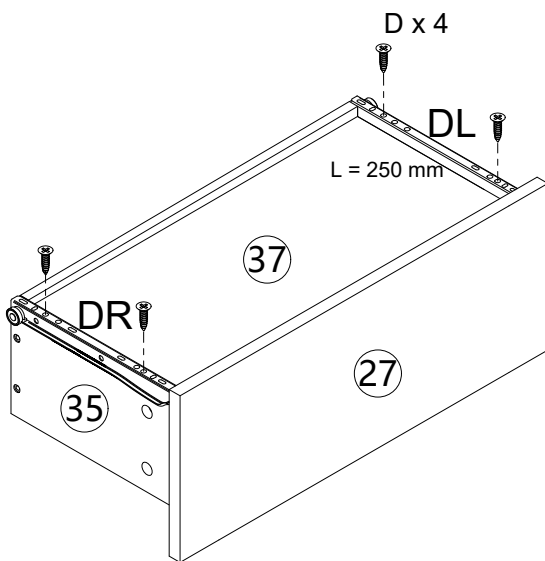
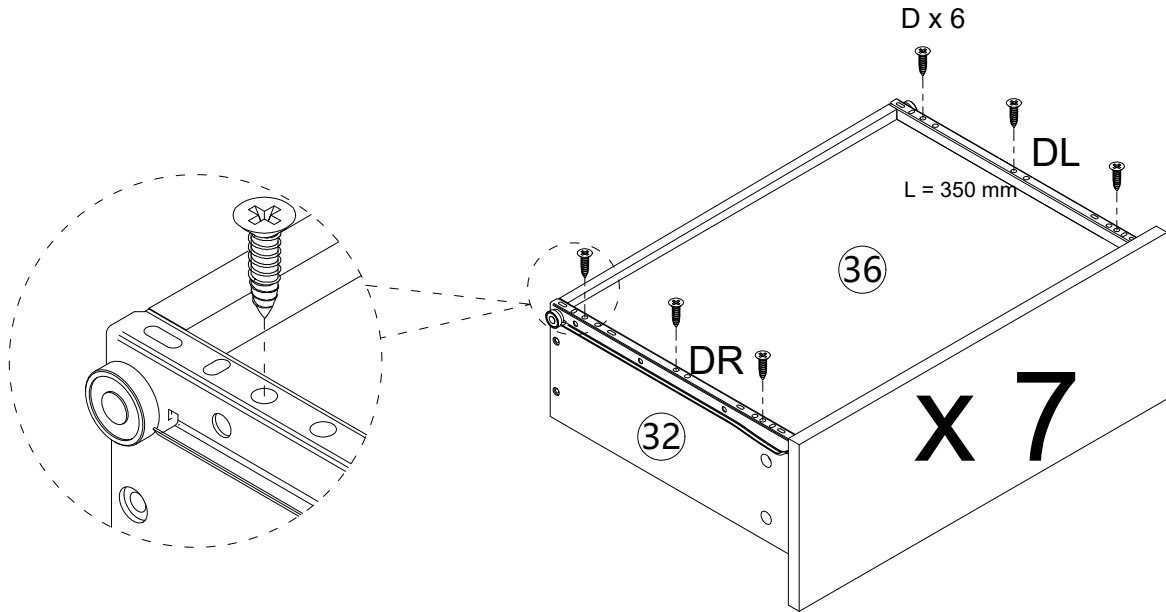
28

<p>A x 24</p>  <p>∅ 15 x 9.5mm</p>	<p>B x 24</p>  <p>∅ 7 x 40mm</p>	<p>F x 24</p>  <p>M4 x 40mm</p>	 <p>+</p>
---	---	--	--



29

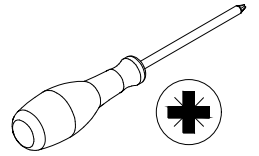
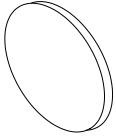
<p>D x 46</p>  <p>M 3.5 x 12 mm</p>	<p>R x 7</p>  <p>DR DL</p> <p>L = 350 mm</p>	<p>S x 1</p>  <p>DR DL</p> <p>L = 250 mm</p>	
--	---	--	---



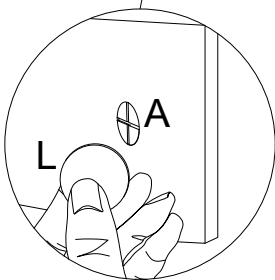
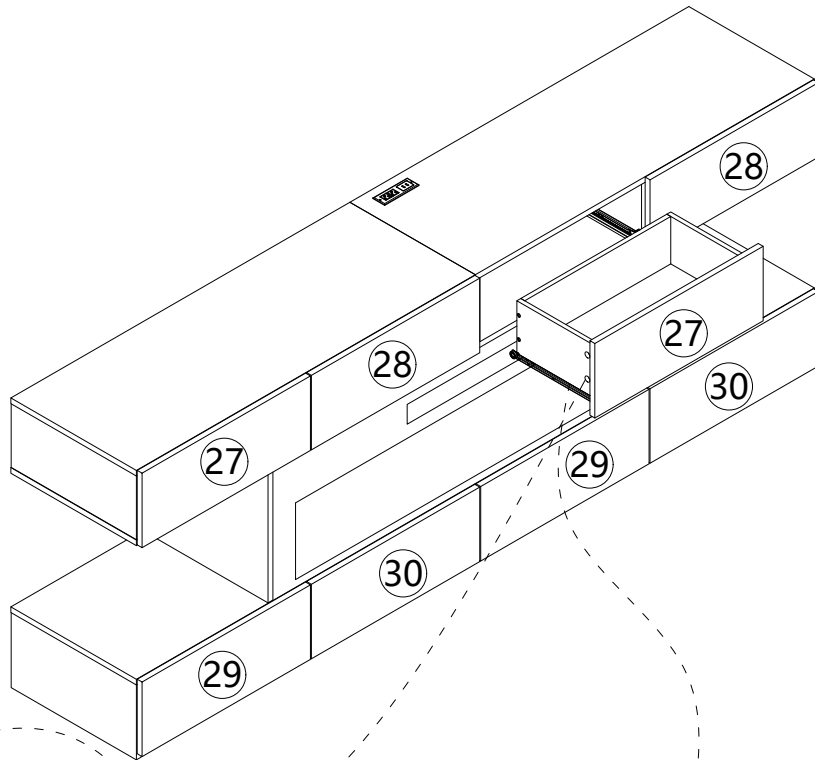
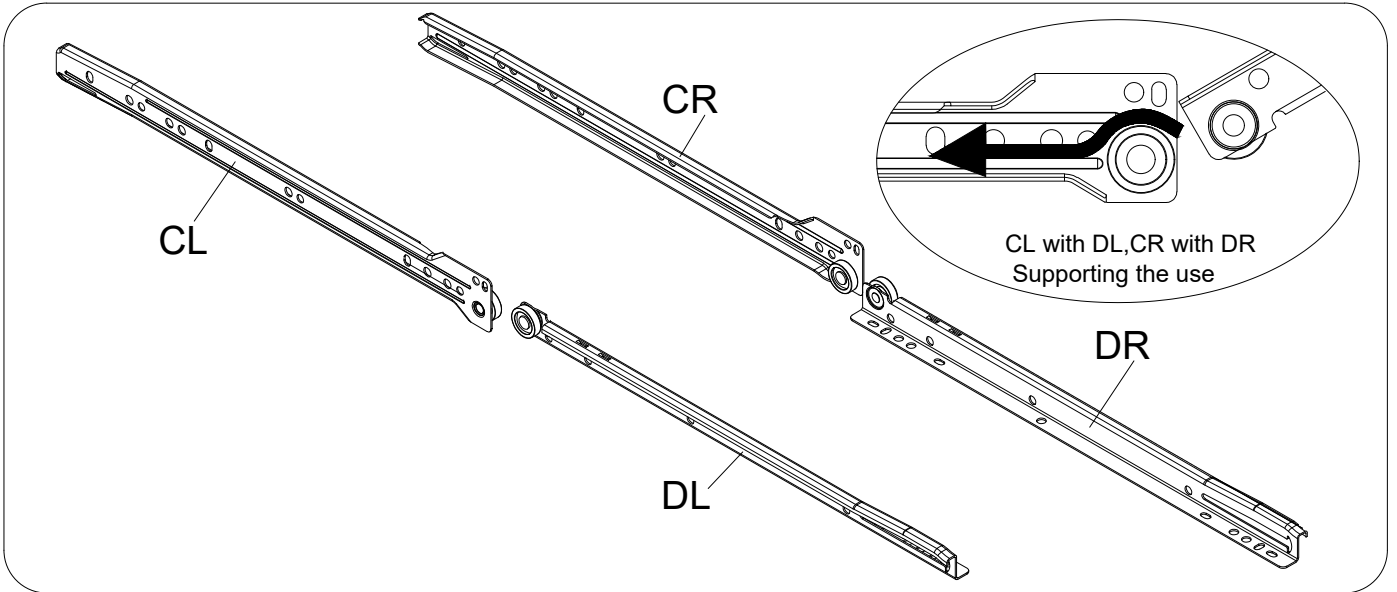
Secure the parts in place first, then tighten the screws.

30

L X 32



REMARK:



Use the stickers L to cover the holes

