

**Night Stand**  
**Assembly Instruction**  
**Contains One Night Stand and Hardware**



# Night Stand

Contains One (1) Night Stand and Hardware

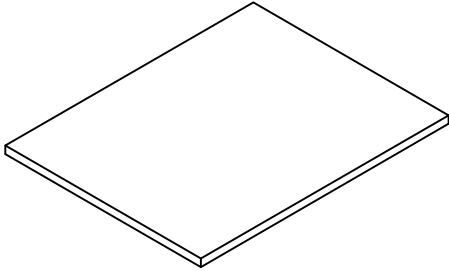
## IMPORTANT NOTE:

Carefully remove all the parts from the box. Arrange on a flat surface and verify you have all of the following parts and hardware

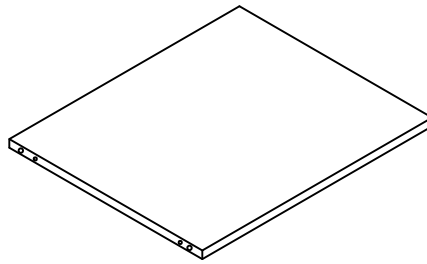
TOOLS REQUIRED:  
-Phillips Screwdriver

# PARTS LIST

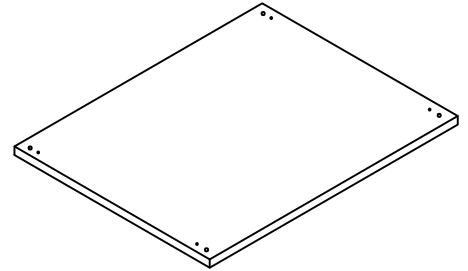
1.Top Panel (1 PC)



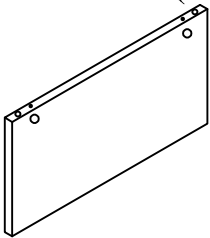
2.Shelf Panel (1 PC)



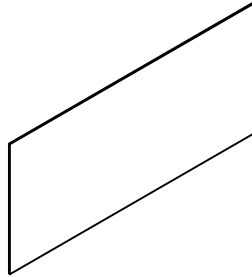
3.Bottom Panel (1 PCS)



4.Side Panel L/R (2 PCS)



5.Back Panel (1 PC)



6.Legs (4 PC)

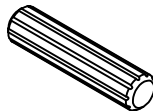


# HARDWARE LIST

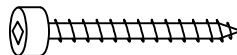
A.Allen Key (1 PCS)



B.Dowel (12 PCS)



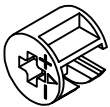
C.JCBC W 40mm (4 PCS)



D.Minifix Bolt (8 PC)



E.Minifix House (8 PC)



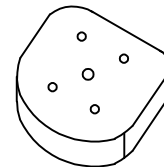
F.Minifix Cap (8 PC)



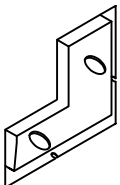
G.Screw 20mm (16 PCS)



H.Mounting Legs (4 PCS)



I.L Bracket (4 PCS)



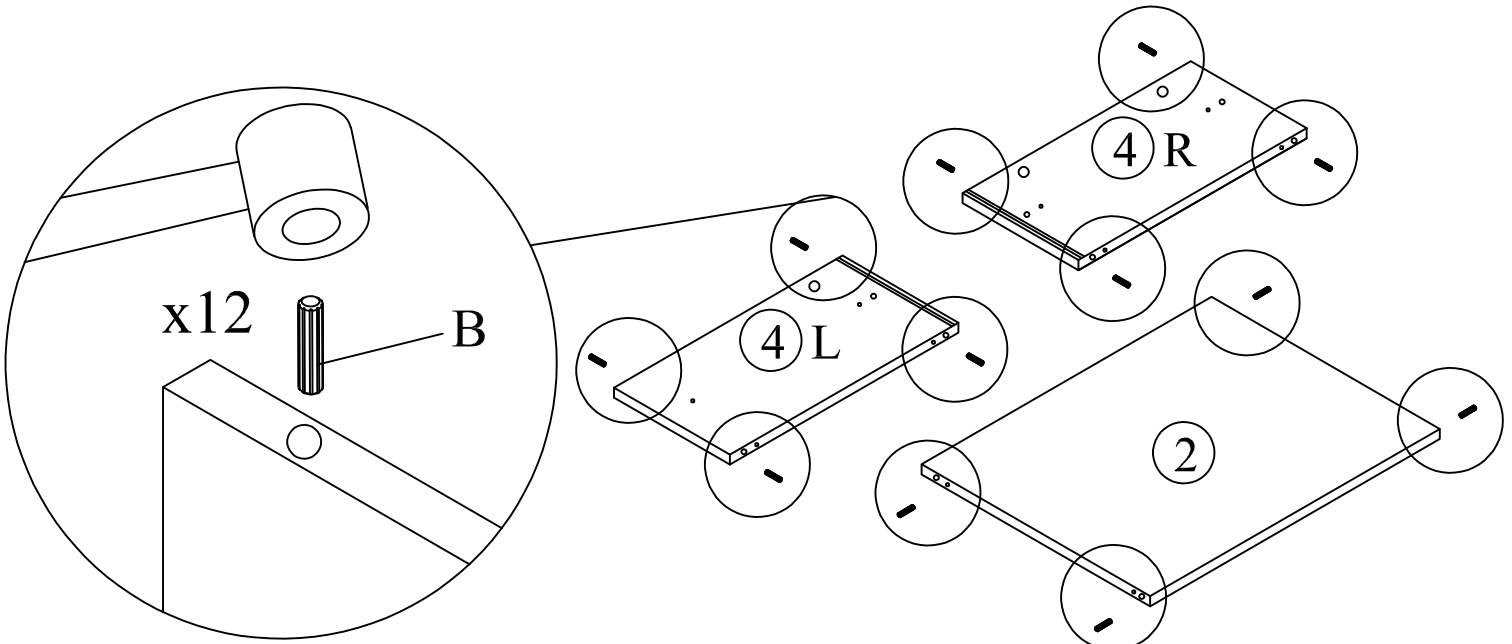
J.Screw 16mm (8 PCS)



# ASSEMBLY INSTRUCTIONS

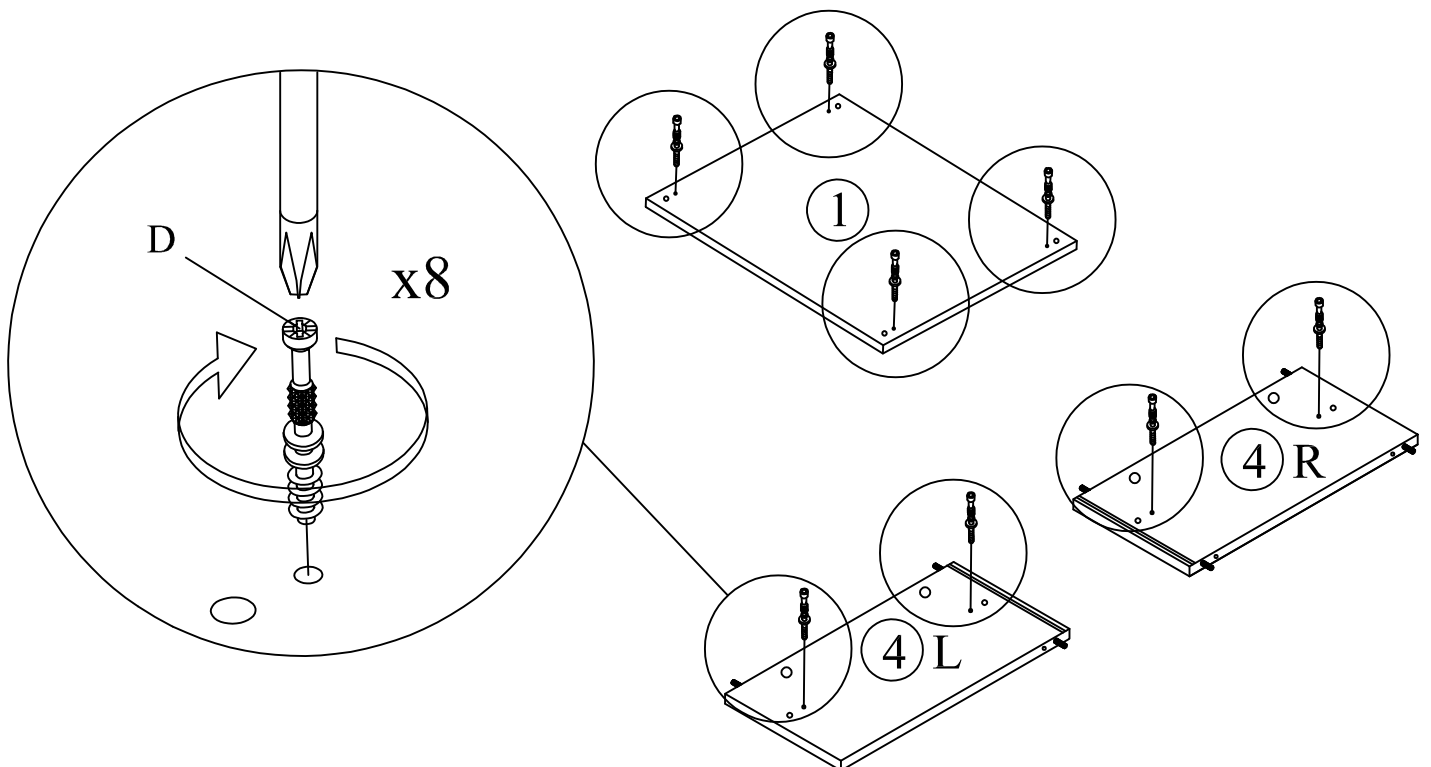
## STEP 1

Tap Dowels (B) into the Left and Right Side Panels (Part 4) and into the Shelf Panel (Part 2) in the larger holes provided.



## STEP 2

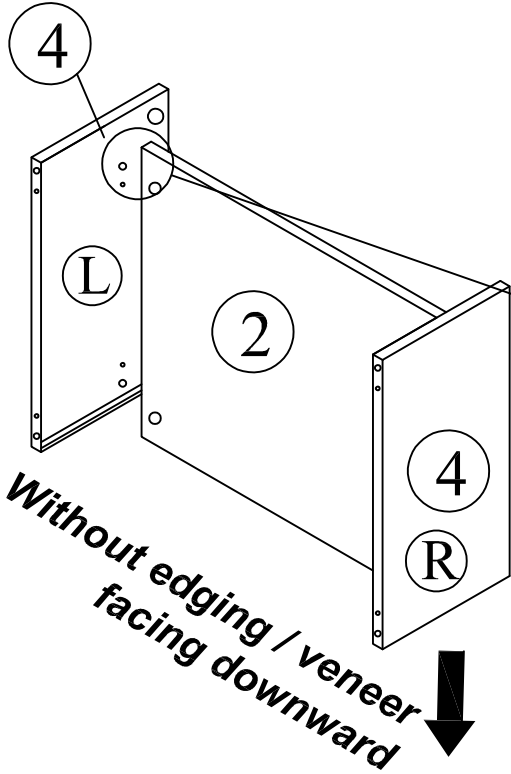
Using a Phillips Head Screwdriver, attach Minifix Bolts (D) to the Top Panel (Part 1) and the Left and Right Side Panels (Part 4) as indicated.





# ASSEMBLY INSTRUCTIONS

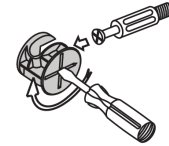
## STEP 5



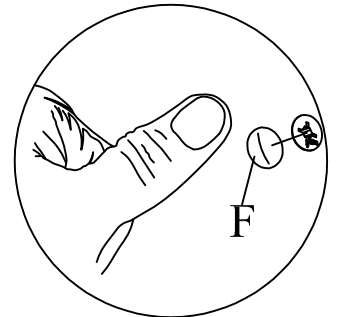
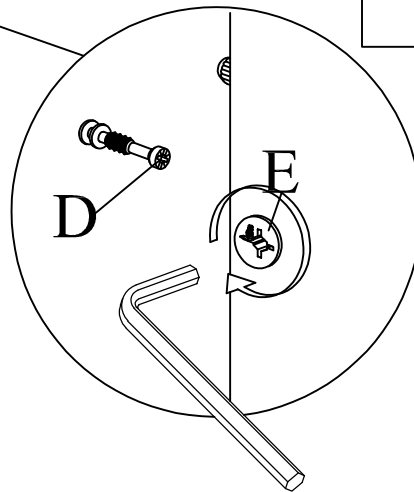
Attach the Left Side Panel (Part 4) to the Shelf Panel (Part 2) as shown. Turn the Minifix House (E) to tighten using the Allen Key.

Cover the Minifix House using the Minifix Cap (F) by pressing it into the Minifix House.

This is how a mini fix works...

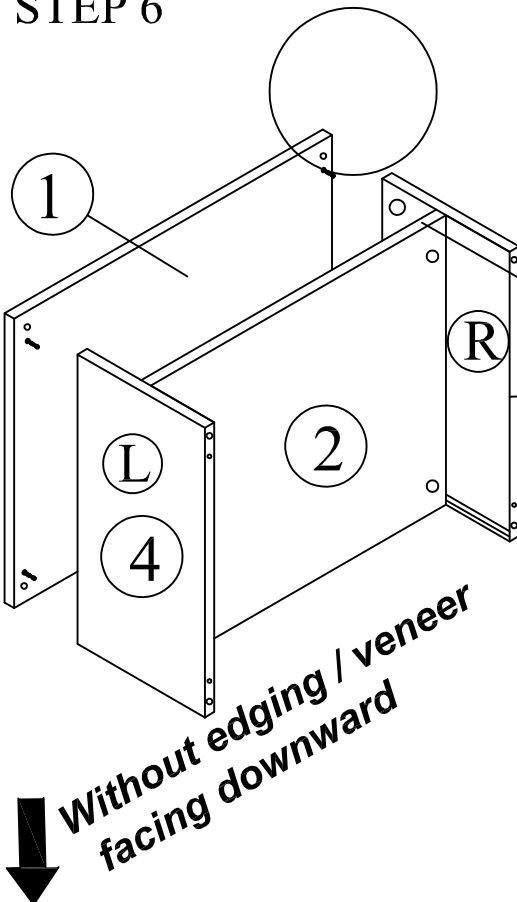


The head of the mini fix housing goes into the open mouth of the mini fix bolt. You then turn the mini fix housing so it tightens over the mini fix bolt.



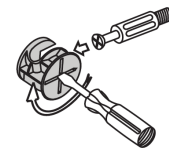
*\*Attach Minifix Cap as shown.*

## STEP 6

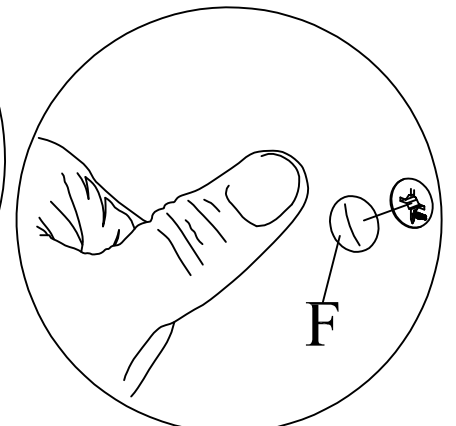
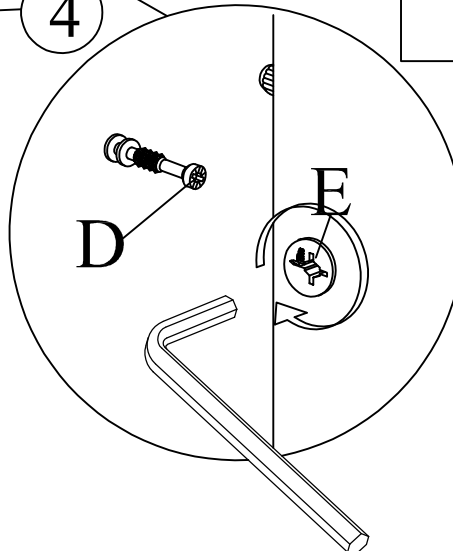


Attach the Top Panel (Part 1) to the Left and Right Side Panel (Part 4) as shown. Turn the Minifix House (E) to tighten using the Allen Key. Cover the Minifix House using the Minifix Cap (F) by pressing it into the Minifix House.

This is how a mini fix works...



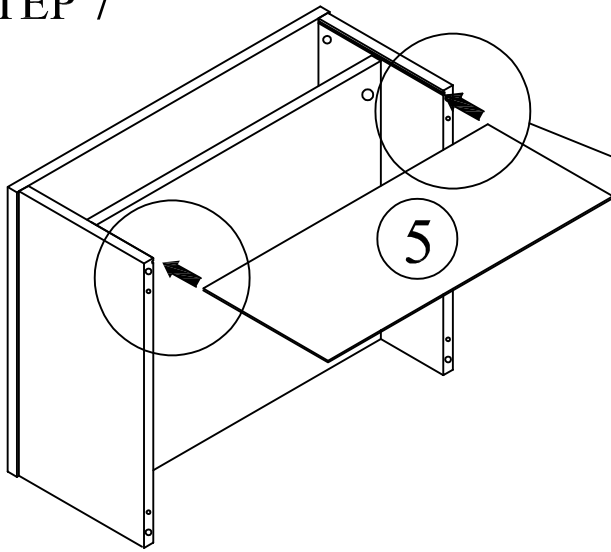
The head of the mini fix housing goes into the open mouth of the mini fix bolt. You then turn the mini fix housing so it tightens over the mini fix bolt.



*\*Attach Minifix Cap as shown.*

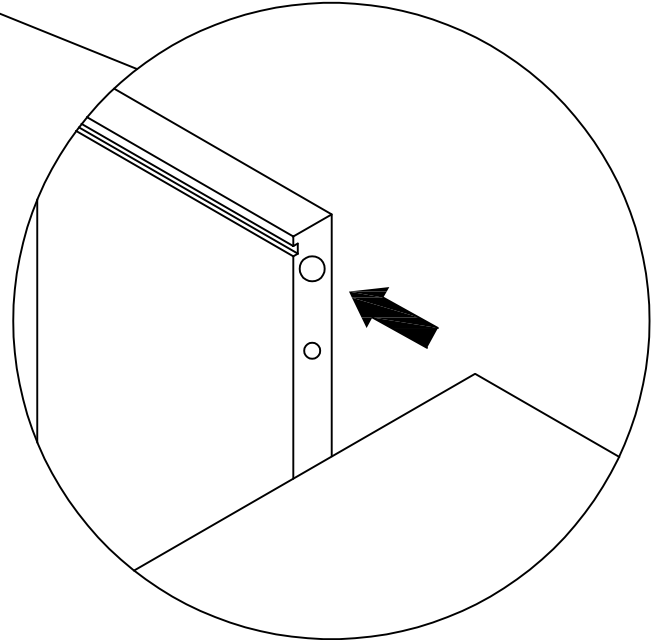
# ASSEMBLY INSTRUCTIONS

## STEP 7

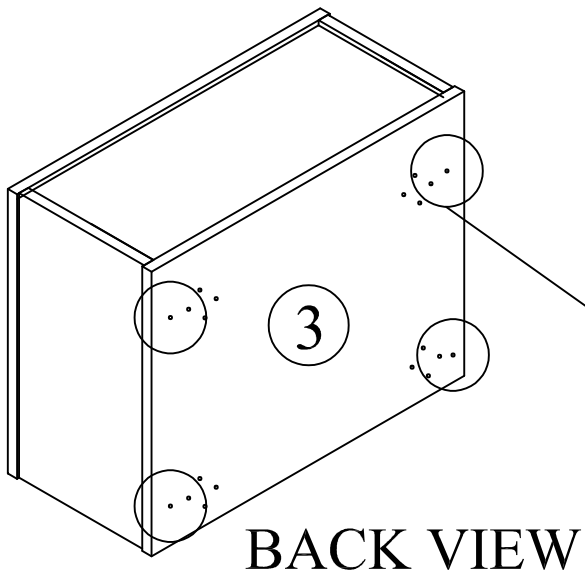


BACK VIEW

Insert the Back Panel (Part 5) into the back of the nightstand by sliding the Back panel into the slots provided.

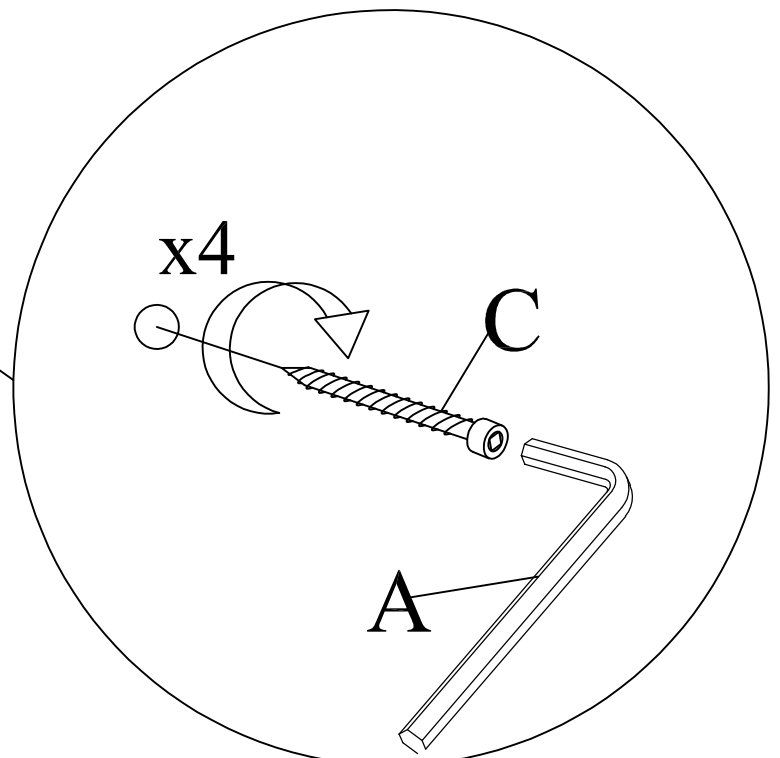


## STEP 8



BACK VIEW

Attached the Bottom Panel (Part 3) to the bottom of the Nightstand using 4 JCBC W 40mm screws. Tighten using Allen Key (A).

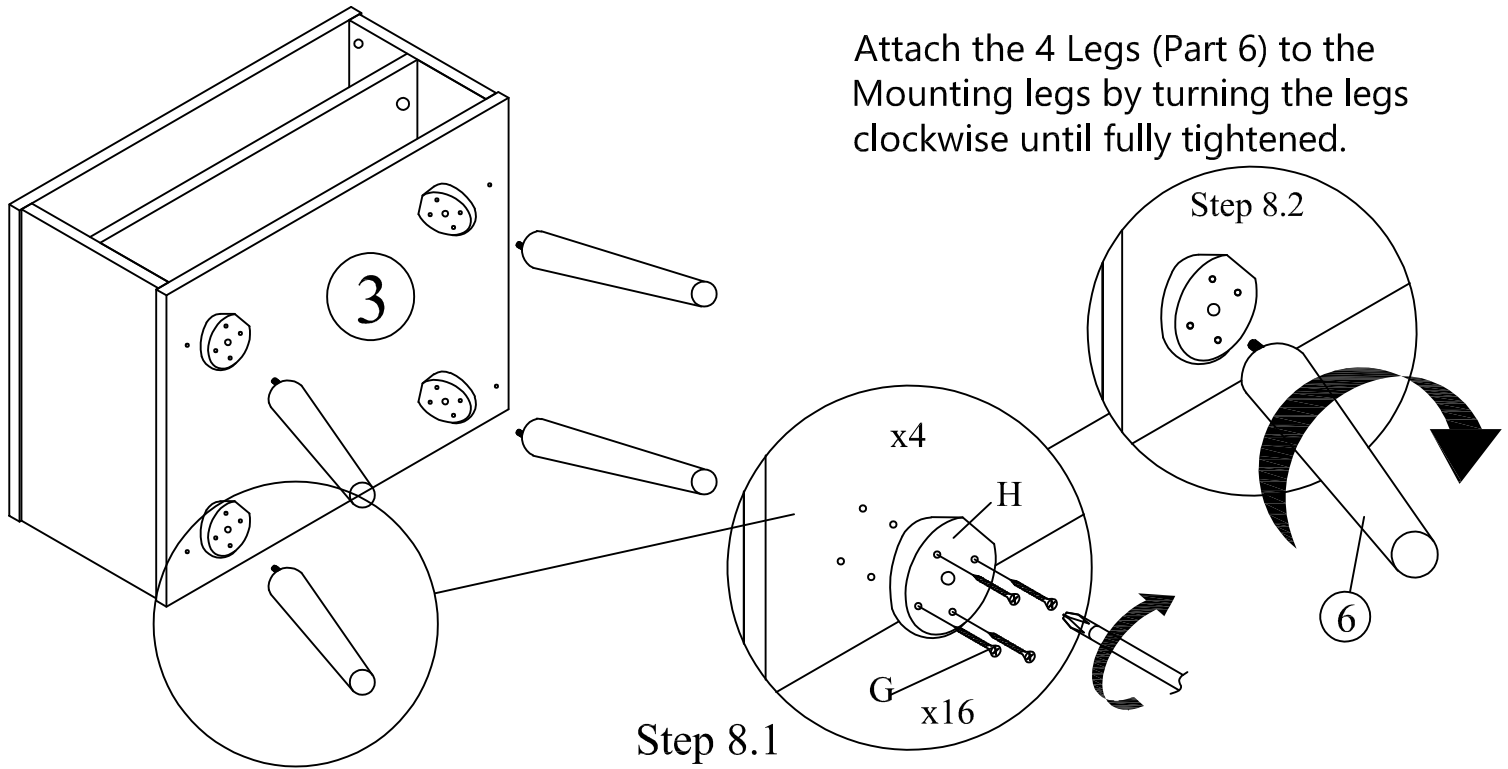


# ASSEMBLY INSTRUCTIONS

## STEP 9

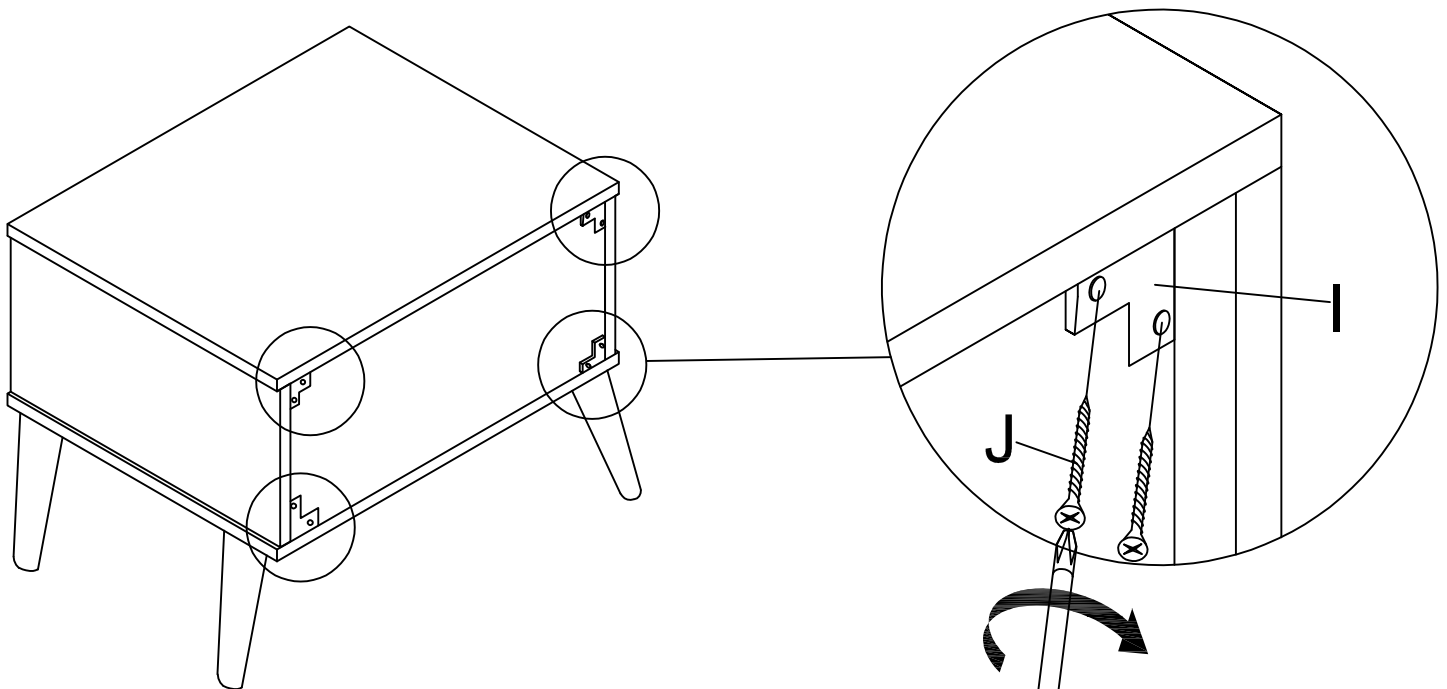
Attach the Mounting Legs H) to the Bottom Panel (Part 3) in the holes provided using 16 20mm Screws (G) and a Phillips Head Screwdriver. Secure the Mounting Legs tightly.

Attach the 4 Legs (Part 6) to the Mounting legs by turning the legs clockwise until fully tightened.



## STEP 10

Attach the L Bracket (I) to the back of the nightstand using 16mm Screws (J) and a Phillips Head Screwdriver as shown.



# ASSEMBLY INSTRUCTIONS

YOUR NIGHTSTAND IS NOW READY FOR USE

