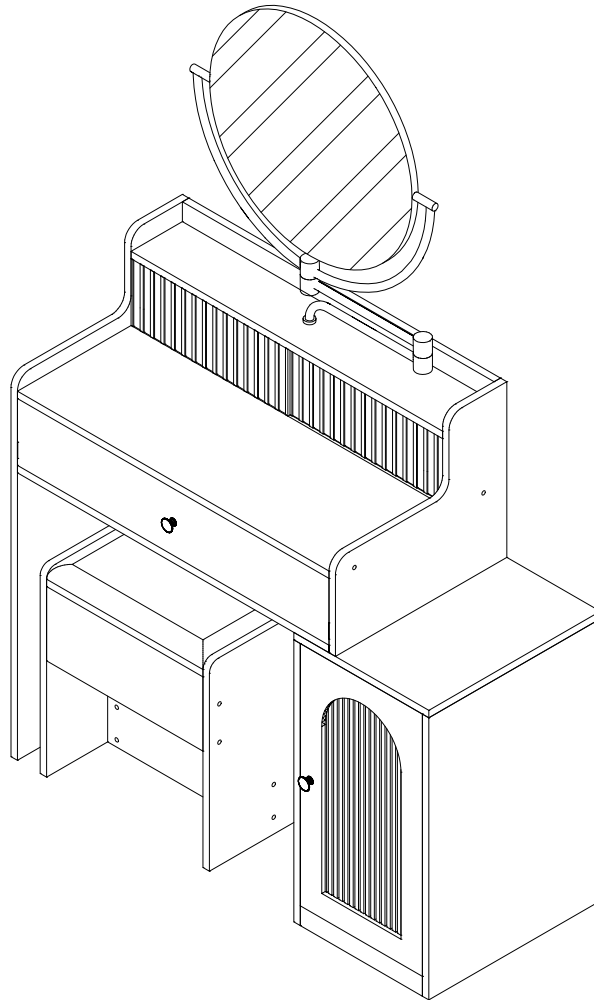


Installation Instruction



THIS INSTRUCTION BOOKLET CONTAINS IMPORTANT SAFETY INFORMATION. PLEASE READ AND KEEP FOR FUTURE REFERENCE.

If there is any reason for anything missing, damaged, incorrect or different from what you expected, please contact us for Technical Support. In order to improve efficiency, please describe the problem in detail and attach the relevant photos for us to check. Thank you for your understanding!

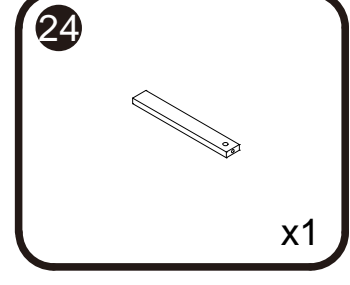
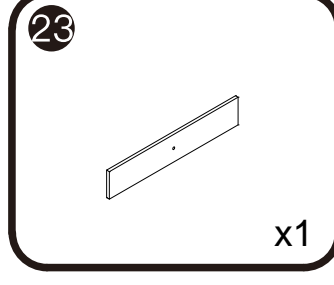
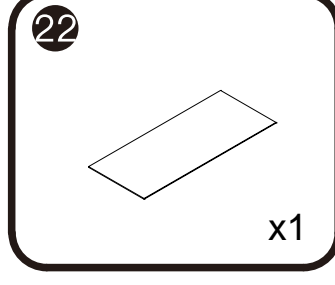
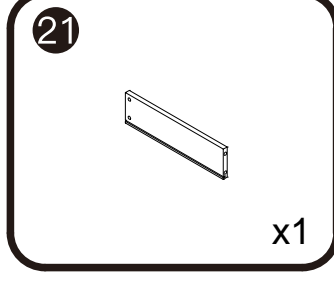
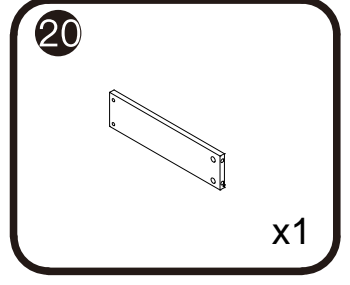
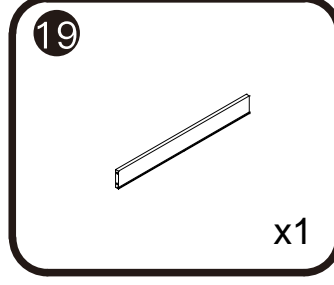
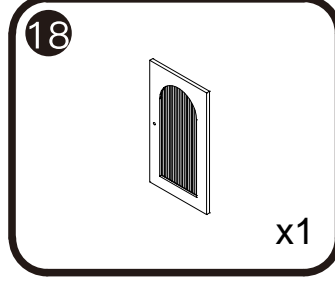
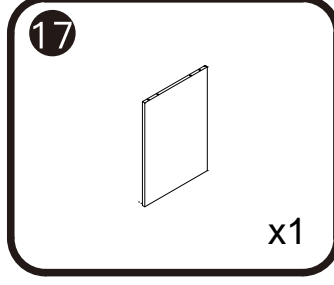
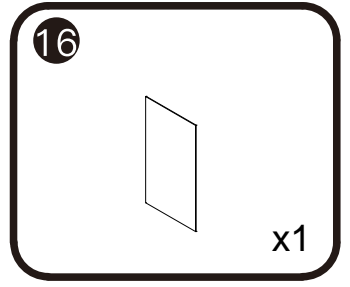
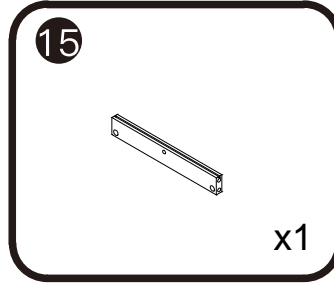
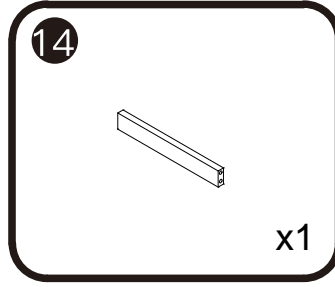
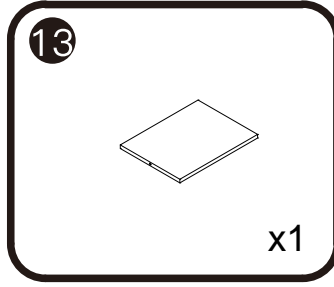
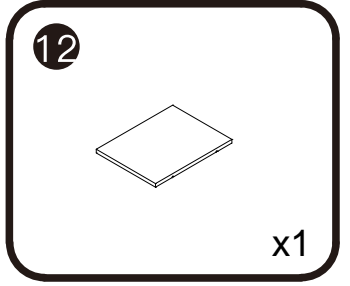
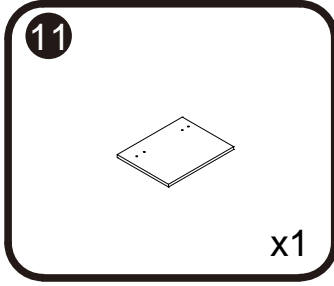
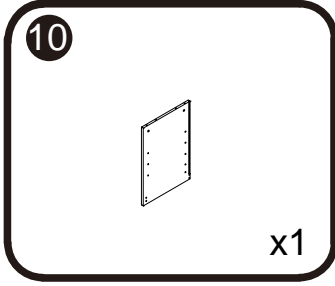
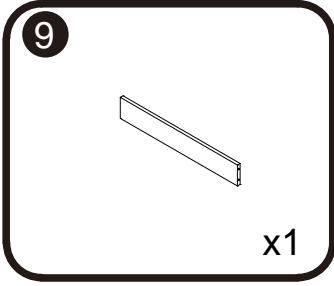
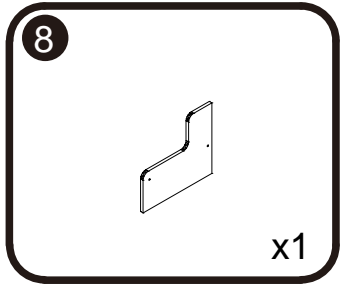
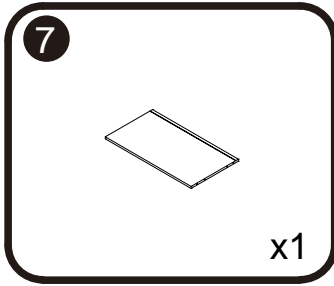
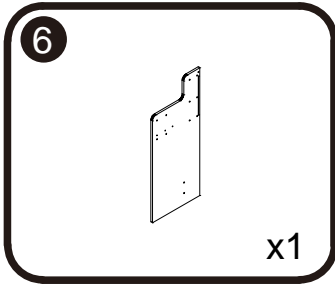
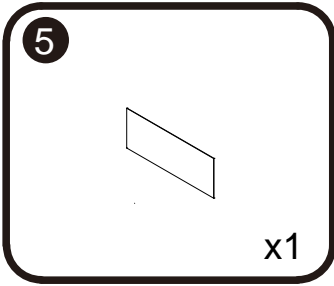
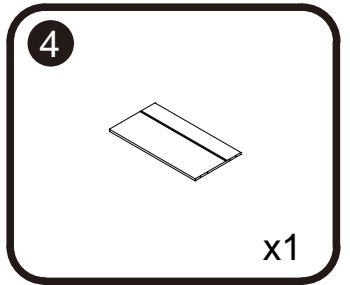
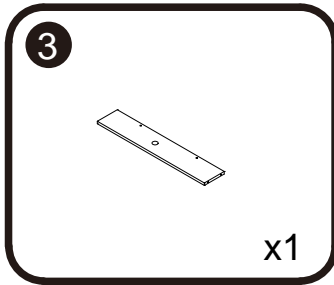
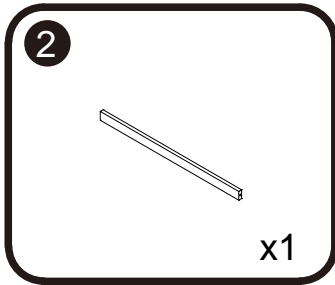
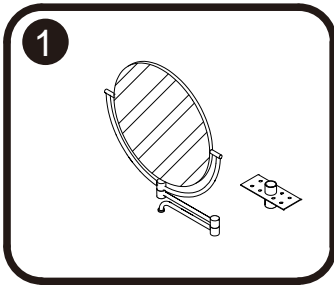
Technical Support

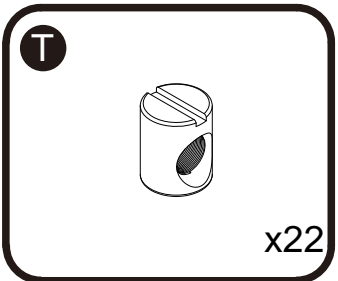
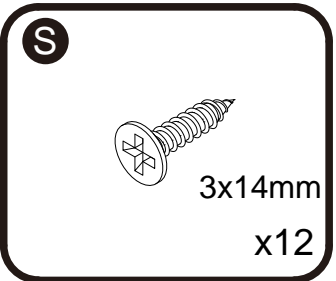
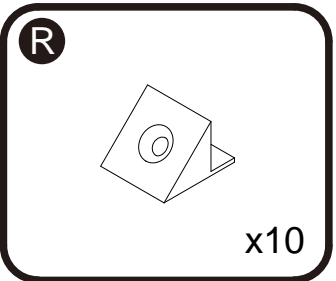
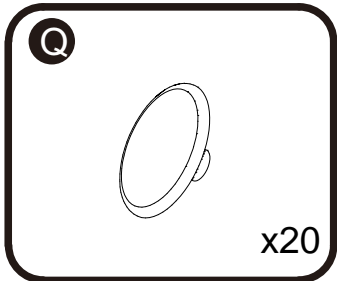
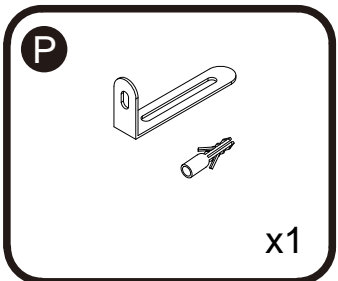
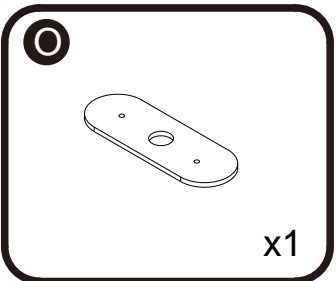
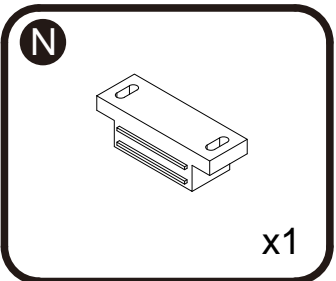
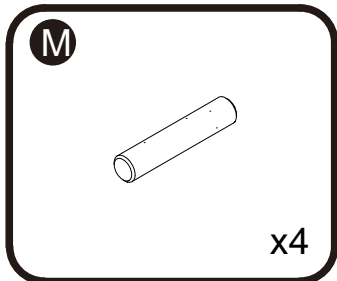
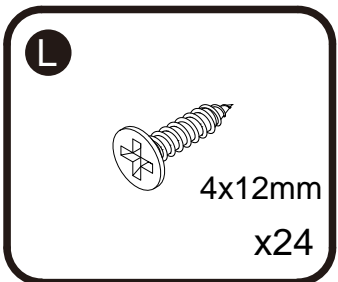
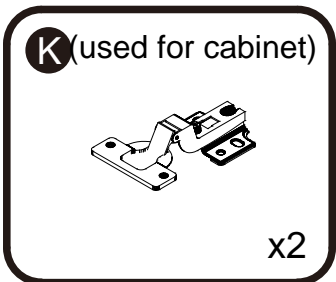
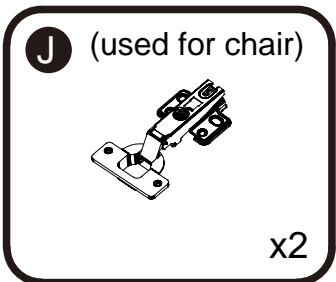
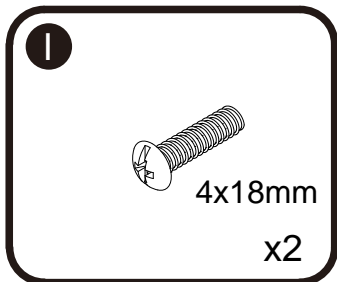
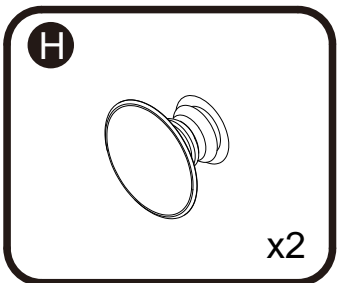
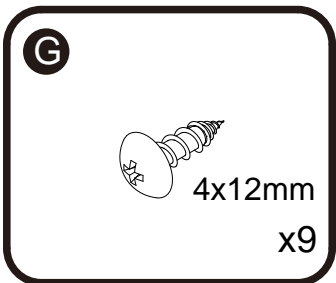
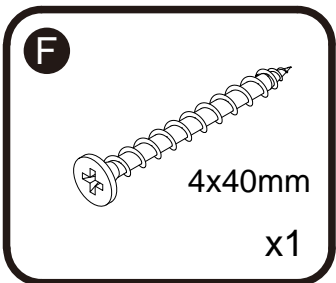
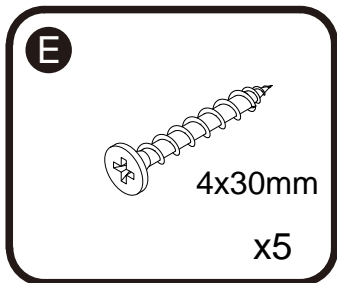
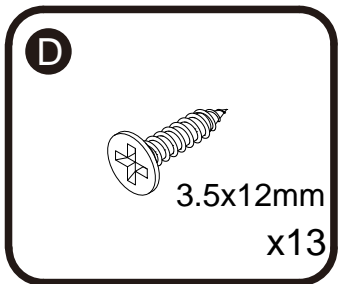
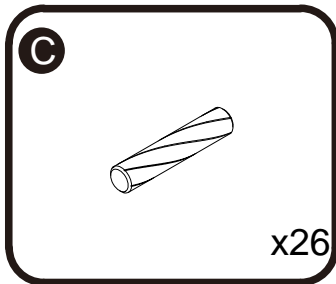
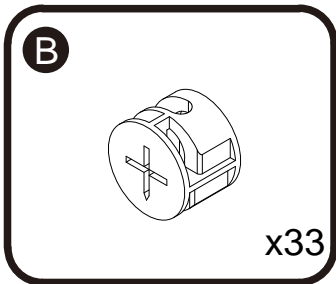
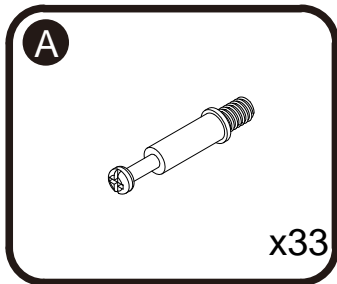
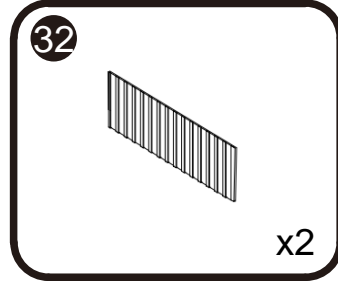
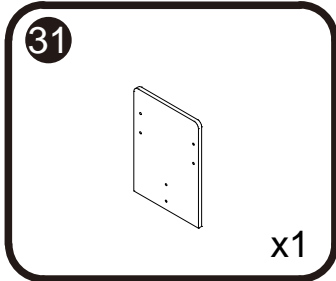
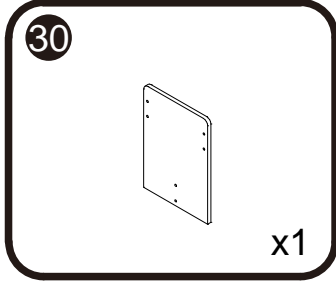
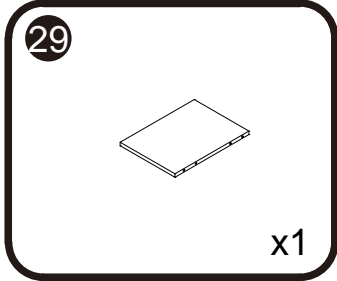
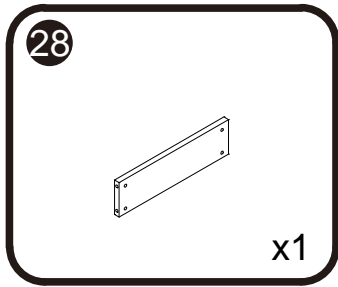
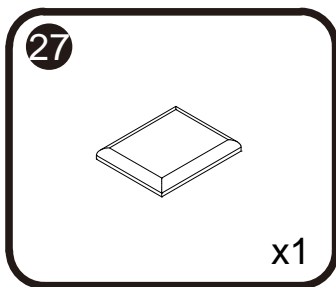
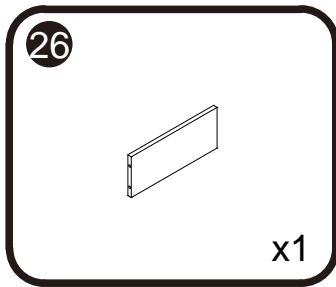
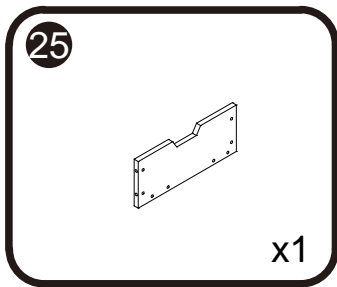
service0530@163.com

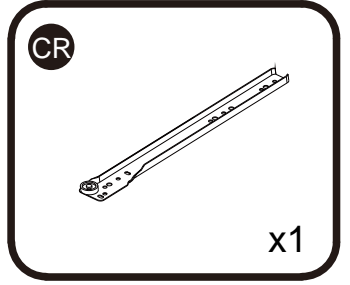
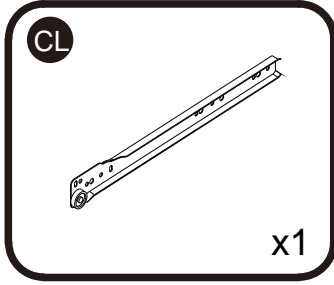
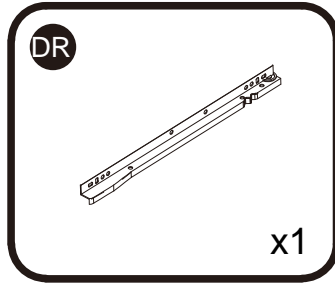
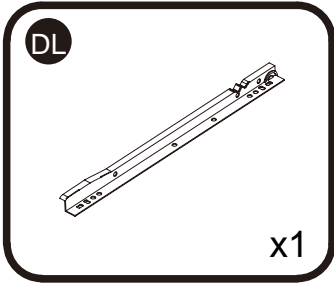
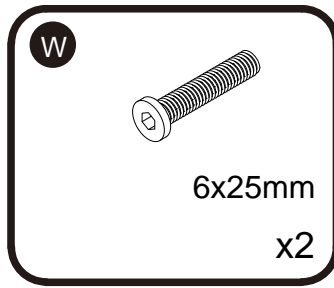
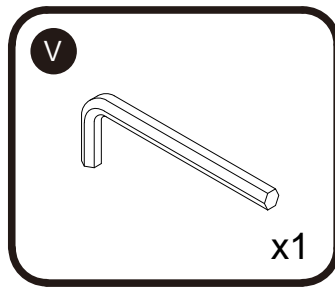
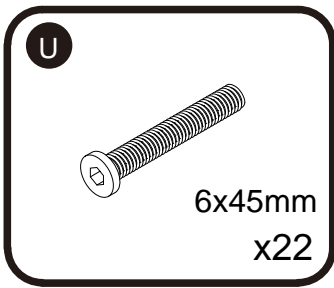
Please check all parts and accessories according to the parts list before assembling, make sure all contents are sufficient and in good condition.

If there is any parts missing or defective, please contact us with purchase platform message immediately to get replacement parts.

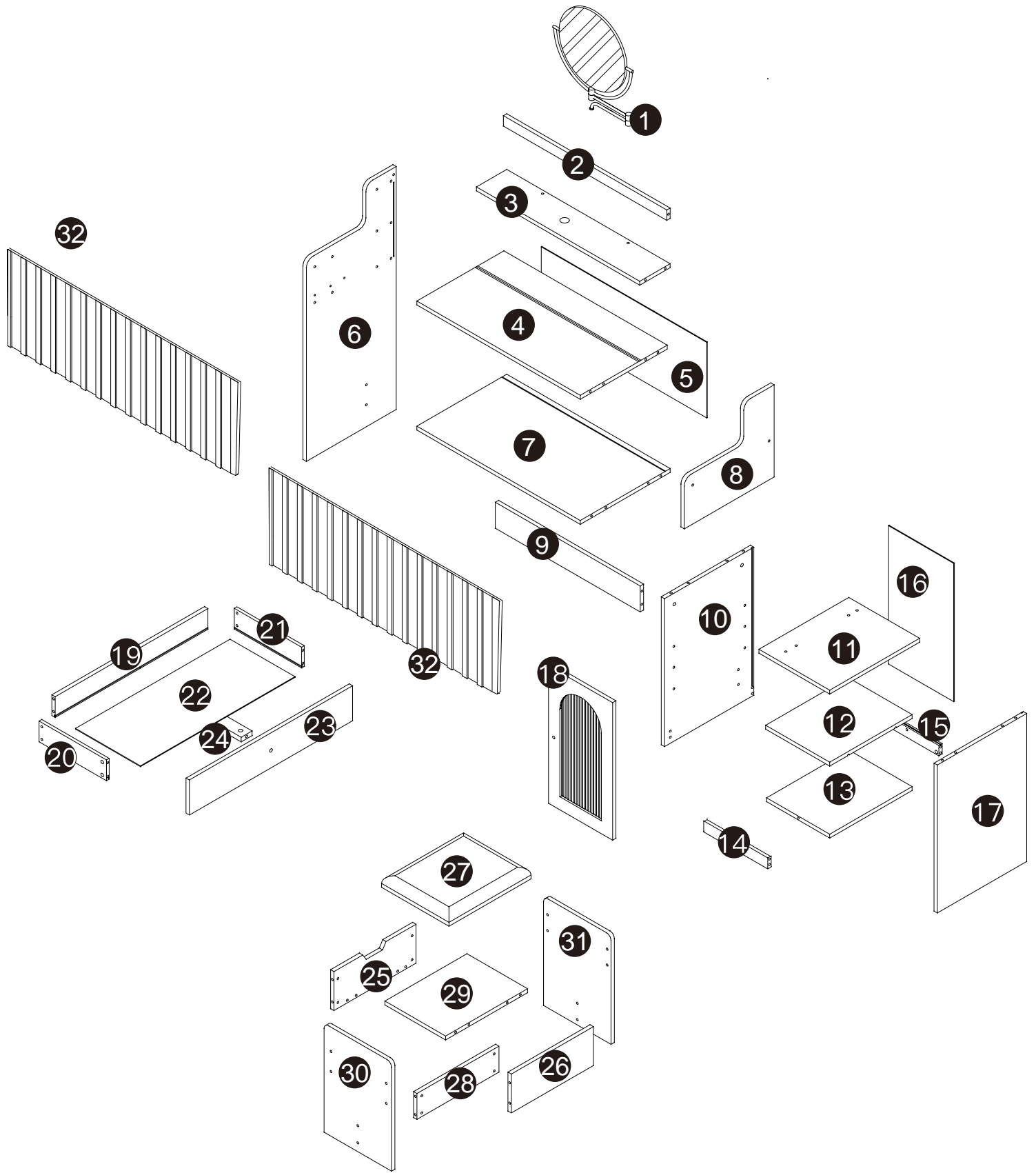
PARTS:



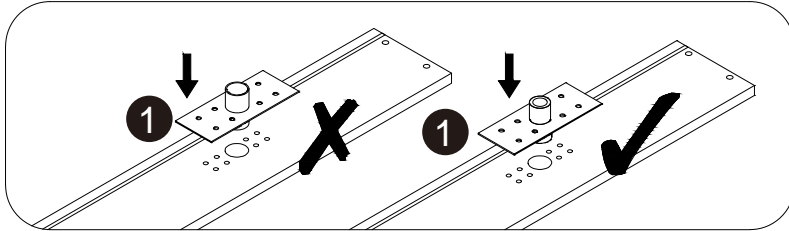
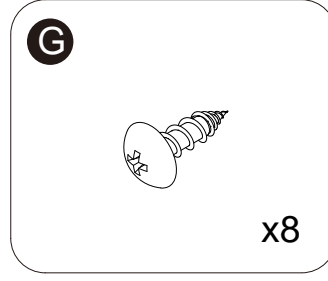
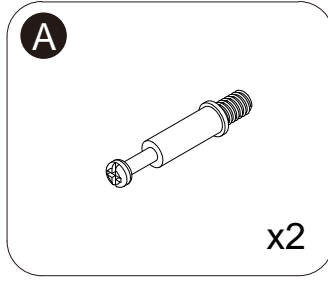
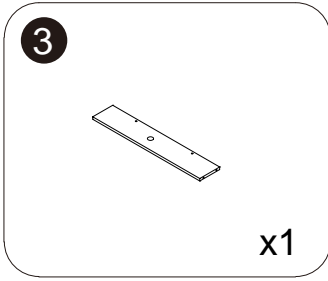




EXPLODED DRAWING:

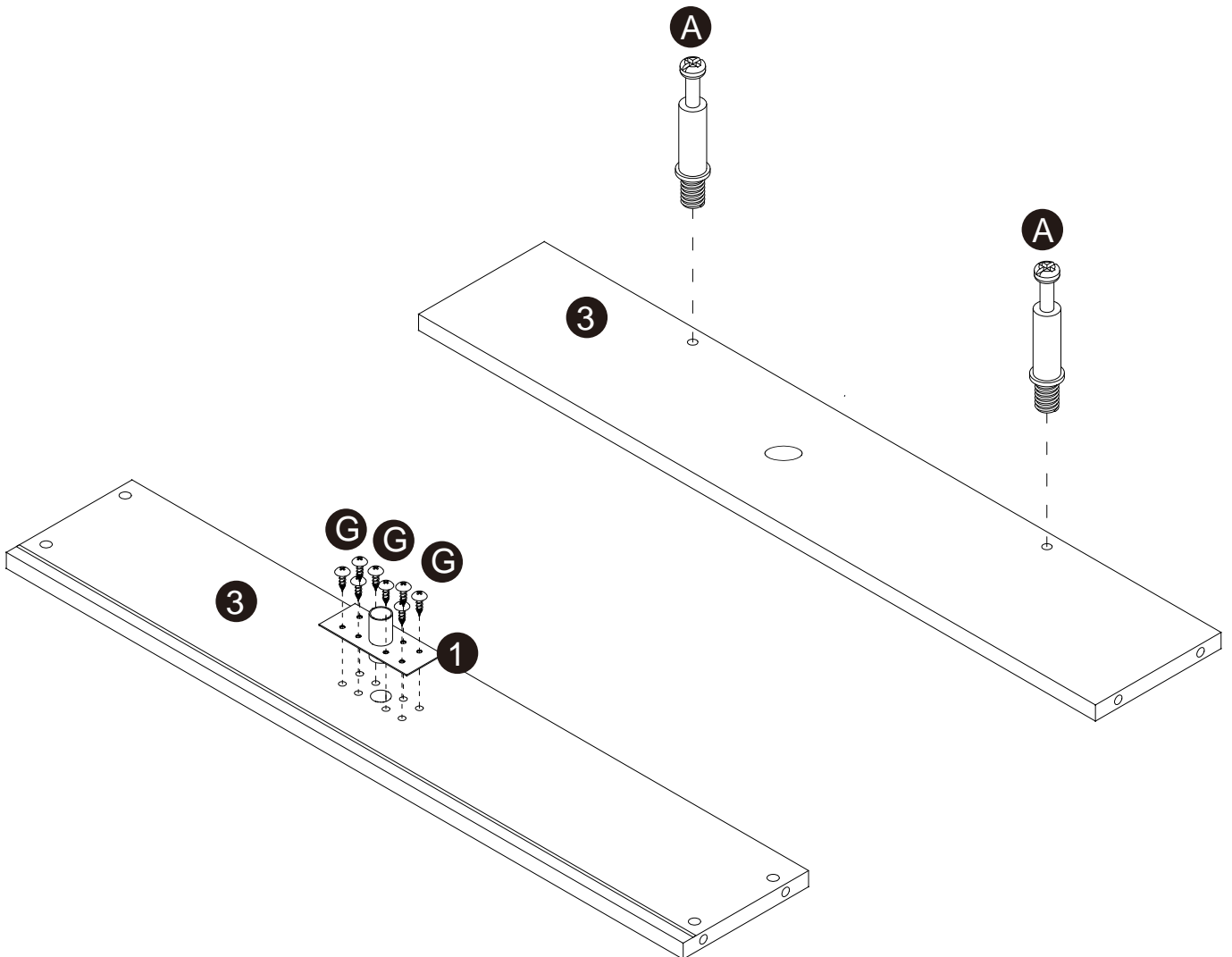


STEP 1

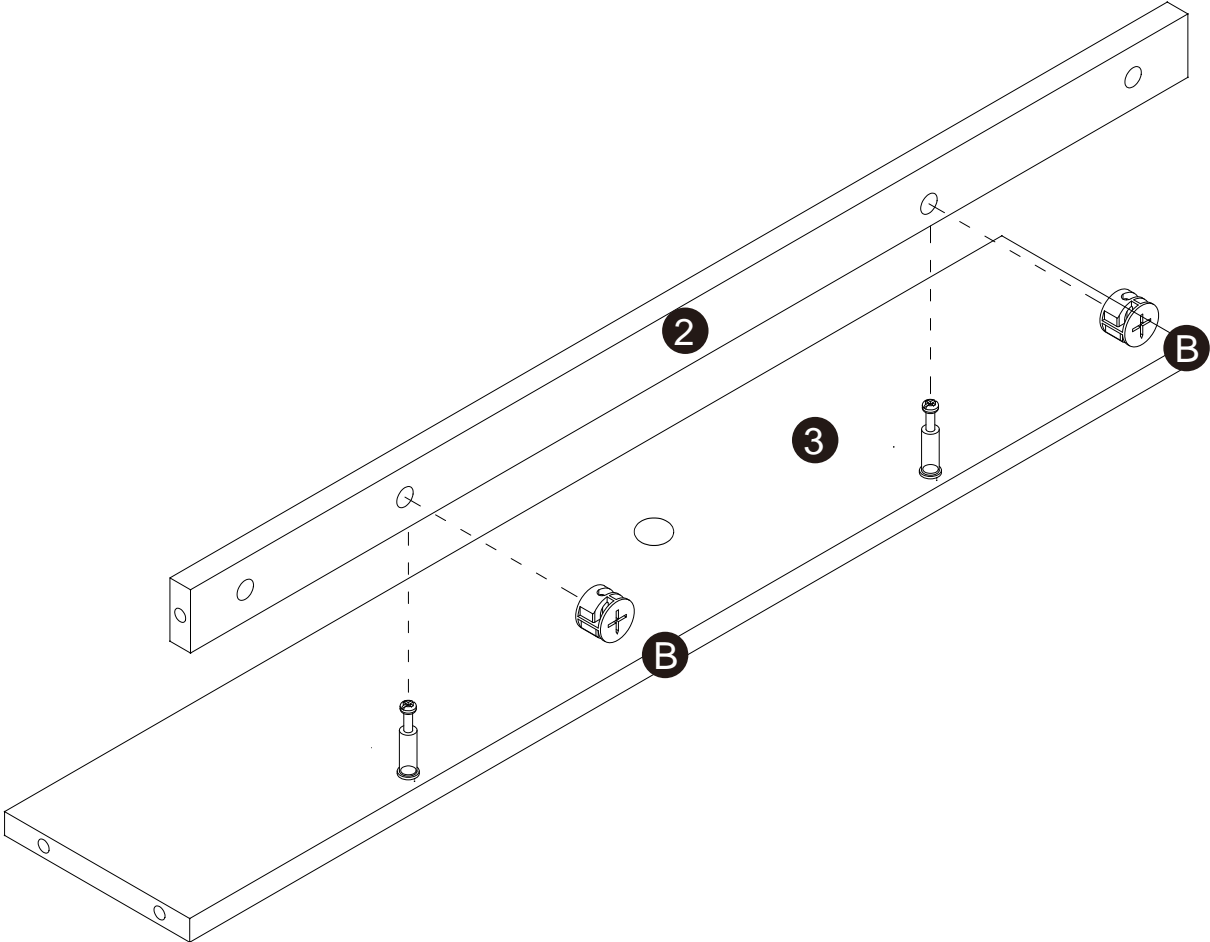
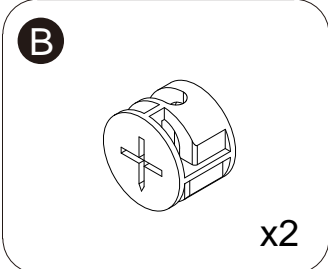
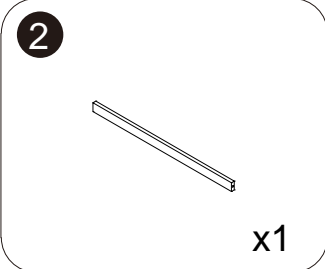


(X) DO NOT UPTURN THE LARGER APERTURE

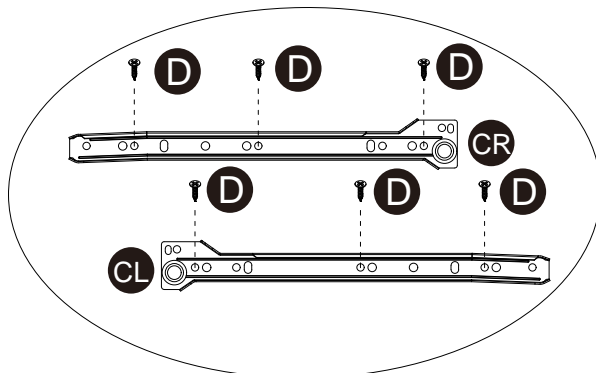
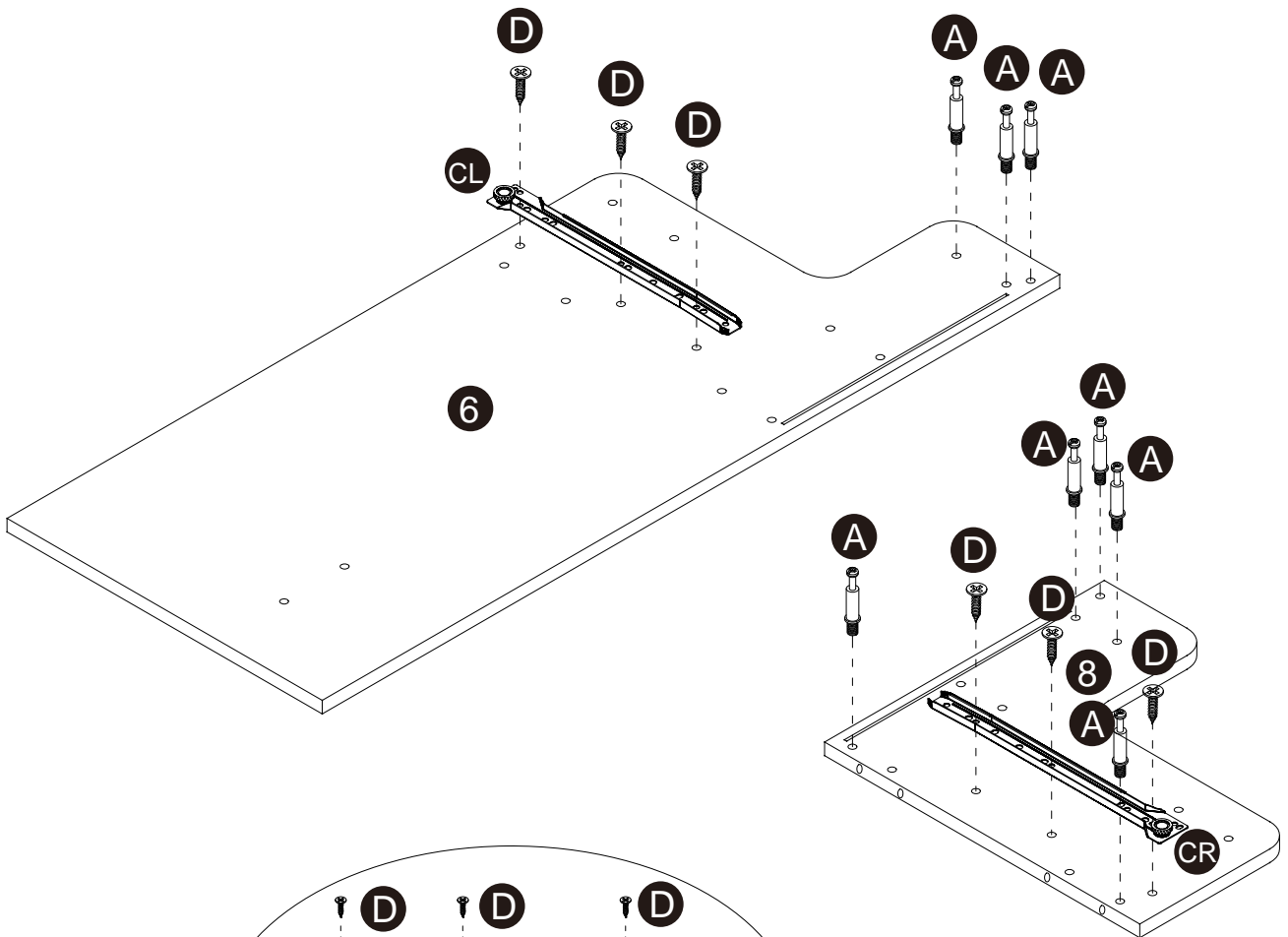
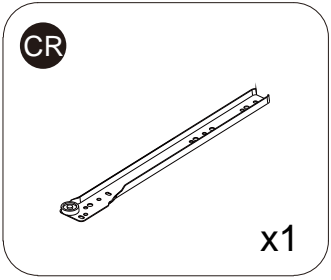
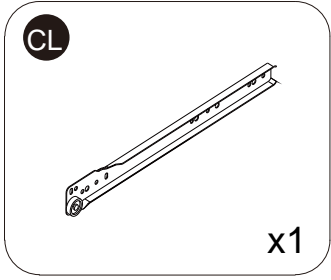
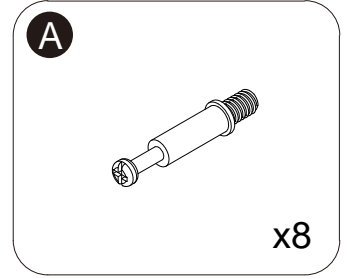
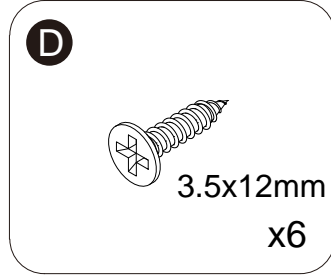
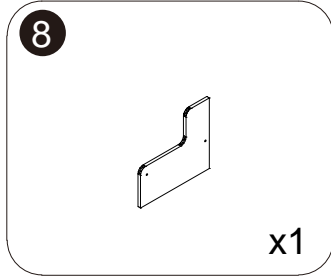
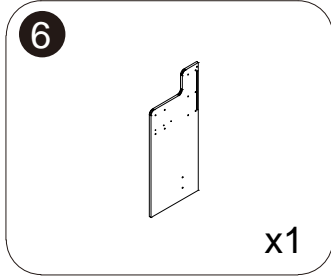
(✓) Upturn the smaller aperture and keep the larger aperture inside the board



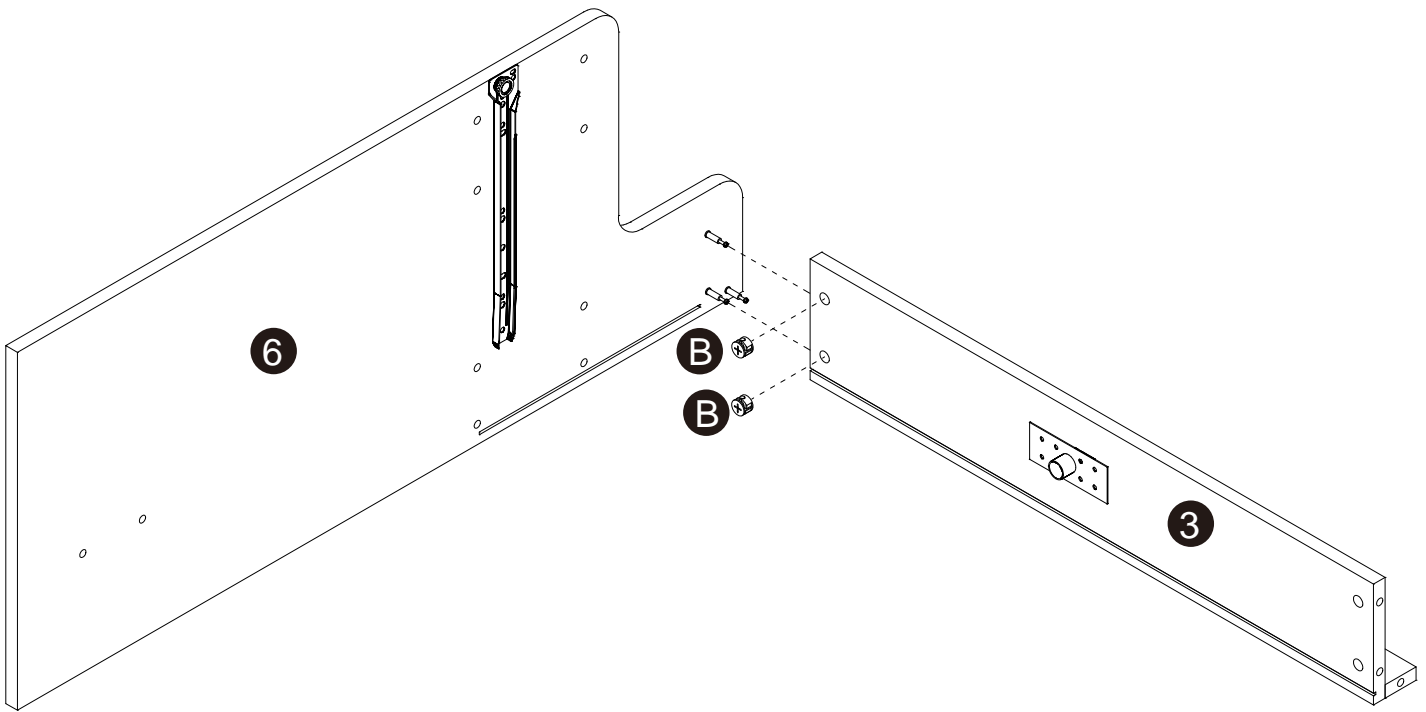
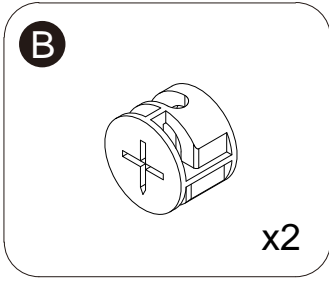
STEP 2



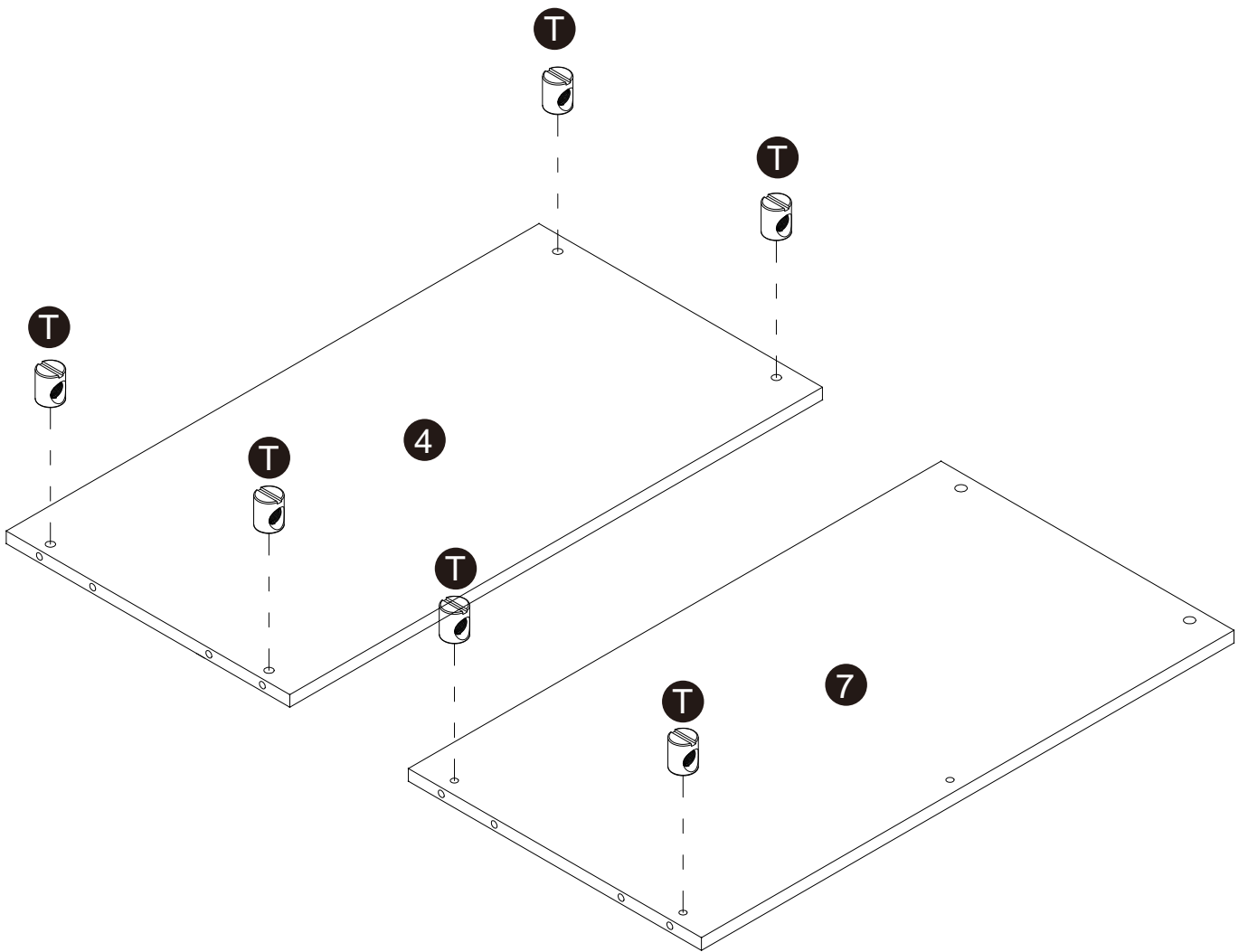
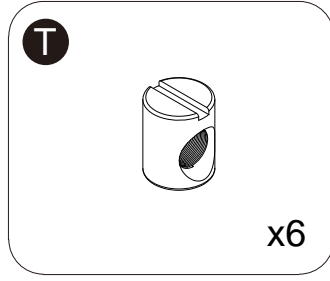
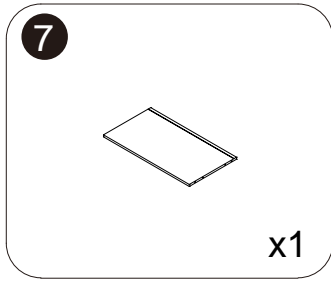
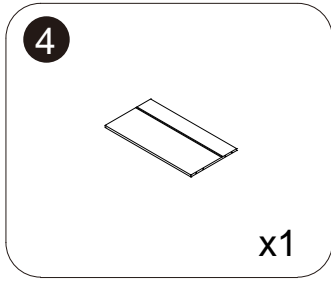
STEP 3



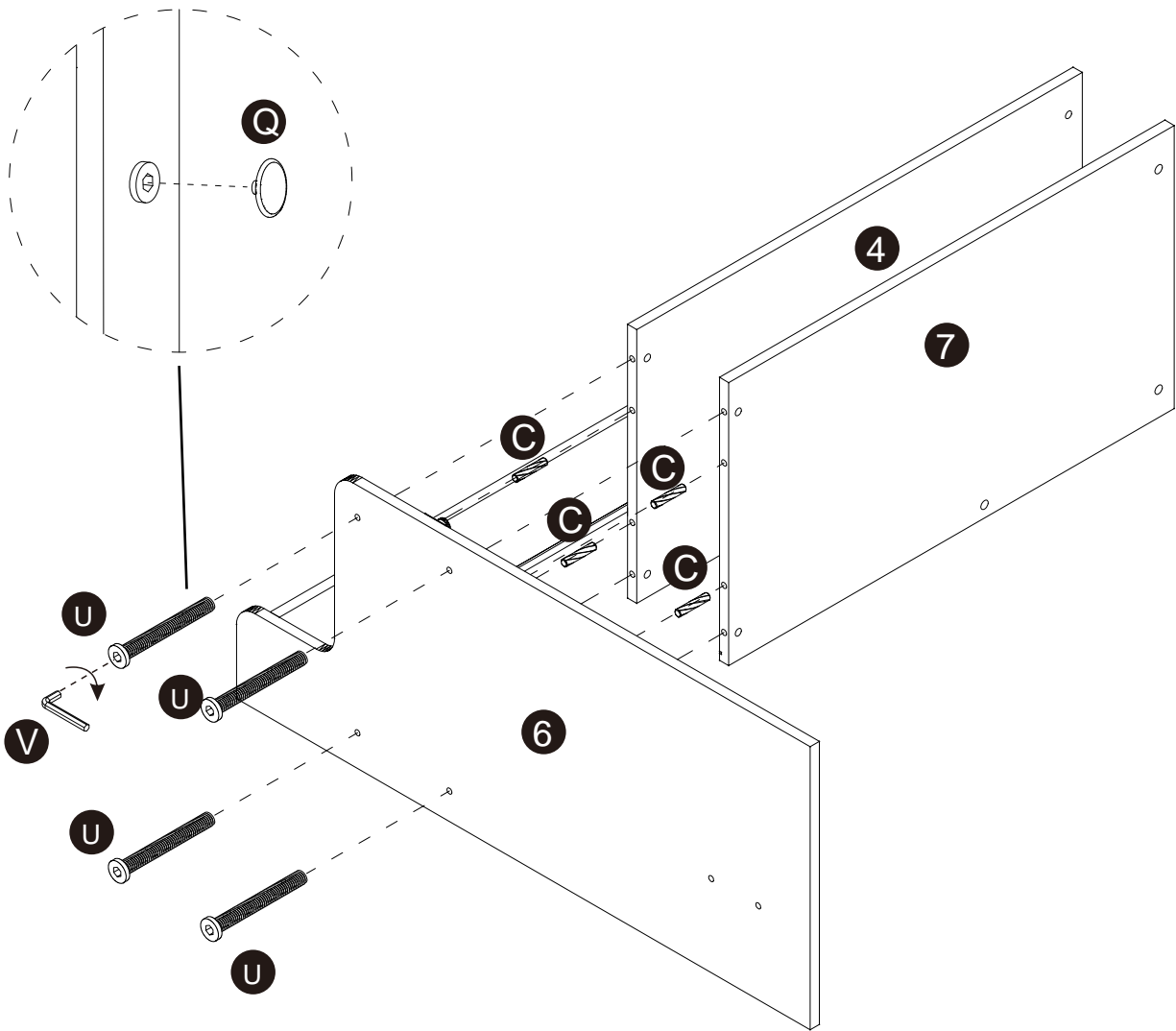
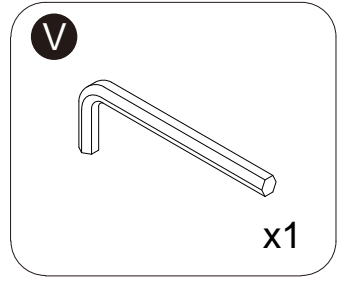
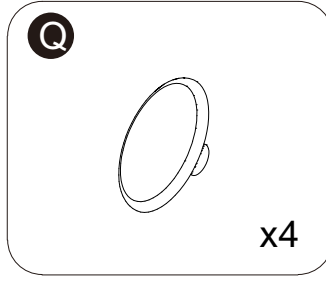
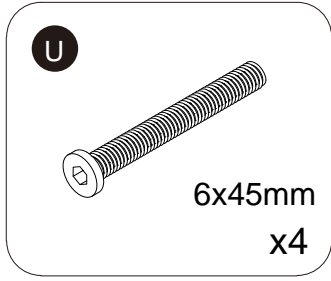
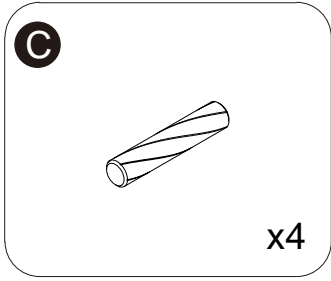
STEP 4



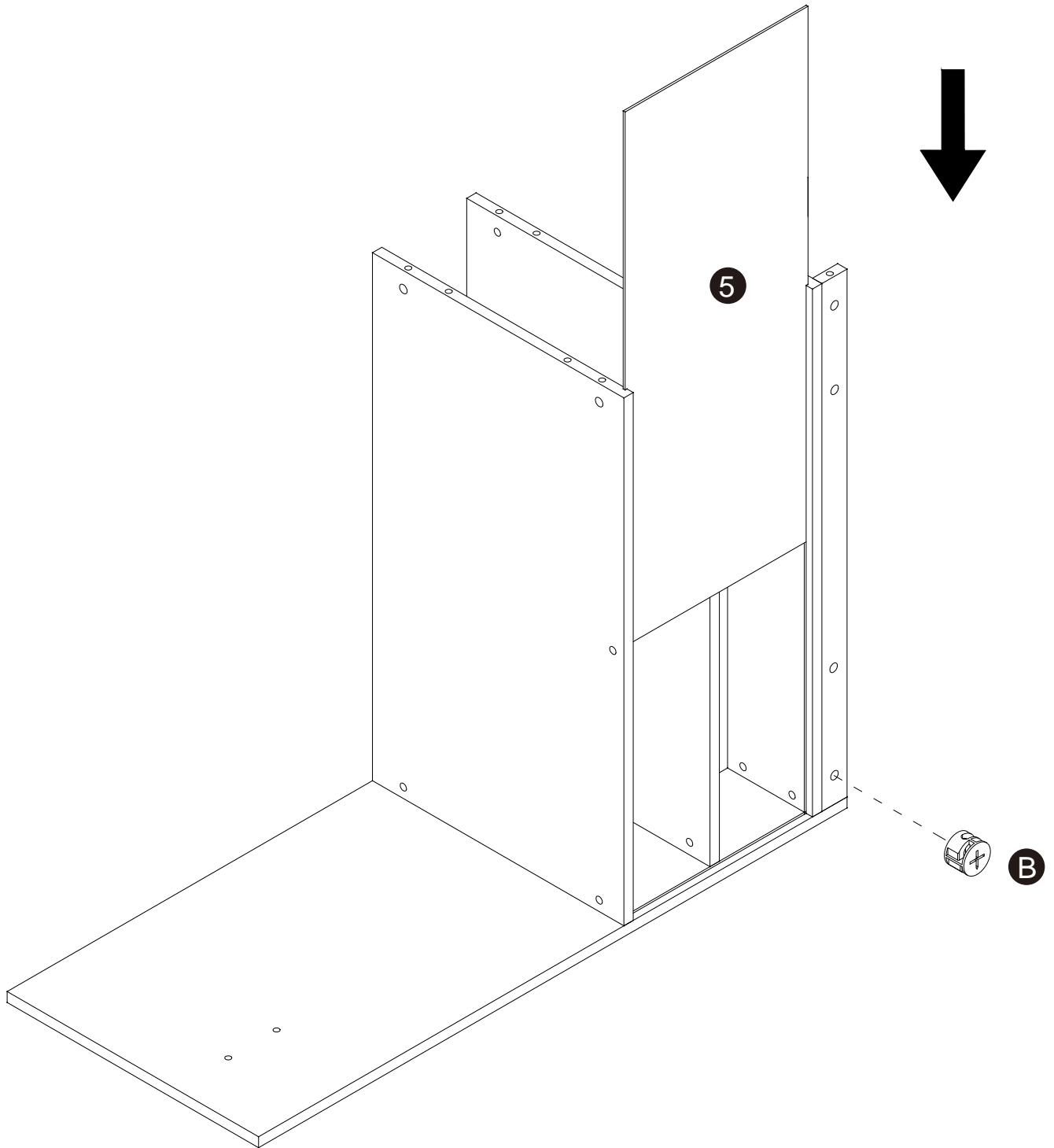
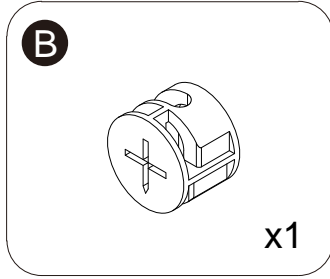
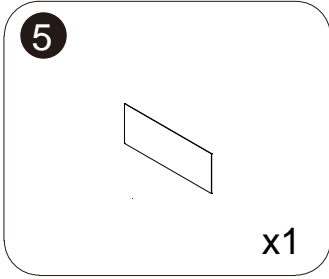
STEP 5



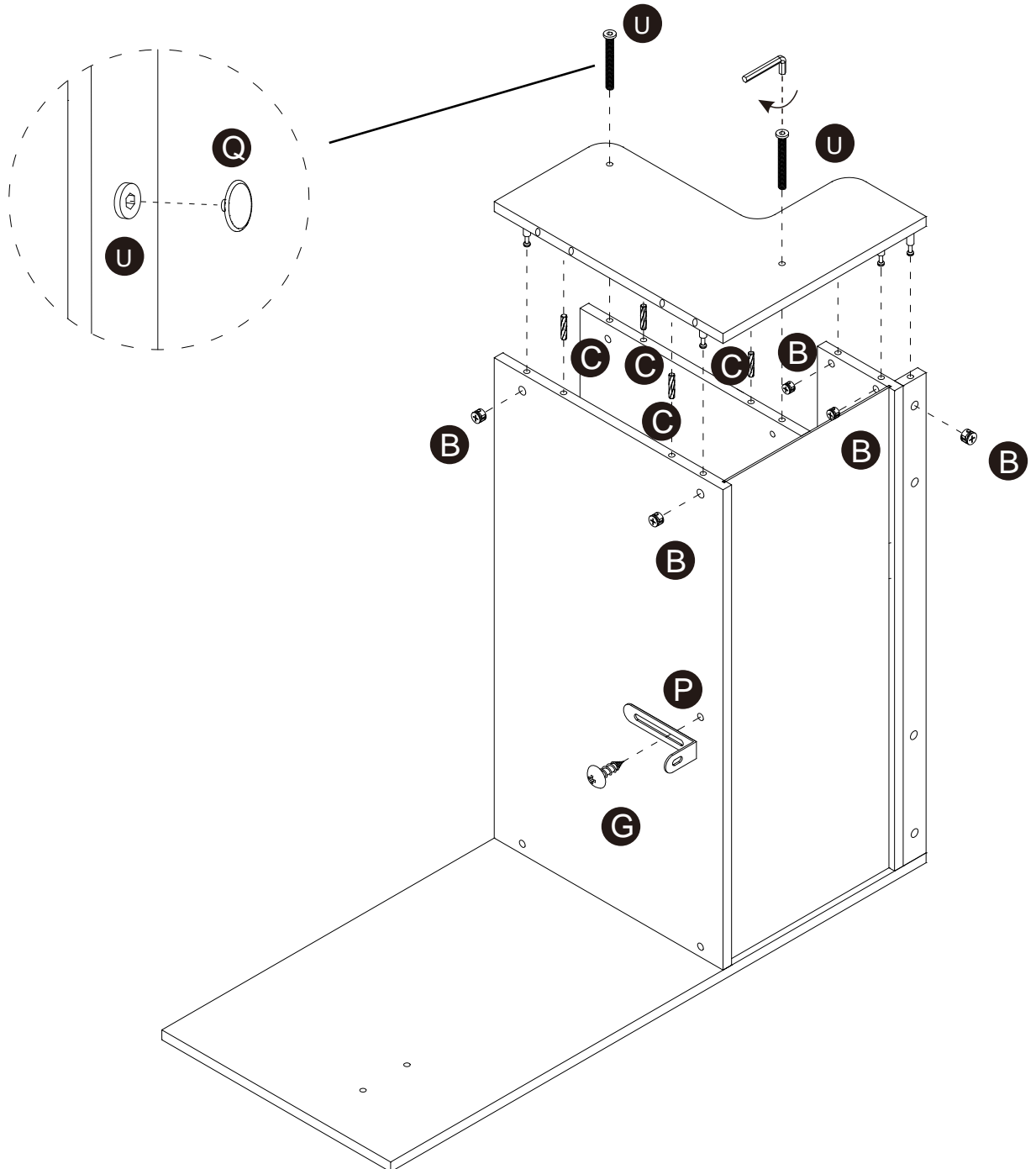
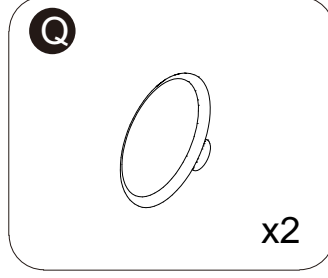
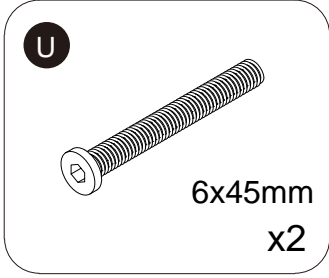
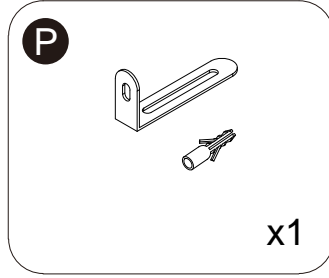
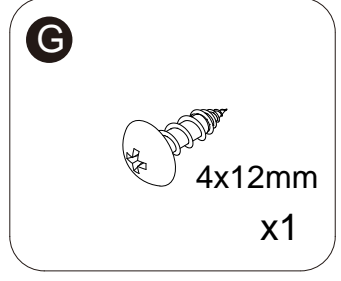
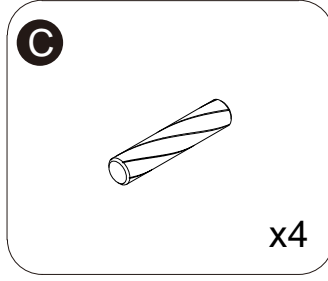
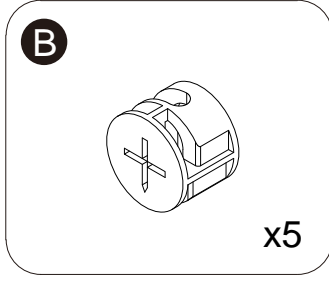
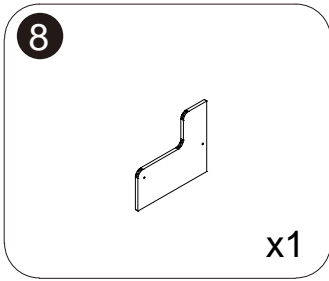
STEP 6



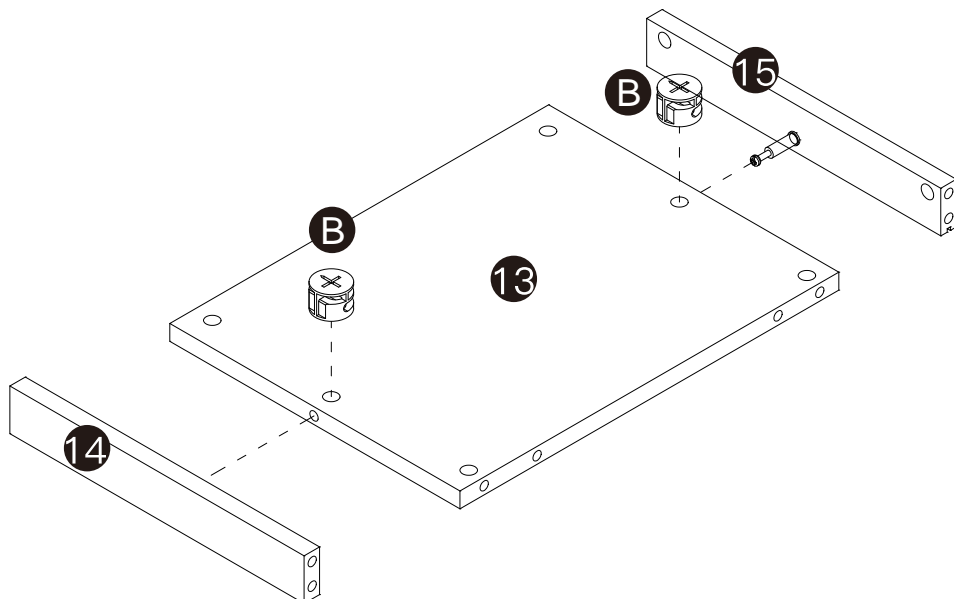
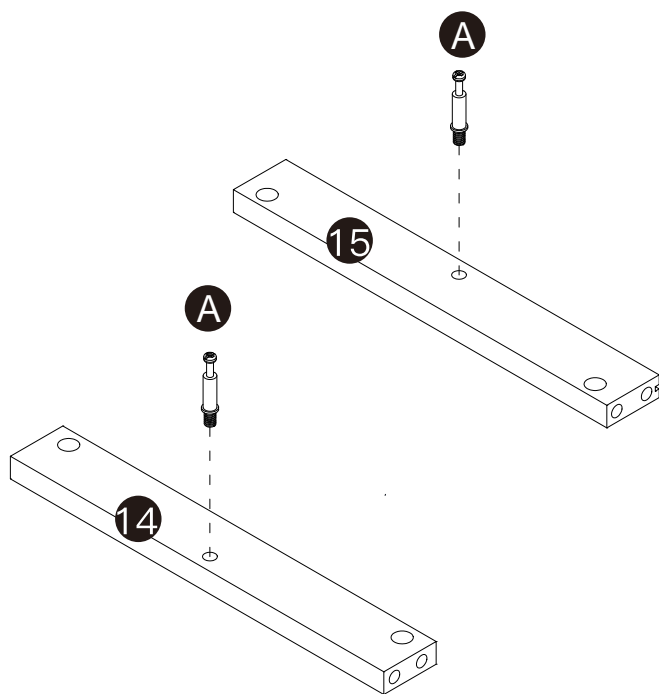
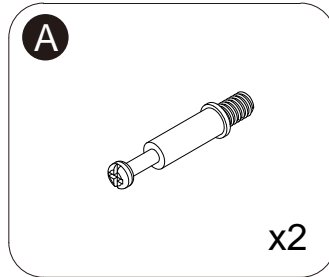
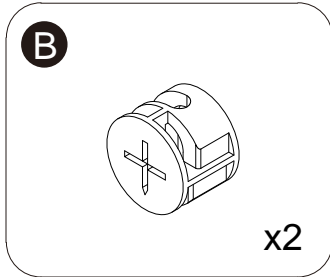
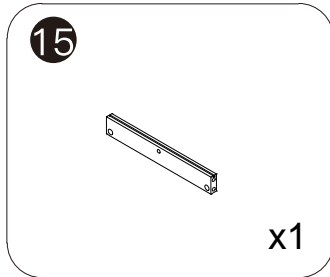
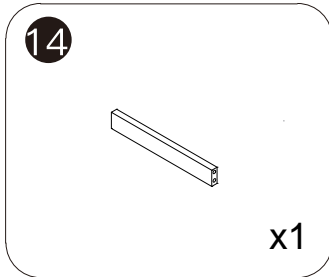
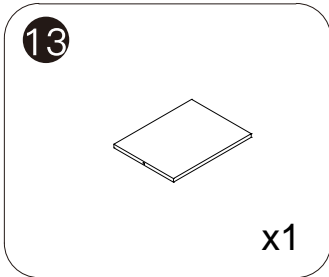
STEP 7



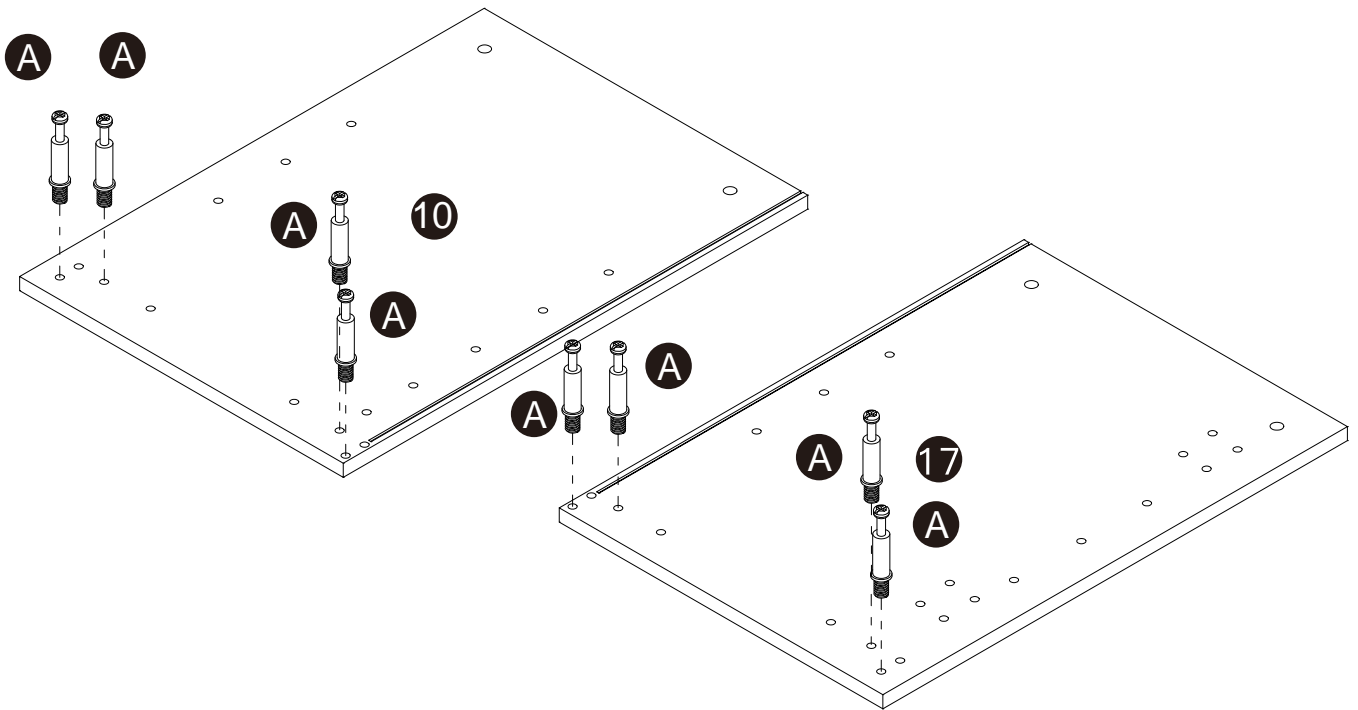
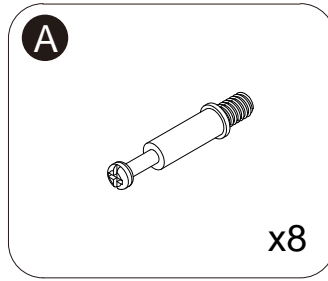
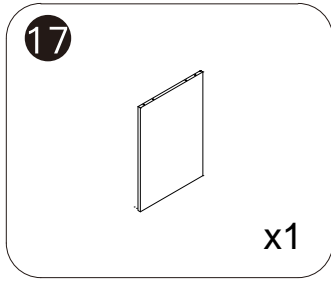
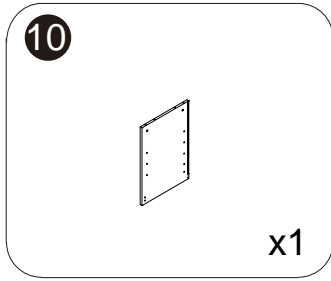
STEP 8



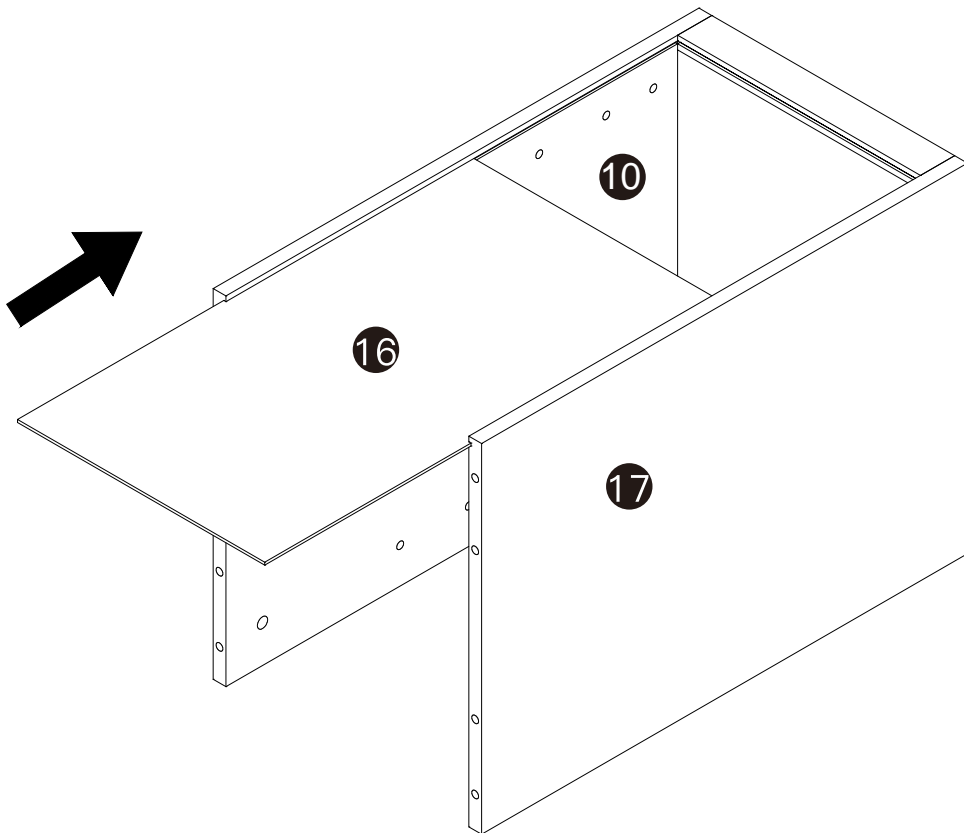
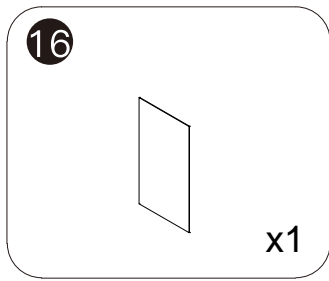
STEP 9



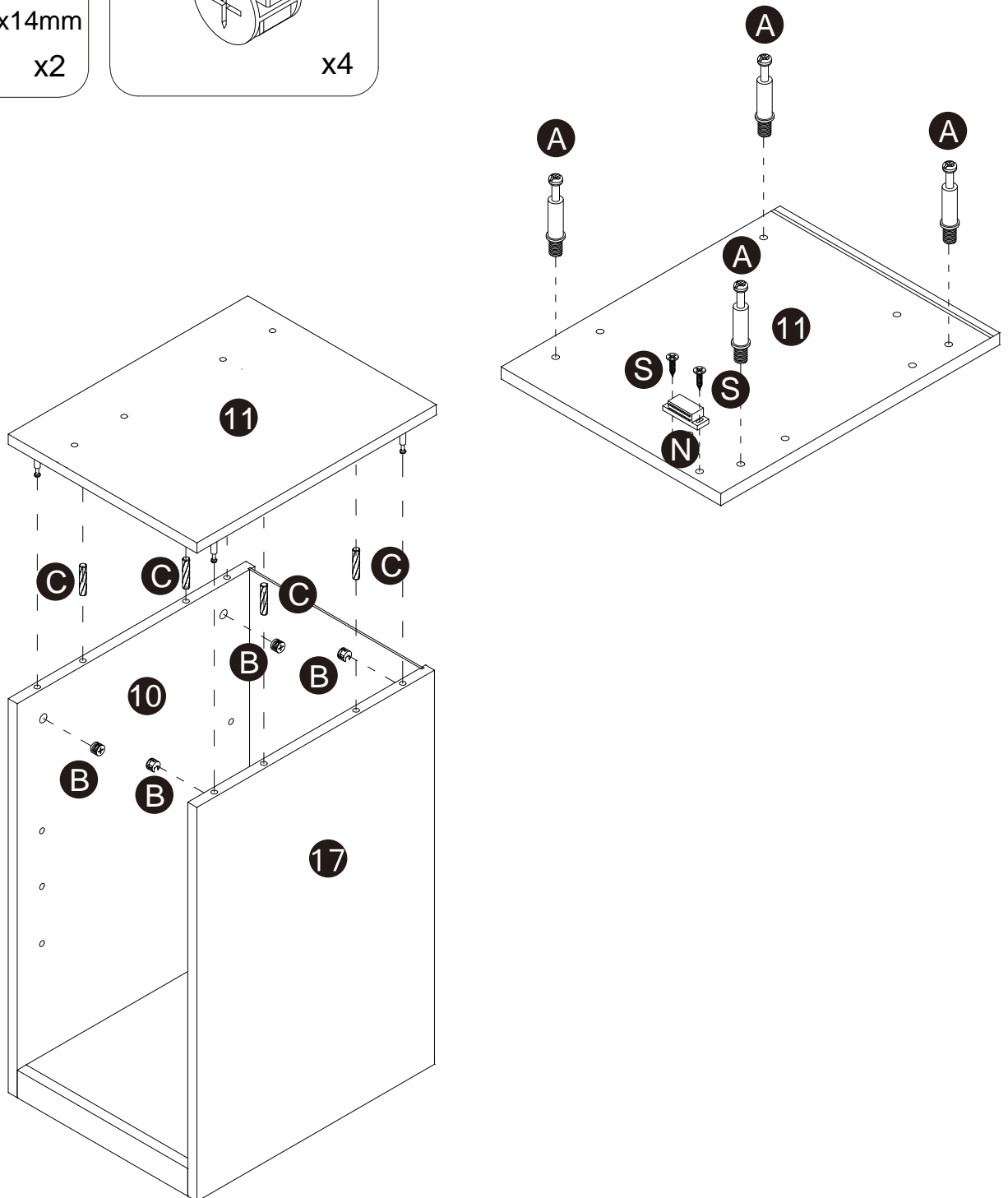
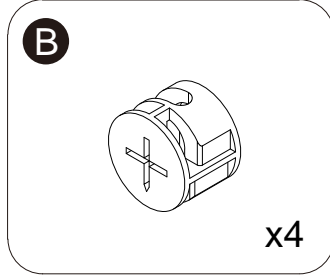
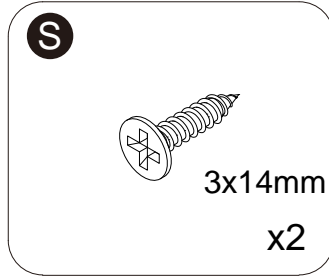
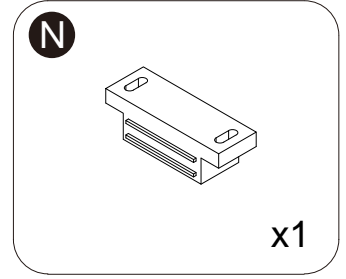
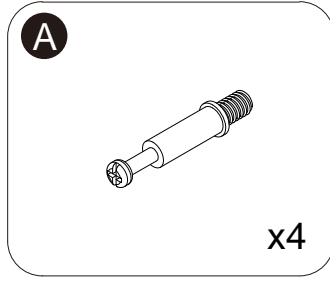
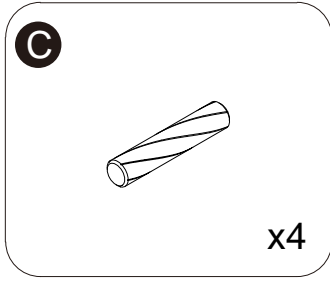
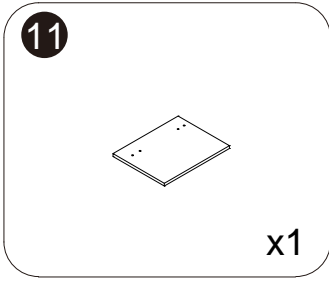
STEP 10



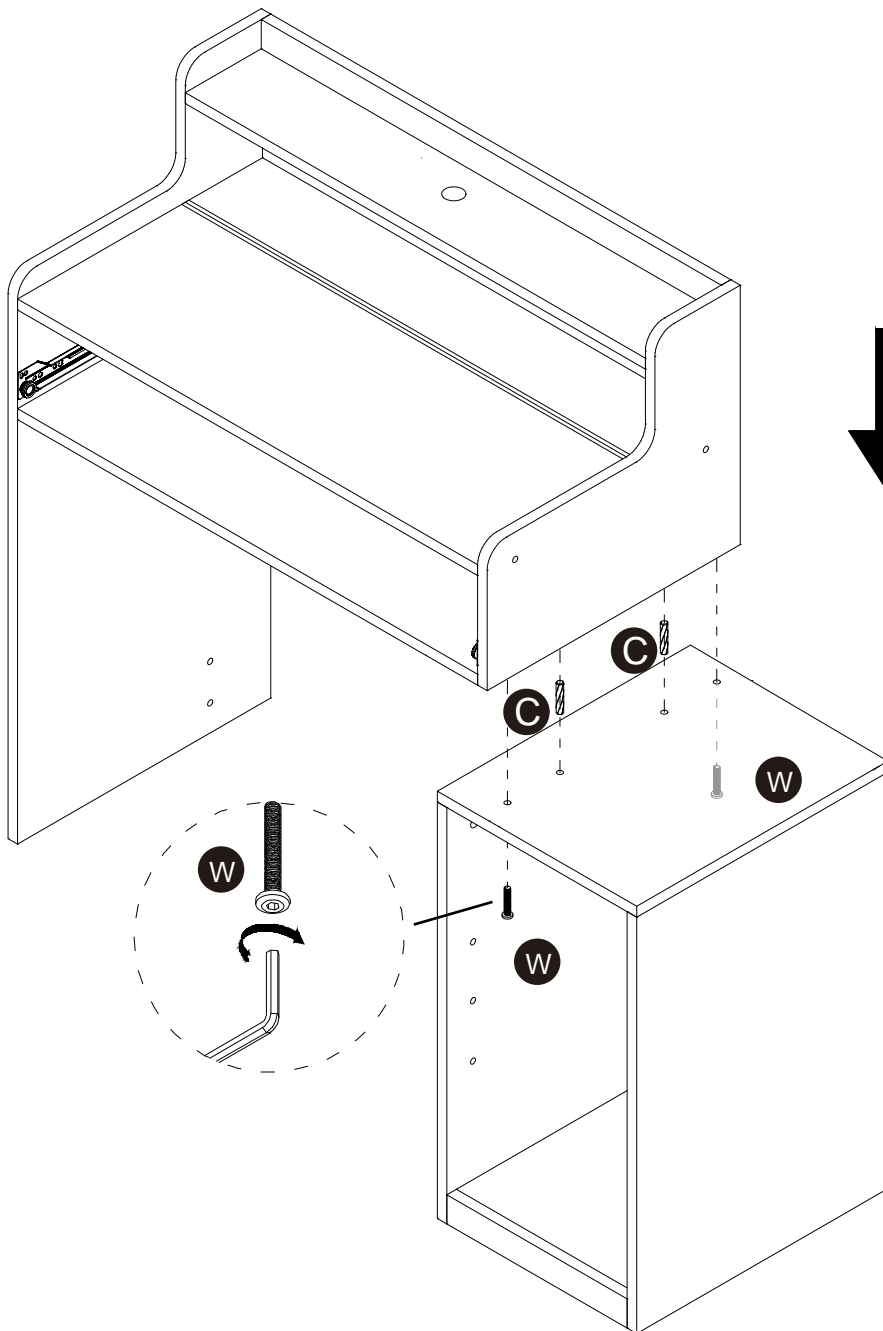
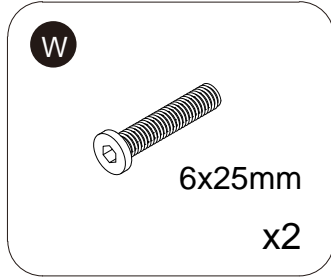
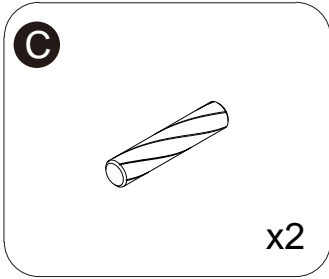
STEP 12



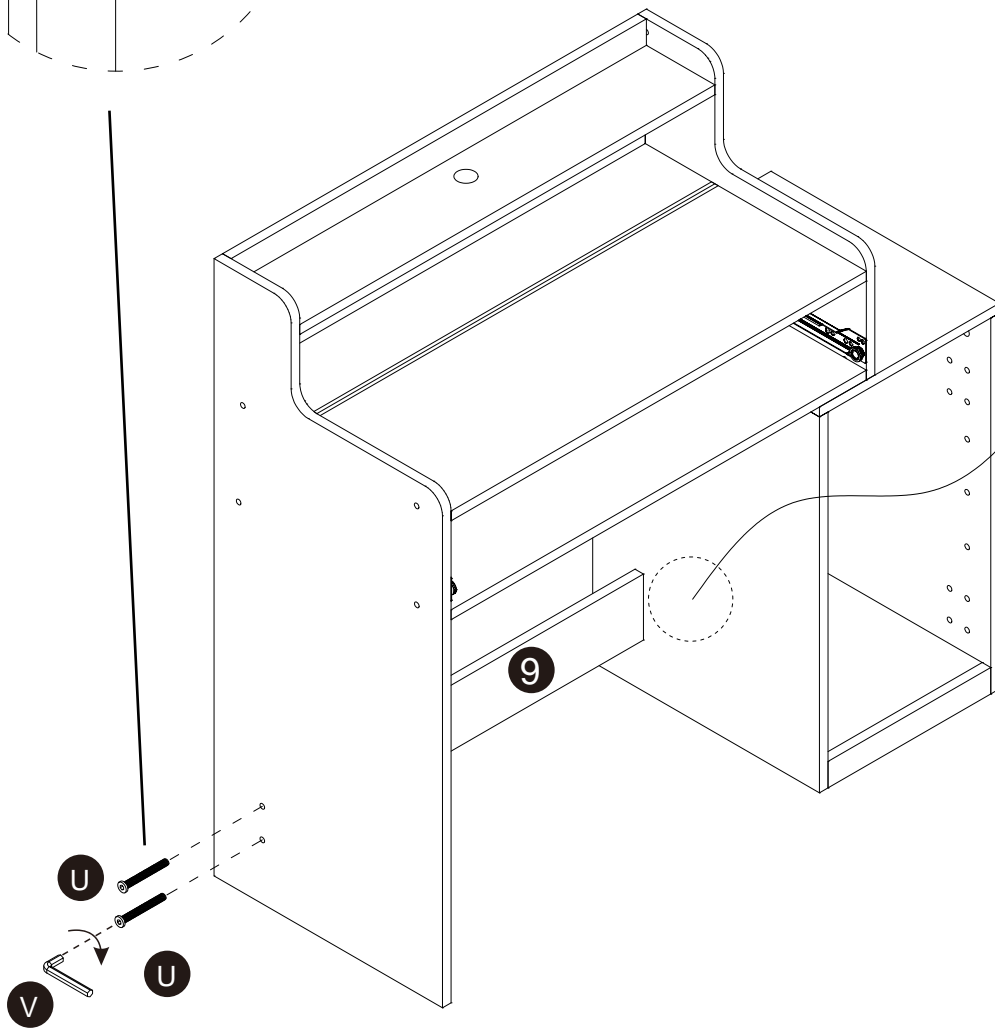
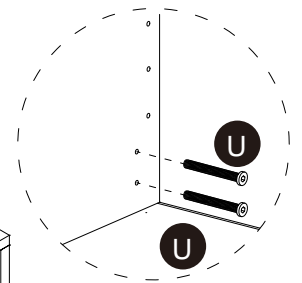
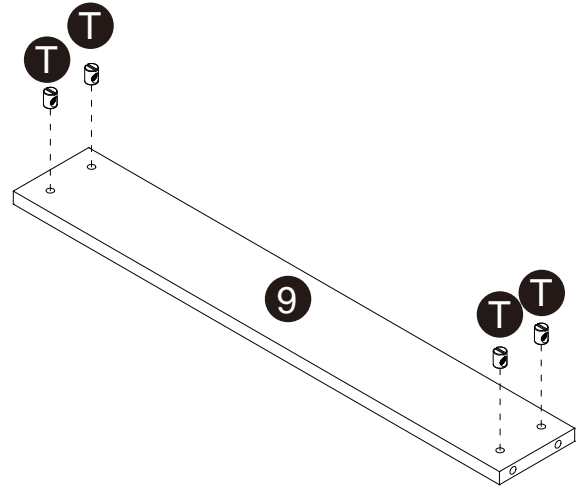
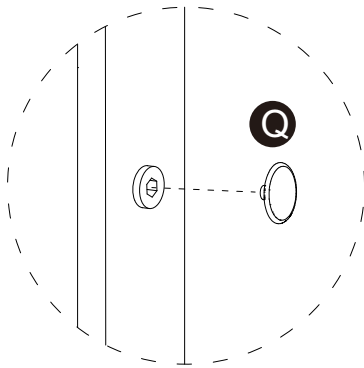
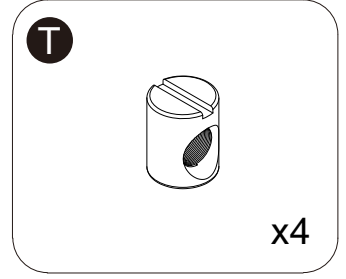
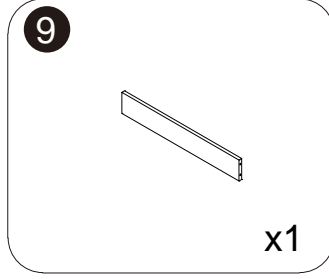
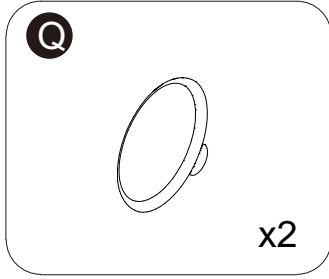
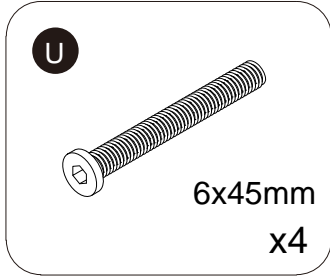
STEP 13



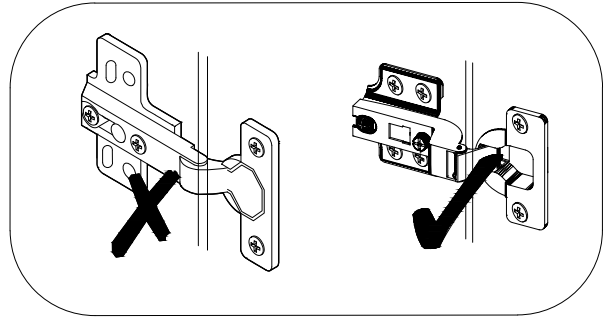
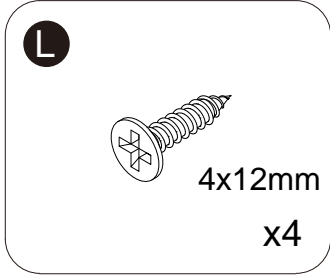
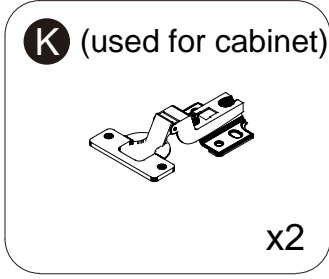
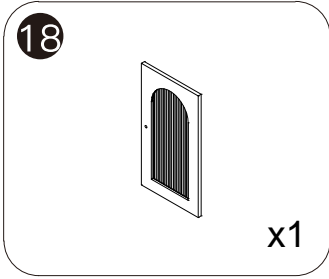
STEP 14



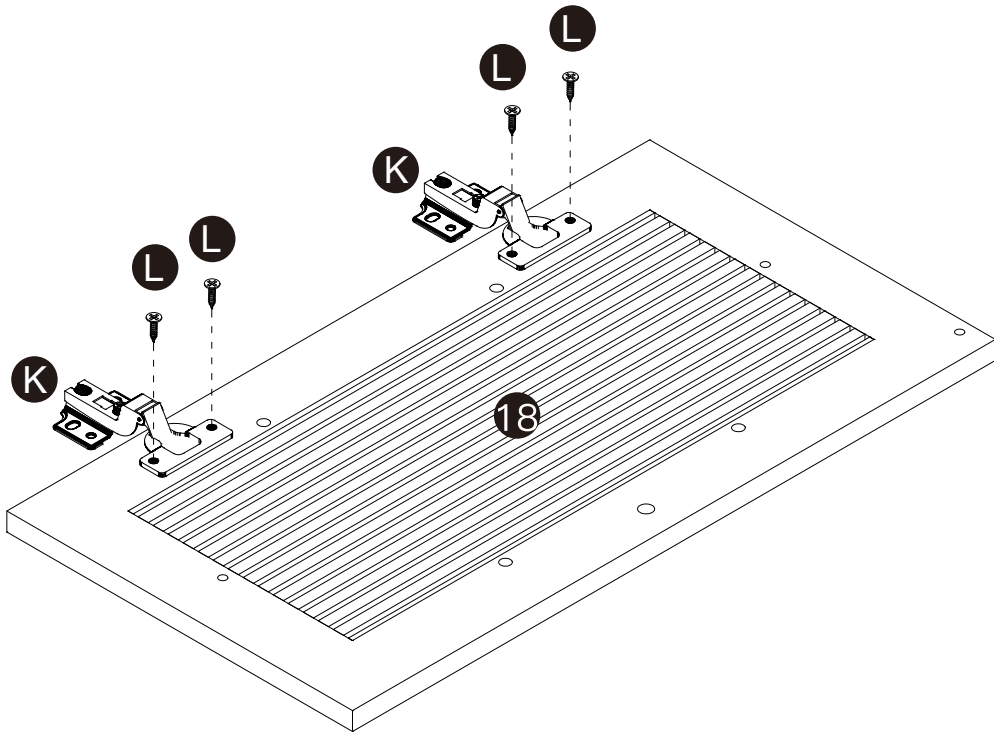
STEP 15



STEP 16

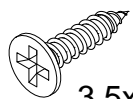


J(used for chair) K(used for chair)



STEP 17

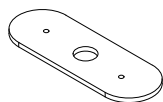
D



3.5x12mm

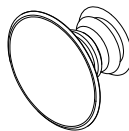
x1

O



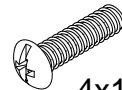
x1

H



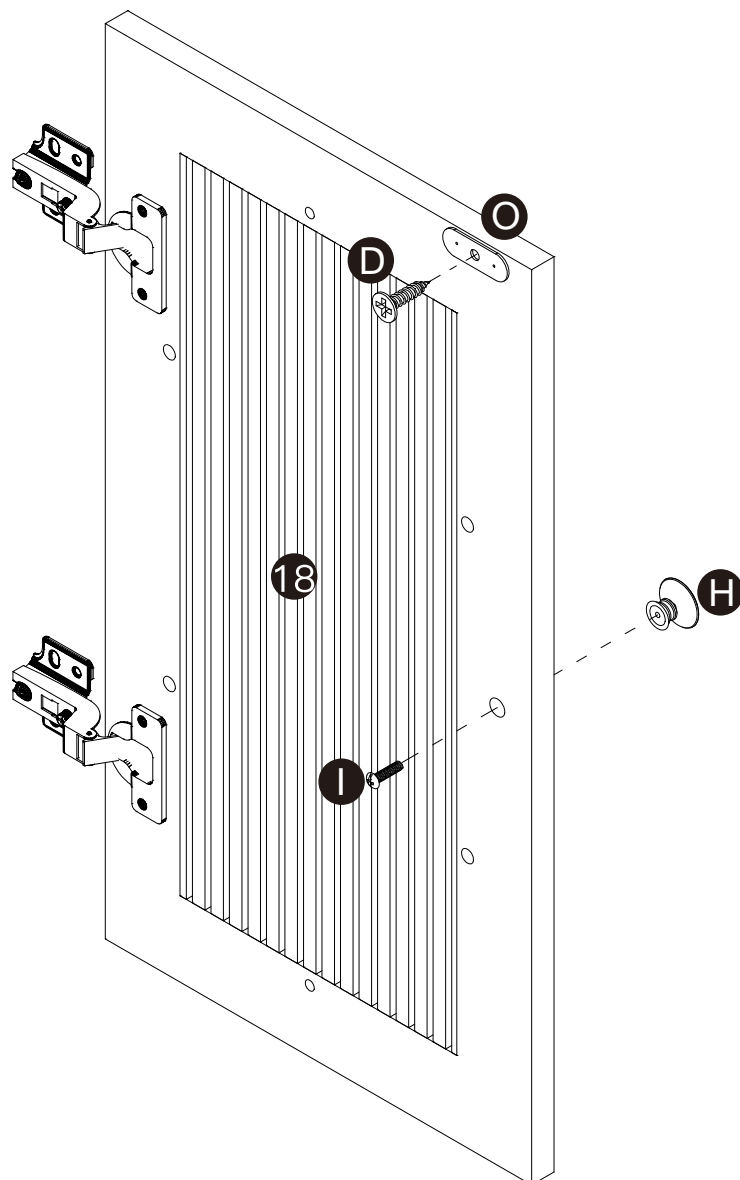
x1

I



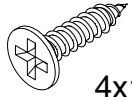
4x18mm

x1



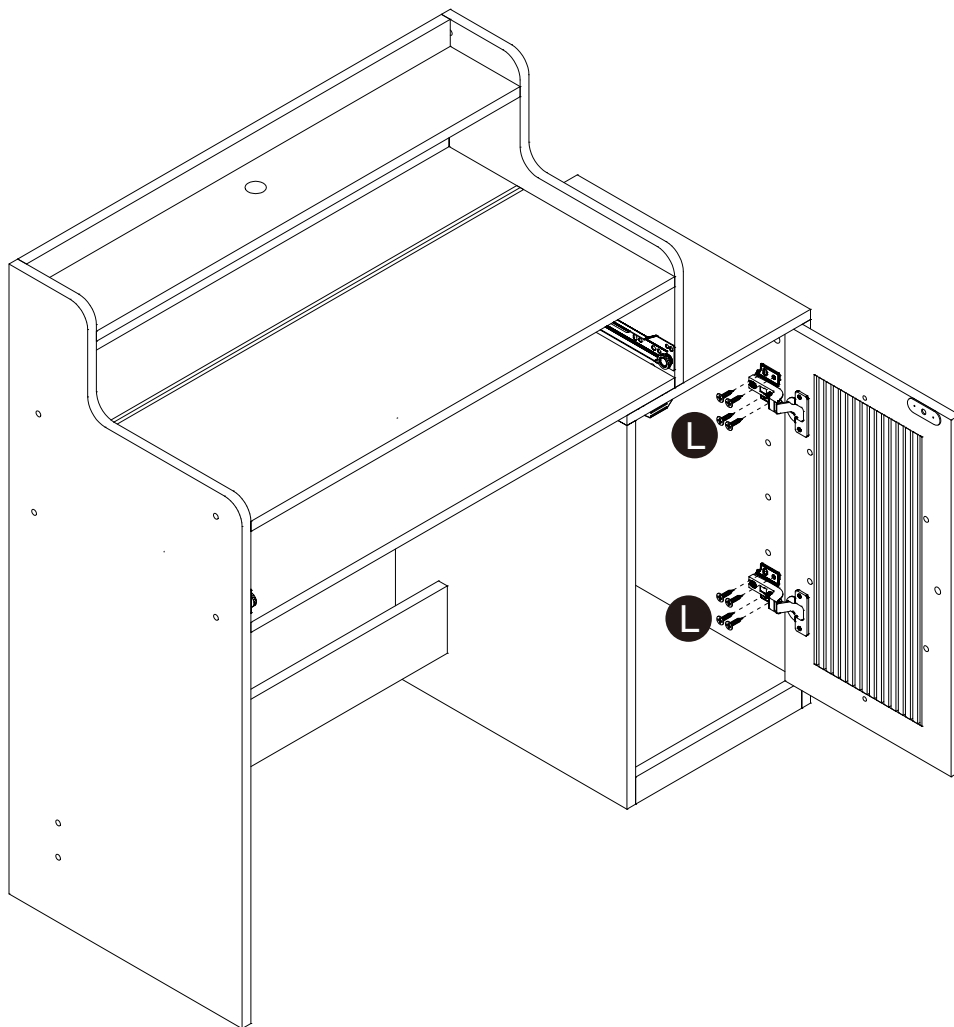
STEP 18

L

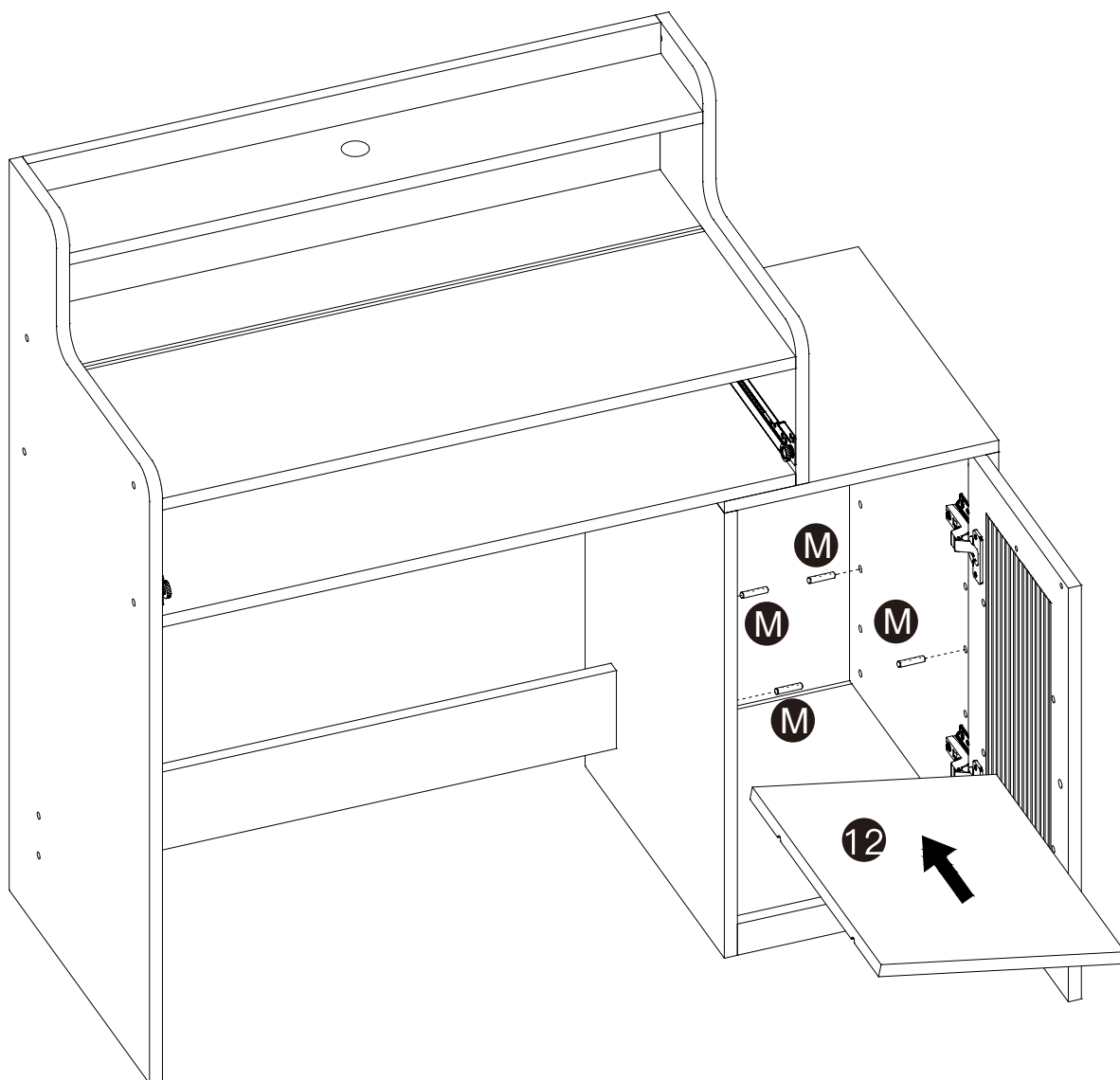
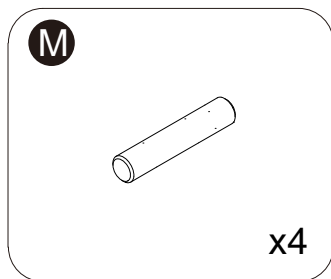
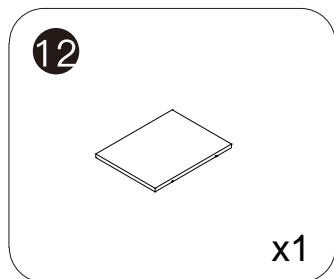


4x12mm

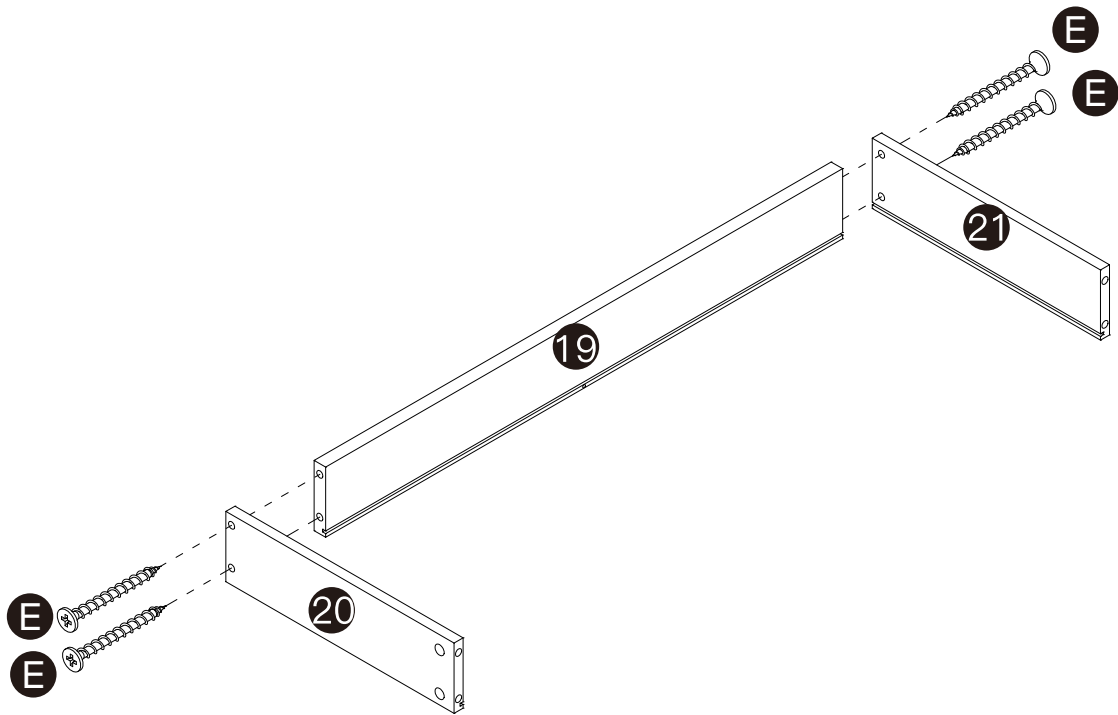
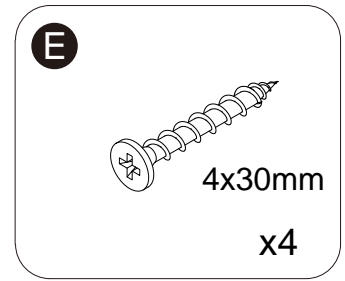
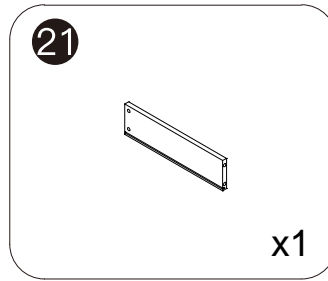
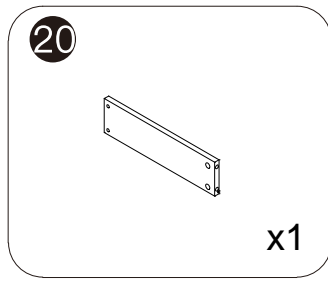
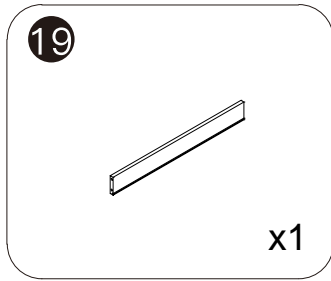
x8



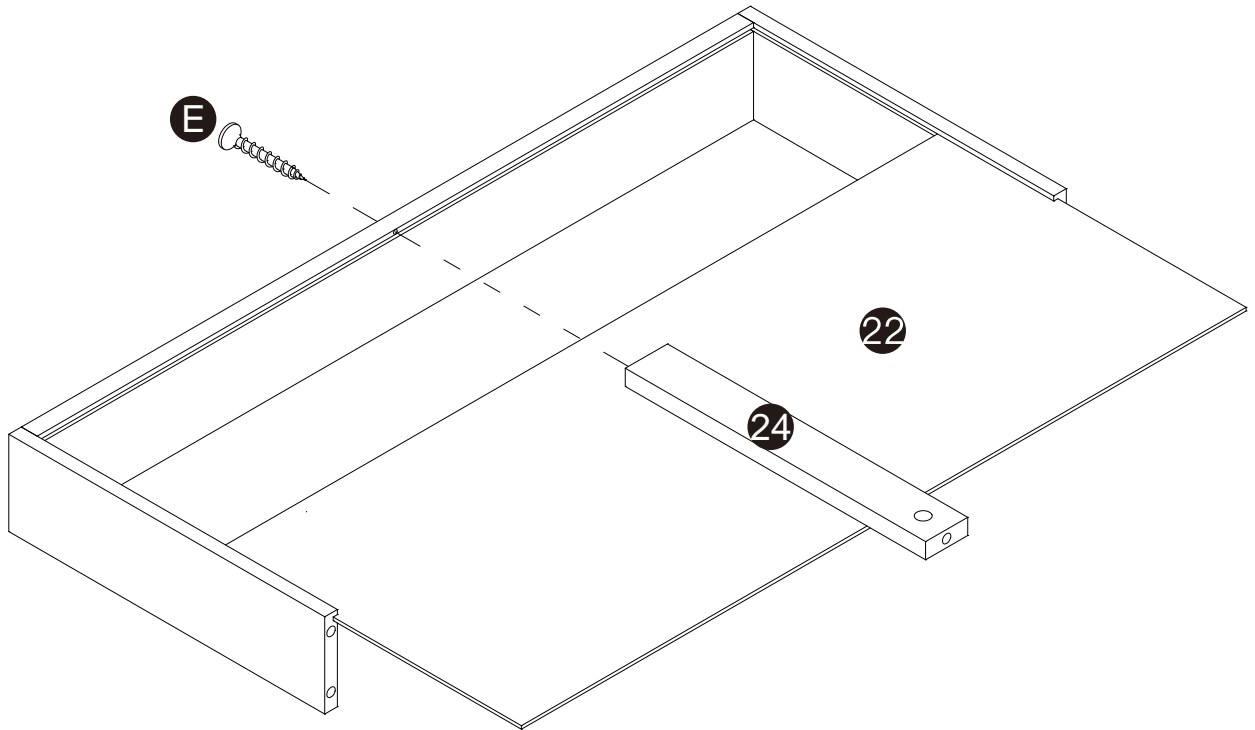
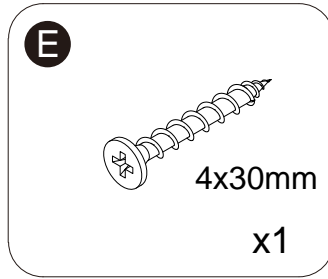
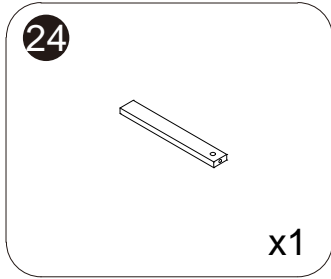
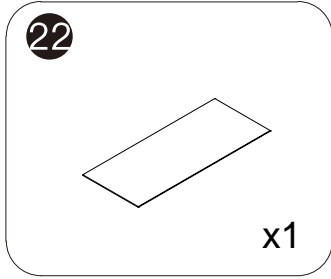
STEP 19



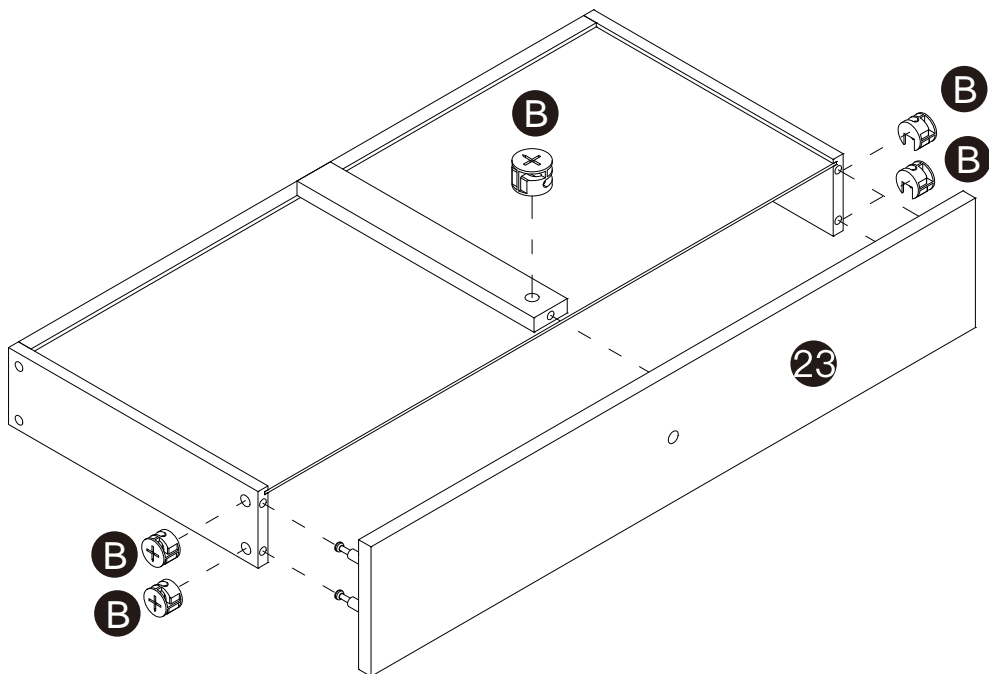
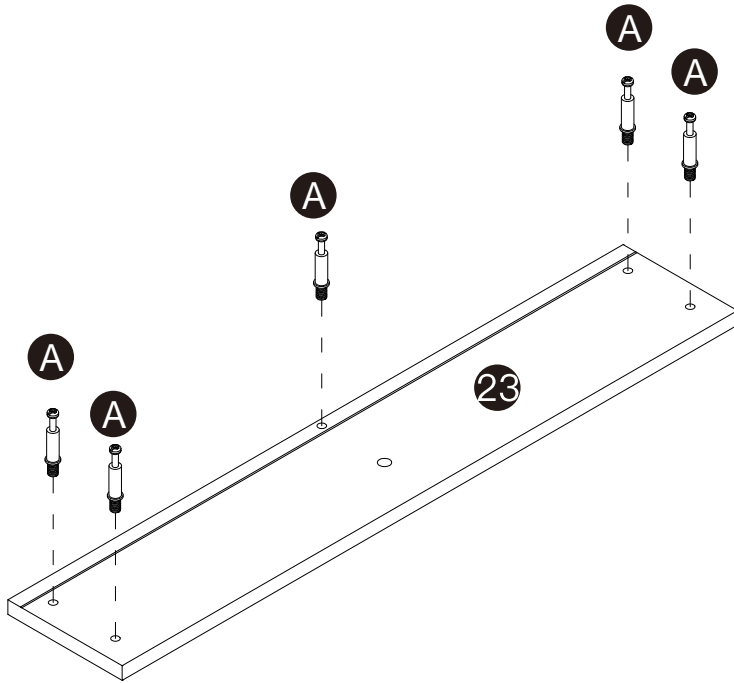
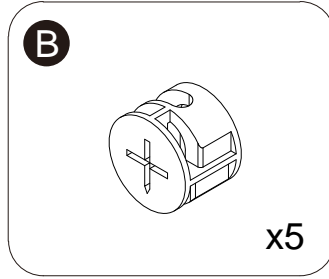
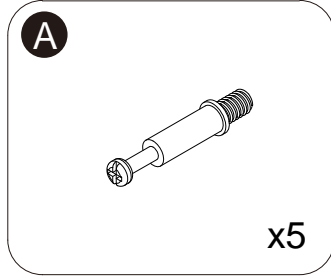
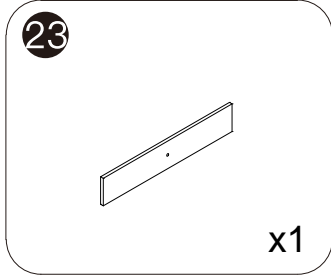
STEP 20



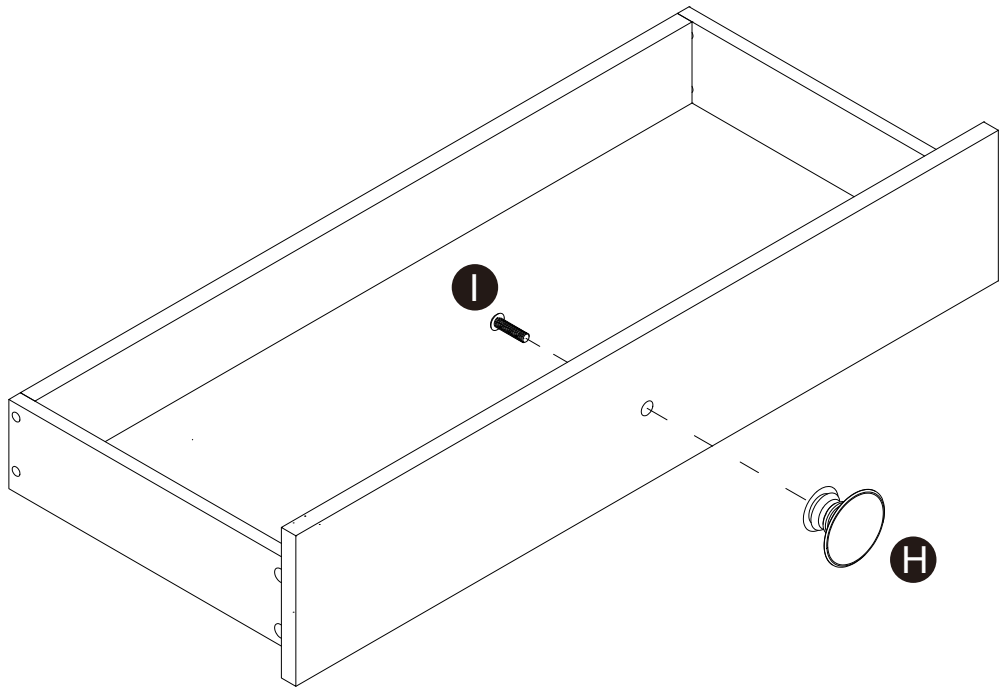
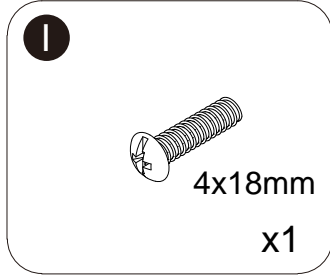
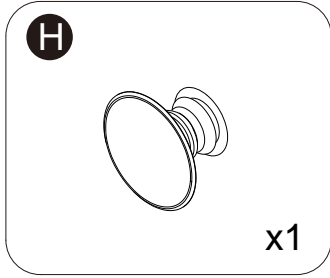
STEP 21



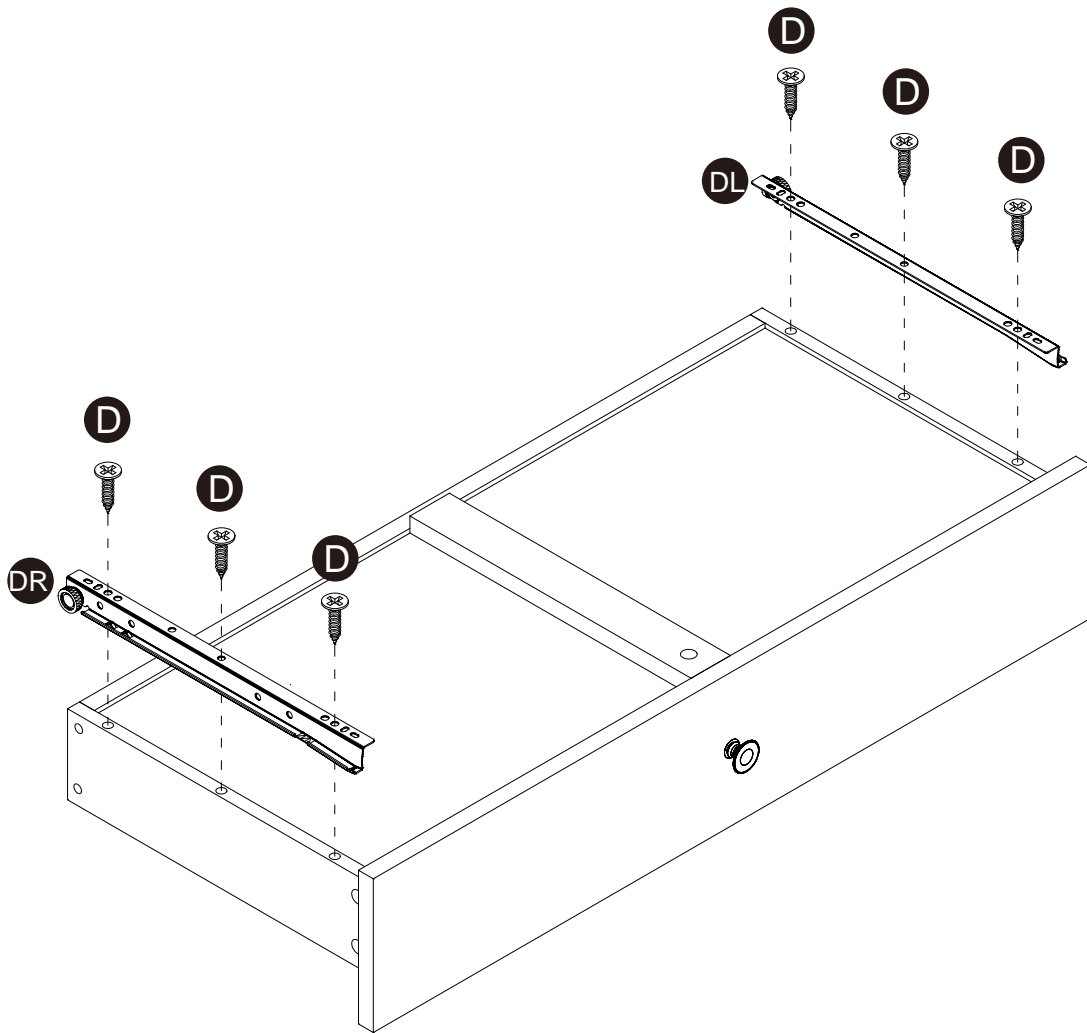
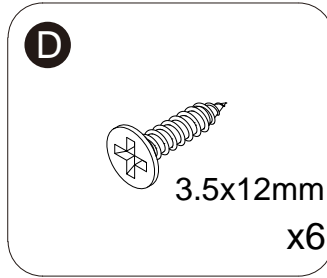
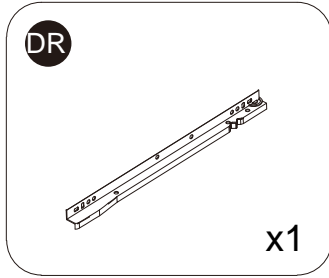
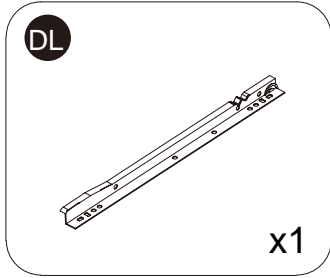
STEP 22



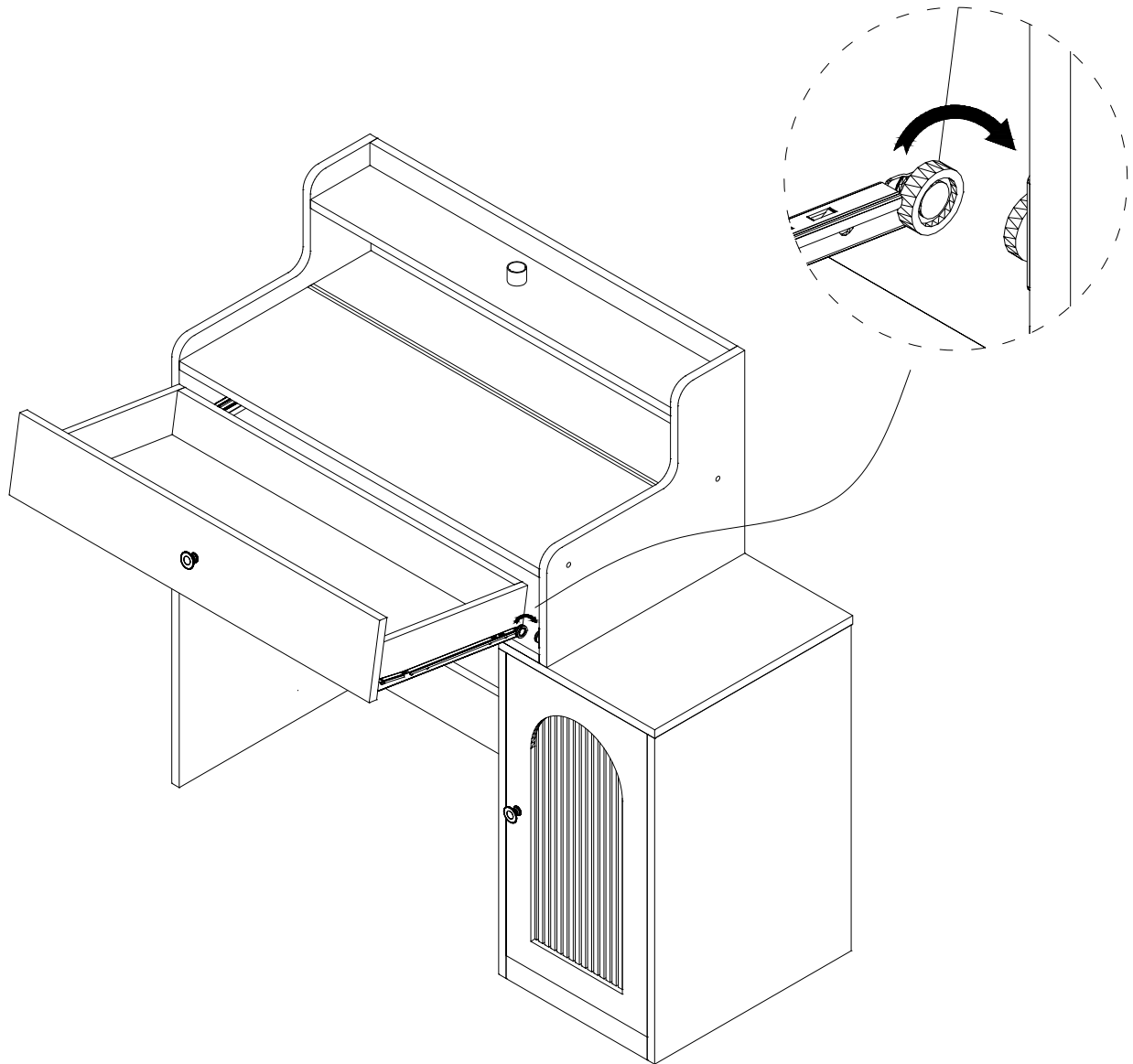
STEP 23



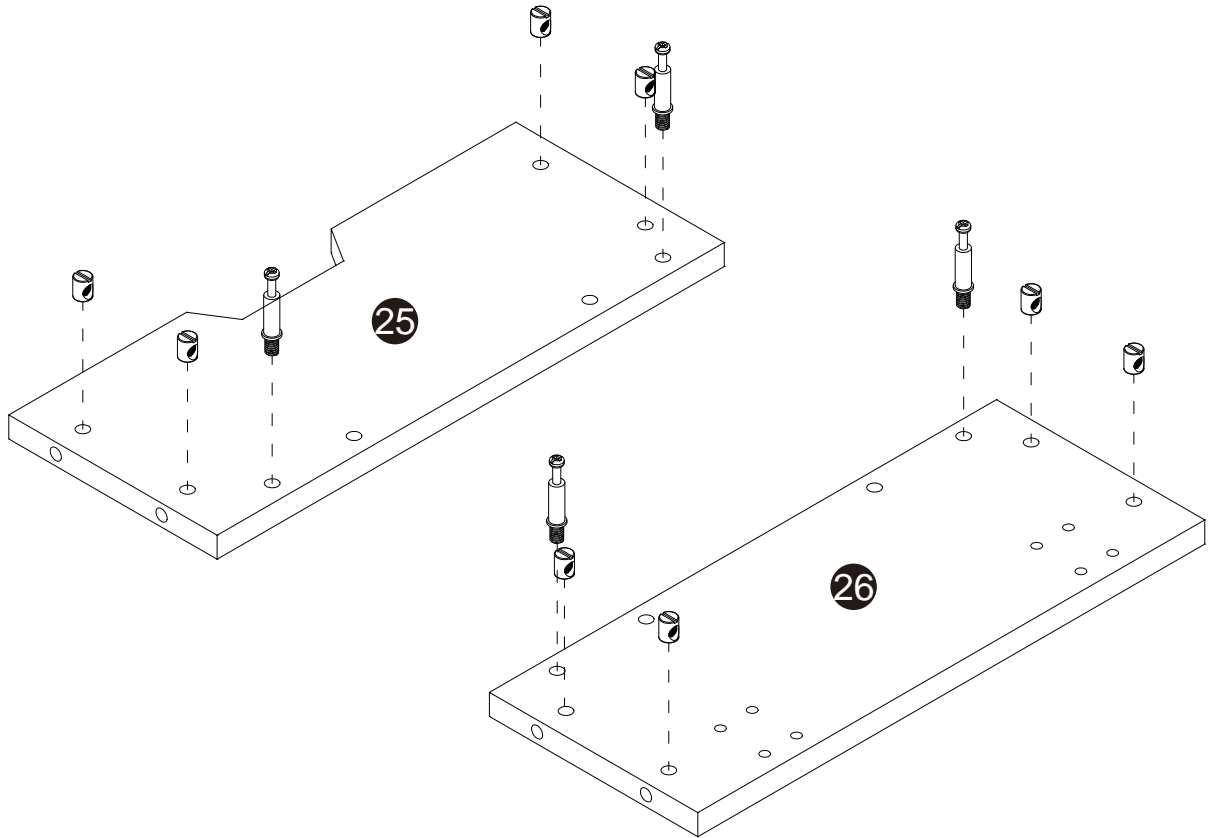
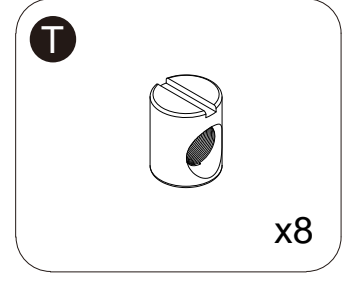
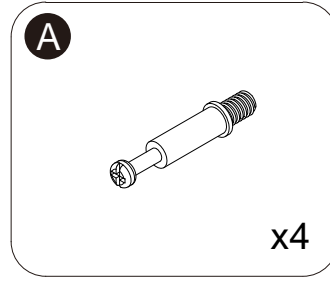
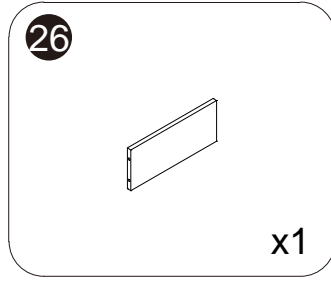
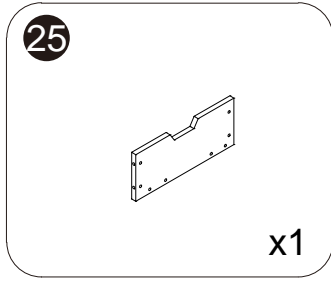
STEP 24



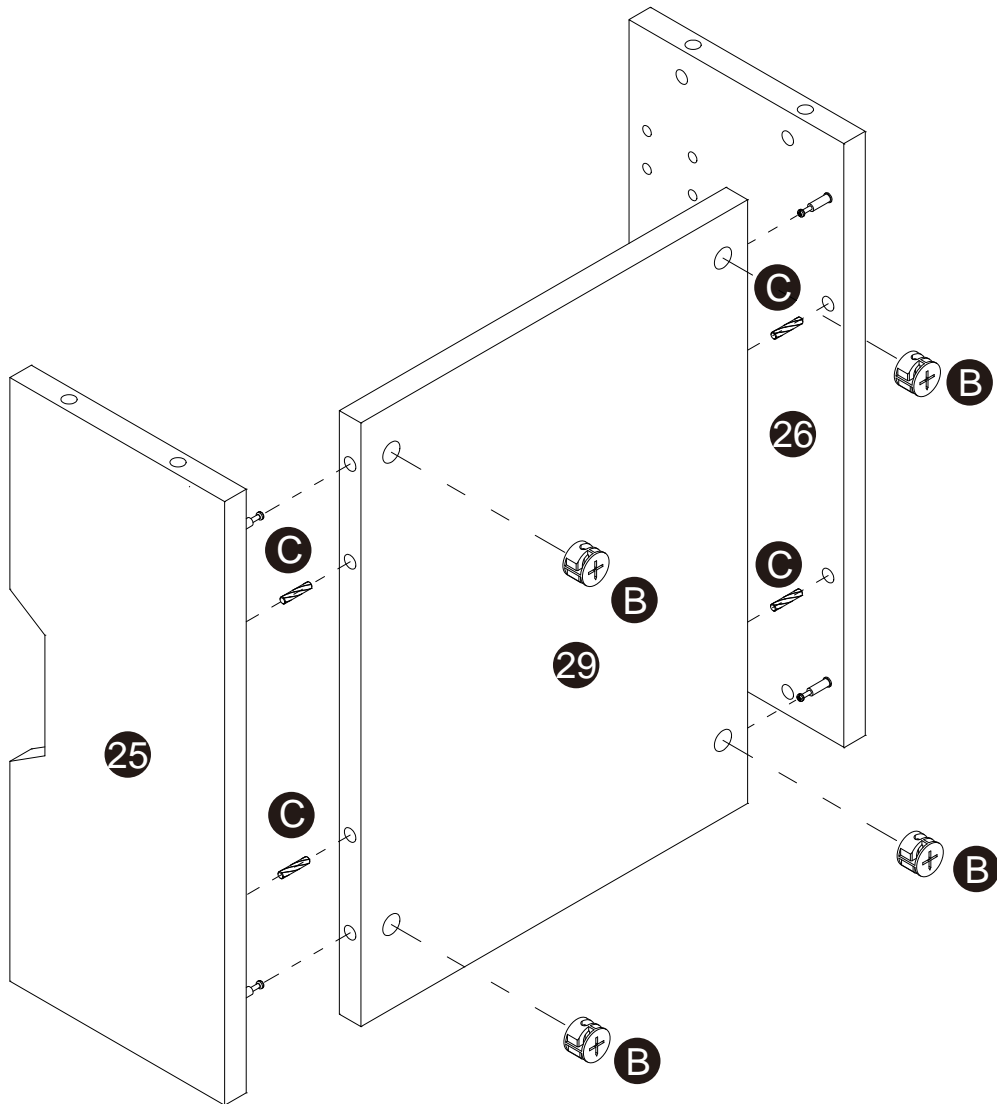
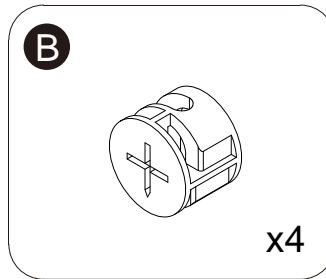
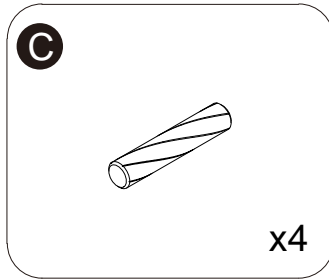
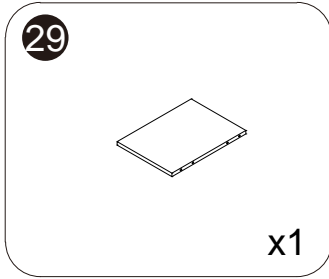
STEP 25



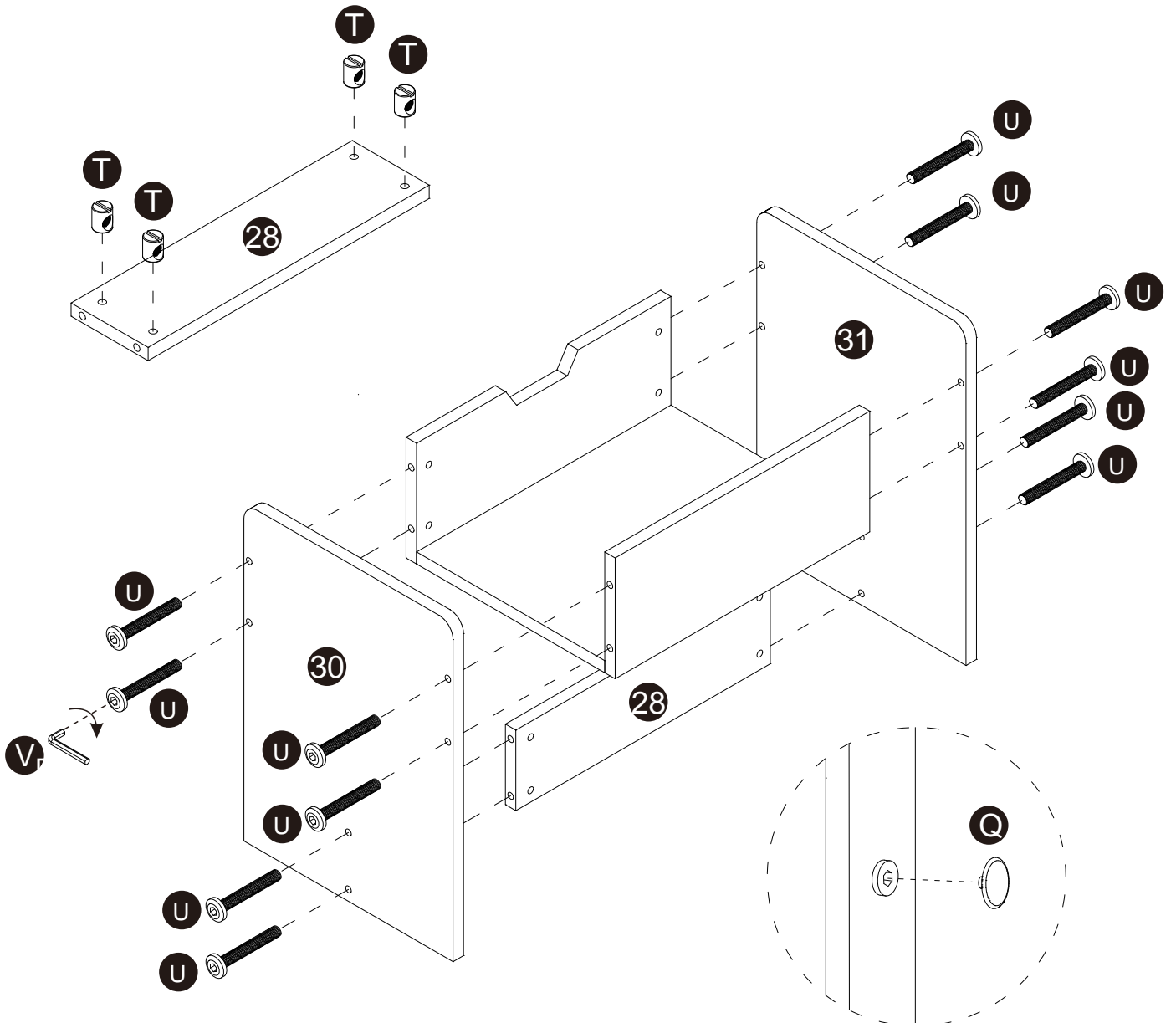
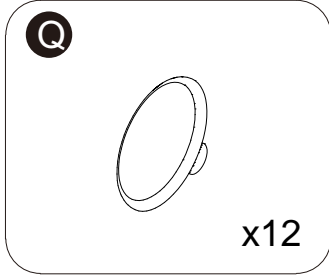
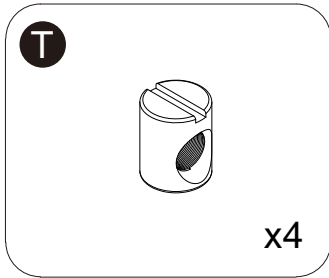
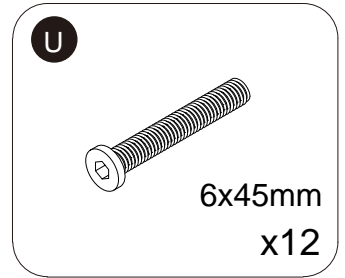
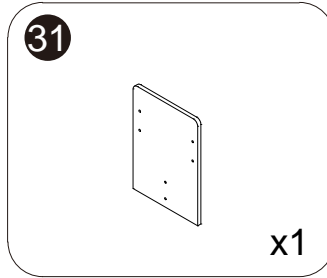
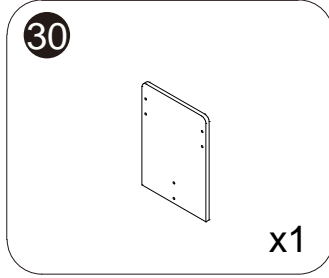
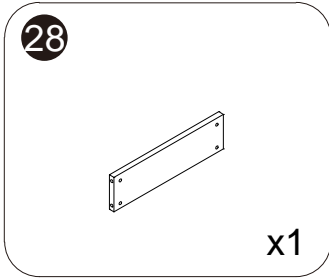
STEP 26



STEP 27

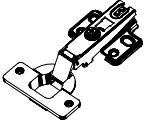


STEP 28



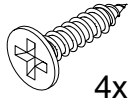
STEP 29

J (used for chair)



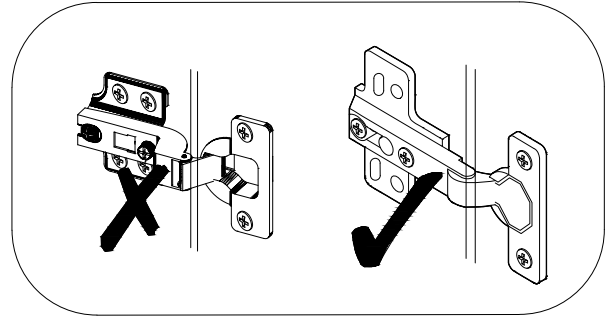
x2

L



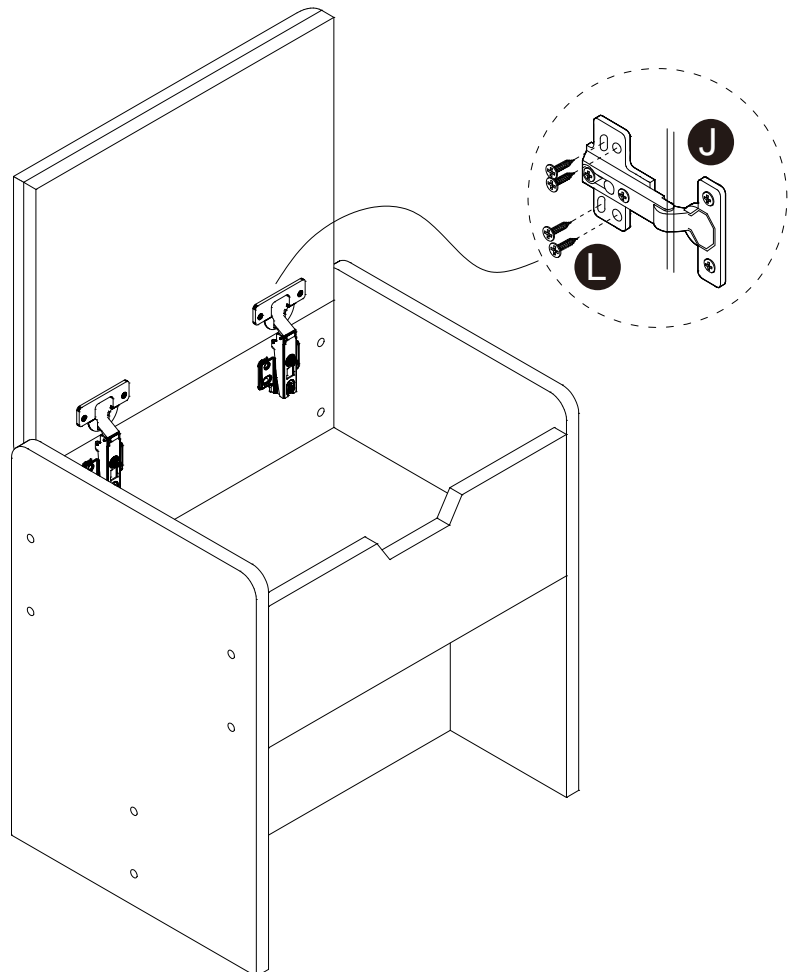
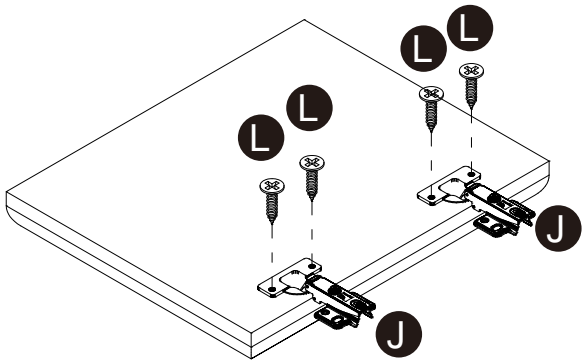
4x12mm

x12



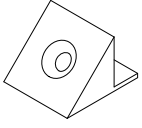
K(used for chair)

J(used for chair)



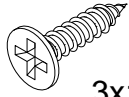
STEP 30

R



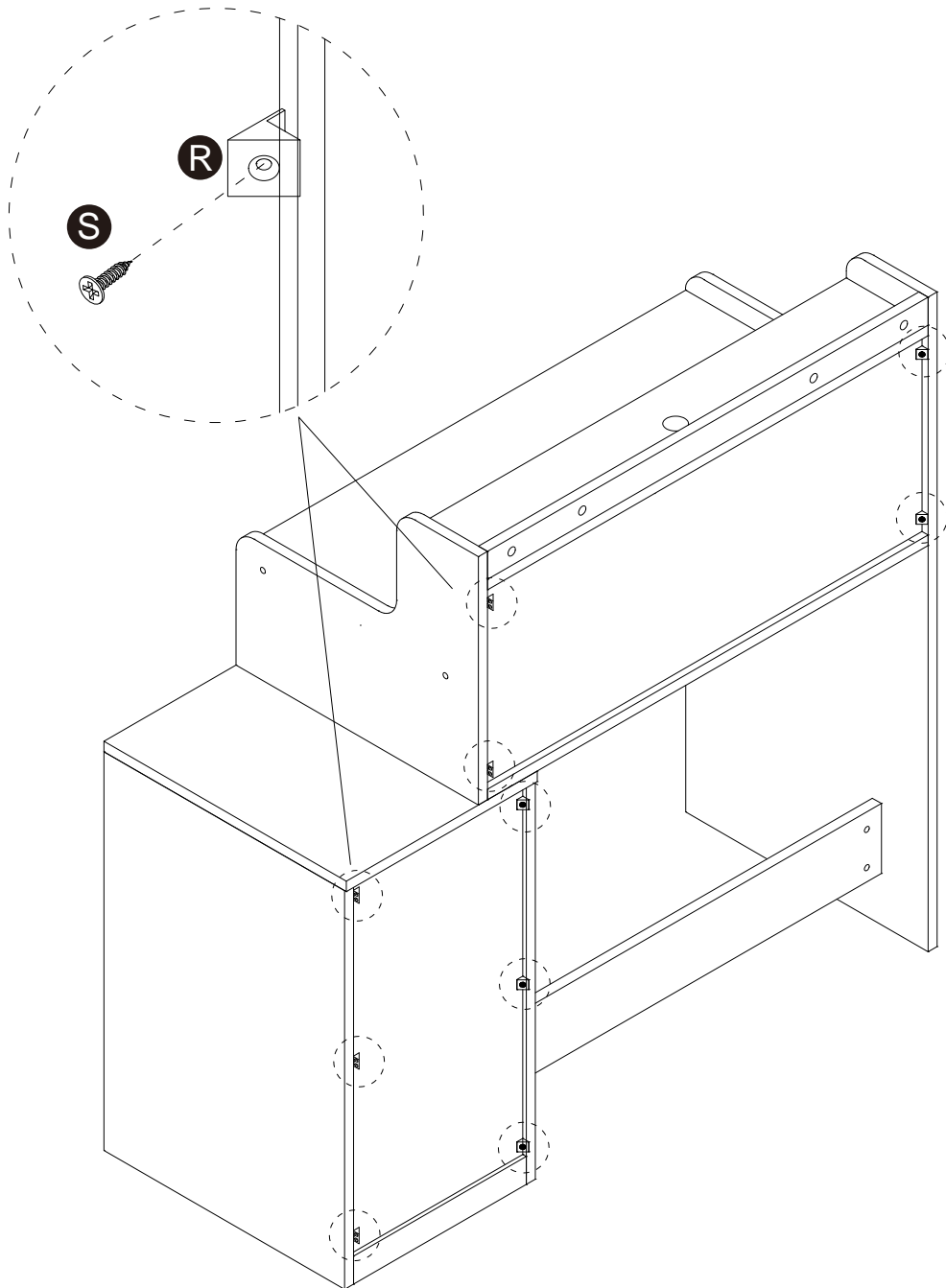
x10

S



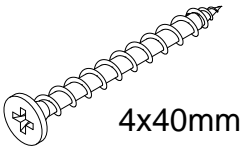
3x14mm

x10



STEP 31

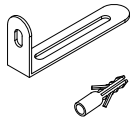
F



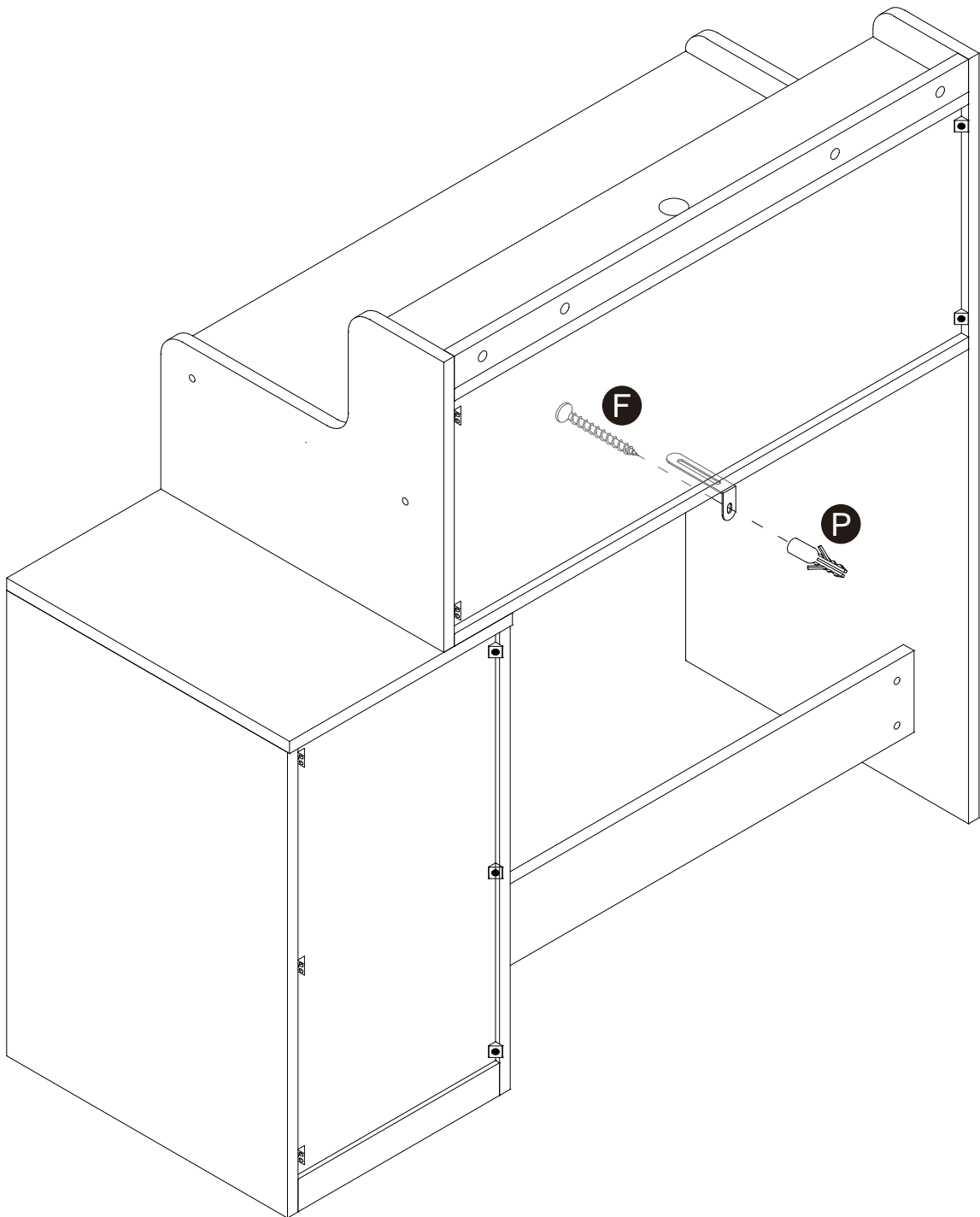
4x40mm

x1

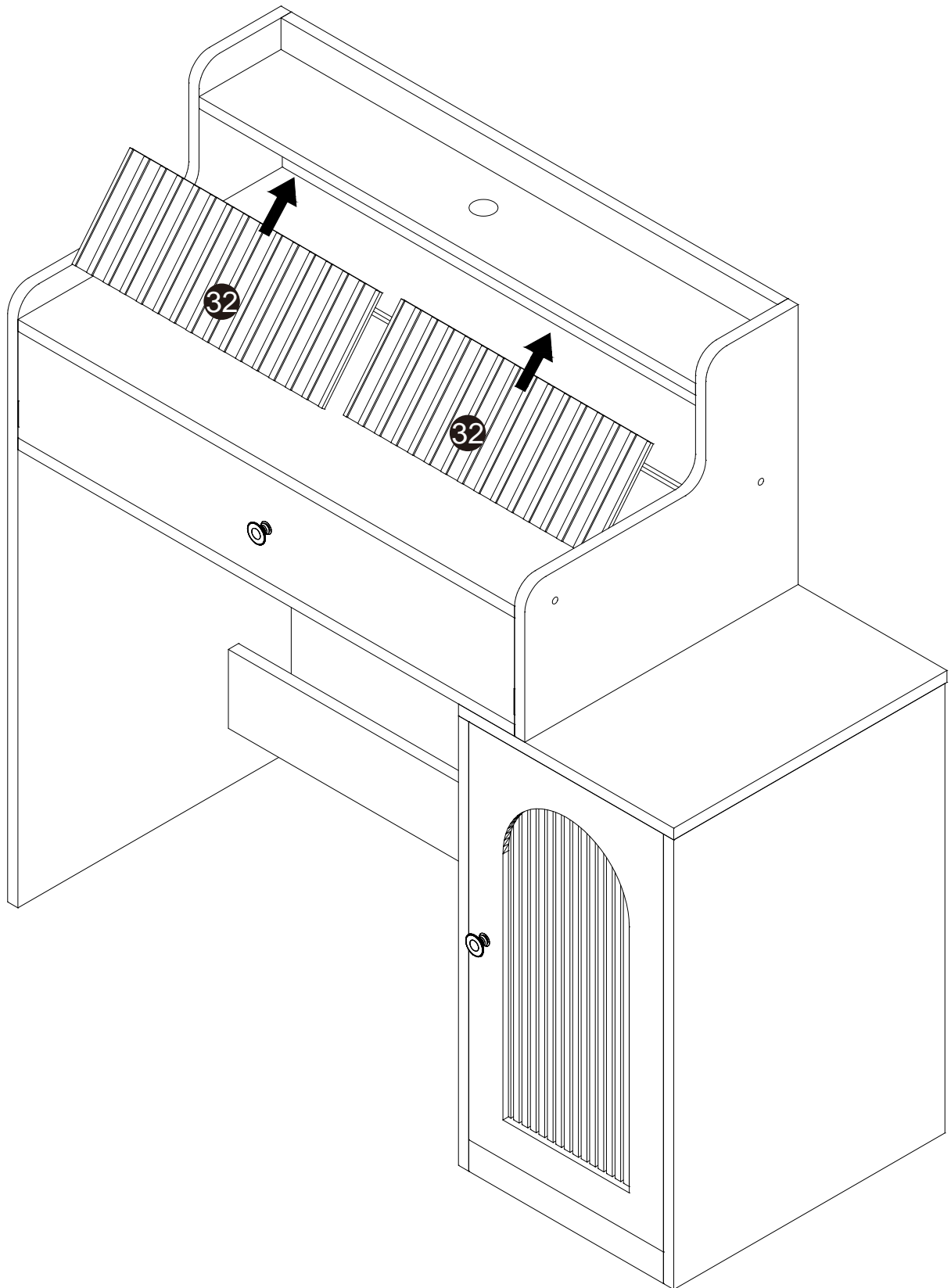
P



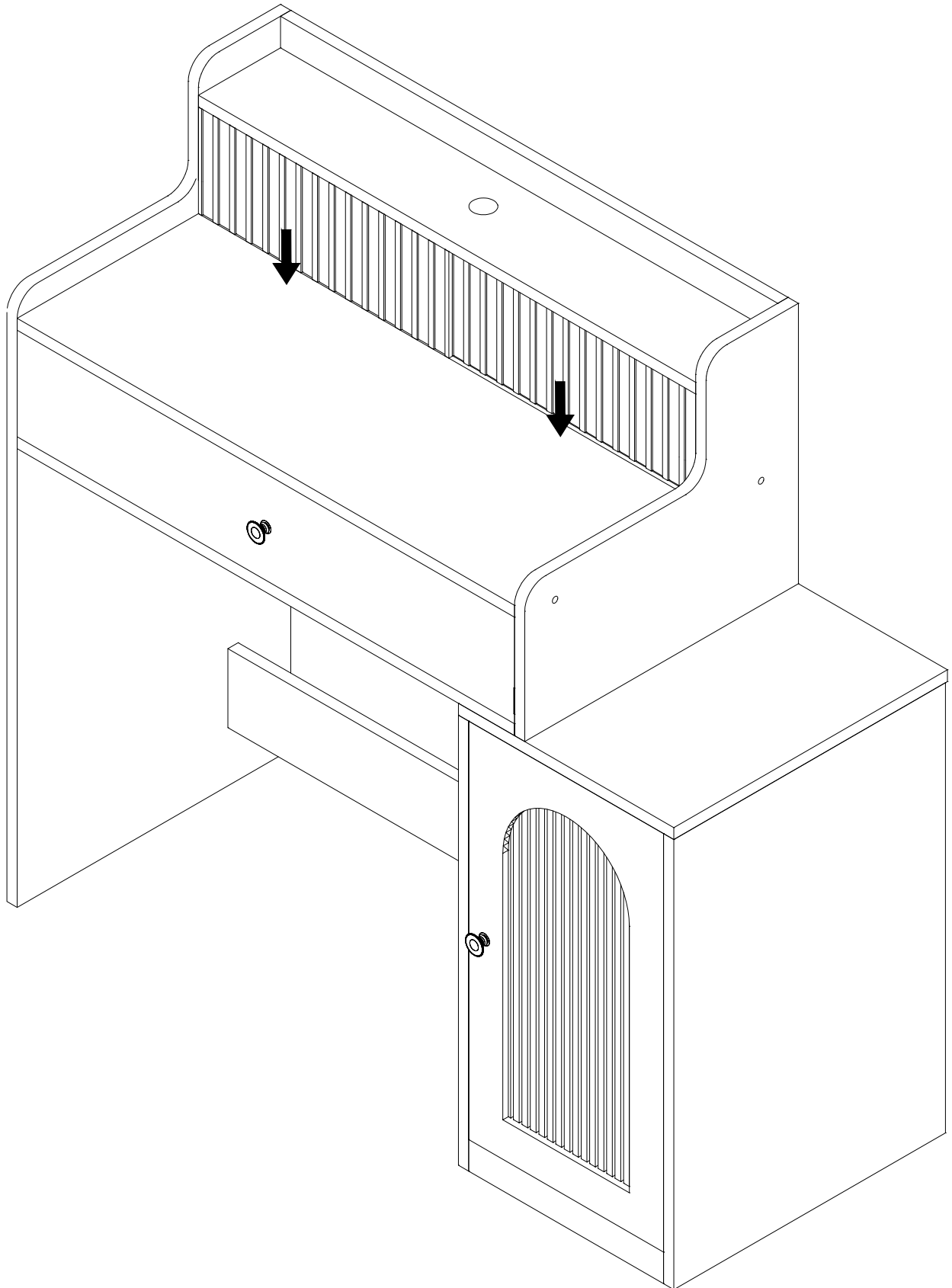
x1



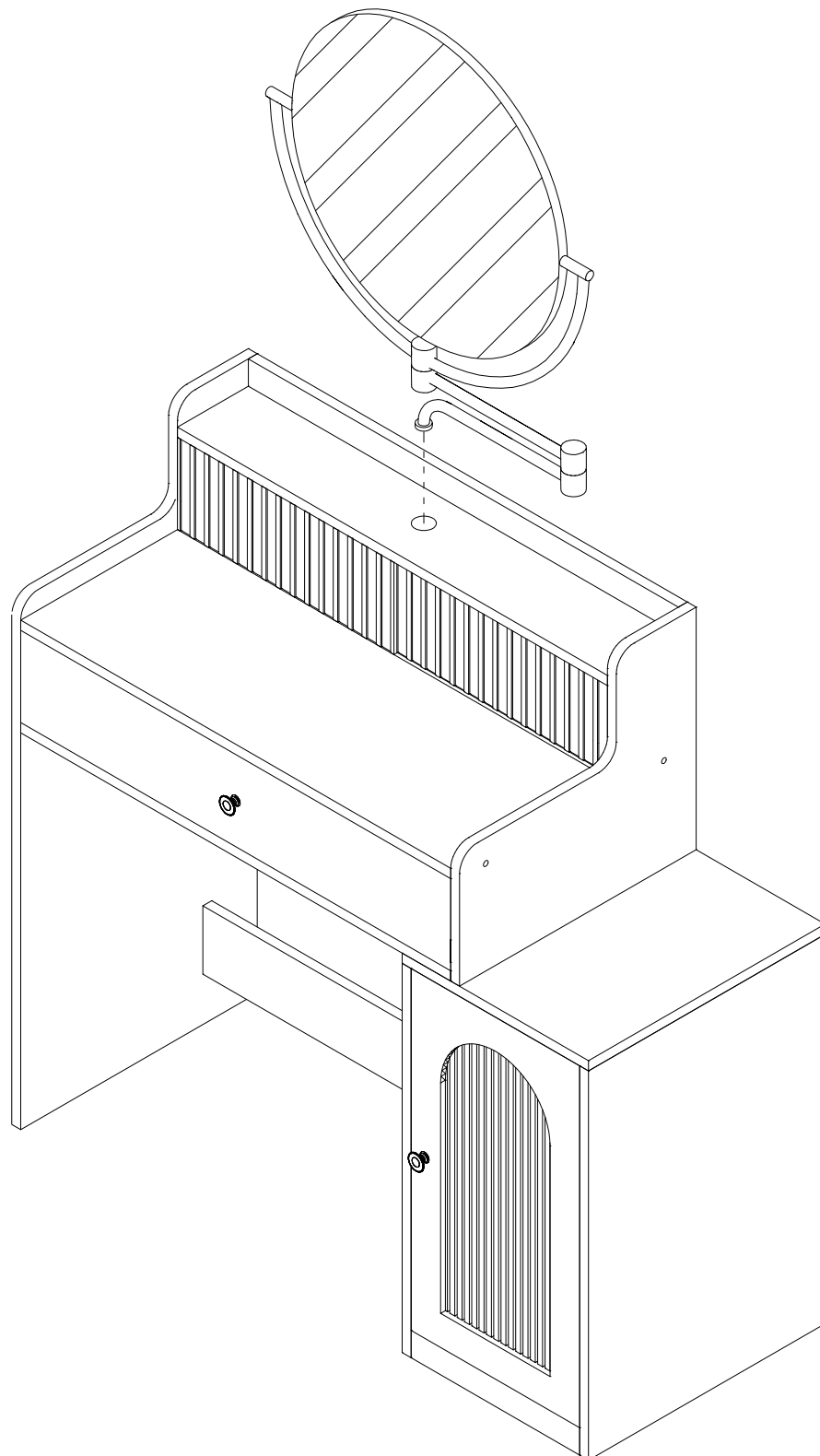
STEP 32

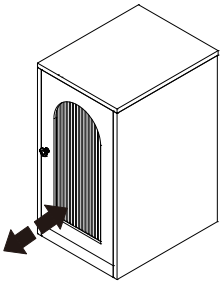


STEP 33

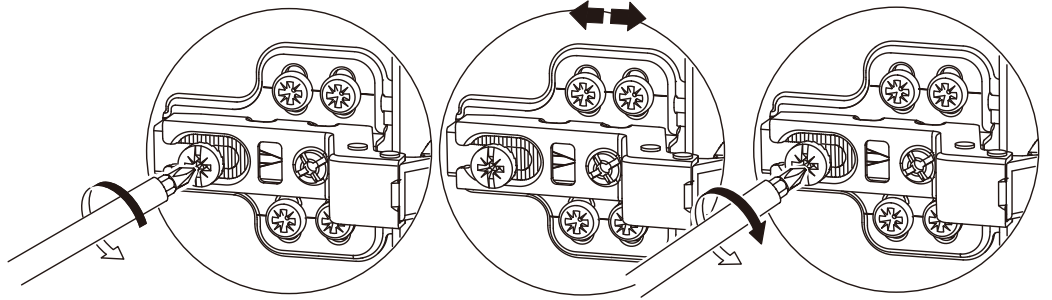


STEP 34

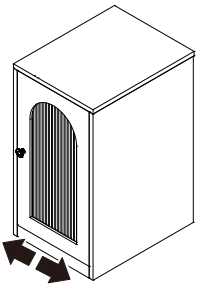




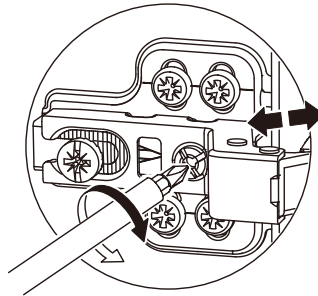
Move the door in and out



If the door doesn't meet the box at the top, adjust the top hinge toward the cabinet and/or adjust the bottom hinge away from the cabinet. If the door is gapped at the bottom, do the reverse.



Move the door right or left



You can adjust one or both hinges on each door, depending on how much correction it needs. If the door seems to be tilting down to the right, turn the side-to-side screw on the top hinge so the hinge pulls closer to the side of the cabinet box, moving the top of the door to the left.

ASSEMBLY PREPARATION:

1. Remove all packaging materials, staples and packing straps from the carton.
2. Refer to PARTS LIST and HARDWARE LIST and make sure they are complete before you start assembly.
3. Place all parts on a clean, flat and soft surface (e.g. carpet or rug) to prevent parts from getting scratched.

SAFETY PRECAUTIONS:

1. KEEP ALL HARDWARE PARTS OUT OF THE REACH OF CHILDREN.
2. DISPOSE OF PLASTIC PACKAGING MATERIAL IMMEDIATELY TO AVOID ANY RISK OF SUFFOCATION TO CHILDREN OR PETS.

TIPS FOR ASSEMBLY:

1. Allow ample space for assembly and in close proximity to where the product will be placed.
2. Assemble the product on a surface that does not scratch or damage the exterior gloss and finish of the furniture.
3. Please check all of the parts and quantities are included before assembly. If any parts are missing, please contact our customer service.
4. Identify all of the parts, hardware and quantities required for each step.
5. Do not over-tighten any fittings during assembly, as this may cause damage.
6. DO NOT USE POWER TOOLS TO ASSEMBLE THIS PRODUCT.
7. Always place the product on a flat surface.
8. Do not sit or stand on the partially assembled product; only to use the product for which it is intended.