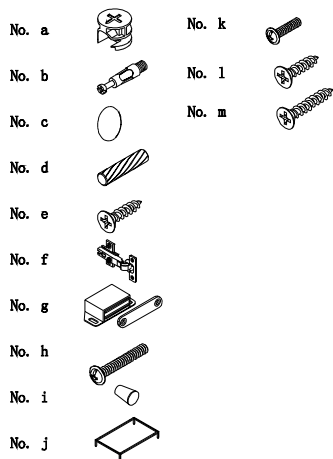
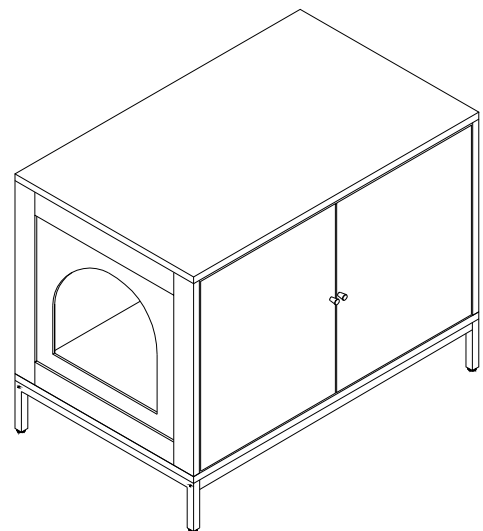
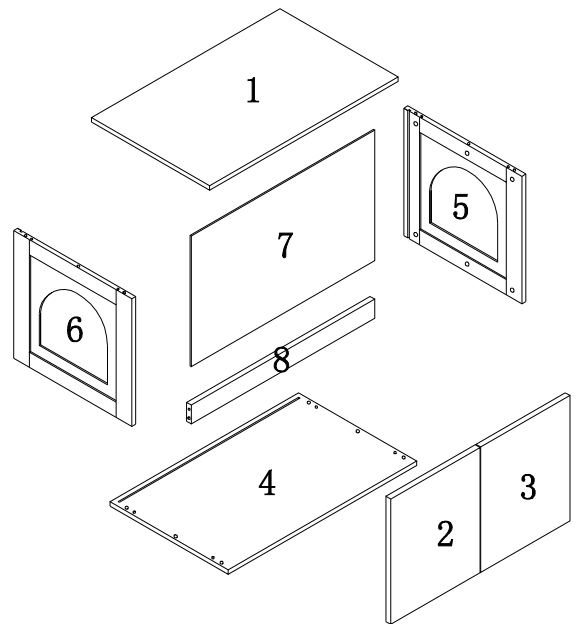


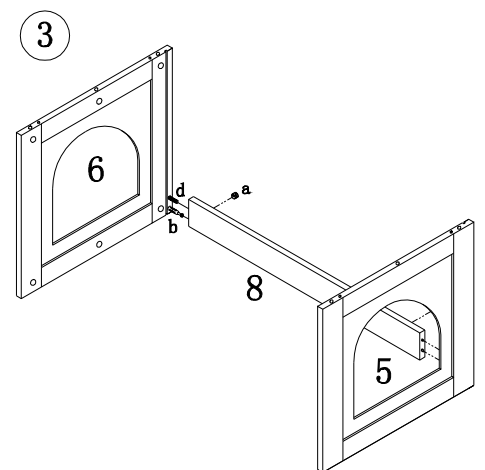
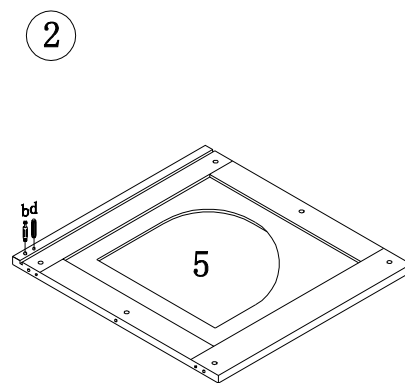
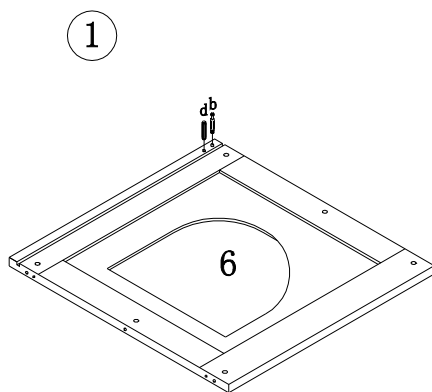
Item No.	Cat Litter Box Enclosure	Height	
		719 jÅ 551 jÅ 450 mm	

No.	Description	Measurement in mm	Quantity
No. 1	Top Panel		1
No. 2	Left Door Plate		1
No. 3	Right Door Plate		1
No. 4	Bottom Plate		1
No. 5	Right Side Panel		1
No. 6	Left Side Panel		1
No. 7	Back Panel		1
No. 8	Back Panel strip		1
No. a	Cam Lock		16
No. b	Bolt for Cam Lock		16
No. c	Sticker		16
No. d	Dowel 8*40mm		14
No. e	Countersunk screw 4*14mm		8
No. f	Hinges		4
No. g	Closing Latch, Magnetic		2
No. h	Feet Screw		4
No. i	Knob		2
No. j	Iron frame		1
No. k	Screws for handles 4*23mm		2
No. l	Countersunk screw 4*16mm		24
No. m	Feet Screw 4*30		8

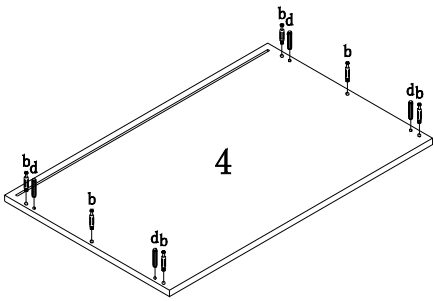


Advice:
Do not sit or stand on this product.
It is intended for pets only.
This product should be assembled by an adult.

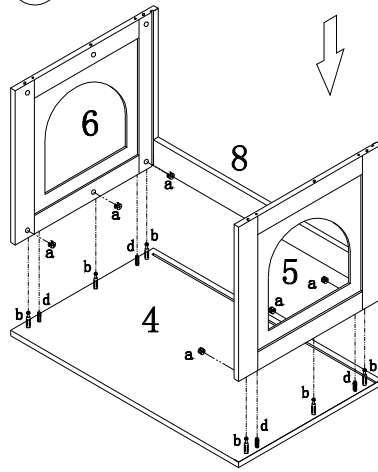
For the convenience and neatness of reading the manual, the door panel here is displayed using a simple drawing method.



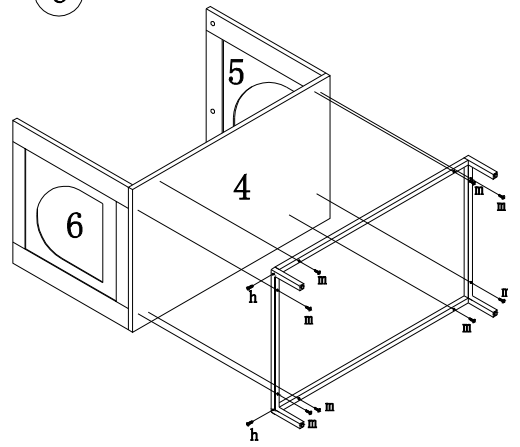
4



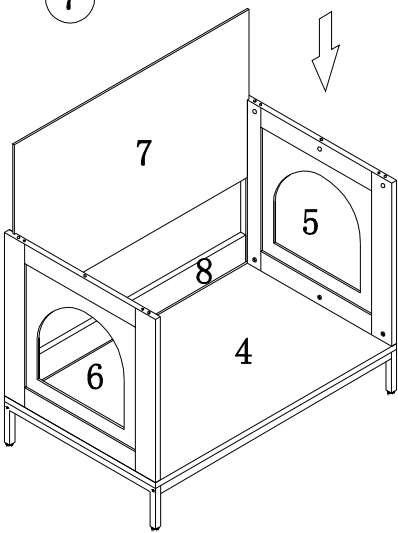
5



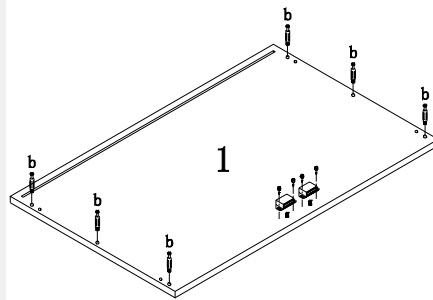
6



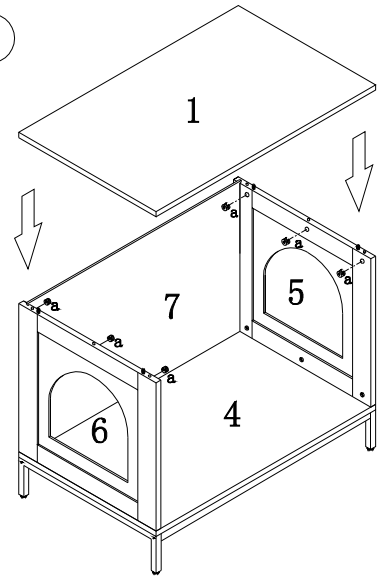
7



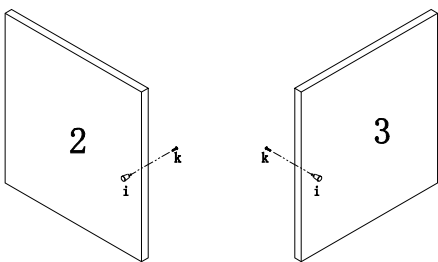
8



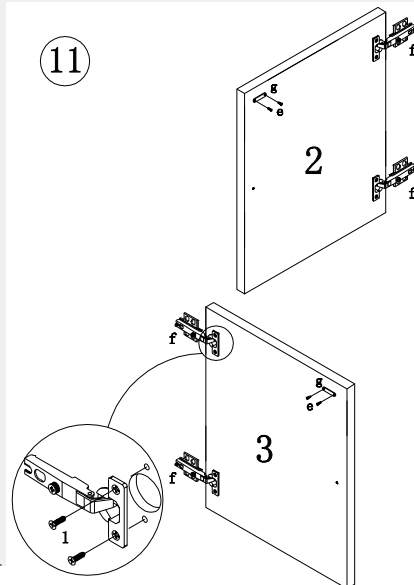
9



10



11



12

