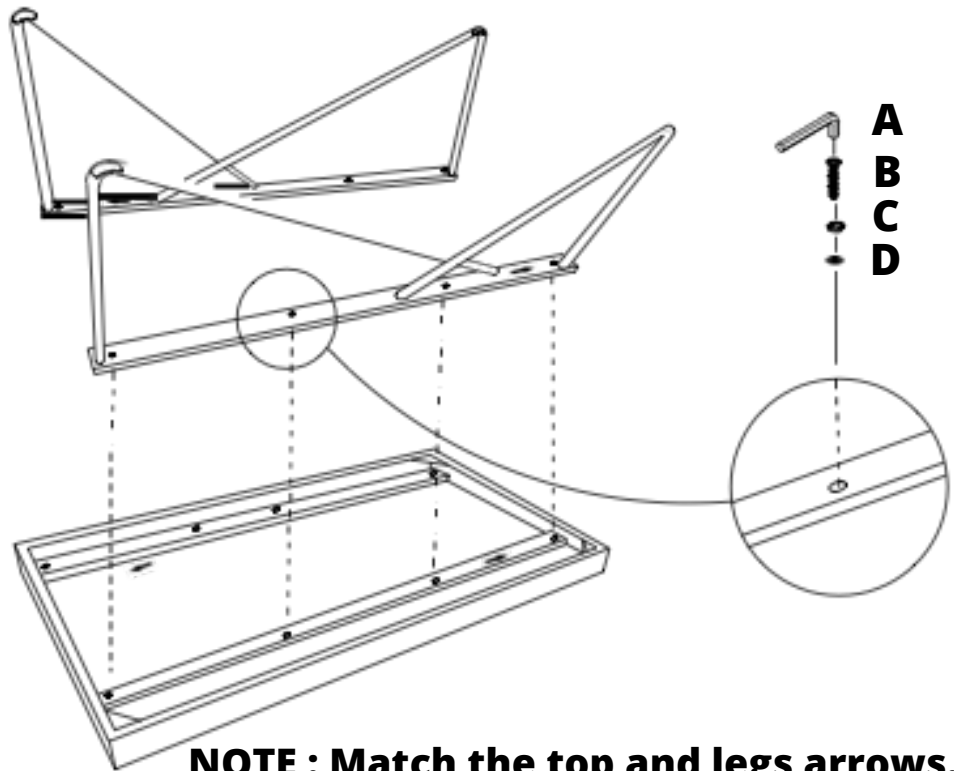


ITEM NO: 100109

ASSEMBLY INSTRUCTIONS

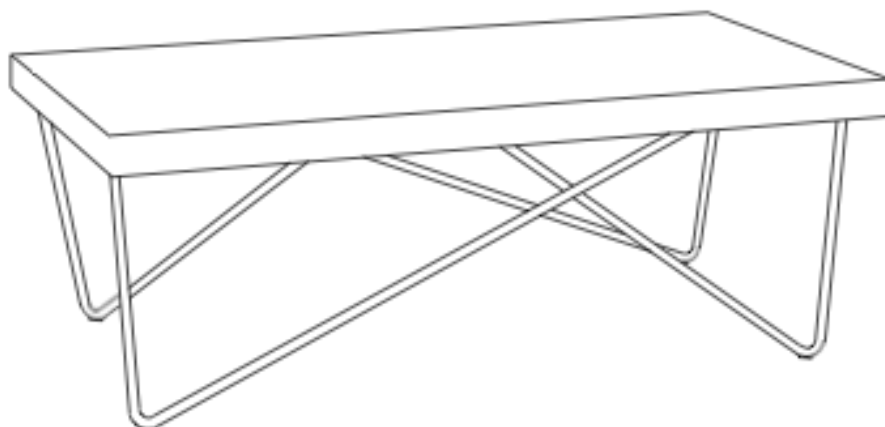
Do not fully tighten bolts & screws until the entire item is completely assembled.
Two People required for assembly.

STEP :01



NOTE : Match the top and legs arrows.

STEP :02



For user safety periodically verify tighten all fittings

Hardware Pack

A



B

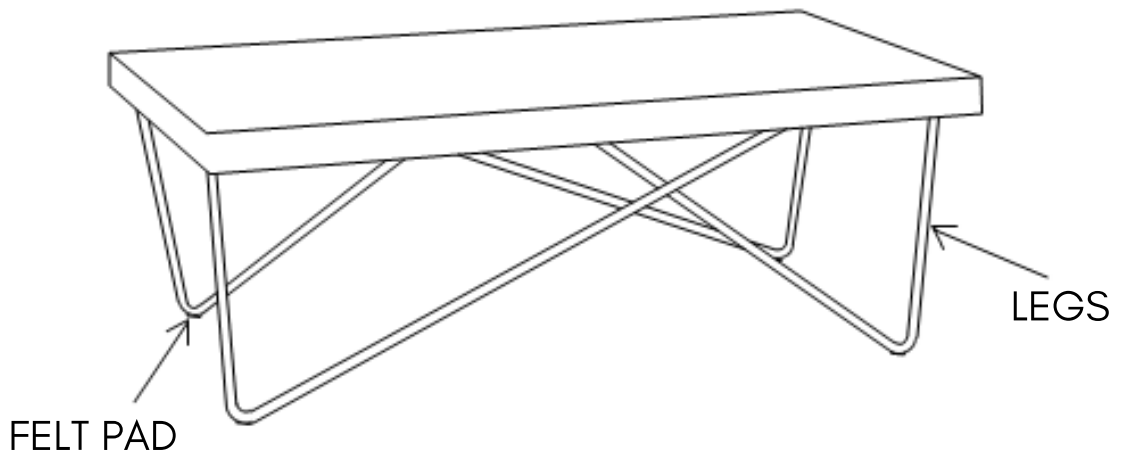


C



D





PRODUCT DETAILS	
TABLE TOP	
LEG	
PRODUCT SIZE	
CARTON SIZE	
NET WEIGHT	
GROSS WEIGHT	
CU. FT.	

For user safety periodically verify tighten all fittings