










# Assembly Instructions

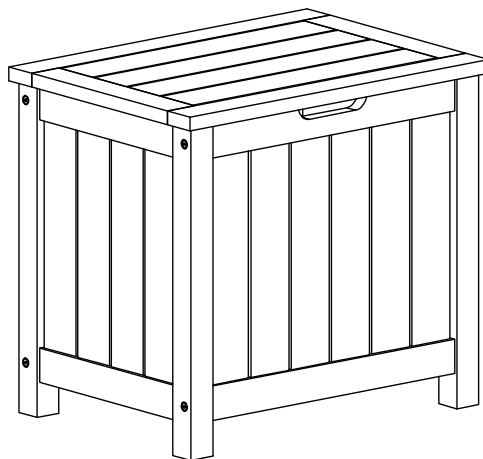
**CAUTION: You must read this before you proceed**

## Care & Maintenance

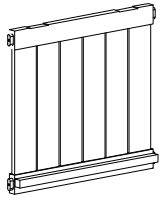
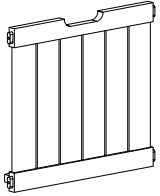
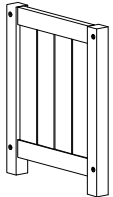
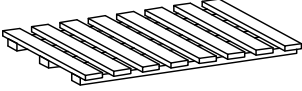

- ⊘  ● Not for commercial use. For residential use only.
  - ⊘  ● Do not put hot items directly on furniture surface.
  - ⊘  ● Do not clean furniture with harsh cleansers or polish.
  - ✓  ● To obtain the longest lifespan of your outdoor products, minimizing exposure to direct sunlight is recommended.
  - ⊘  ● Children should not climb or jump on the furniture.
  - ⊘  ● Do not write on furniture without a padded barrier to protect the surface.
  - ✓  ● To obtain the longest lifespan of your outdoor products, avoid extended and lengthy exposure to rain, snow, and direct sunshine. Whenever possible cover the product and /or place under patio or awnings.
  - ⊘  ● Stains may be removed with mild soap solution and damp cloth.
- ✓  ● Dust and pick-up spills using a clean, non-colored, lint-free cloth.

**Please look in Front Panel for hardware packs**

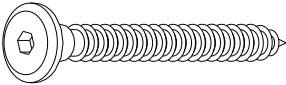
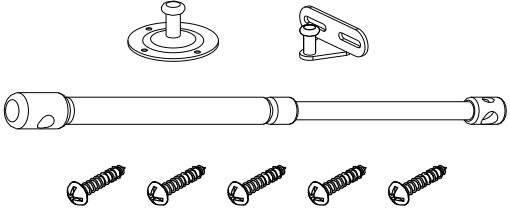
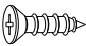

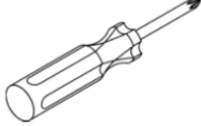
## DECK BOX



## Parts List

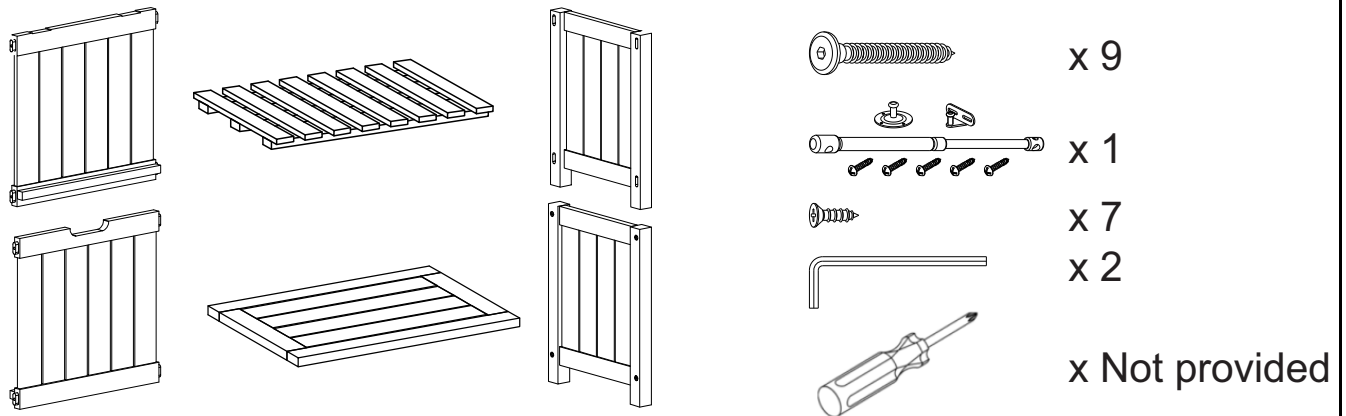
Label	Picture	Description	Qty
A		Back Panel	1
B		Front Panel	1
C		Side Panel	2
D		Bottom Panel	1
E		Top Panel	1

## Hardware

Label	Picture	Description	Qty
①		Screw (M7 x 70)	9 pcs
②		Hydraulic cylinder	1 set
③		Screw (M3.5 x 15)	7 pcs
④		Allen Wrench	2 pcs
⑤		Screwdriver (Not provided)	1 pc

## Assembly Preparation

### Before Beginning Assembly:



- Read instructions, cover to cover-



- Have 2 adults on hand for assembly-



- Do not assemble on flooring or carpet-

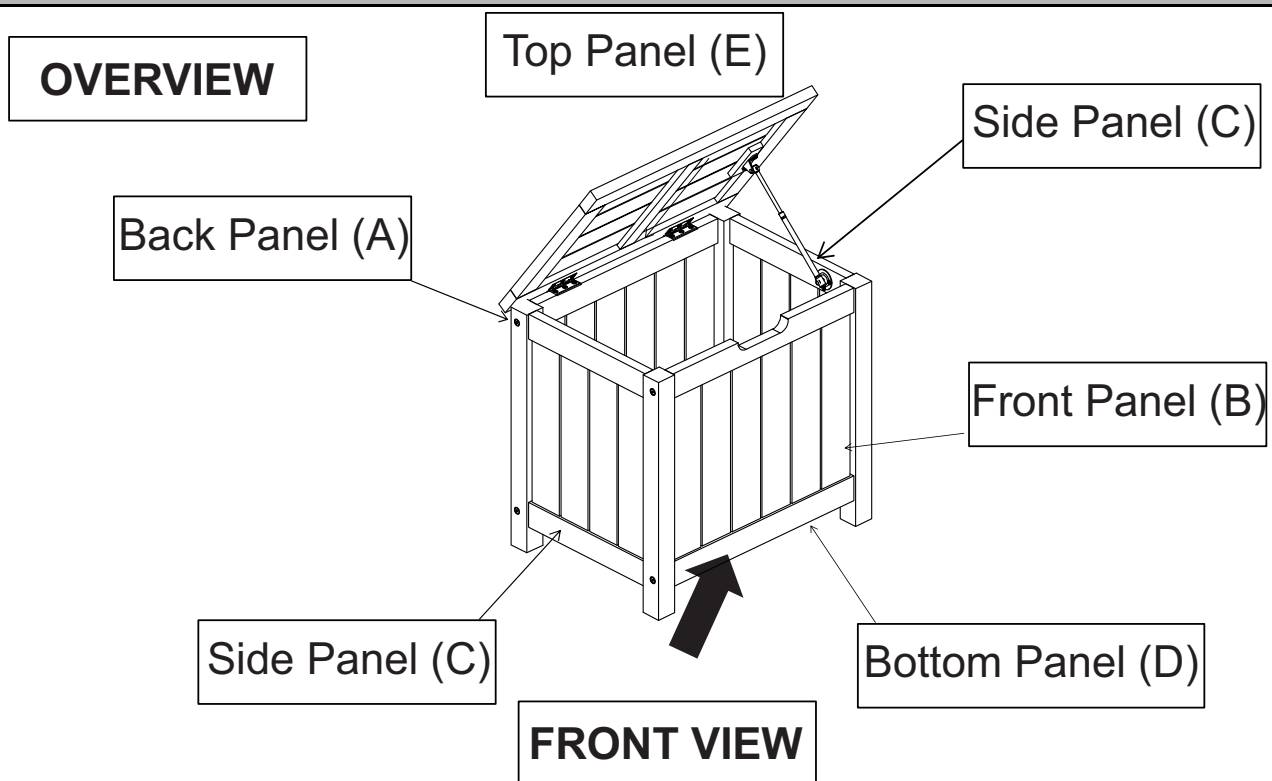


- Assemble on a clean non-marring surface (packing foam)-



- Save all packaging until finished-

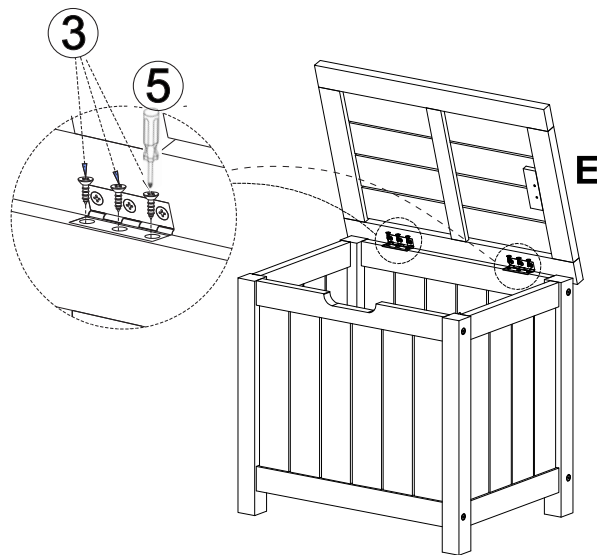
## Assembly Steps



This Deck box has multiple parts and may require up to 20 minutes to assemble. To give you an overview of the Deck box, the above picture is to help you put the various parts into perspective. Please read through the instructions here below to familiarise yourself with the parts and steps before assembly.



### Step 4:

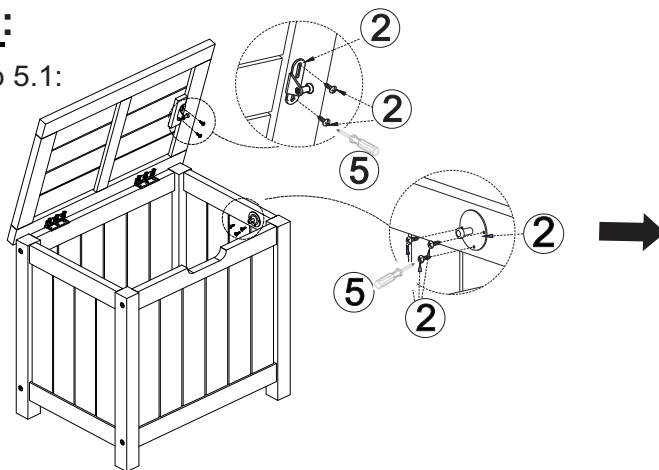


Attach the Top Panel (E) to the Back Panel (A), using 6 Screws (③) and the Screwdriver (⑤)

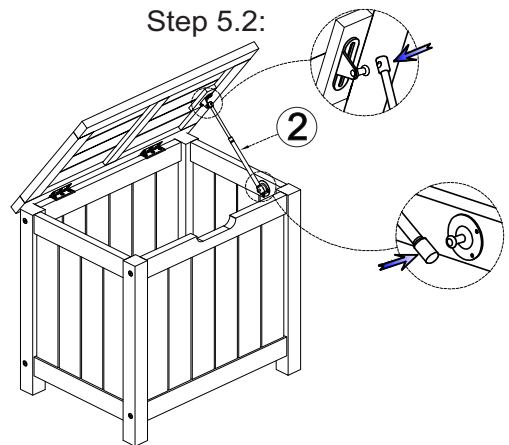
**Do not fully tighten the screws**

### Step 5:

Step 5.1:



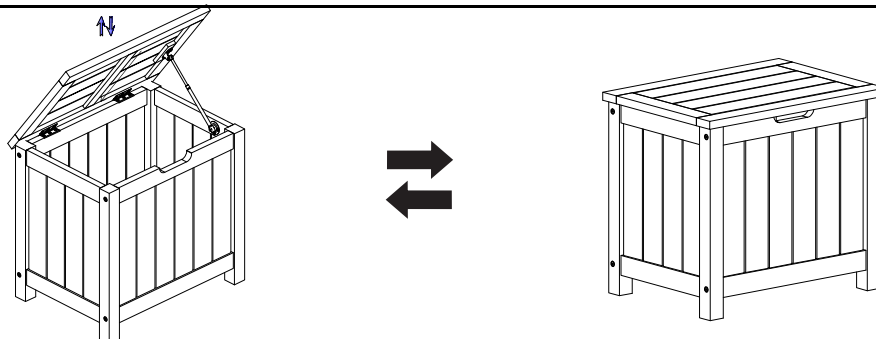
Step 5.2:



Use hydraulic cylinder (②) to assemble into the Top Panel (E) and the Side Panel (C).

**Do not fully tighten the screws**

### Step 6:



Now tighten all Screws at all joints in a sequential manner.

When tightening the Screws tighten sequentially.

Do not tighten any Screw fully and then move on towards the next one.

Your Deck box is ready for use.

Caution: The Deck box is not a seating, please do not seat or stand on it.

This Deck box can only be used on a flat, level surface.