

Attention please:

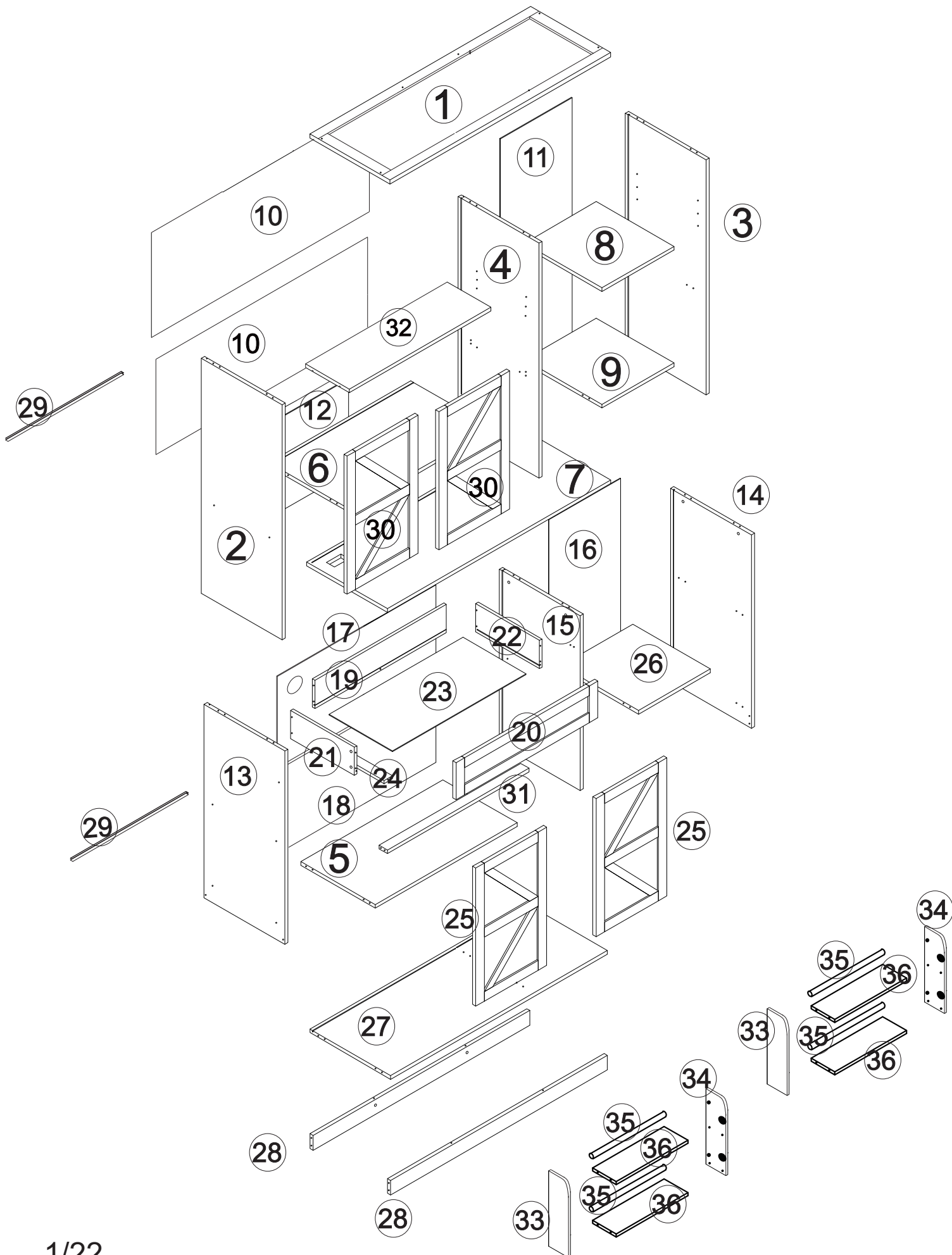
**Improper use of screws may cause the product surface damage!
Please be careful when installing.**

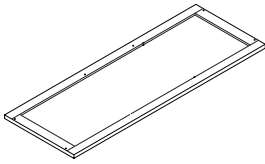
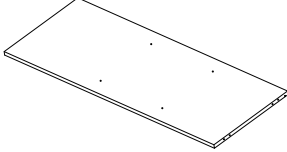
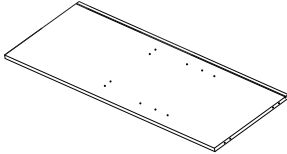
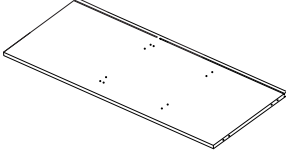
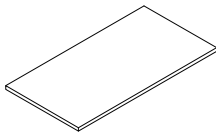
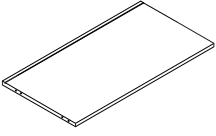
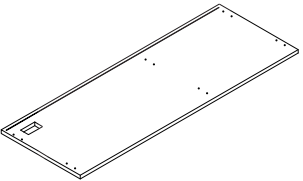
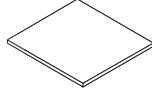
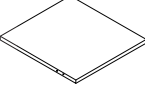
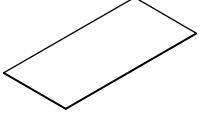

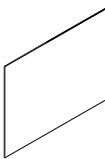
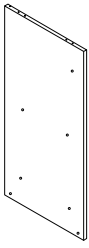



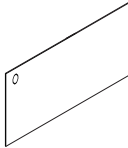
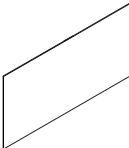
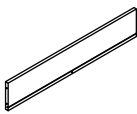
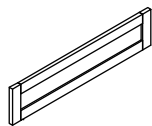
To prevent you from confusing the accessories and boards, Please do not mix the parts of different units when you buy two or more products at the same time.

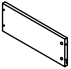
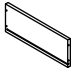
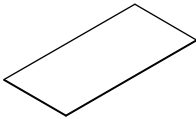

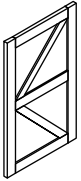
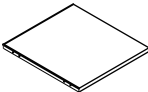
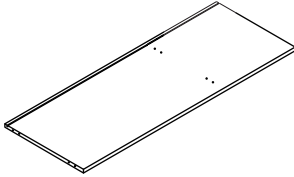
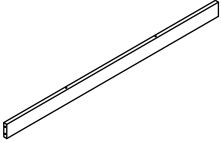
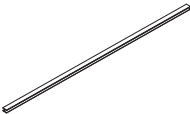
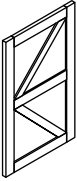
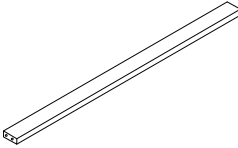
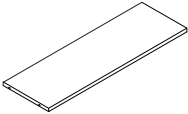

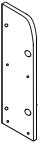

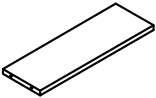
READ AND SAVE THIS INSTRUCTIONS FOR FUTURE USE

ASSEMBLY & INSTRUCTION MANUAL

PRODUCT ASSEMBLY




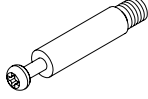
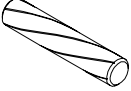

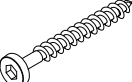

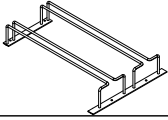
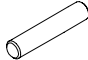
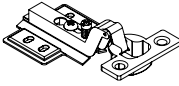

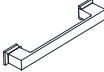
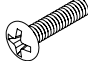


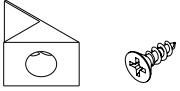
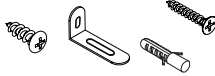
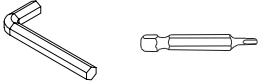
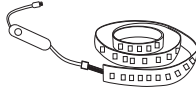


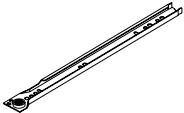
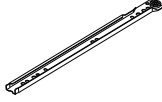
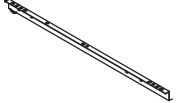
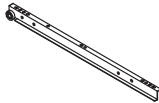
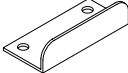
<p>① x1</p> 	<p>② x1</p> 	<p>③ x1</p> 	<p>④ x1</p> 
<p>⑤ x1</p> 	<p>⑥ x1</p> 	<p>⑦ x1</p> 	<p>⑧ x1</p> 
<p>⑨ x1</p> 	<p>⑩ x2</p> 	<p>⑪ x1</p> 	<p>⑫ x1</p> 
<p>⑬ x1</p> 	<p>⑭ x1</p> 	<p>⑮ x1</p> 	<p>⑯ x1</p> 
<p>⑰ x1</p> 	<p>⑱ x1</p> 	<p>⑲ x1</p> 	<p>⑳ x1</p> 

<p>21 x1</p> 	<p>22 x1</p> 	<p>23 x1</p> 	<p>24 x1</p> 
<p>25 x2</p> 	<p>26 x1</p> 	<p>27 x1</p> 	<p>28 x2</p> 
<p>29 x2</p> 	<p>30 x2</p> 	<p>31 x1</p> 	<p>32 x1</p> 
<p>33 x2</p> 	<p>34 x2</p> 	<p>35 x4</p> 	<p>36 x4</p> 

Components - Fittings




Please check you have all the panels listed below

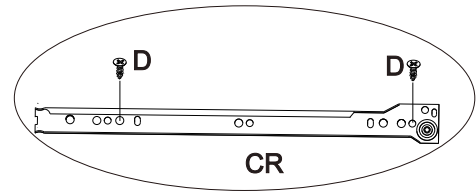
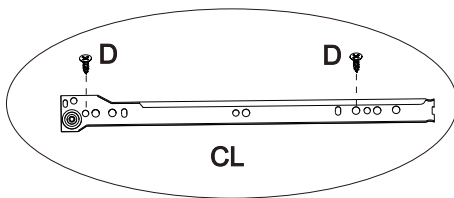
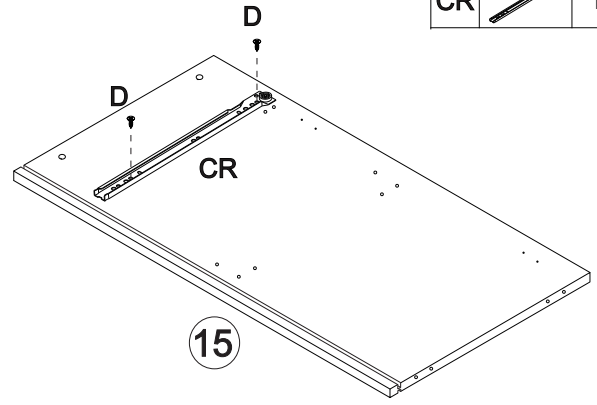
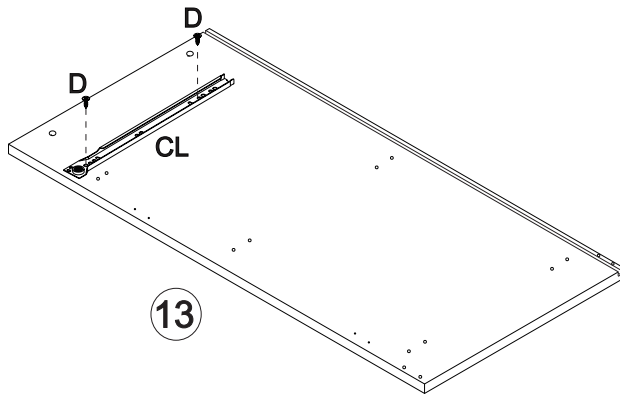
Note: The quantitie below are the correcet amount to complete the assembly. In some cases more fittings may be supplied than are required.

A		39PCS +1 PC	B		39PCS +1 PC
C		54PCS +2PC	D	 3.5*12MM	14PCS +1 PC
E	 5*40MM	40PCS +2PC	F	 4*14MM	48PCS +2PC
G		1PC	H		8PCS
I		8PCS	J		1PC
K		5PCS	L	 4*20MM	8PCS +1 PC
M	 4*30MM	5PCS	N	 3*12MM	2PCS
O		20sets	P		2PCS
Q		1PC	R		1PC
S		4PCS	T	 4*10MM	2PC
CL		1PC	CR		1PC
DL		1PC	DR		1PC
U		1PC			



PRODUCT ASSEMBLY

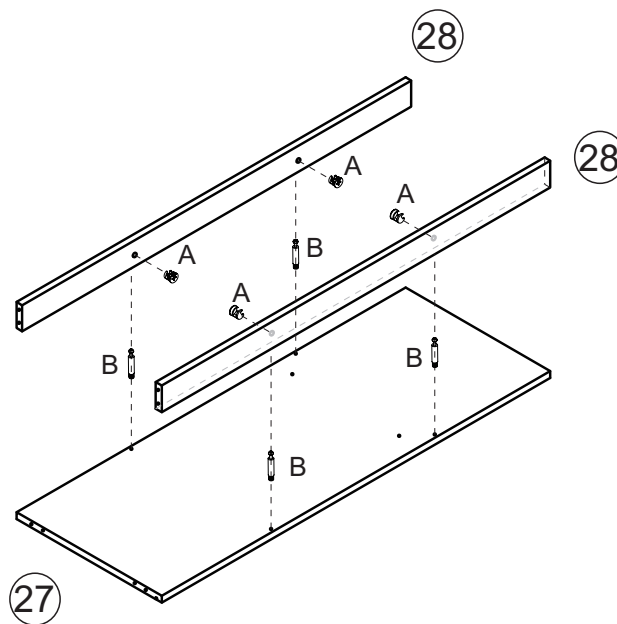
Step 1

D		4PCS
CL		1PC
CR		1PC





Step 2

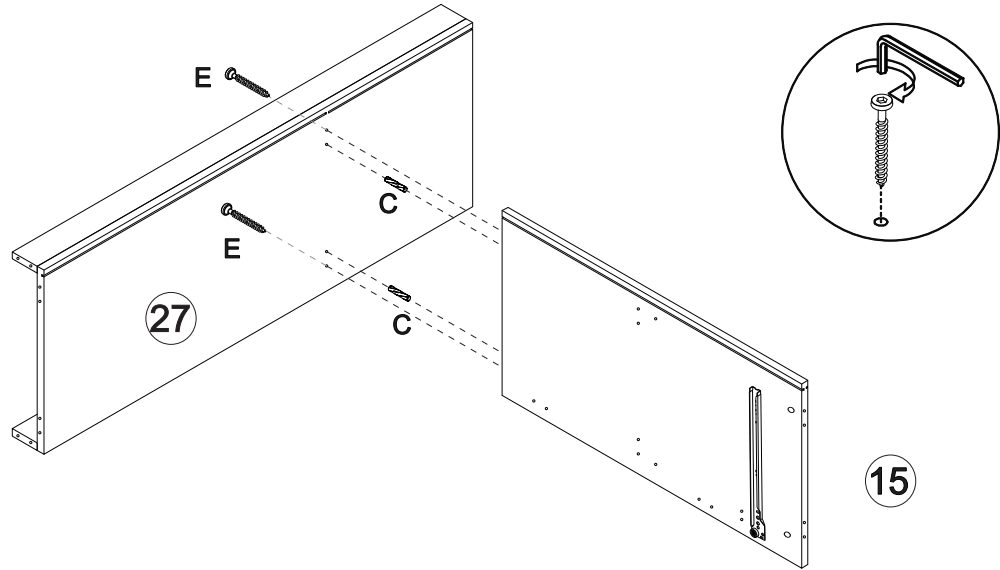
A		4PCS
B		4PCS



PRODUCT ASSEMBLY

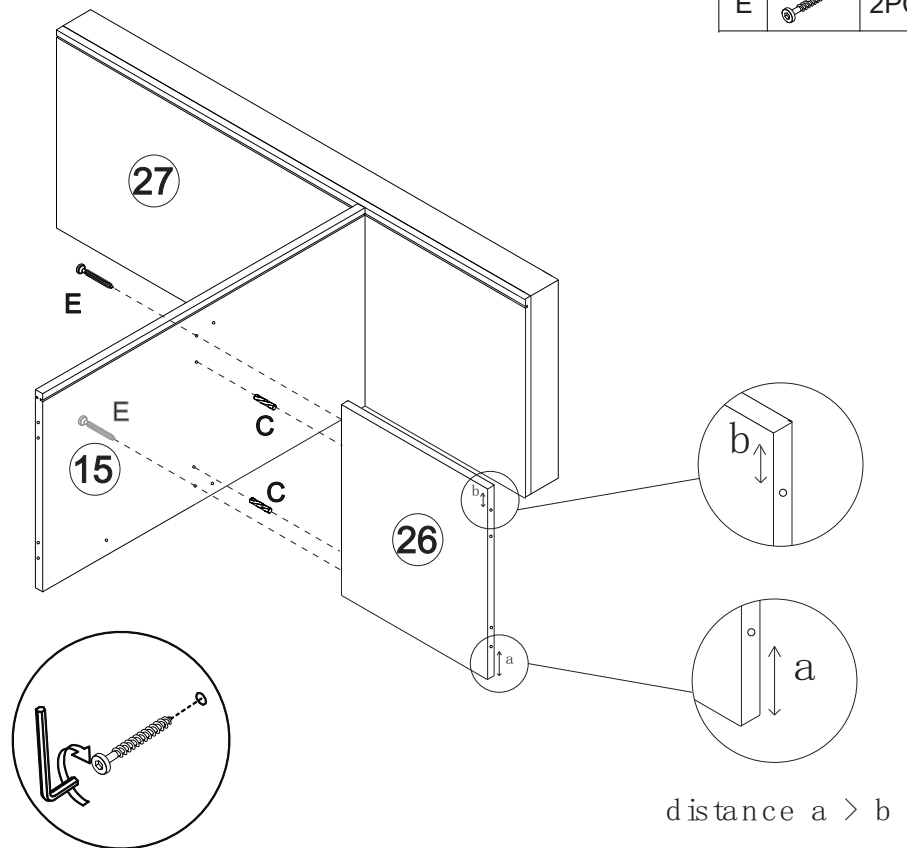
Step 3

C		2PCS
E		2PCS





Step 4

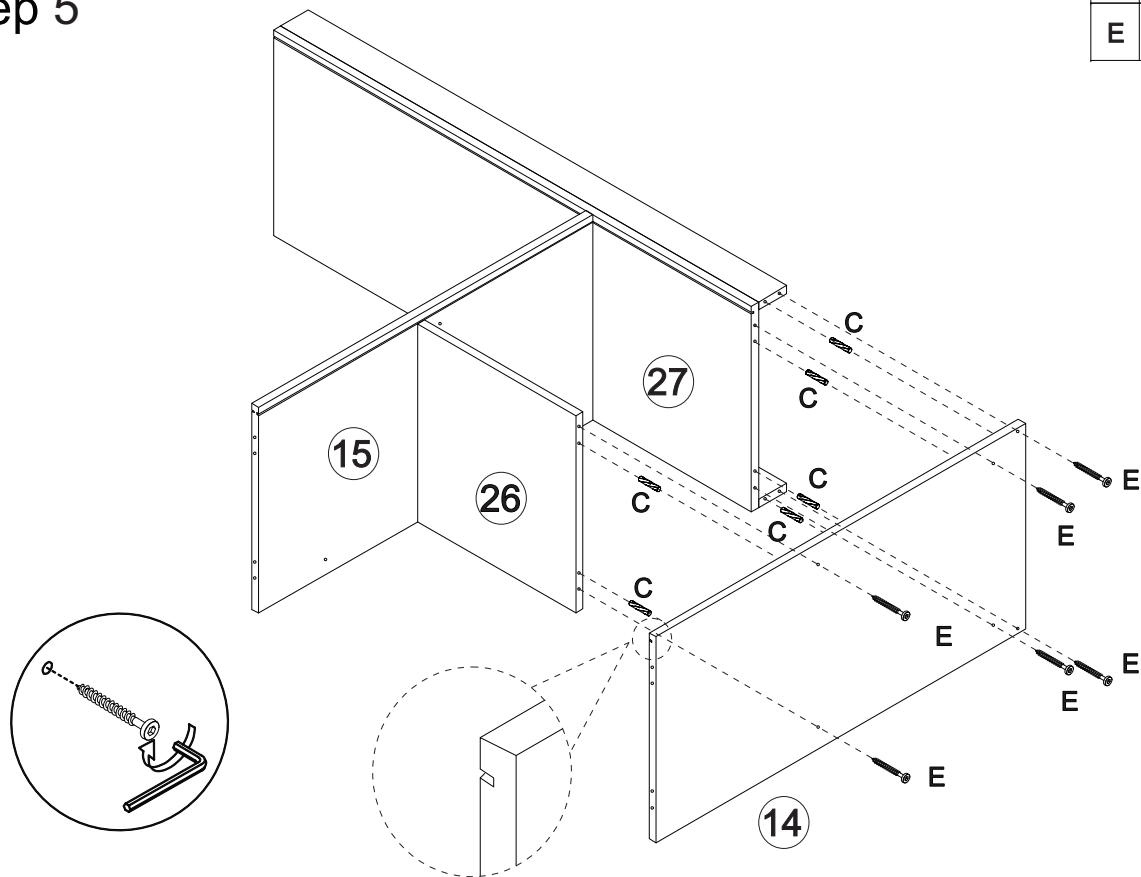
C		2PCS
E		2PCS



PRODUCT ASSEMBLY

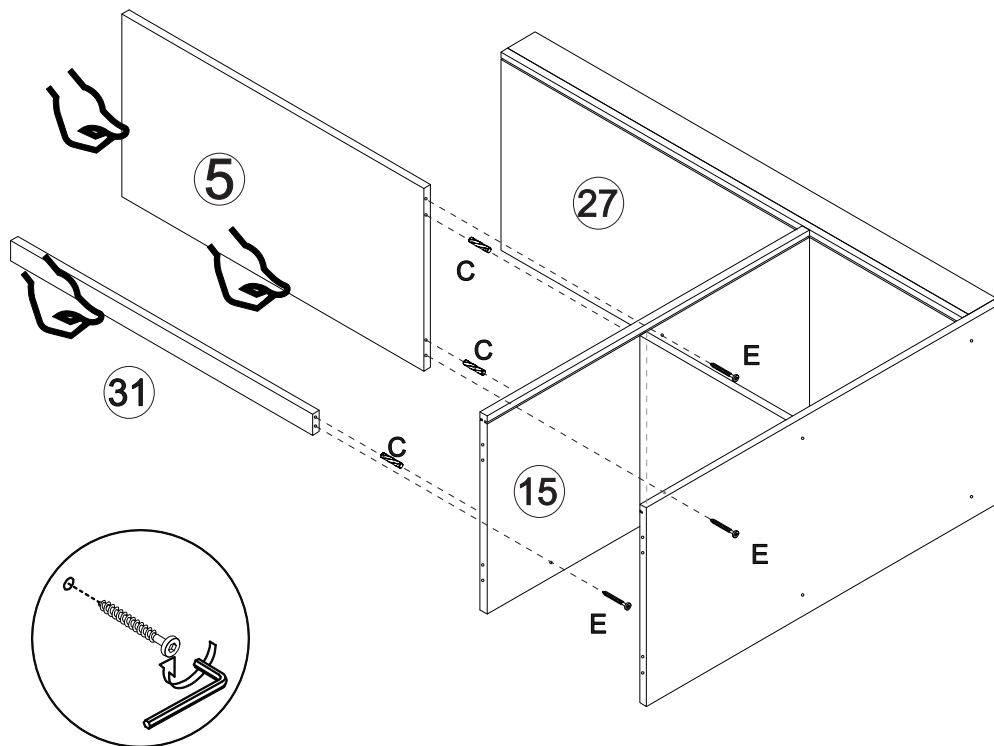
Step 5

C		6PCS
E		6PCS





Step 6

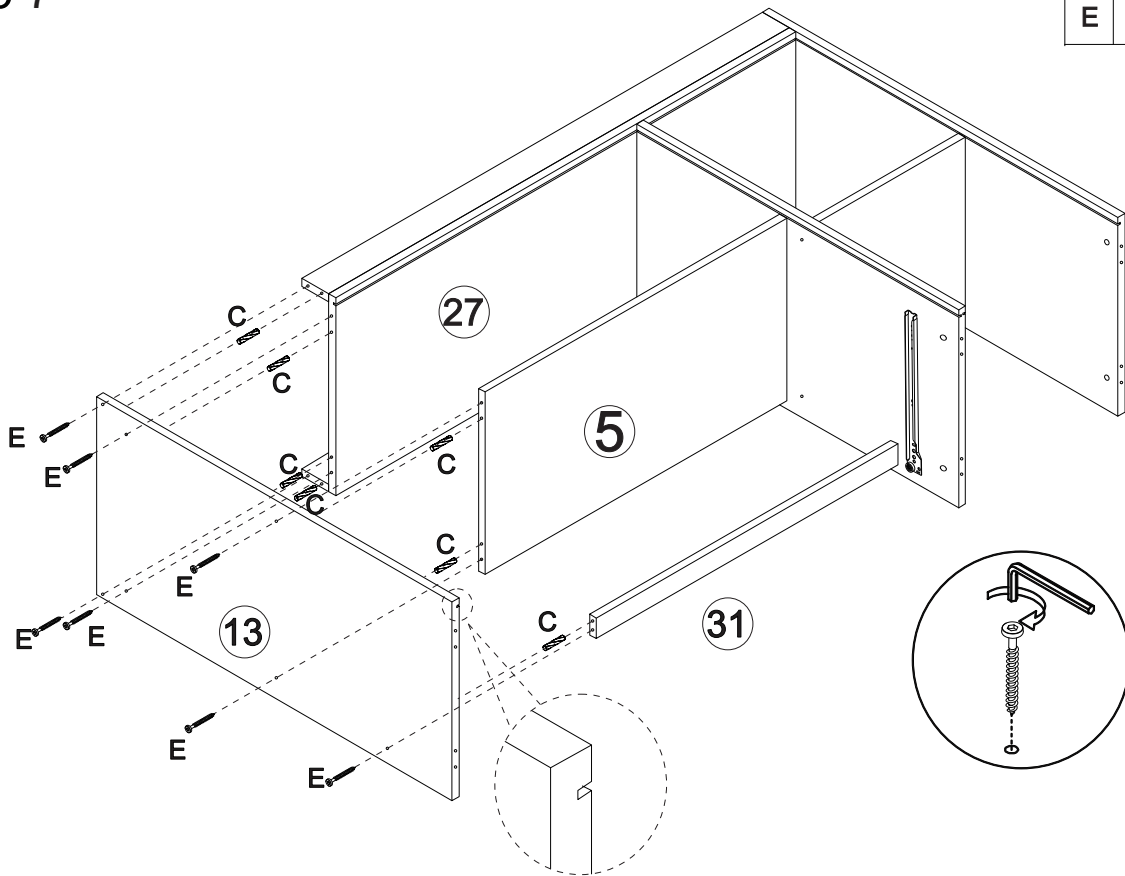
C		3PCS
E		3PCS



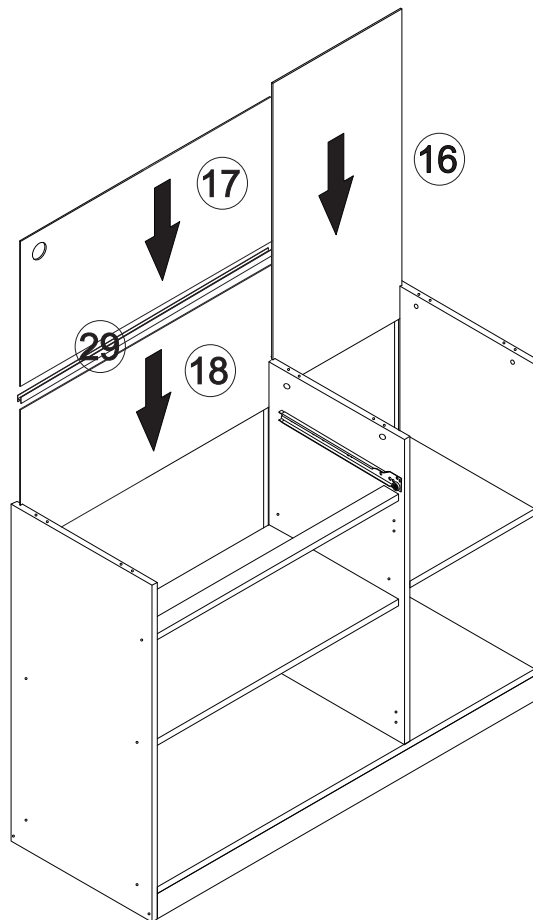
PRODUCT ASSEMBLY

Step 7

C		7PCS
E		7PCS







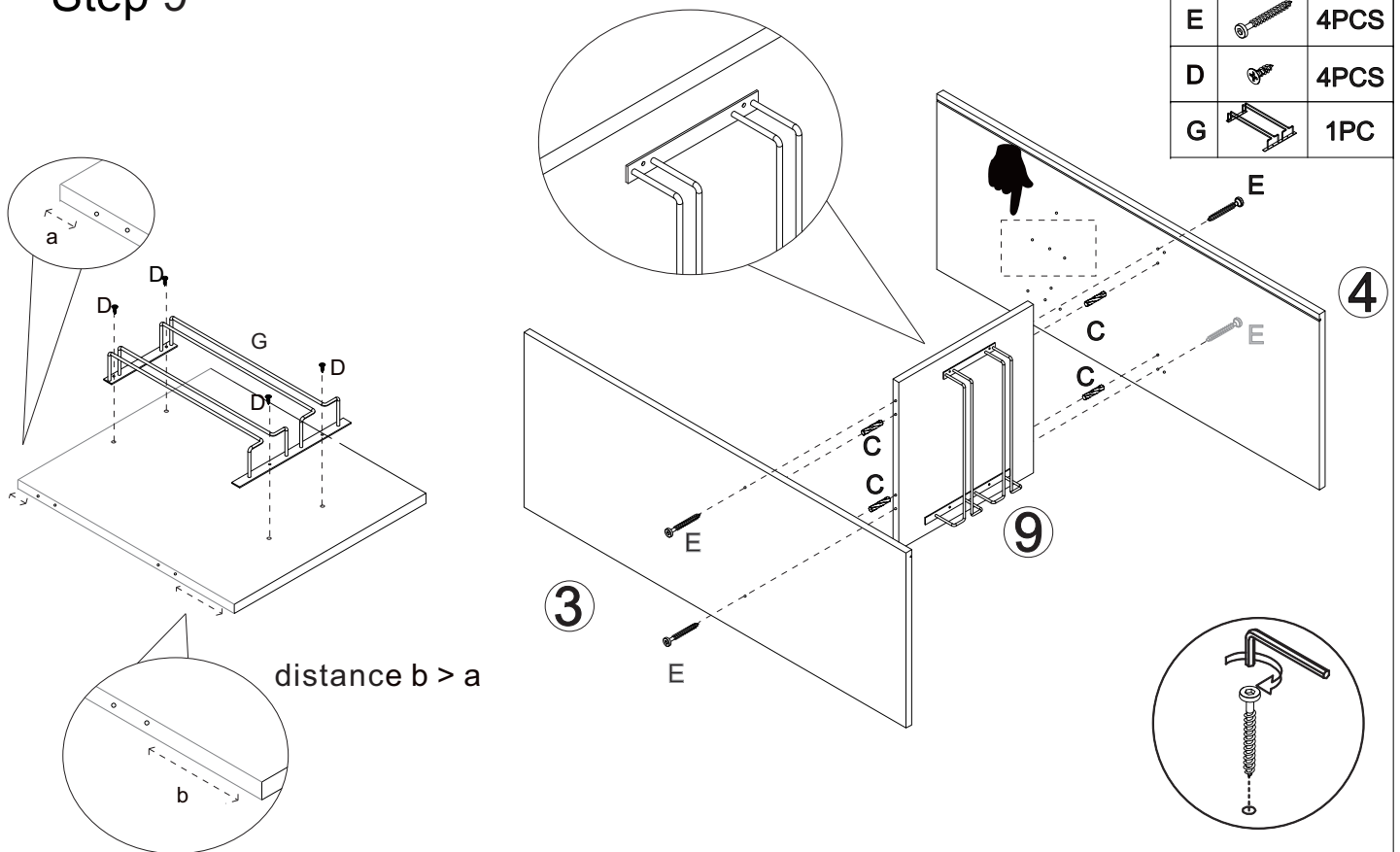
Step 8



PRODUCT ASSEMBLY




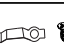
Step 9

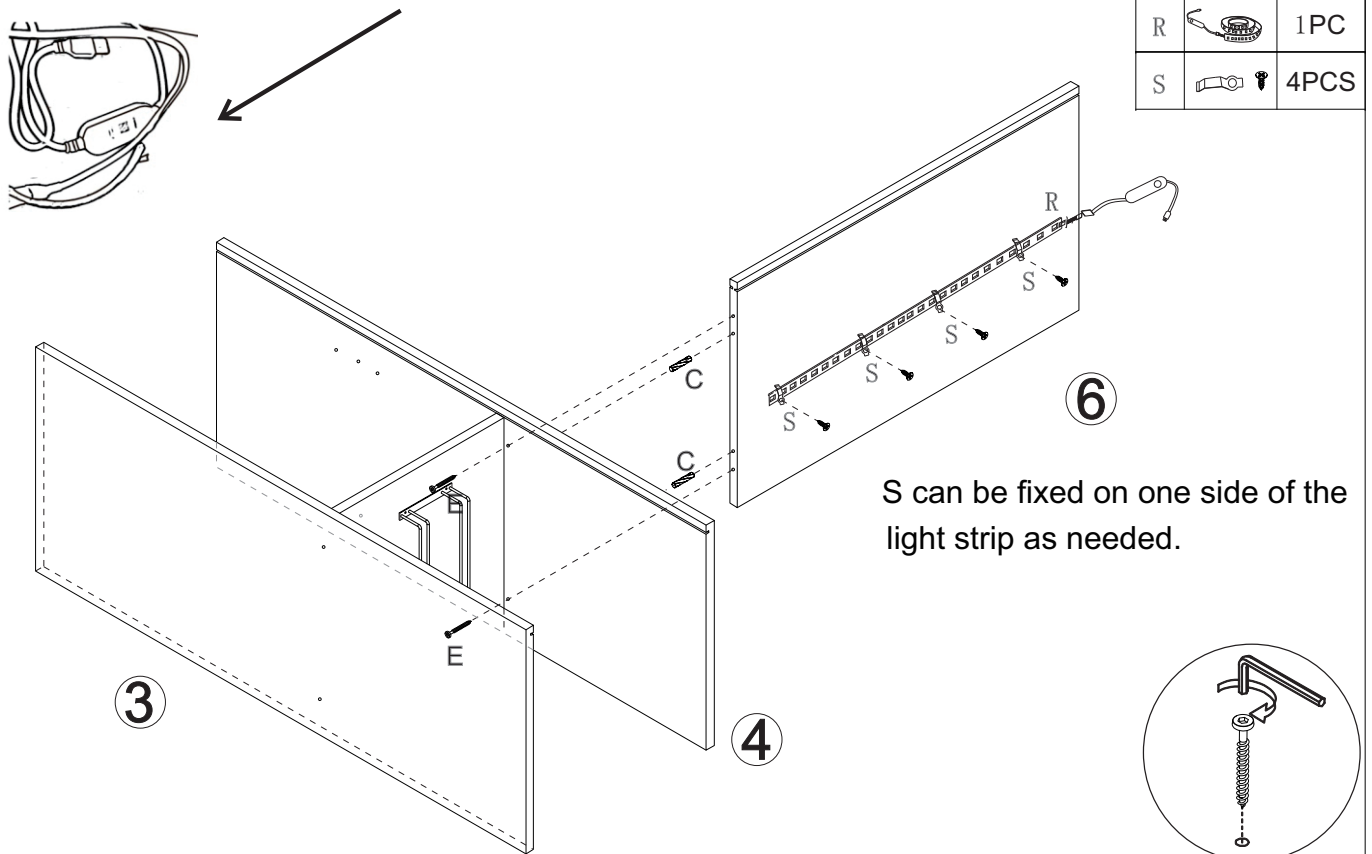
C		4PCS
E		4PCS
D		4PCS
G		1PC



Step 10



Please pay attention to the installation direction of part "R"

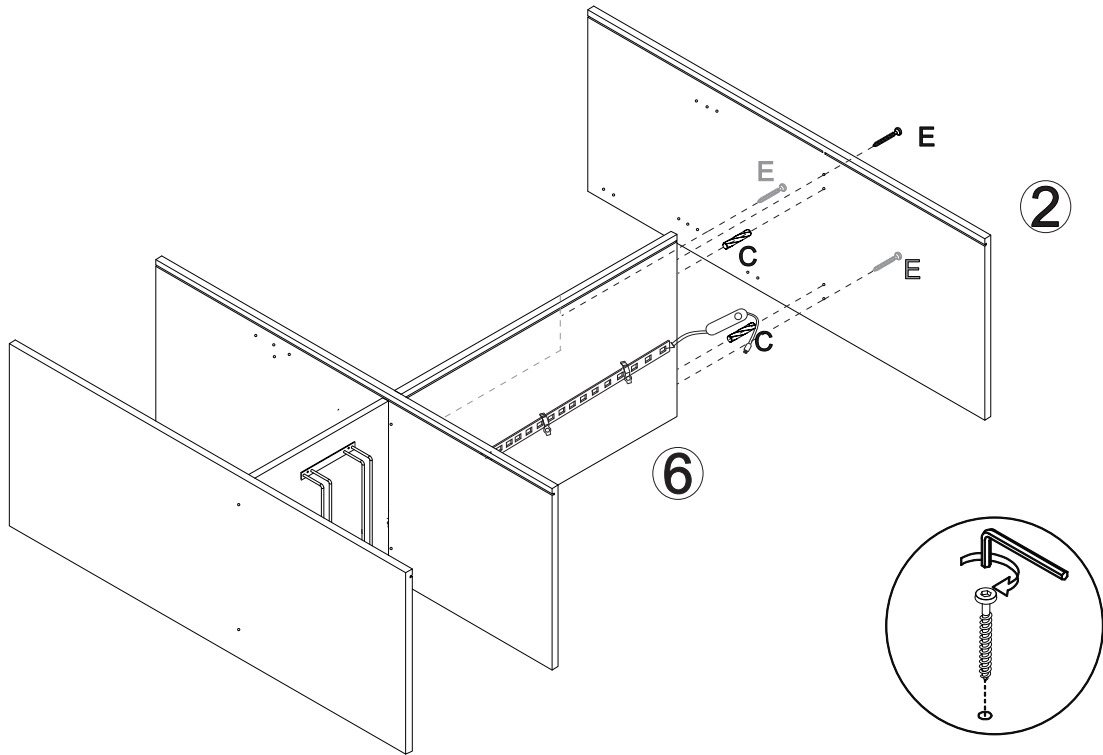
C		2PCS
E		2PCS
R		1PC
S		4PCS



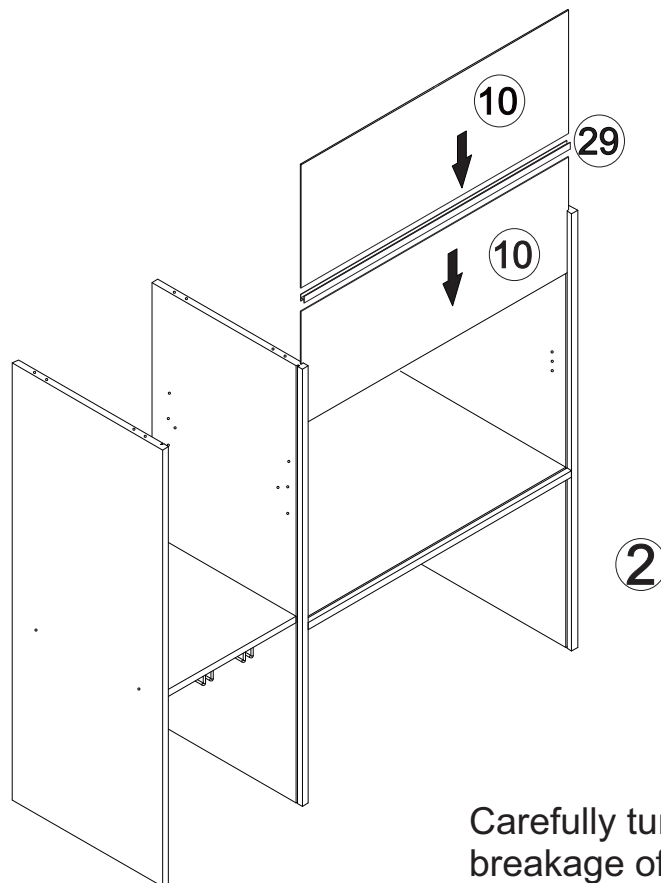
PRODUCT ASSEMBLY

Step 11

C		2PCS
E		2PCS



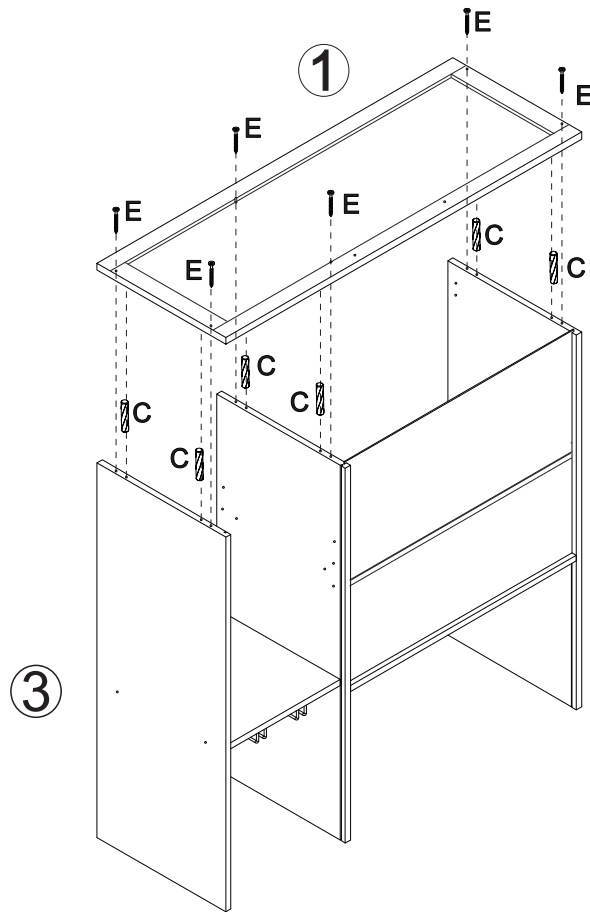
Step 12





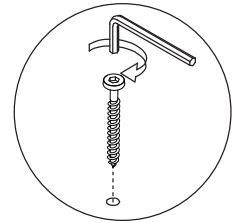
Carefully turn over to avoid breakage of the side panel;

PRODUCT ASSEMBLY

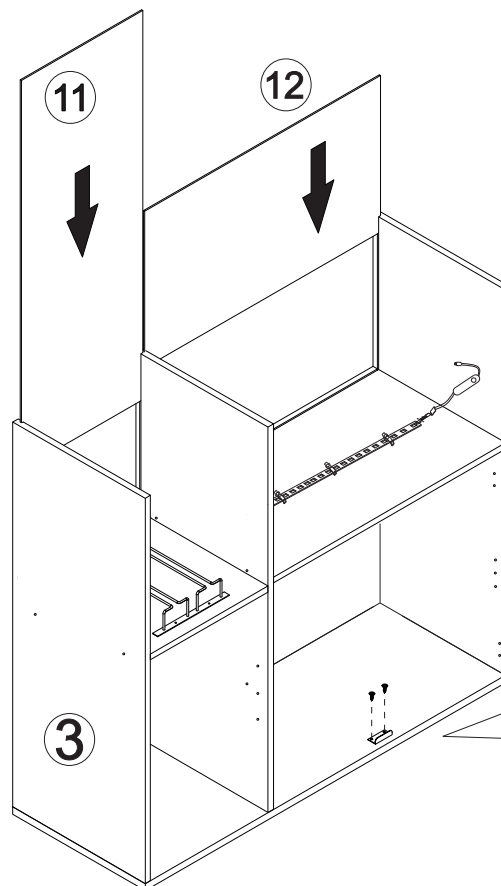
Step 13





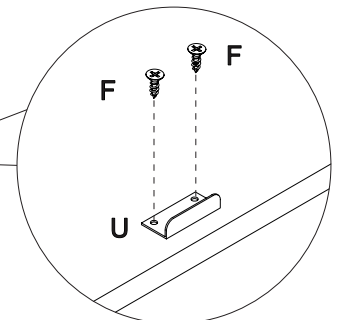
C		6PCS
E		6PCS



Step 14

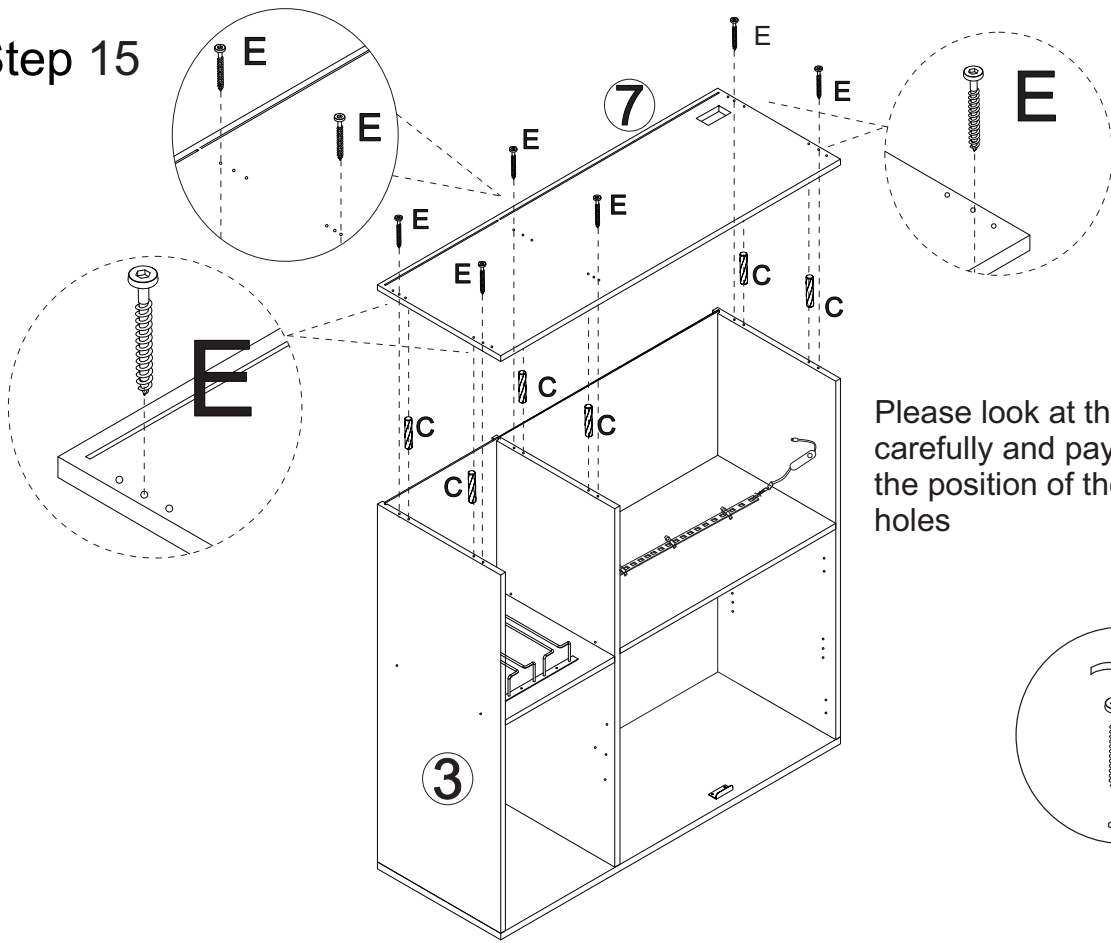


F		2PCS
U		1PCS



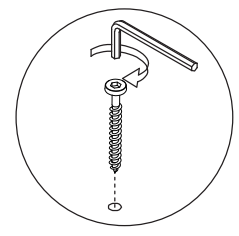
PRODUCT ASSEMBLY

Step 15

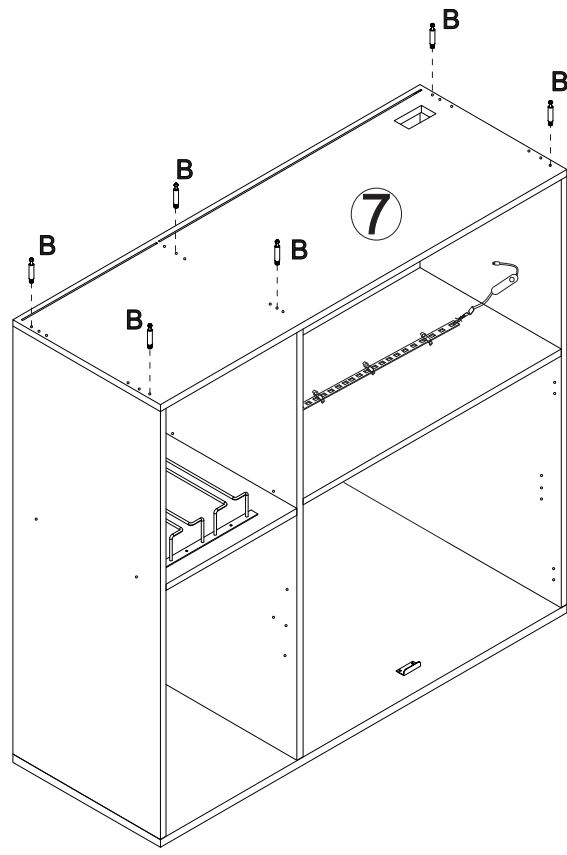


C		6PCS
E		6PCS

Please look at the diagram carefully and pay attention to the position of the screw fixing holes



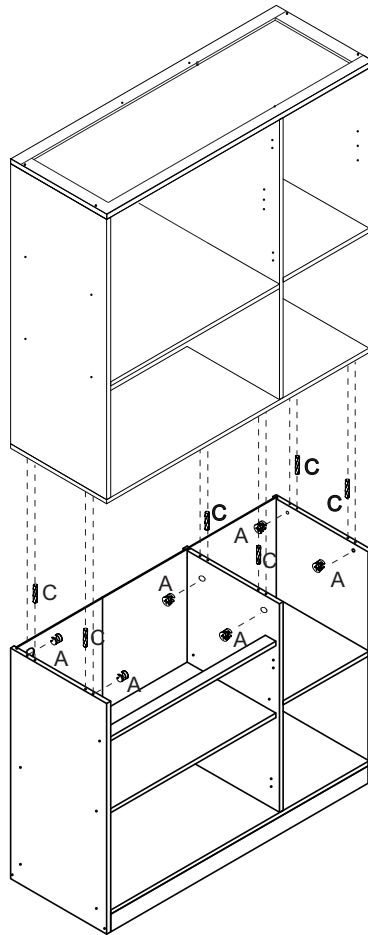
Step 16



B		6PCS
---	--	------

PRODUCT ASSEMBLY

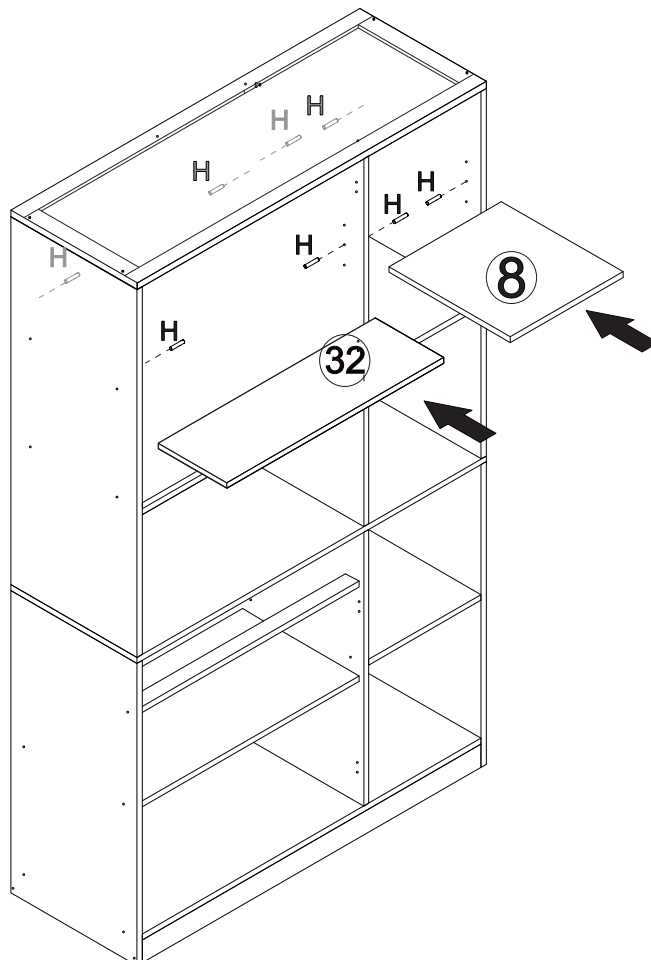
Step 17



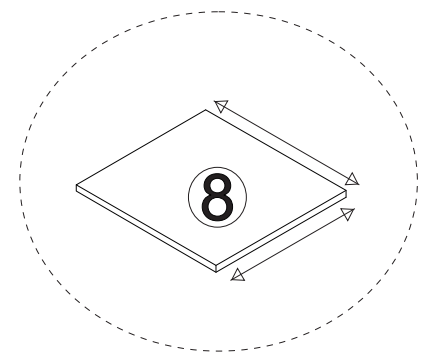
A		6PCS
C		6PCS

It needs two people to install, carefully align the hole, and a person needs to hold the upper cabinet when fixing the screws;

Step 18





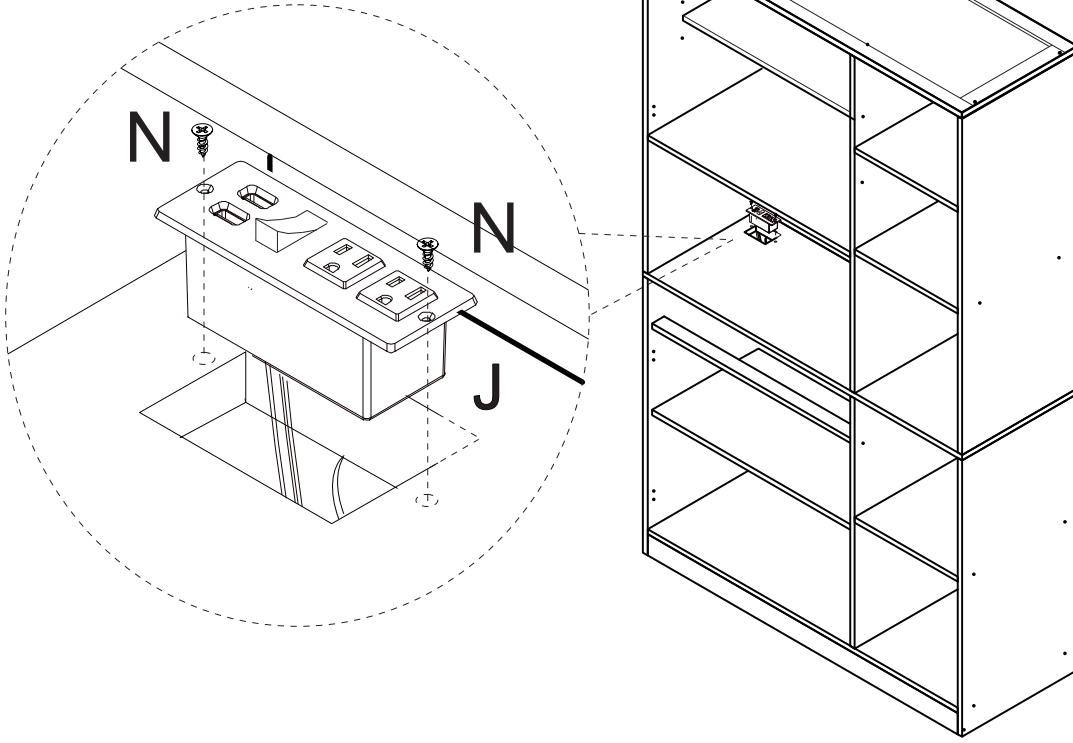
H		8PCS
---	--	------



PRODUCT

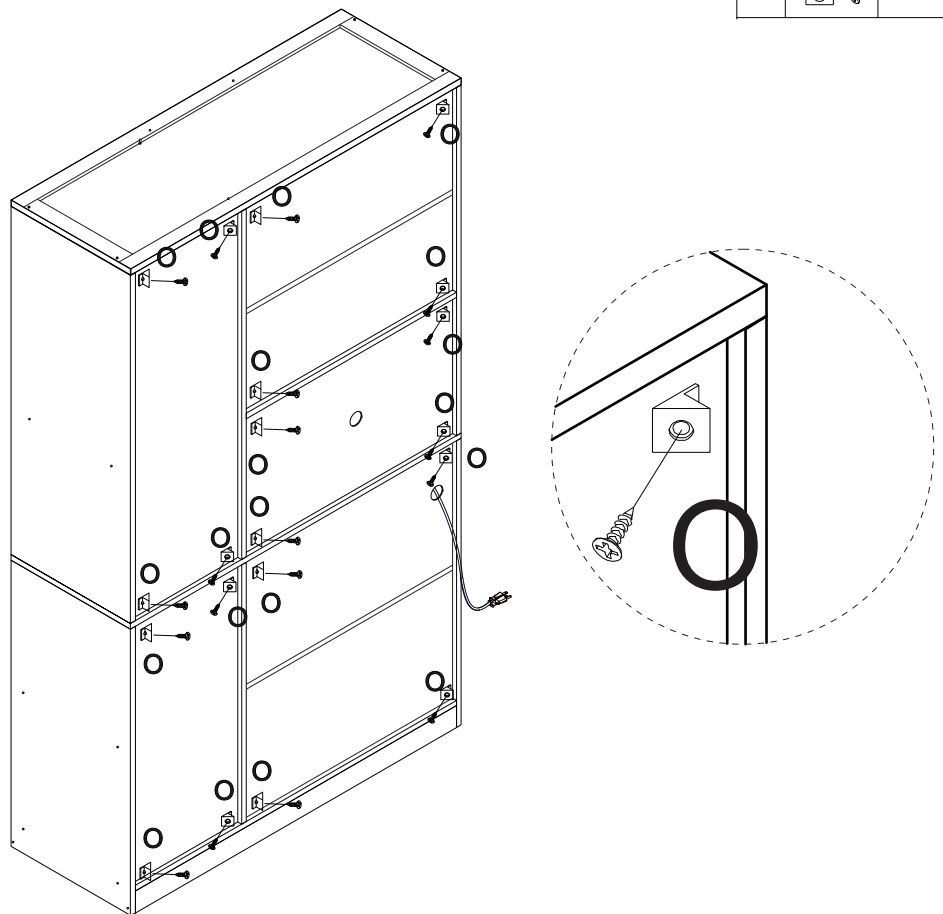
Step 19

J		1PCS
N		2PCS



Step 20

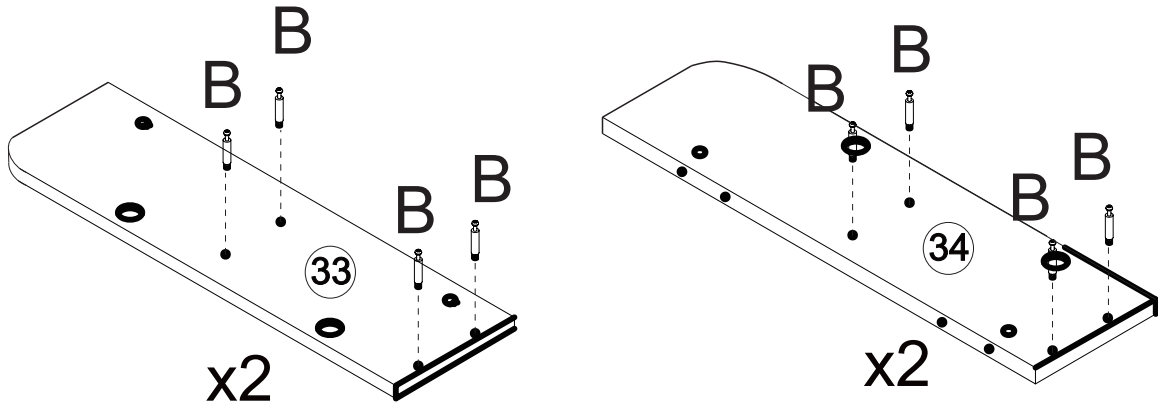
O		20 sets
---	---	---------



PRODUCT

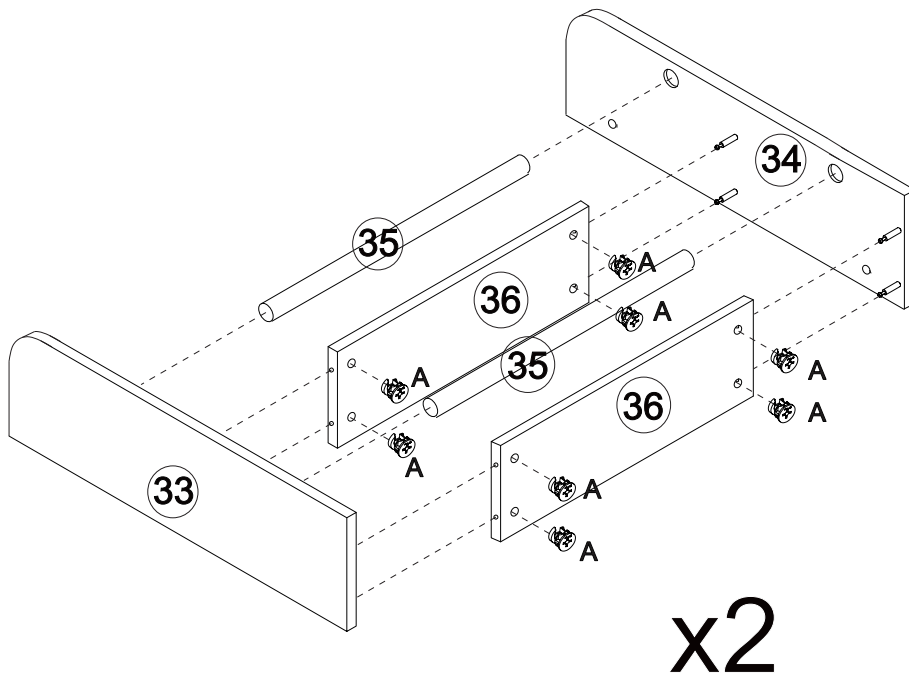
Step 21

B  16PCS



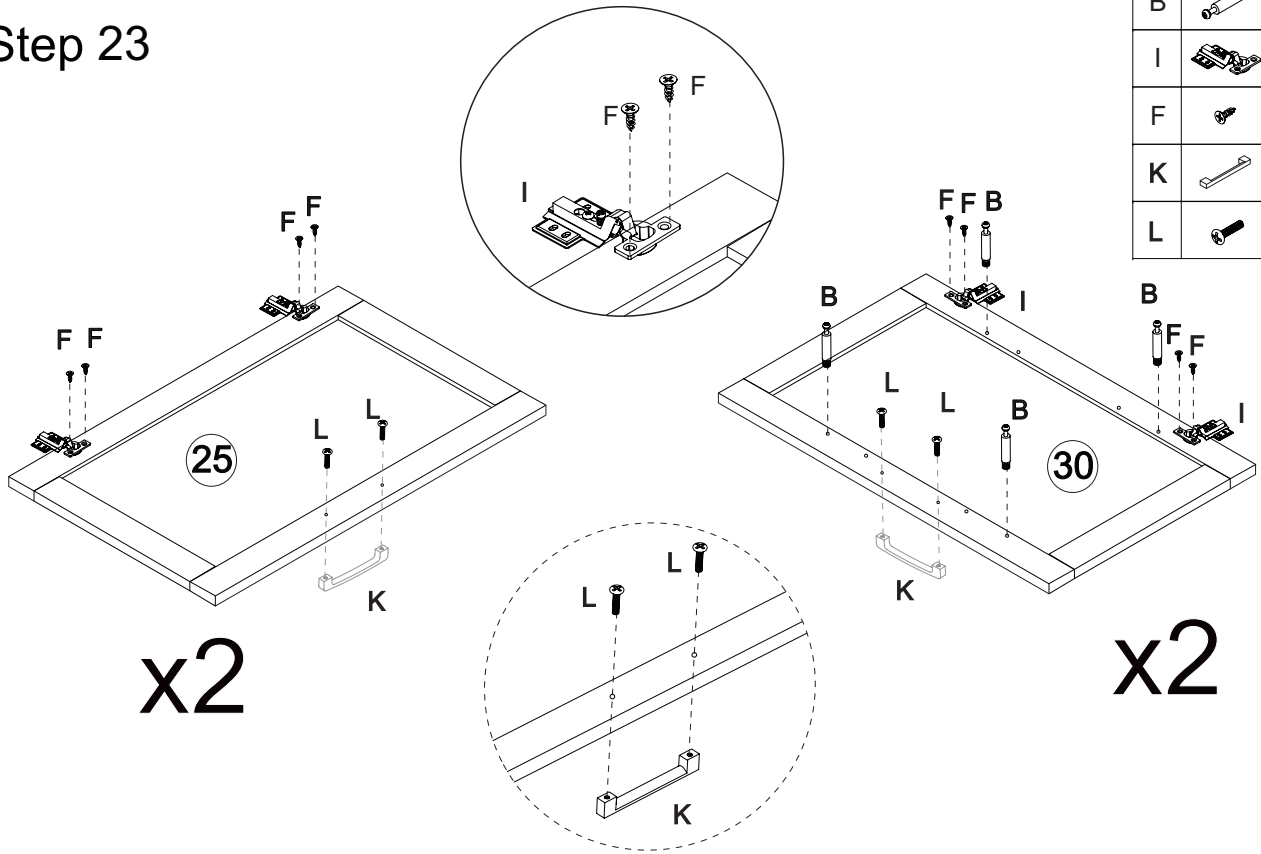
Step 22

A  16PCS



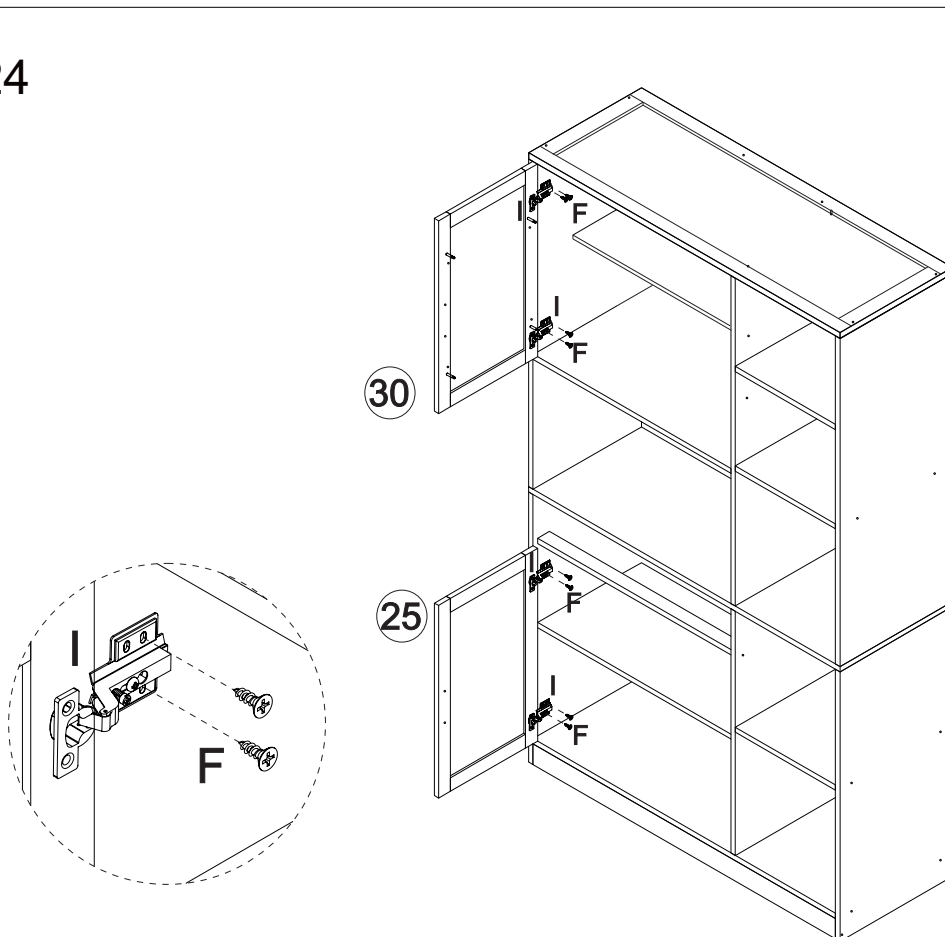
PRODUCT

Step 23



B		8PCS
I		8PCS
F		16PCS
K		4PCS
L		8PCS



Step 24

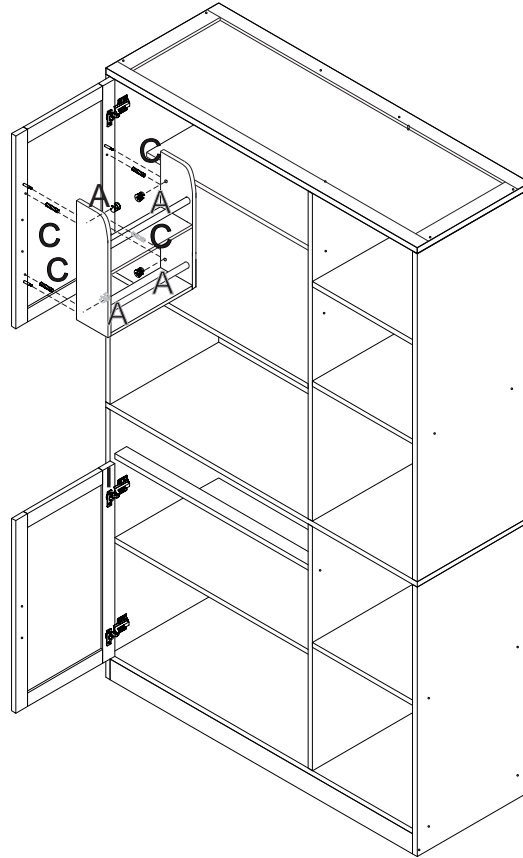
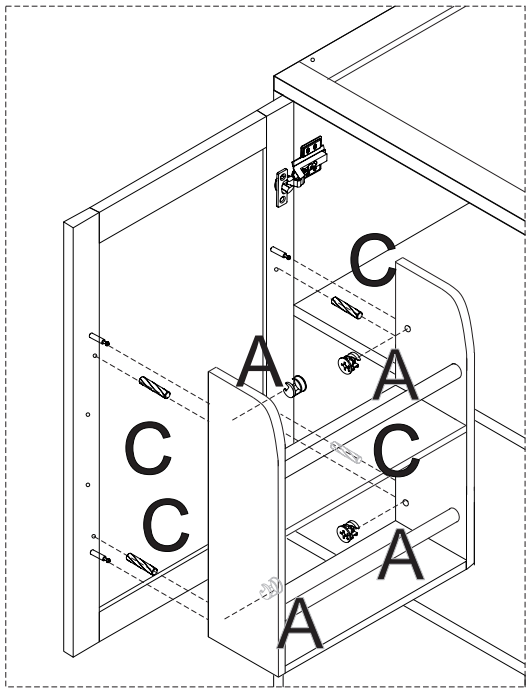


F		8PCS
---	--	------


PRODUCT ASSEMBLY

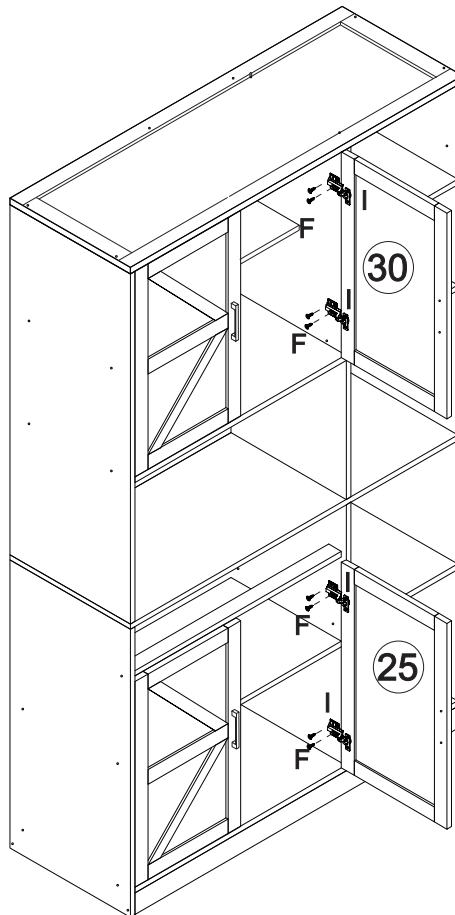
Step 25

A		4PCS
C		4PCS





Step 26

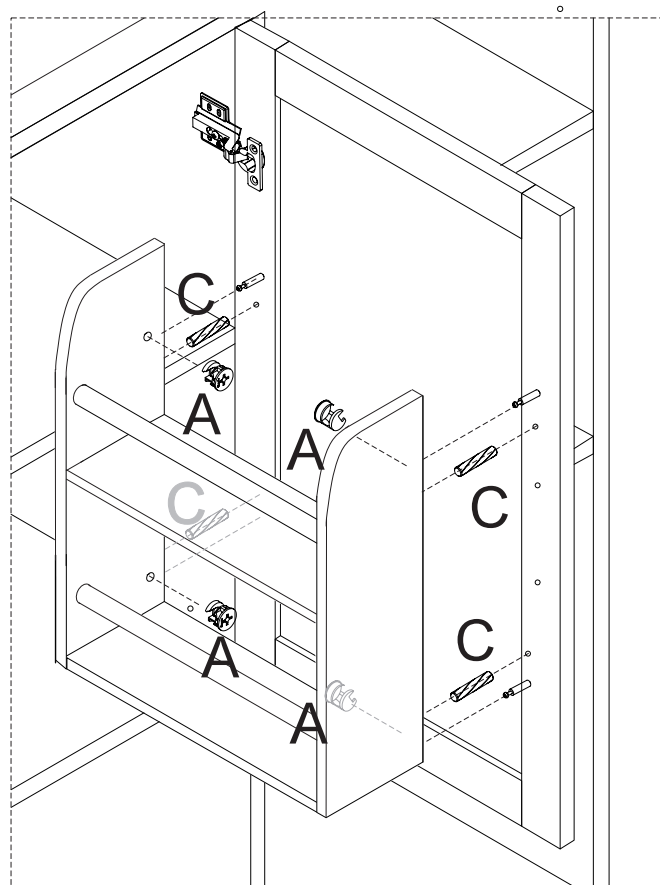
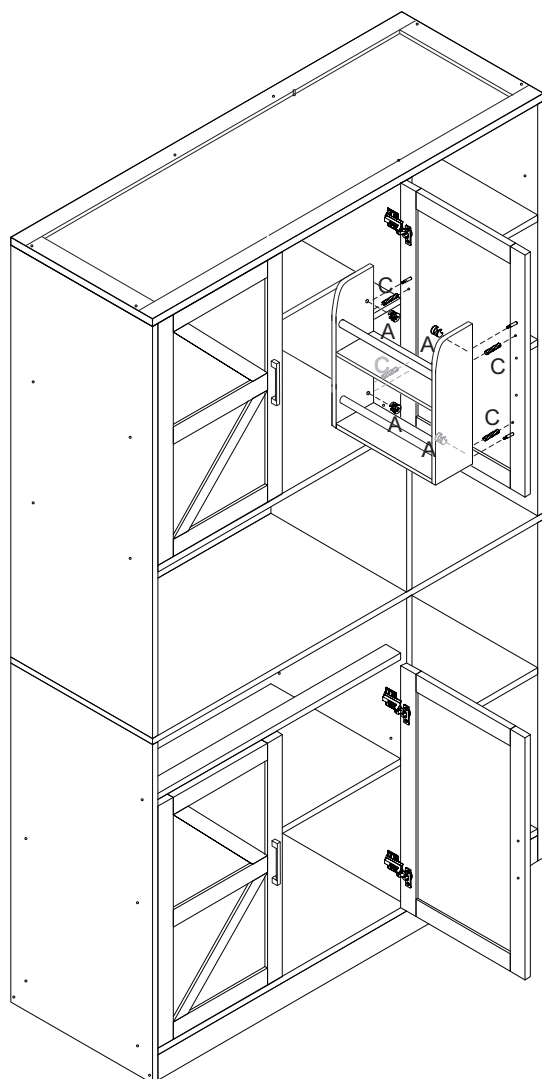
F		8PCS
---	---	------



PRODUCT ASSEMBLY

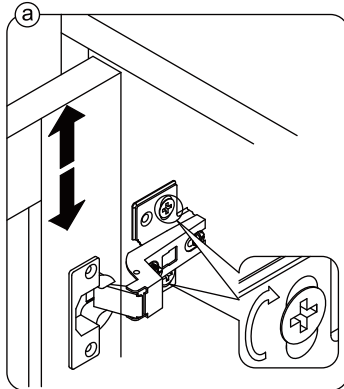
Step 27

A		4PCS
C		4PCS

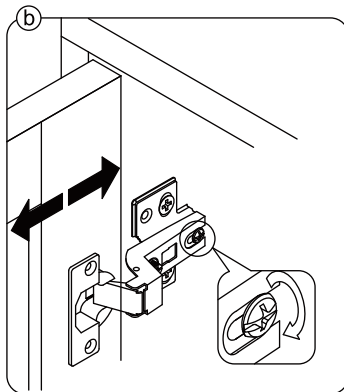


Step 28

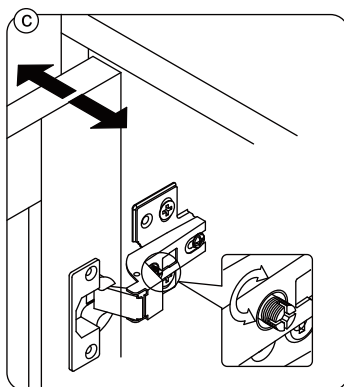
It may be necessary to adjust the hinges so that the doors align.
Use the instructions below as a guide.



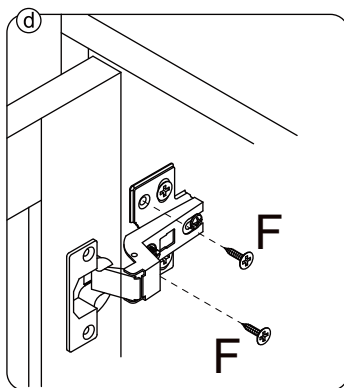
To adjust the door vertically loosen the screw as shown and move up and down as needed.



To adjust the gap from the door to the main frame turn the screw clockwise or anti-clockwise as needed.



To adjust the door laterally adjust the screw as shown by turning clockwise or anti-clockwise.



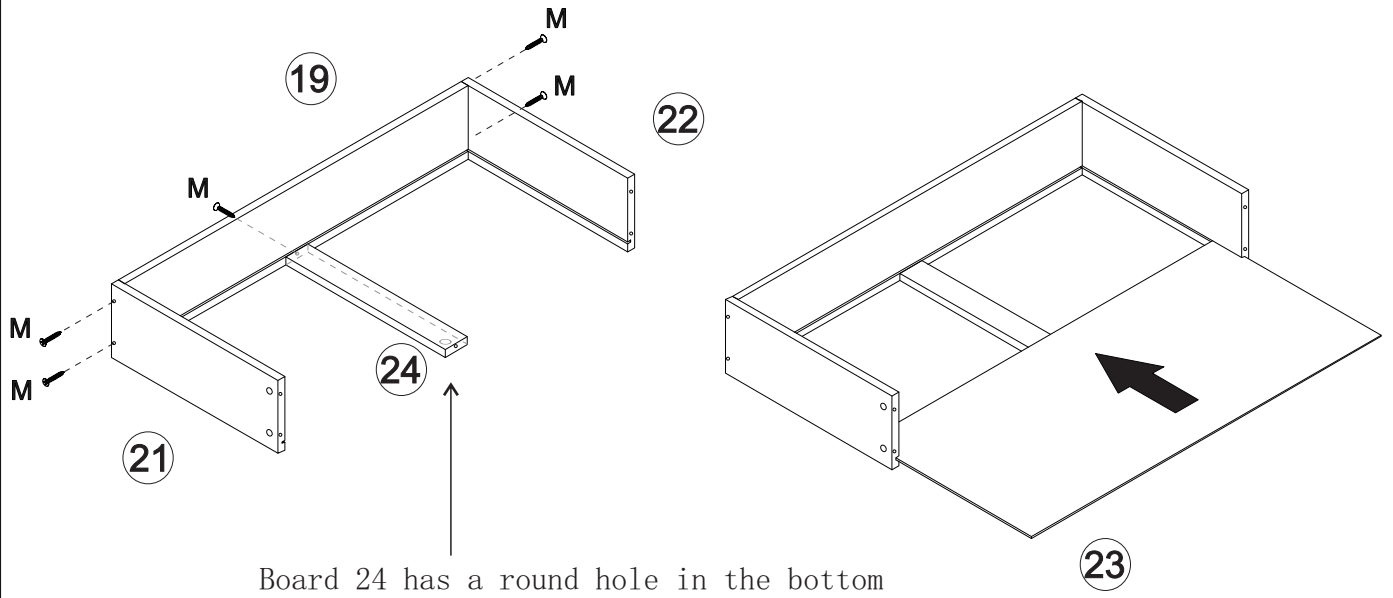
Please fix other screws

After the cabinet door is adjusted, lock the other two screws of the four cabinet doors;





PRODUCT ASSEMBLY

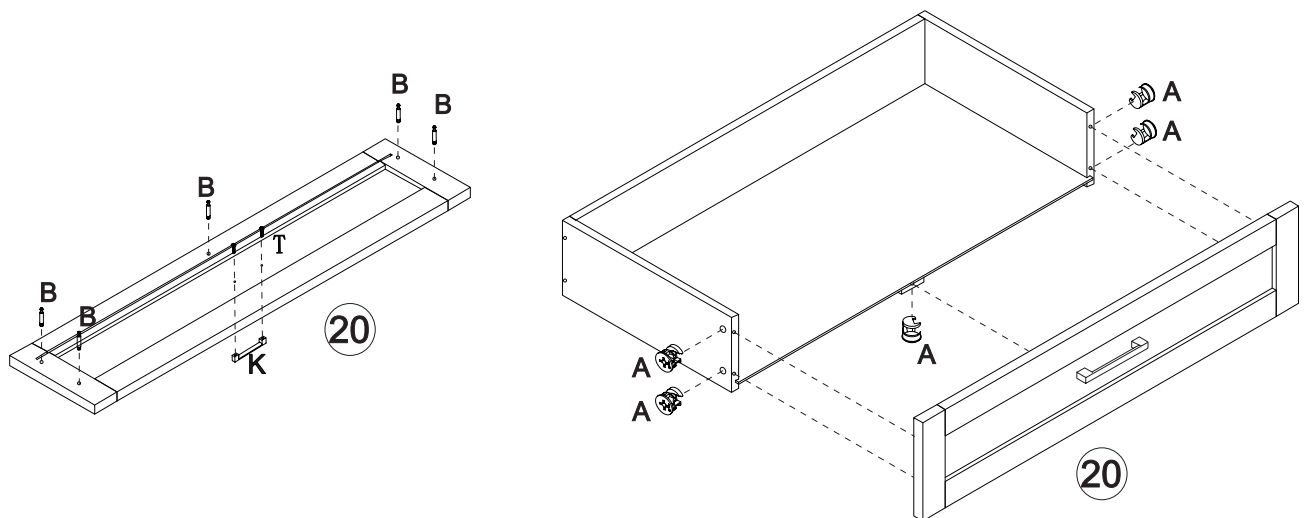
Step 29

M		5PCS
---	---	------




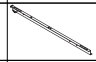

Step 30

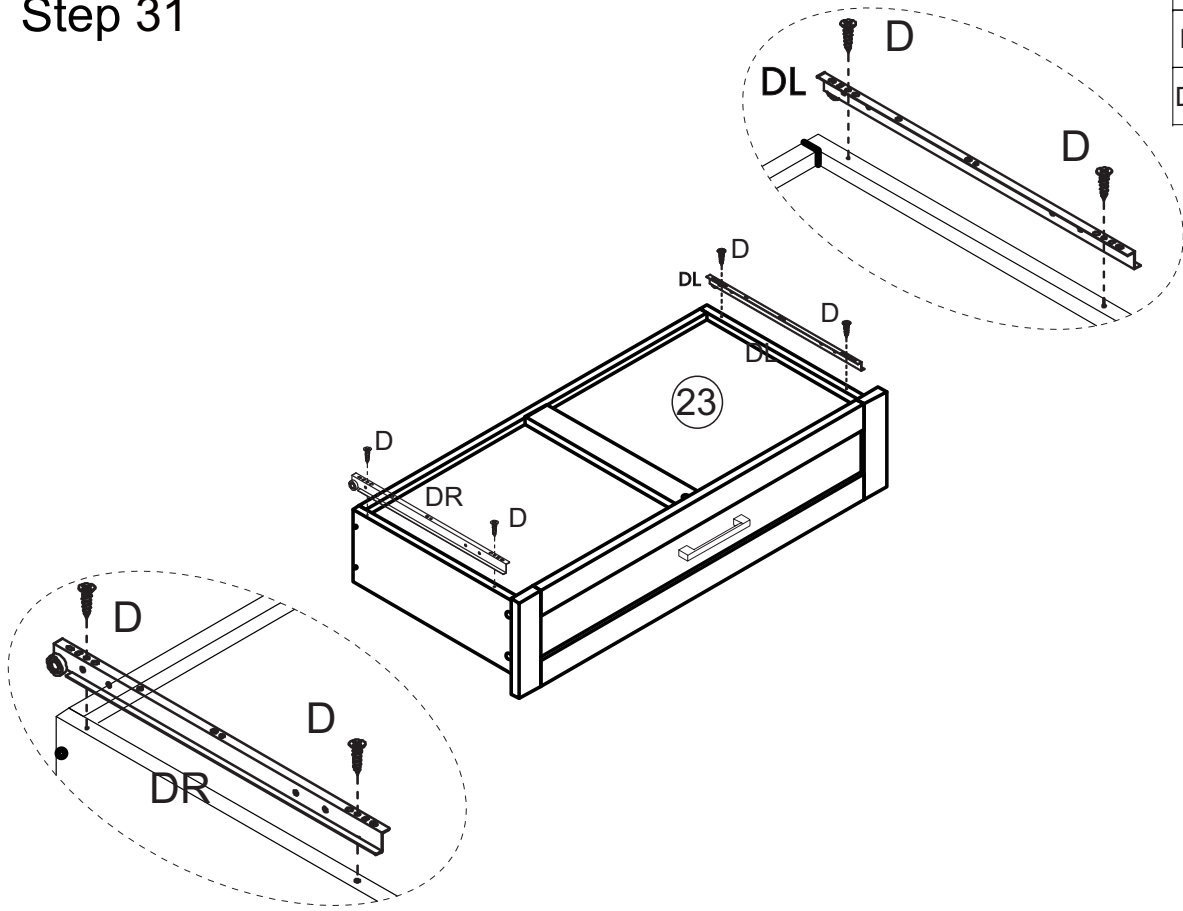
A		5PCS
B		5PCS
K		1PCS
T		2PCS



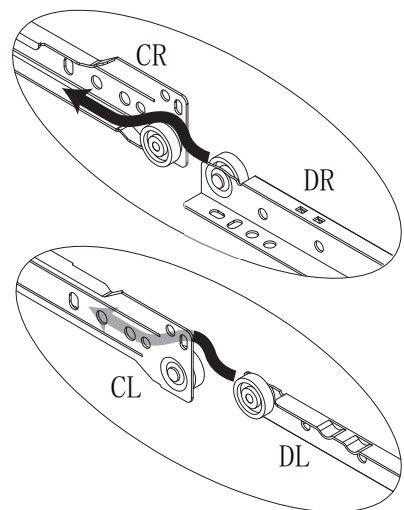
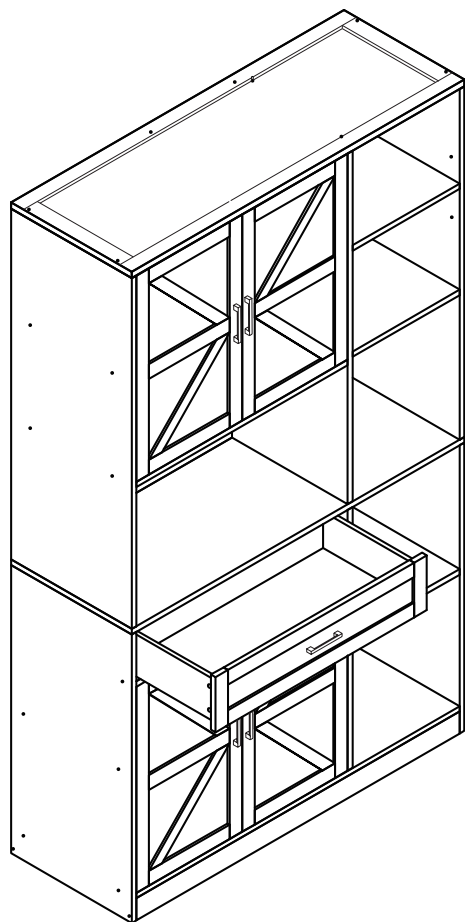
PRODUCT ASSEMBLY

Step 31

D		4PCS
DL		1PCS
DR		1PCS




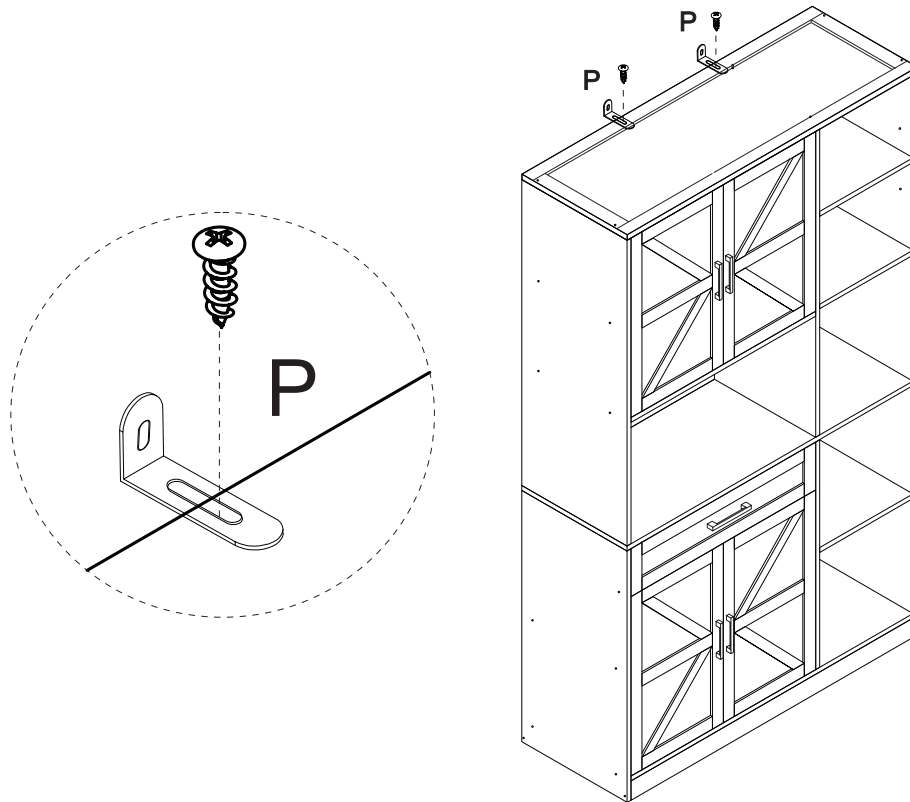
Step 32




PRODUCT ASSEMBLY

Step 33

P  2 pcs



Step 34

P  2 pcs

