

ASSEMBLY INSTRUCTIONS

BENCH

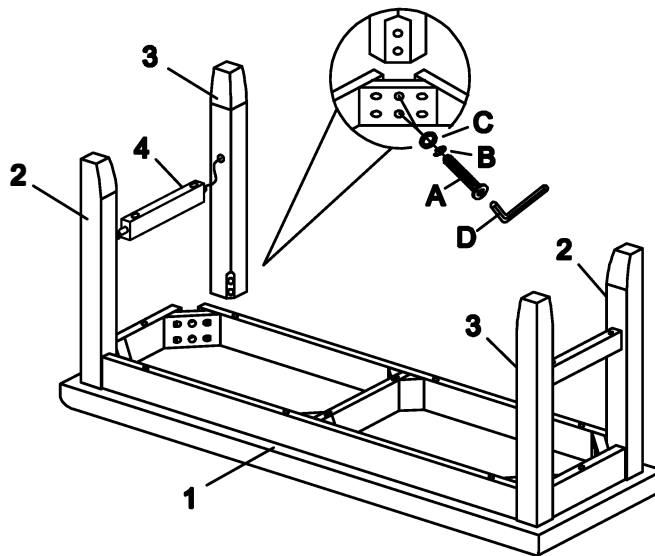
Important note :

- Place all wooden parts on a clean and smooth surface such as a rug or carpet to avoid scratching the parts.
- Kindly follow the assembly instructions step by step.
- Do not tighten all screws and bolts until the bench is fully assembled.

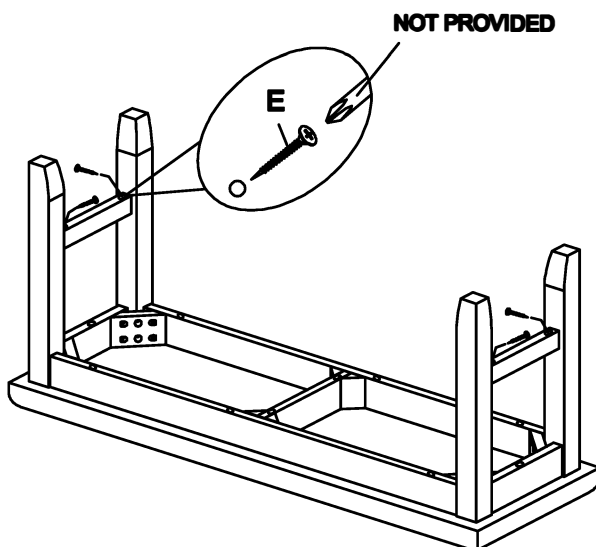
| NO | COMPONENT | QTY |
|----|--------------|-----|
| 1 | CUSHION SEAT | 1 |
| 2 | RIGHT LEG | 2 |
| 3 | LEFT LEG | 2 |
| 4 | STRETCHER | 2 |

| NO | HARDWARE | QTY |
|----|---------------|-----|
| A | BOLT | 8 |
| B | SPRING WASHER | 8 |
| C | FLAT WASHER | 8 |
| D | ALLEN KEY | 1 |
| E | SCREW | 4 |

STEP 1



STEP 2



STEP 3

