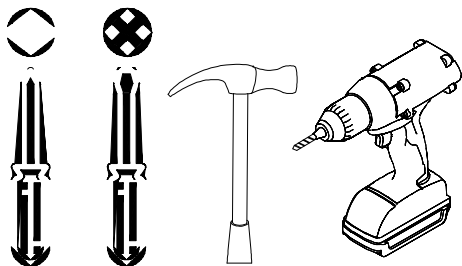
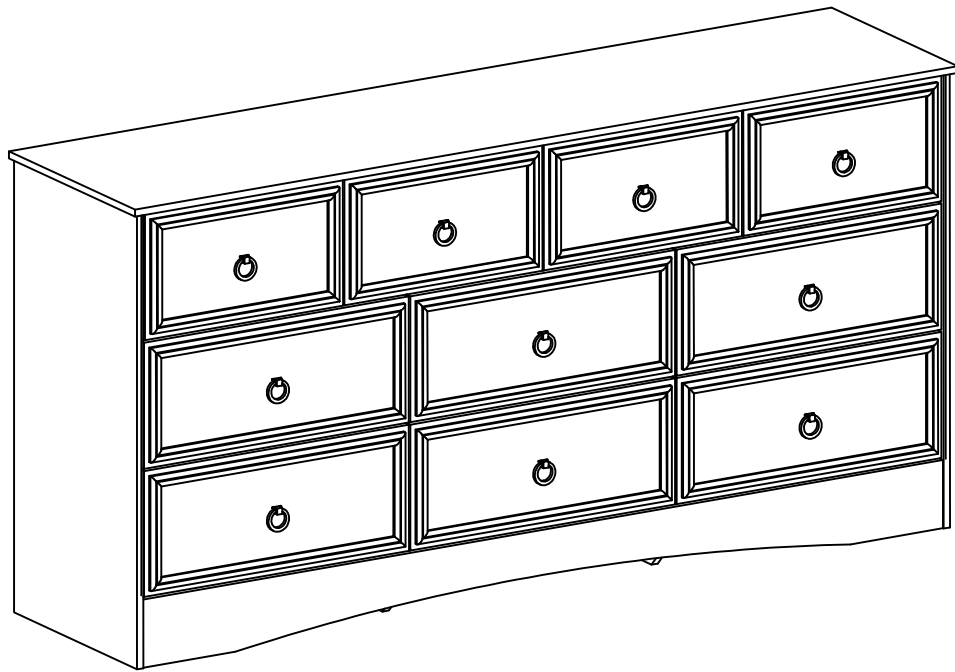
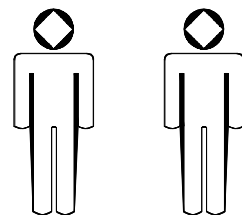


1870100613



Tools required
(not included)



2 people for assembly



Safety and Care Advice

Important – Please read these instructions fully before starting assembly

- Check you have all the components and tools listed on the following pages.
- Remove all fittings from the plastic bags and separate them into their groups.
- Keep children and animals away from the work area, small parts could choke if swallowed.
- Make sure you have enough space to layout the parts before starting.

- During assembly do not stand or put weight on the product, this could cause damage.
- Assemble the item as close to its final position (in the same room) as possible.
- Assemble on a soft level surface to avoid damaging the unit or your floor.
- Parts of the assembly will be easier with 2 people.



power drill is set on a low torque setting.

- To reduce the likelihood of damaging your product please ensure that your

Care and maintenance

- Only clean using a damp cloth and mild detergent, do not use bleach or abrasive cleaners.
- From time to time check that there are no loose screws on this unit.
- This product should not be discarded with household waste. Take to your local authority waste disposal centre.

Handy Hints

- Assemble all parts and bolts loosely during assembly, only once the product is complete should you fully tighten the bolts
- Regularly check and ensure that all bolts and fittings are tightened properly.

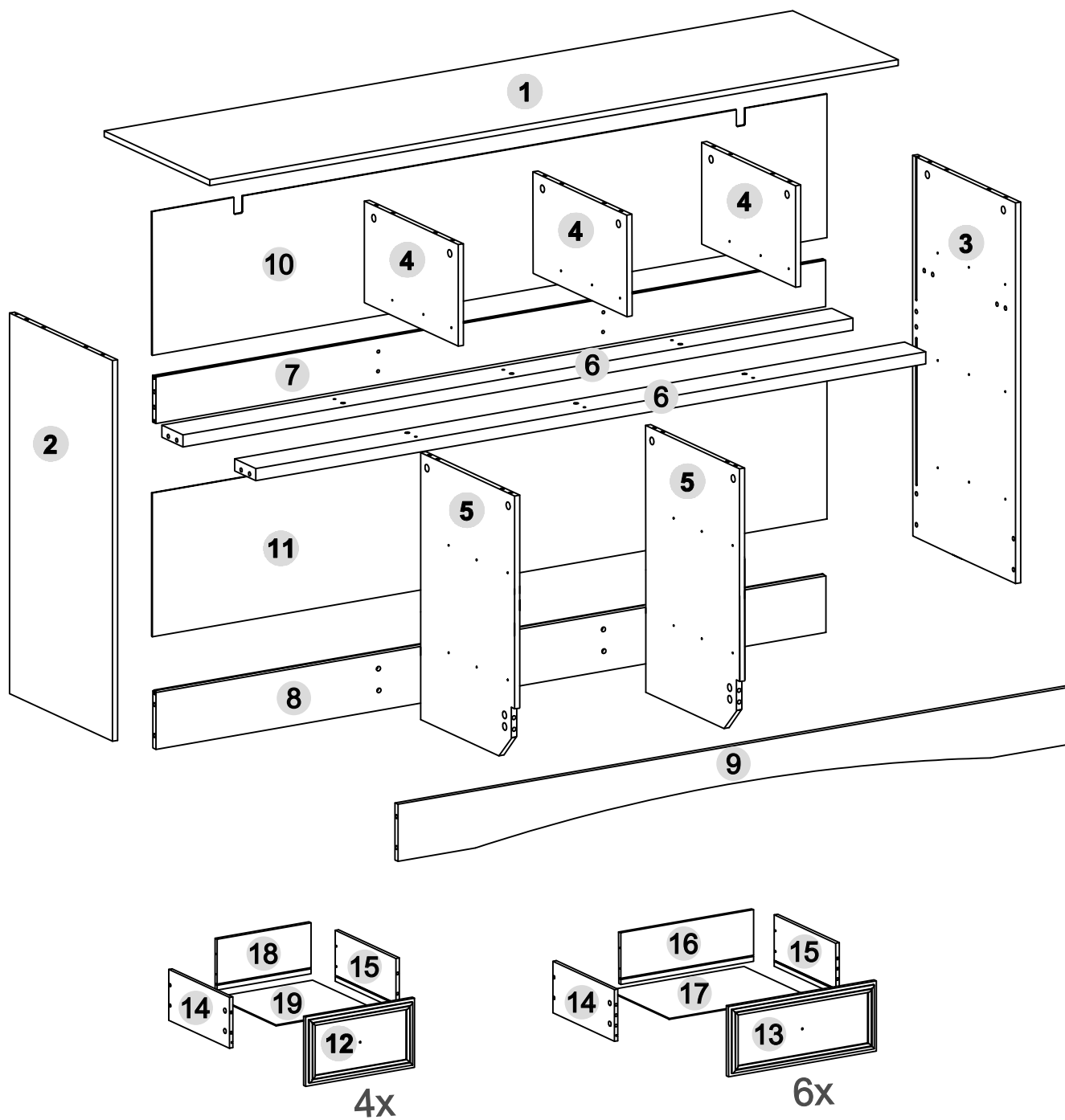


WARNING





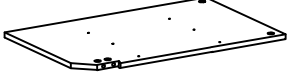






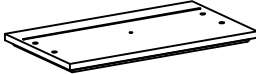
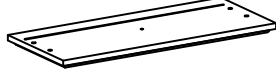
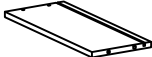




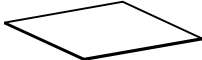


Children have died from furniture tipover.
To reduce the risk of furniture tipover:
-ALWAYS install Anti-tip device provided.
-NEVER put a TV on this product.
-NEVER allow children to stand climb or hang on any drawers, doors, or shelves.
-NEVER open more than one drawer at a time.
-Place heaviest items in the lowest drawers.
This is a permanent label.
Do not remove!

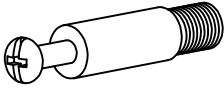

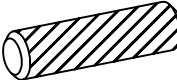
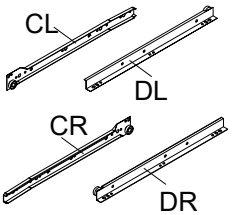
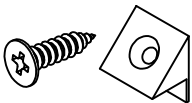

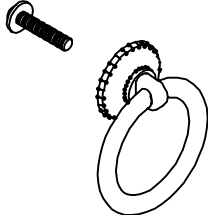
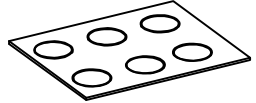


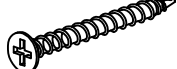
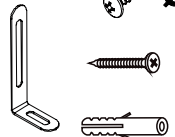
PACKAGE INCLUDE





PART IDENTIFICATION

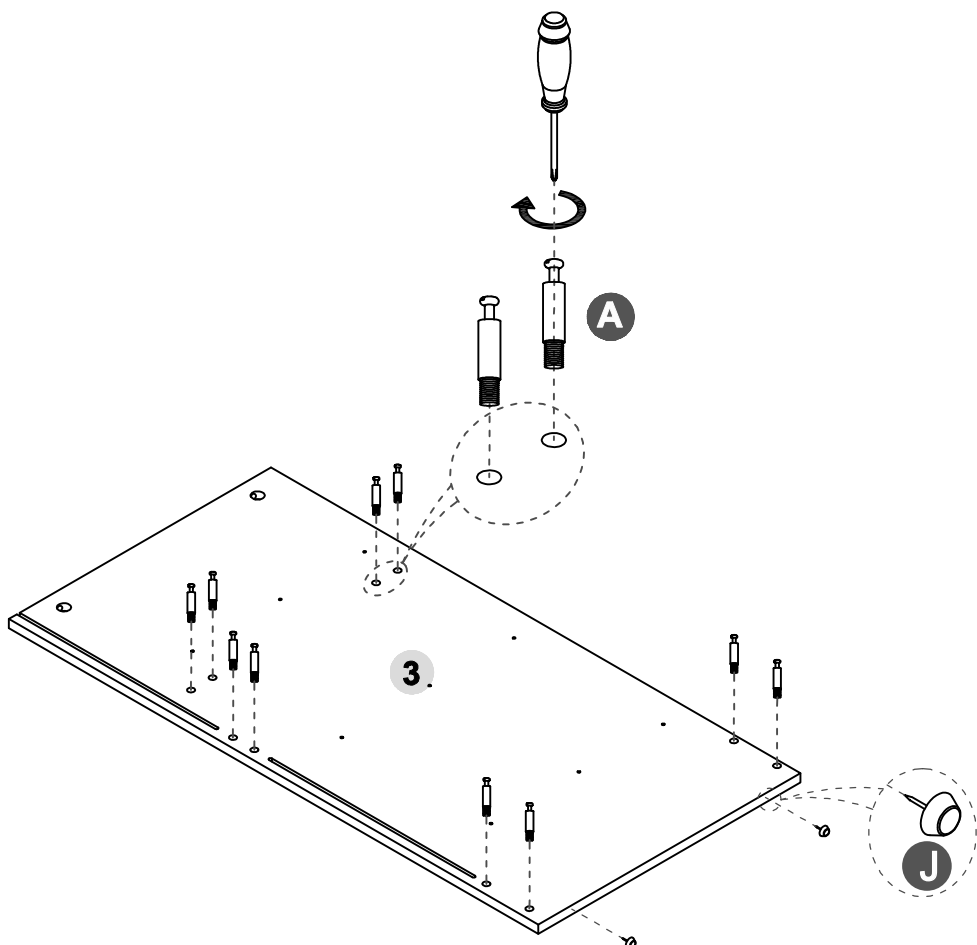
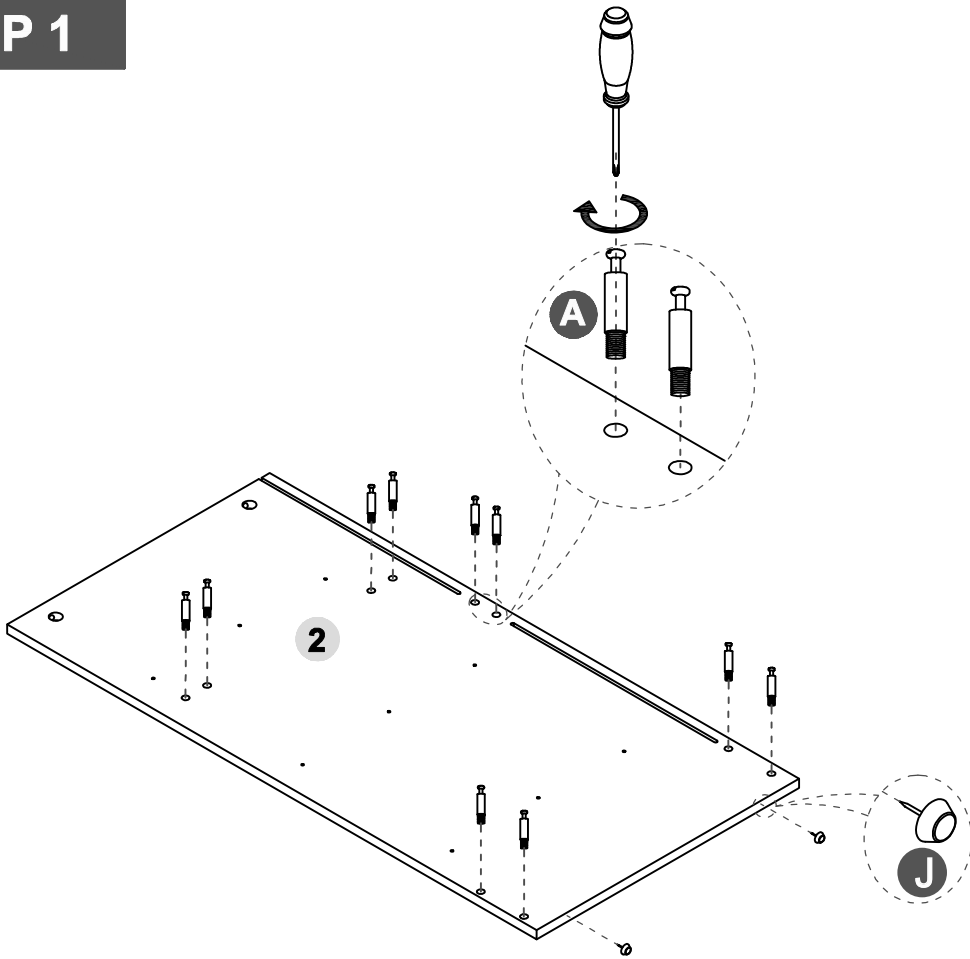
| | | | |
|---|---|--|--|
|  1 1x |  2 1x |  3 1x |  4 3x |
|  5 2x |  6 2x |  7 1x |  8 1x |
|  9 1x |  10 1x |  11 1x |  12 4x |
|  13 6x |  14 10x |  15 10x |  16 6x |
|  17 6x |  18 4x |  19 4x | |
| | | | |
| | | | |

PACKAGE CONTENT


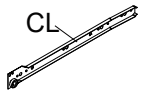
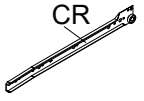
| | | | |
|---|---|--|---|
|  <p>A 78x+5</p> | <p>Ø15x9MM</p>  <p>B 78x+5</p> | <p>Ø6x30MM</p>  <p>C 14x+1</p> |  <p>D 10x</p> |
|  <p>E 12x</p> | <p>Ø3x12MM</p>  <p>F 40x+4</p> |  <p>G 10x</p> |  <p>H 40x+4</p> |
| <p>Ø3x10MM</p>  <p>I 60x+5</p> | <p>Ø12</p>  <p>J 8x+2</p> | <p>Ø3.5x35MM</p>  <p>K 60x+5</p> |  <p>L 2x</p> |
| | | | |
| | | | |

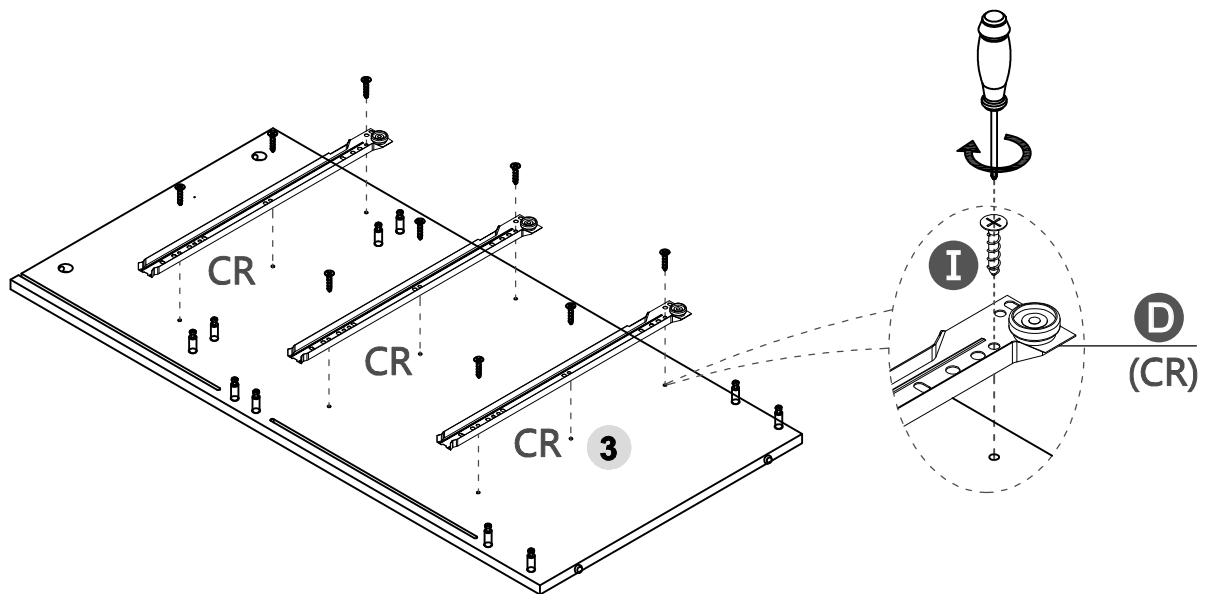
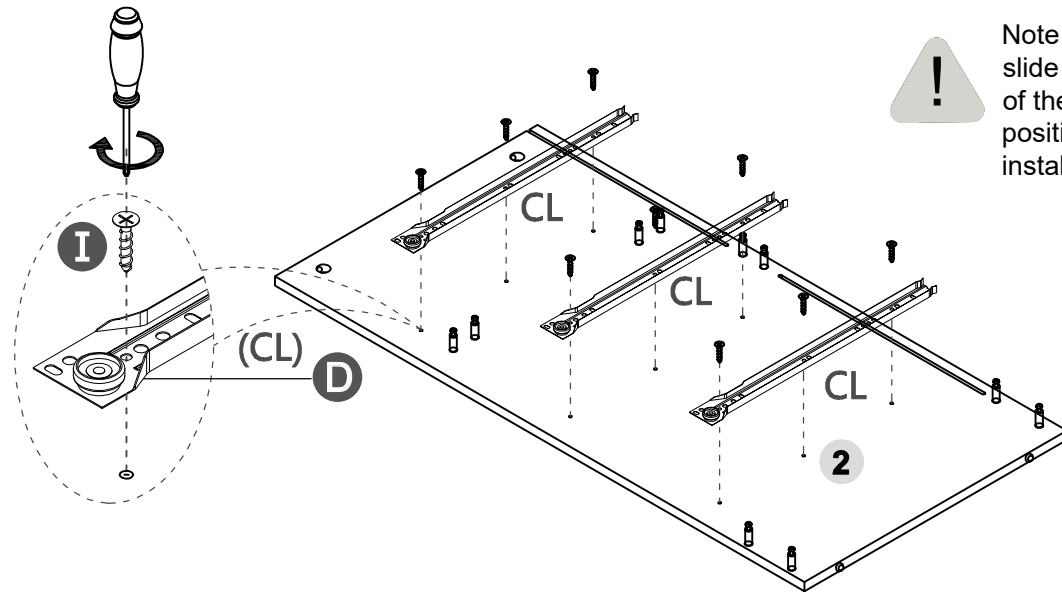
STEP 1

| | |
|---|---|
|  |  |
| A 20X | J 4X |


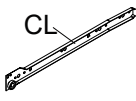
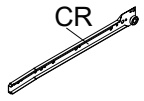


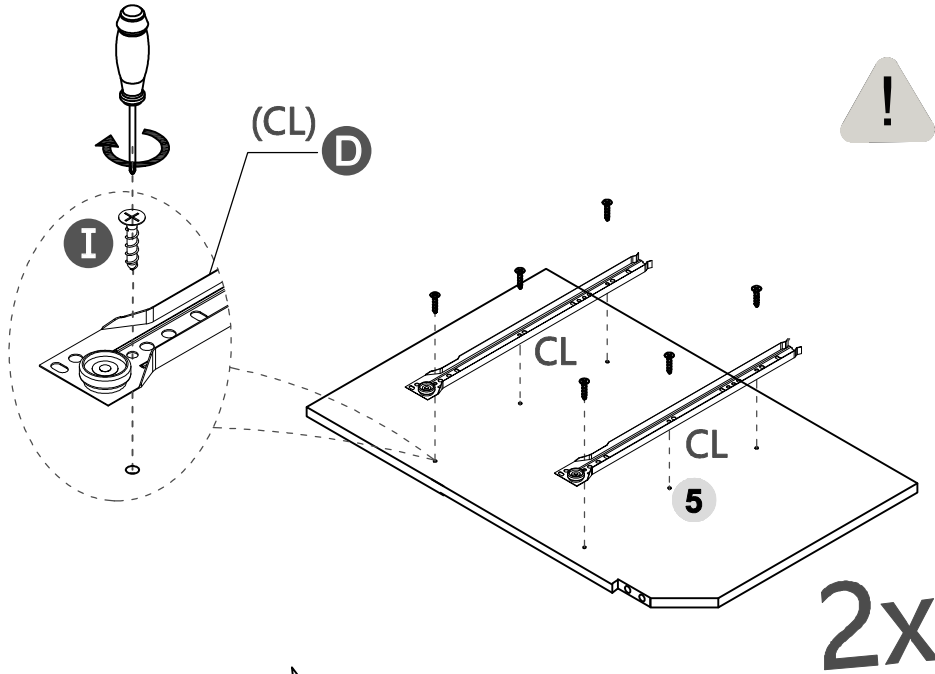
STEP 2

| | | |
|--|---|---|
|  |  |  |
| I 18X | D 3X | D 3X |

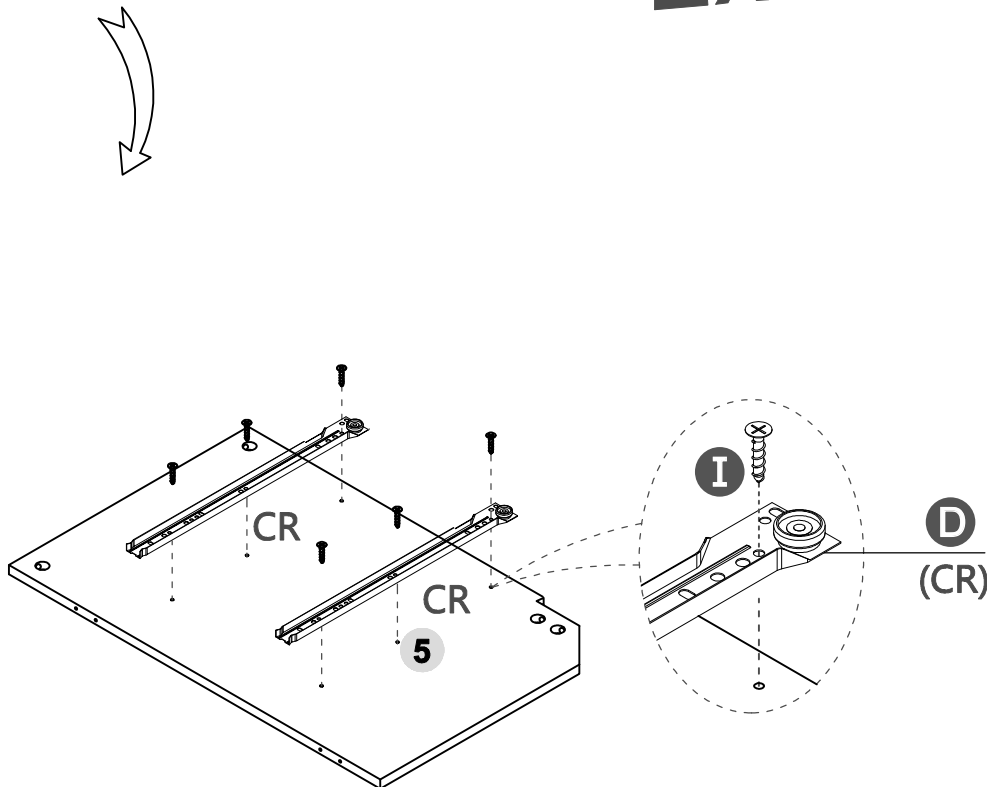


STEP 3


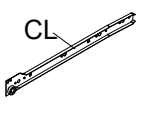
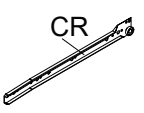
| | | |
|--|---|---|
|  |  |  |
| I 24X | D 4X | D 4X |

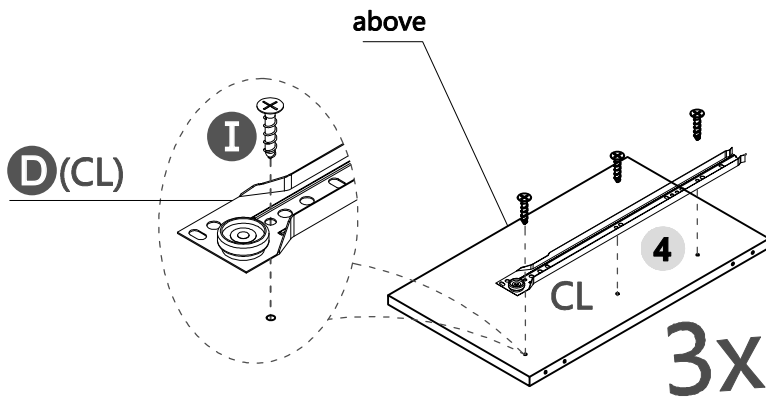


Note that the first hole of the slide rail and the leading hole of the board shall be positioned during the installation of the slide rail!



STEP 4

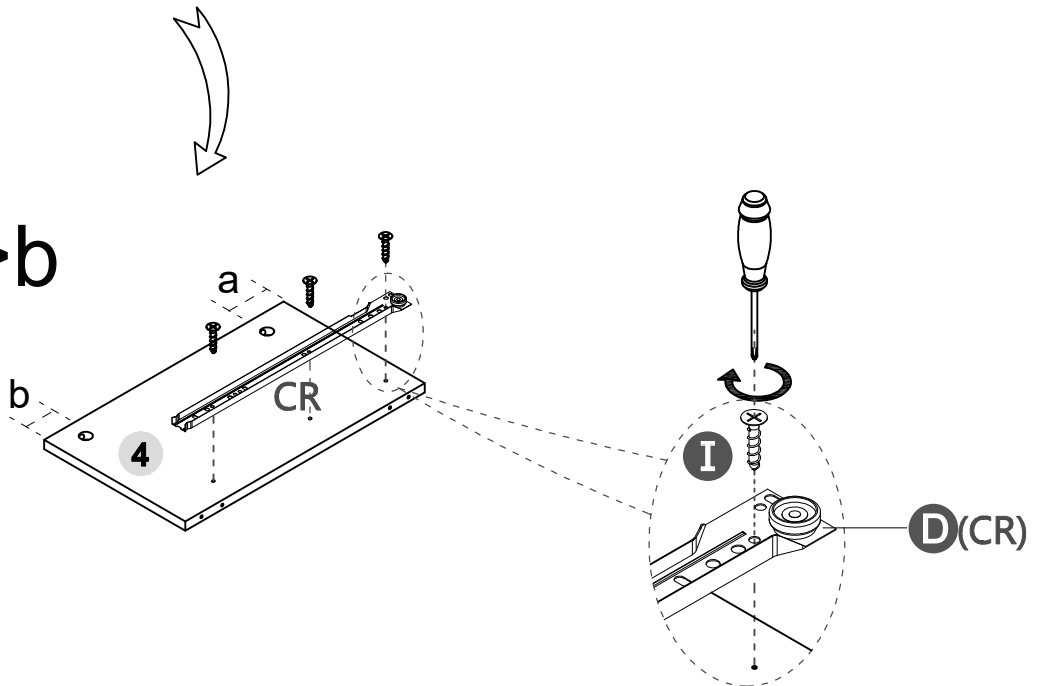
| | | |
|--|---|---|
|  |  |  |
| I 18X | D 3X | D 3X |



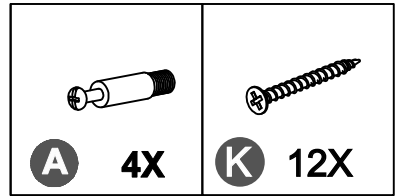
Note that the first hole of the slide rail and the leading hole of the board shall be positioned during the installation of the slide rail!



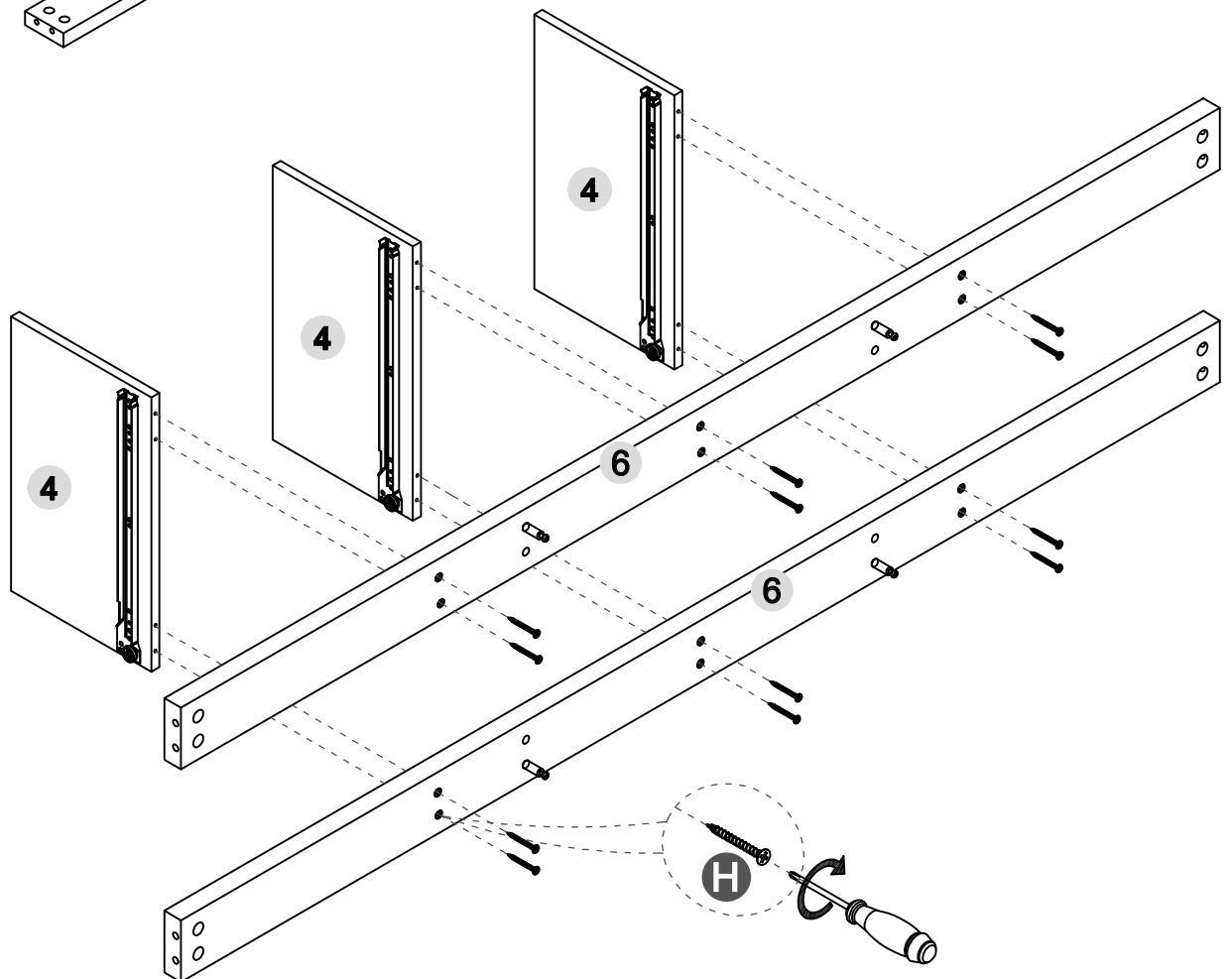
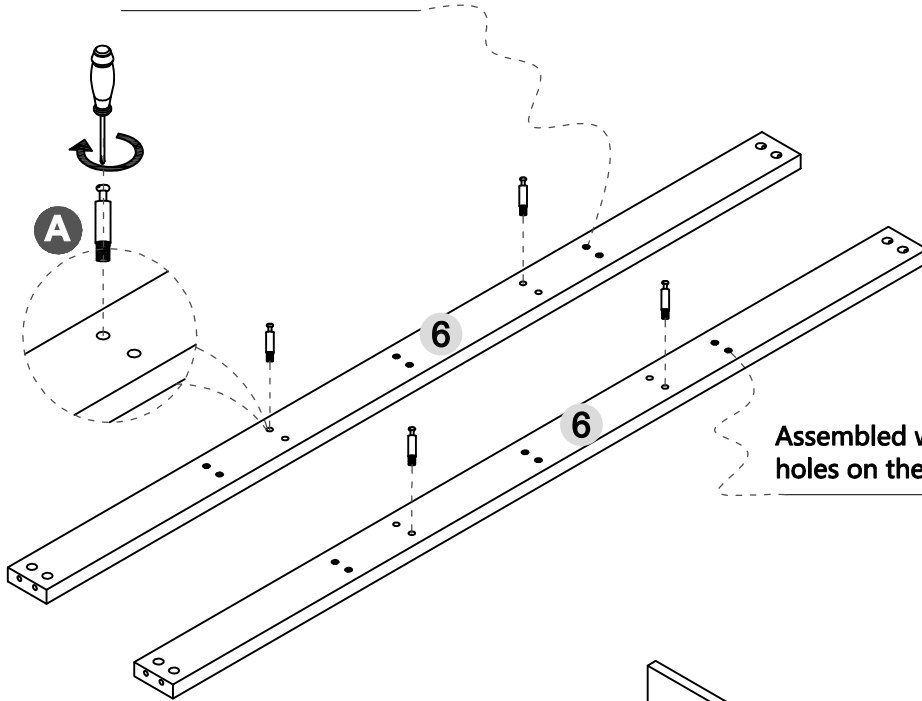
$a > b$




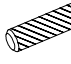
STEP 5

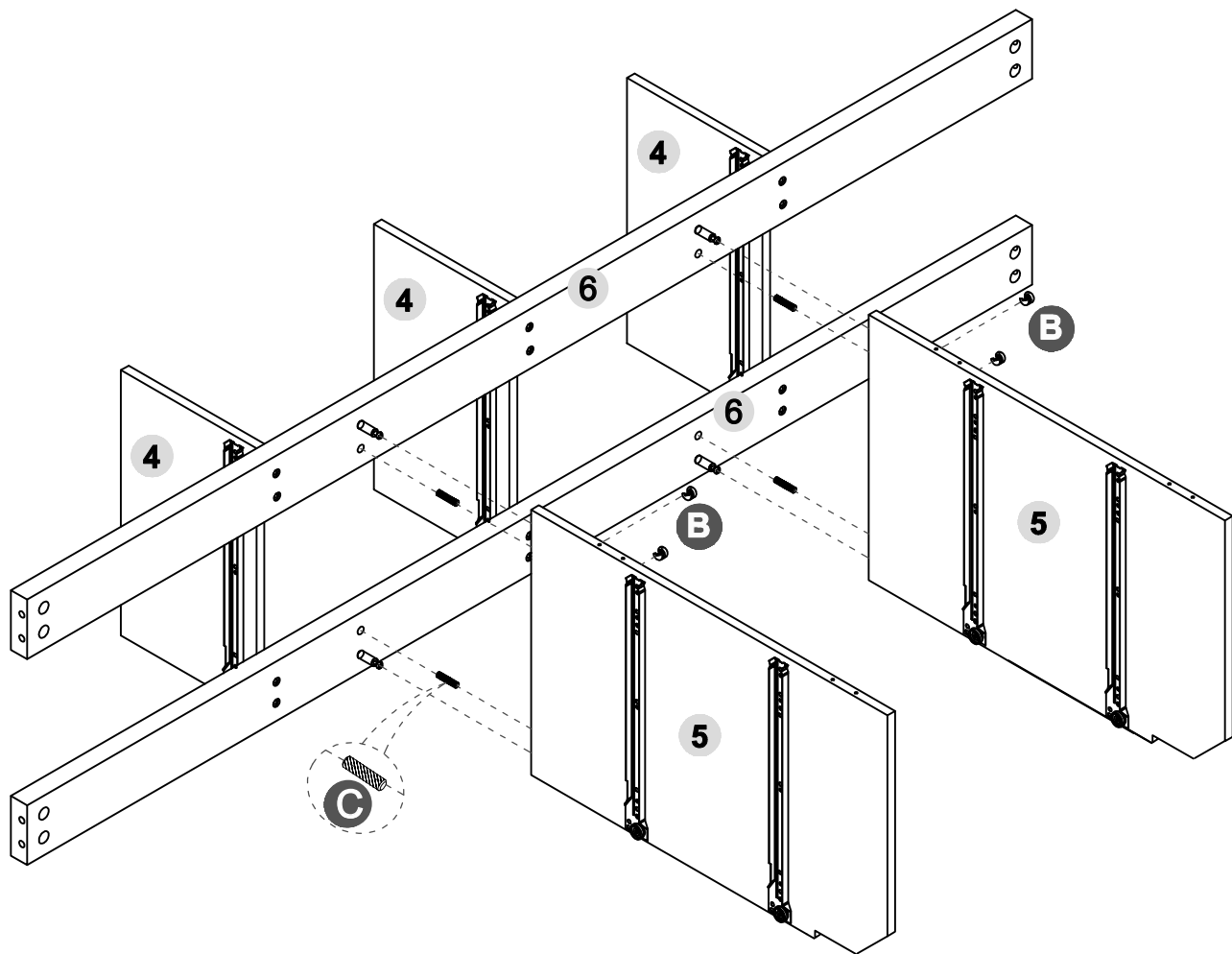


Assembled with through holes on the outside





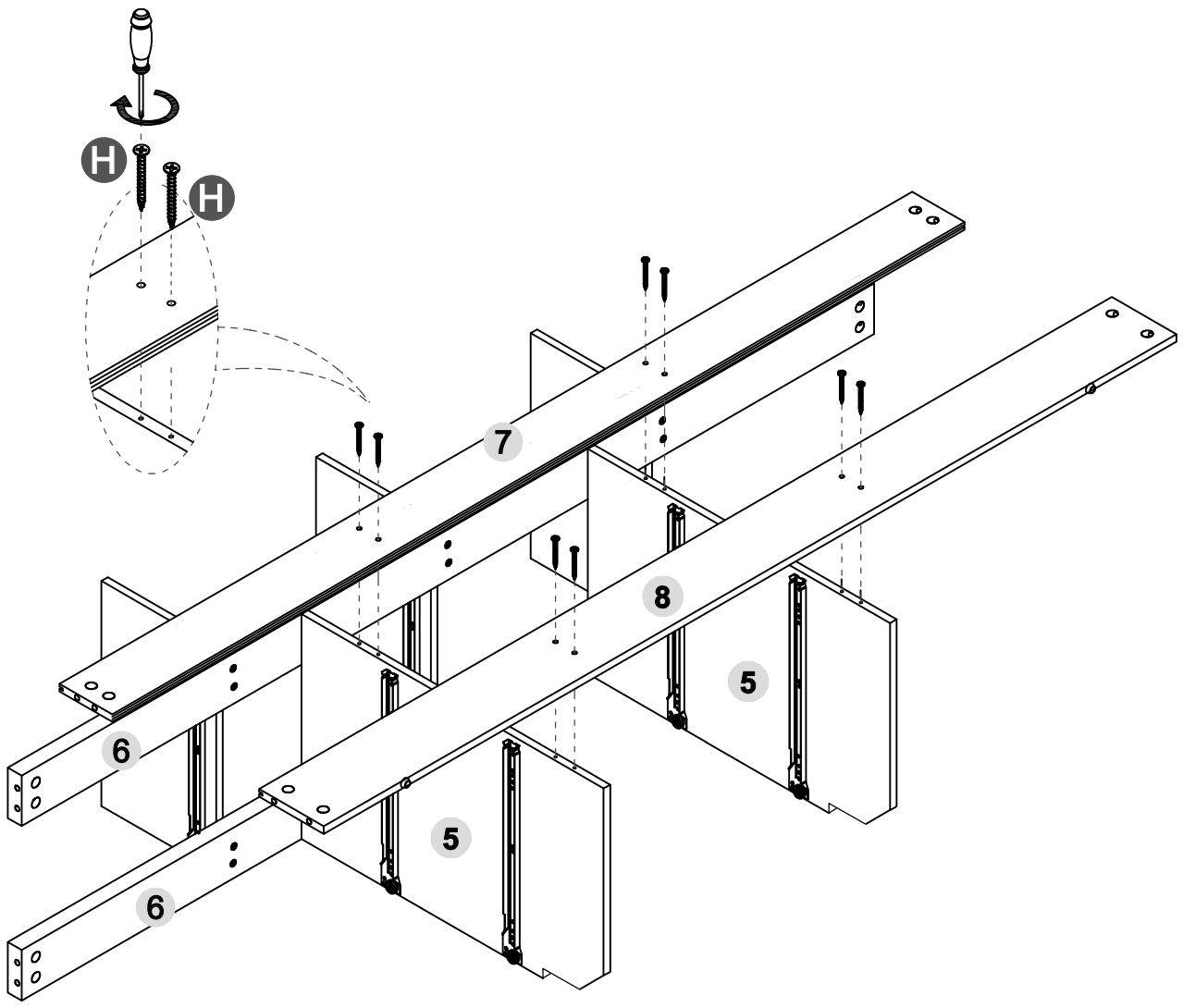
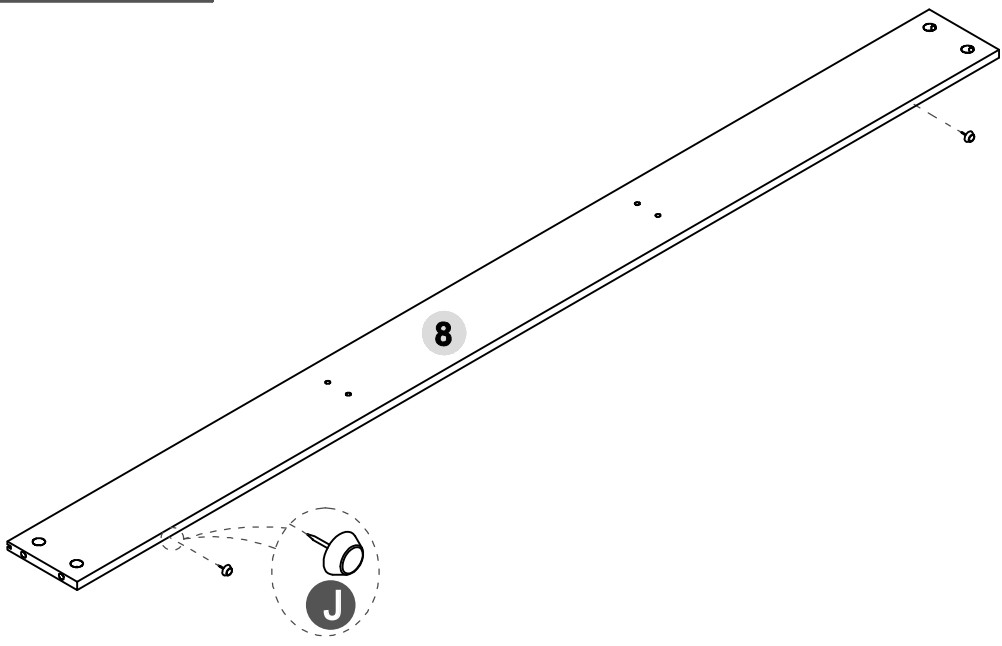
STEP 6

| | |
|--|--|
|  B 4X |  C 4X |
|--|--|


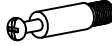



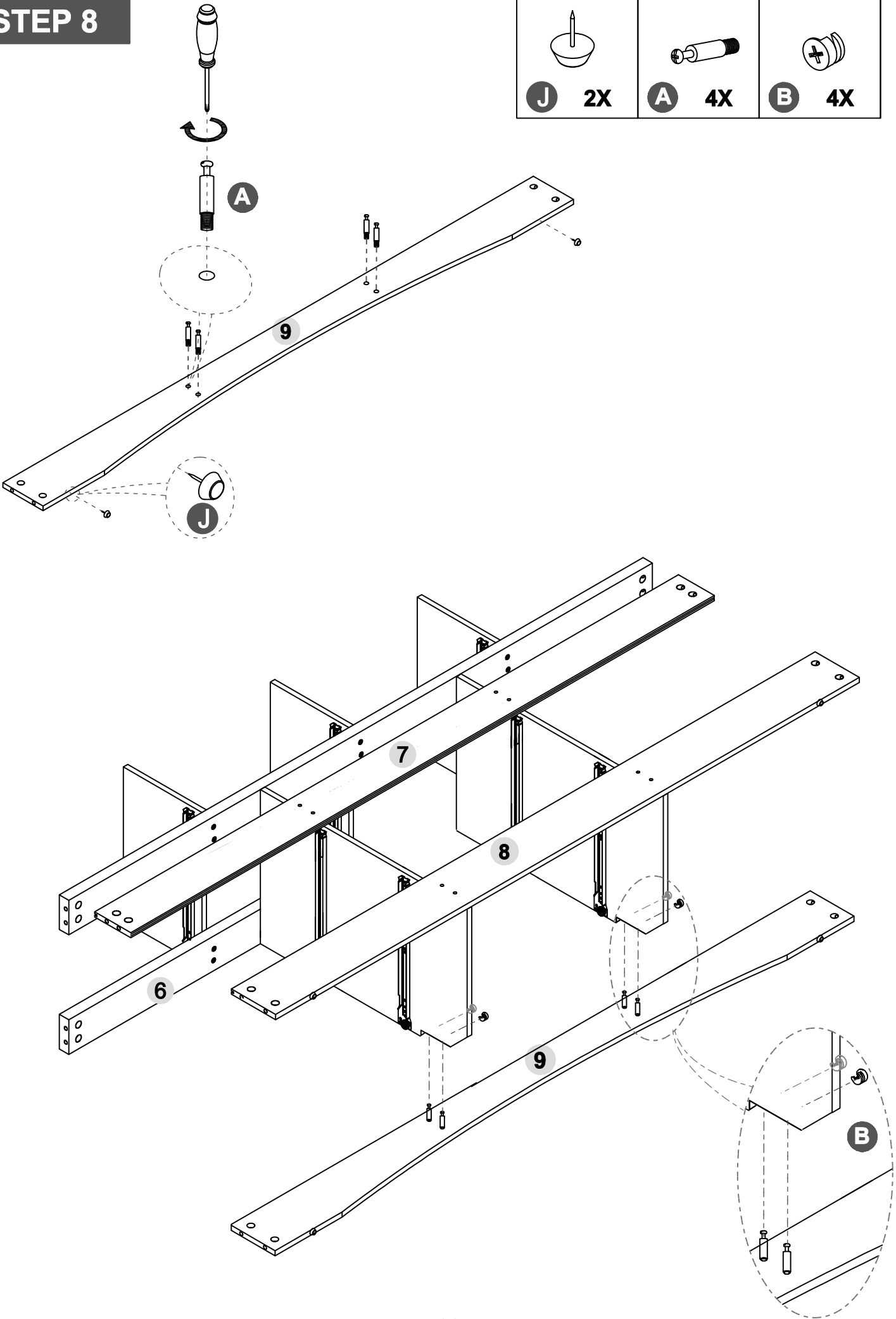
STEP 7

| | |
|--|--|
|  J 2X |  H 8X |
|--|--|

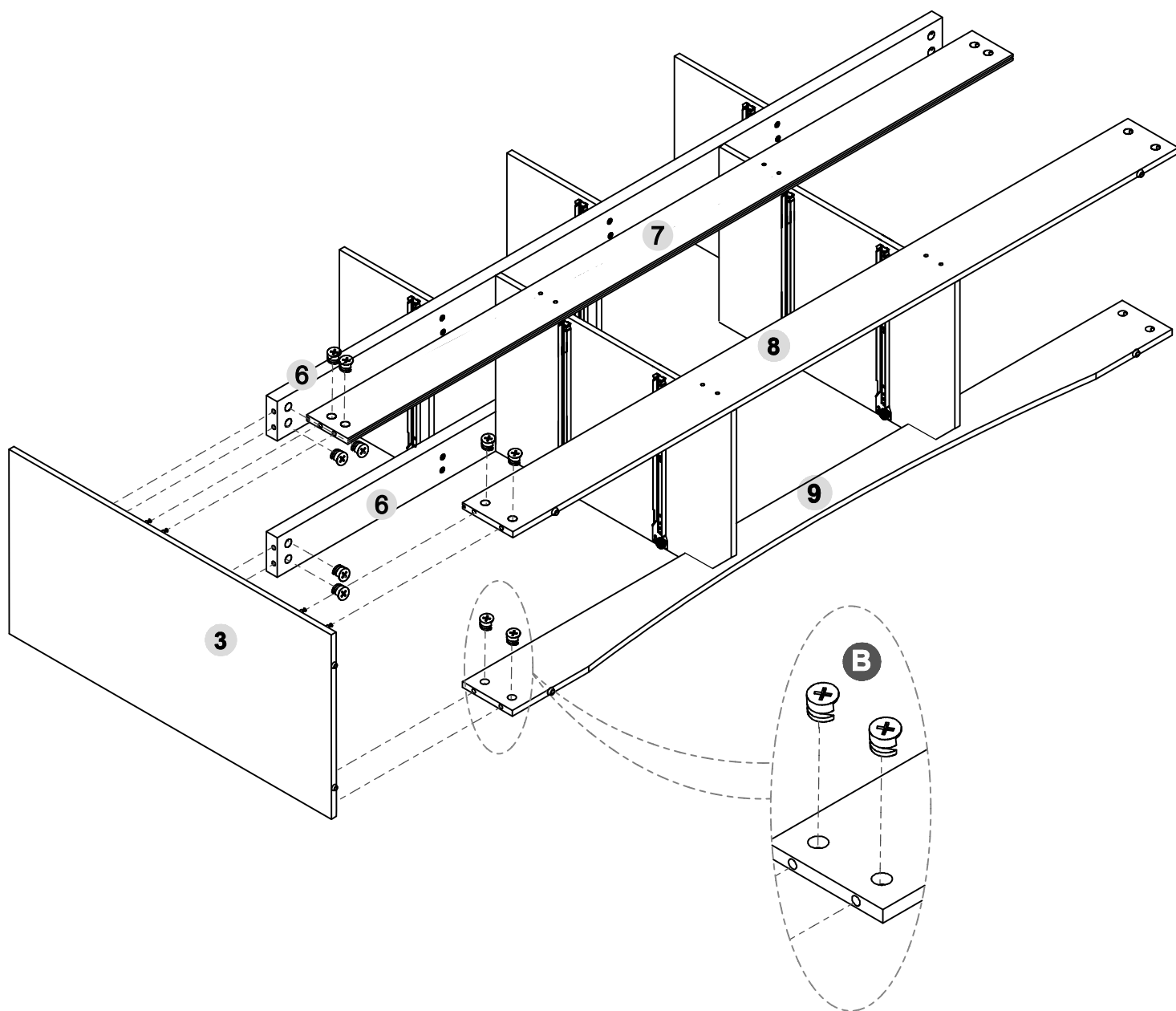
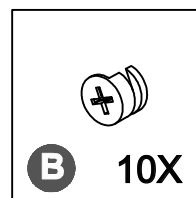


STEP 8

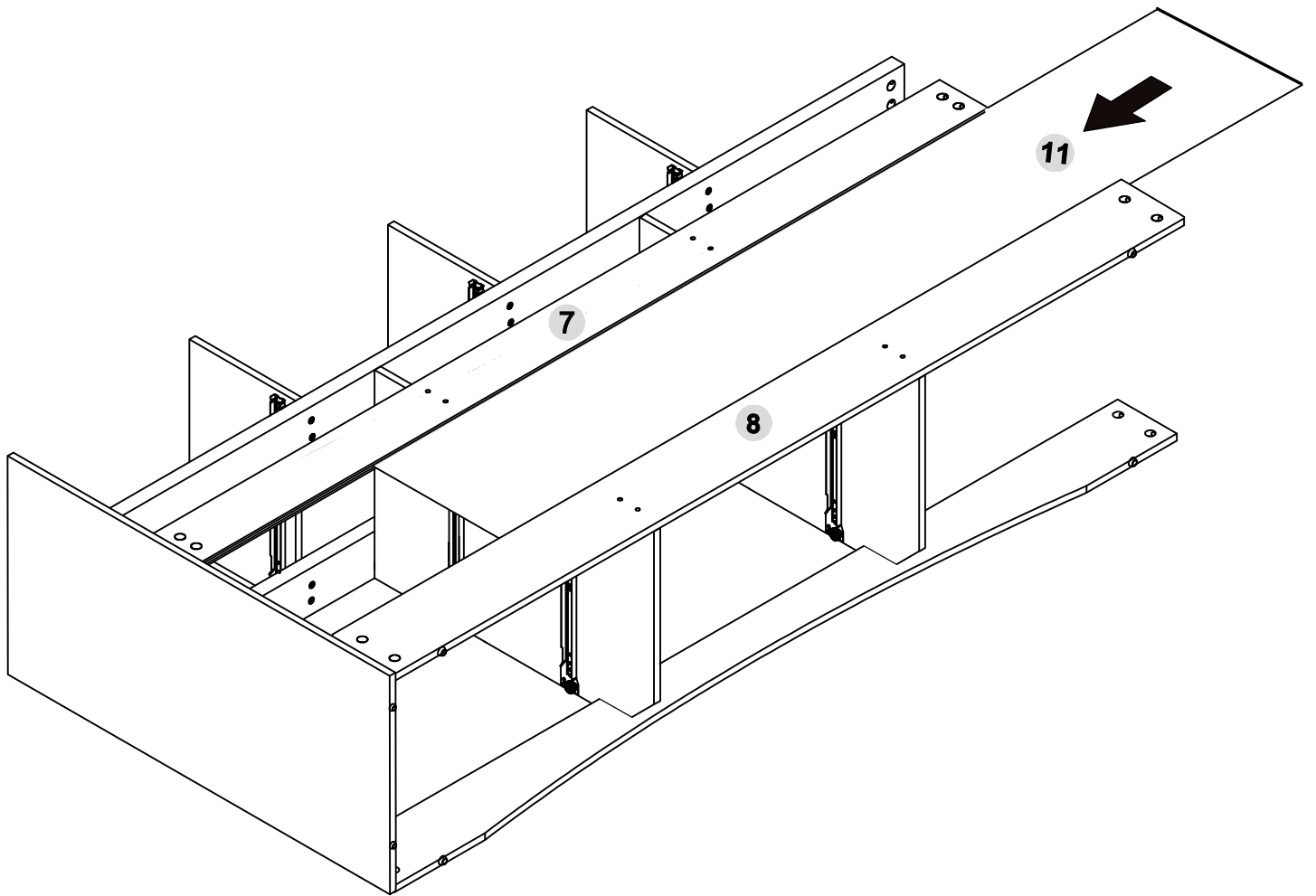
| | | |
|--|---|---|
|  |  |  |
| J 2X | A 4X | B 4X |




STEP 9

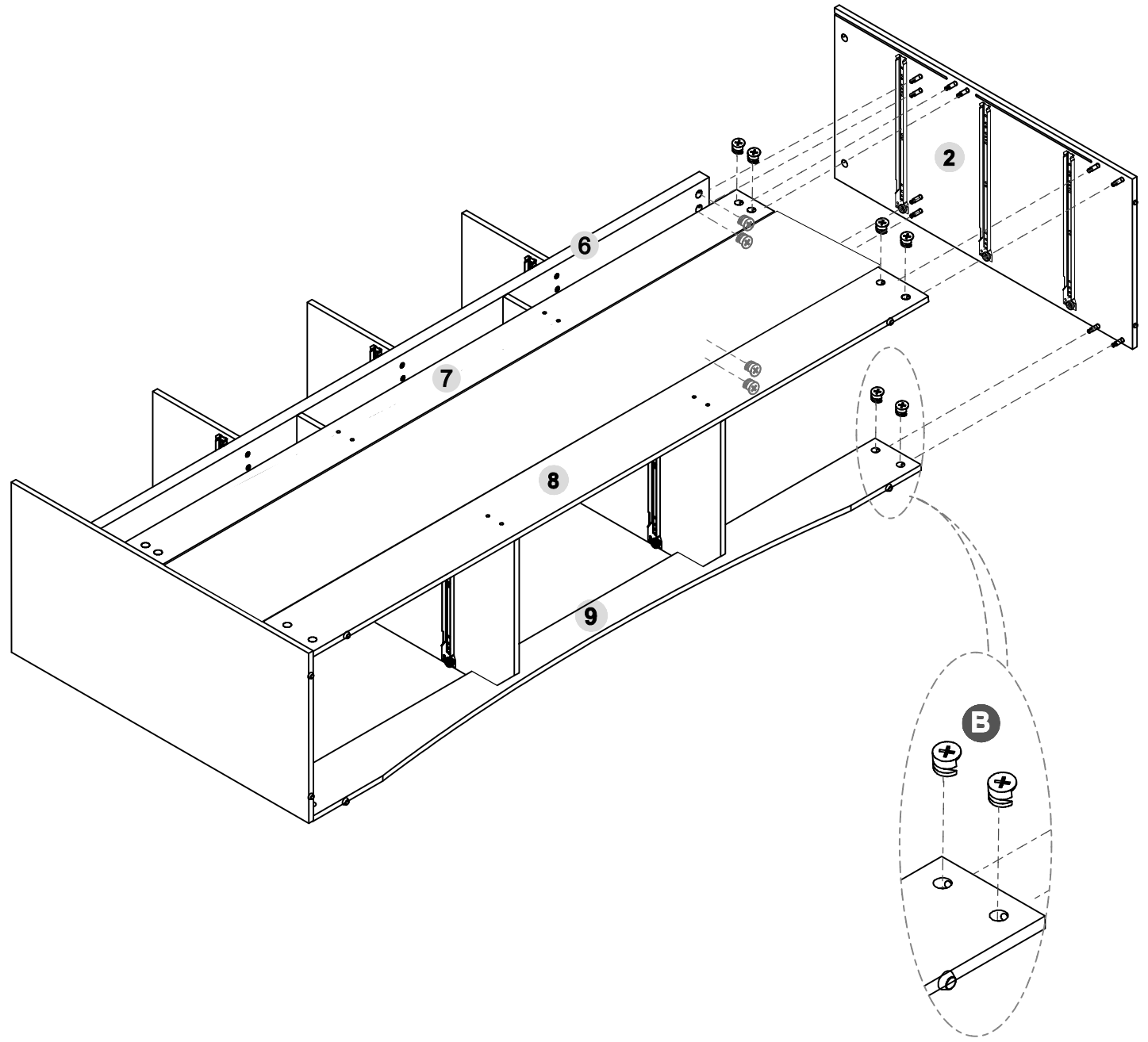


STEP 10

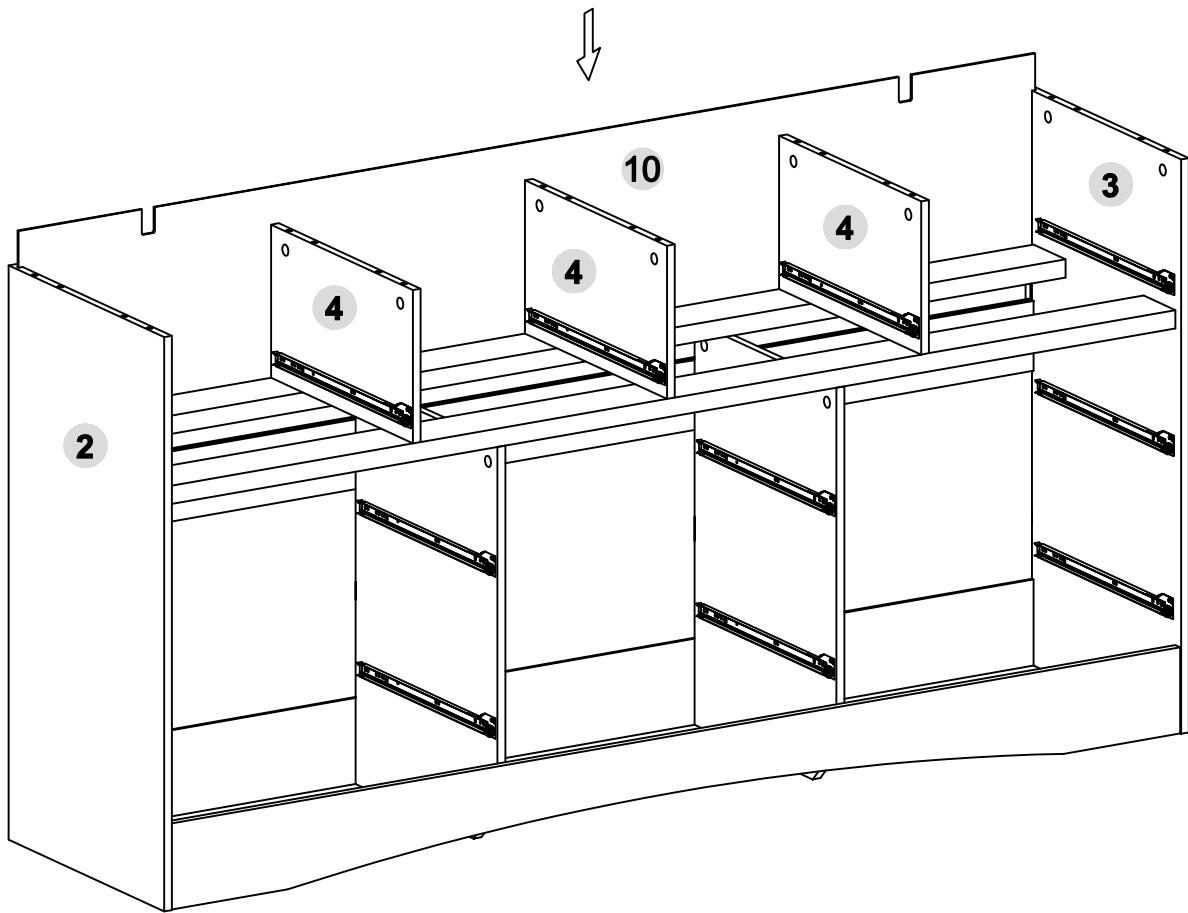


STEP 11

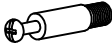

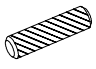
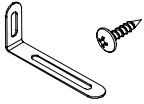

B 10X

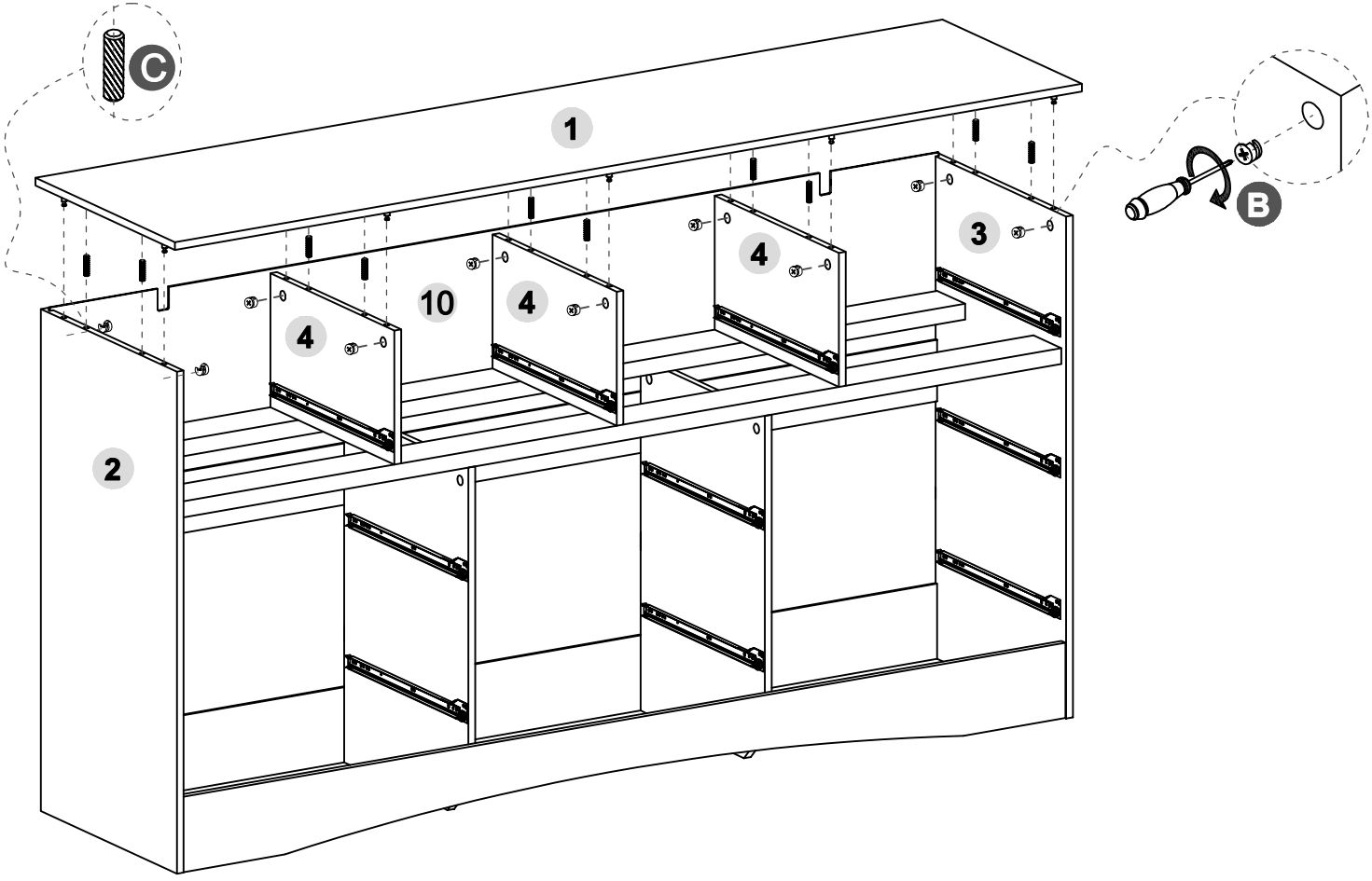
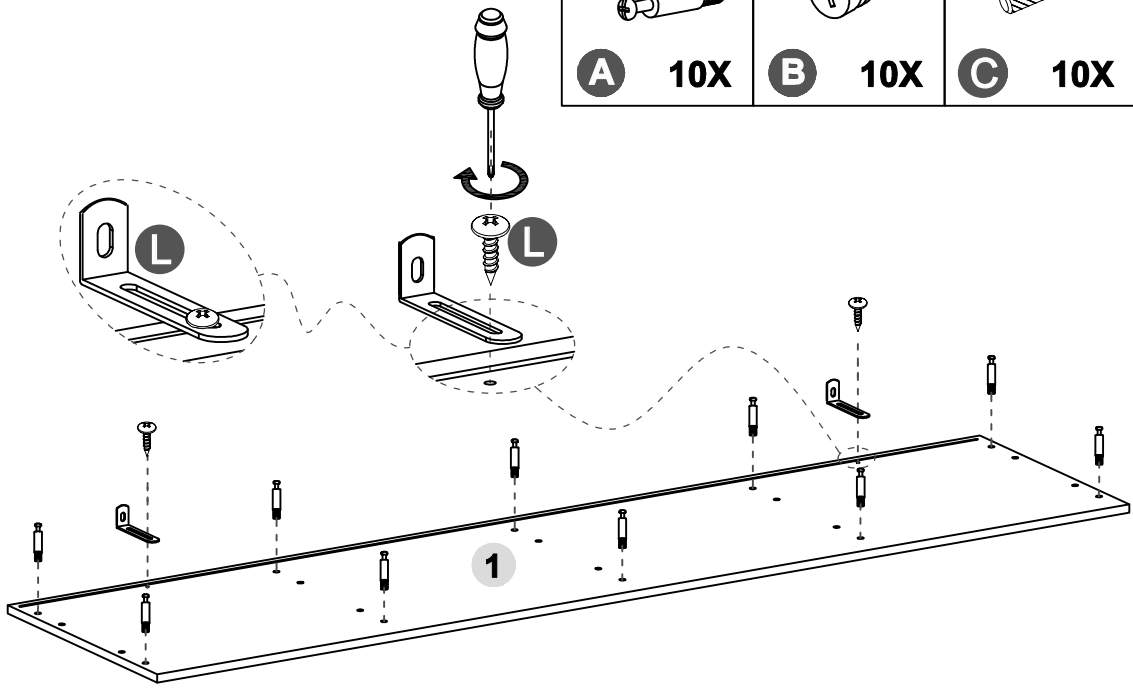


STEP 12

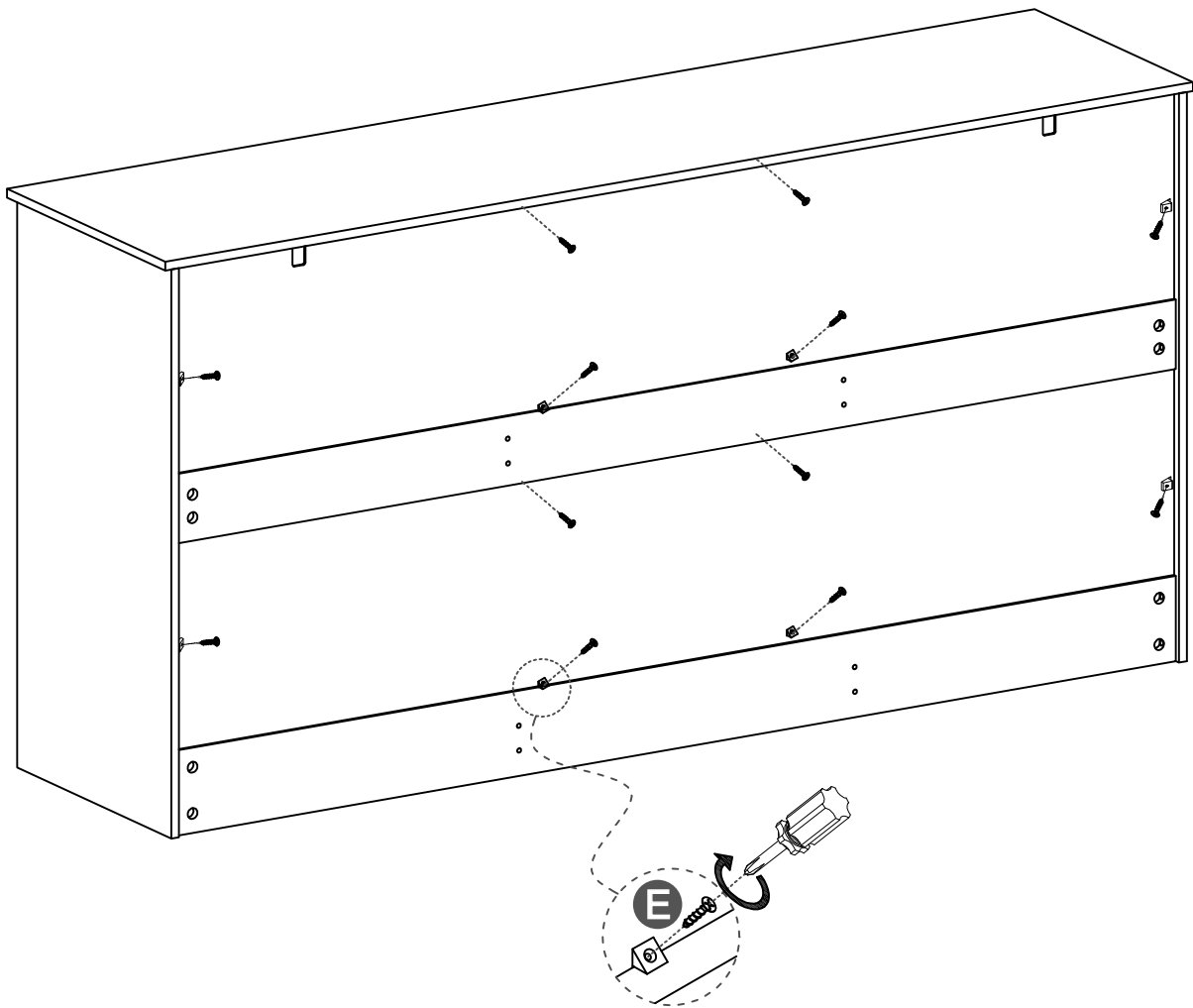
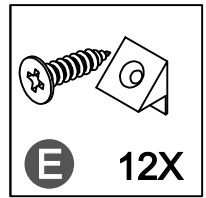


STEP 13

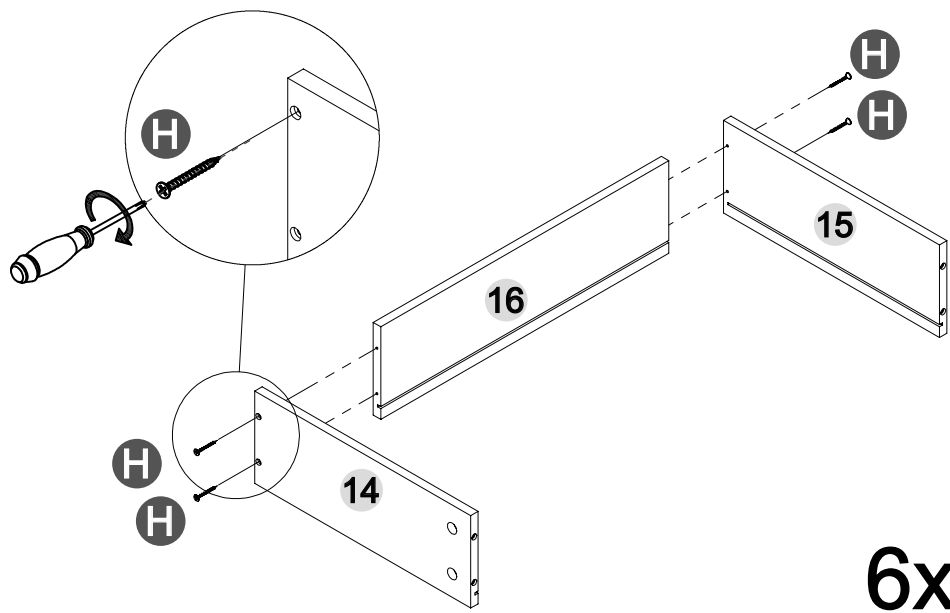
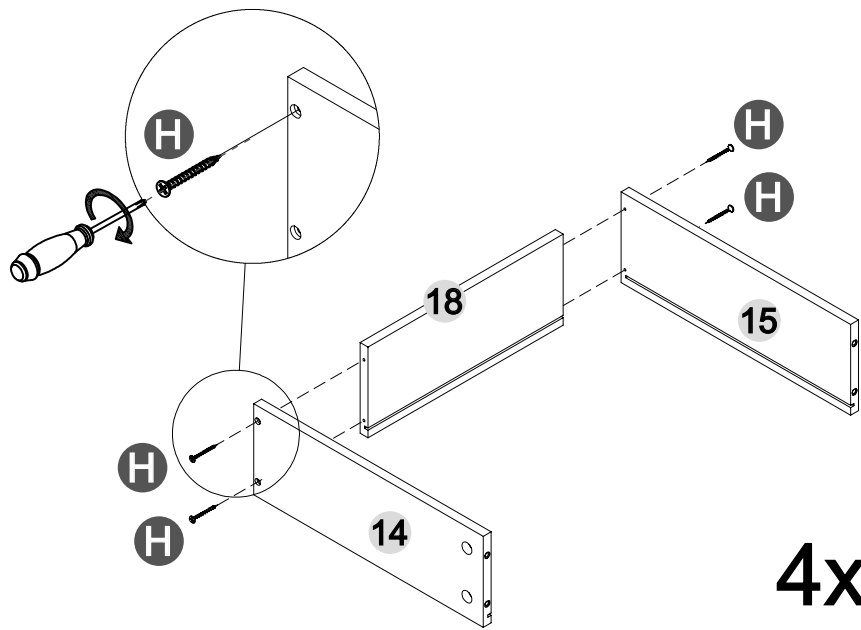
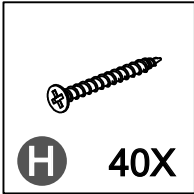
| | | | |
|---|---|---|---|
|  |  |  |  |
| A 10X | B 10X | C 10X | L 2X |



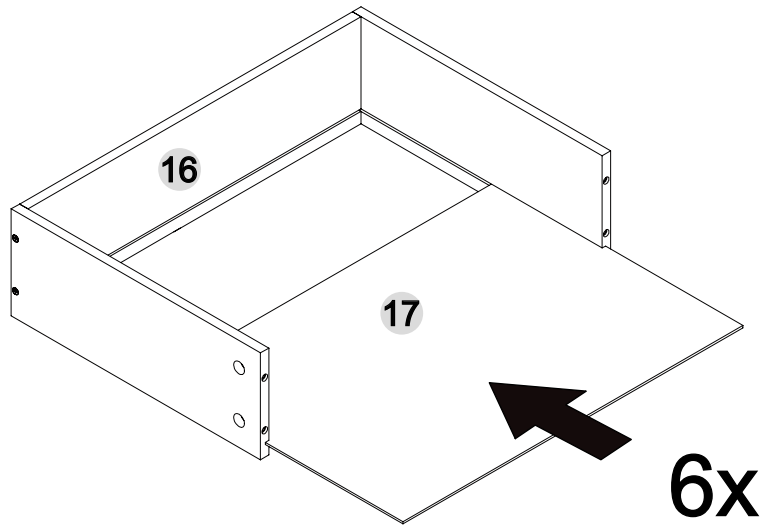
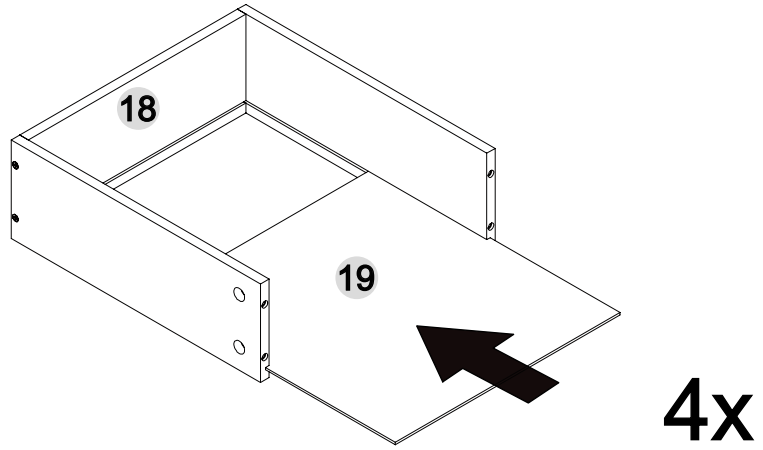
STEP 14






STEP 15

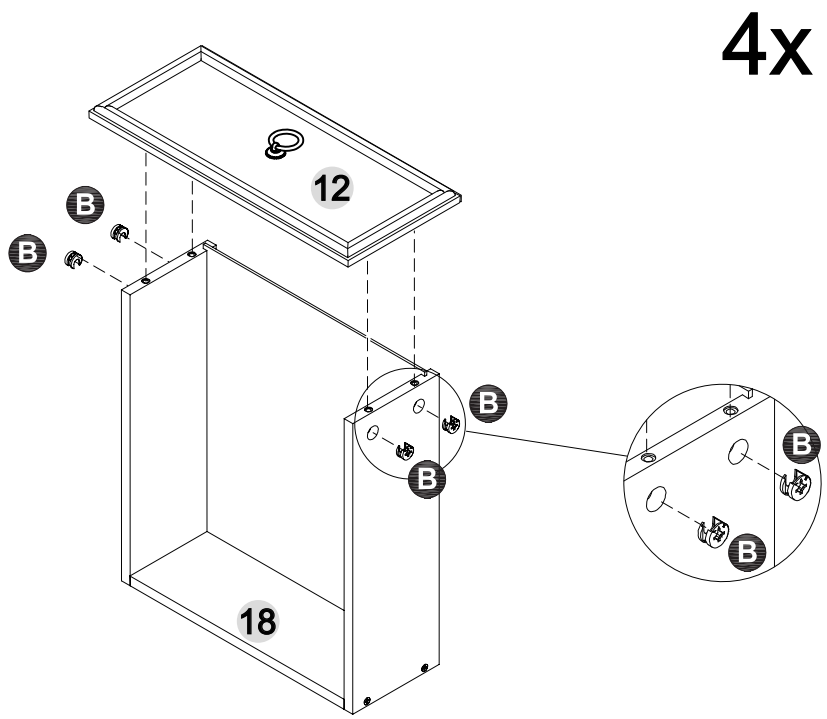
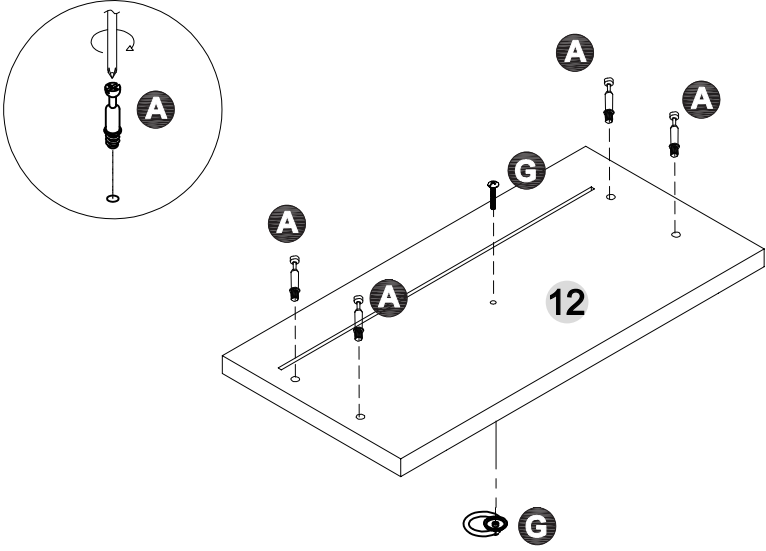


STEP 16






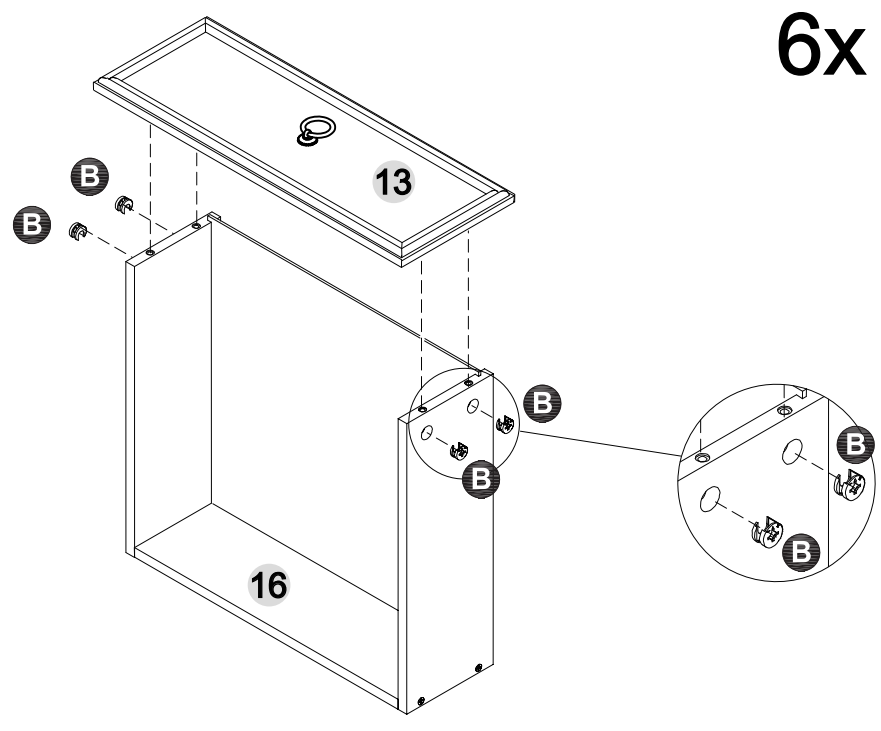
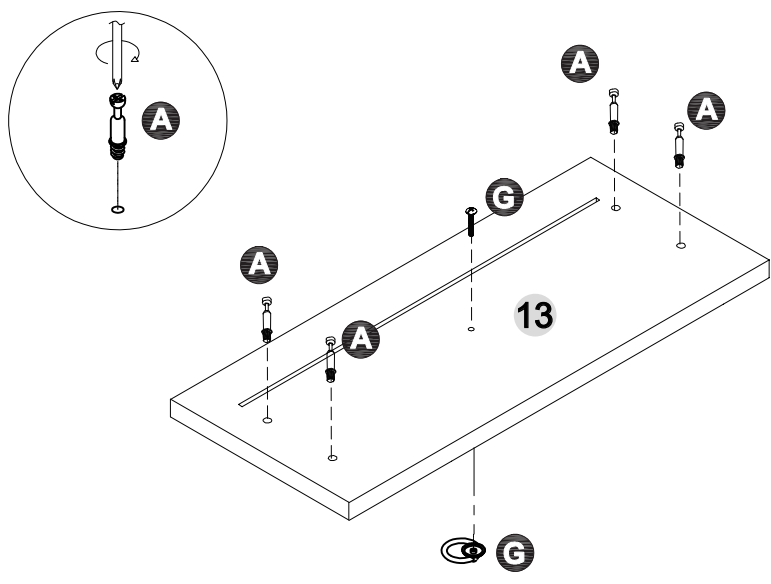
STEP 17

| | | |
|--|---|---|
|  |  |  |
| A 16X | B 16X | G 4X |

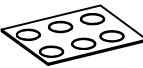

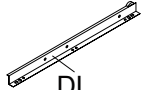
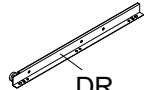


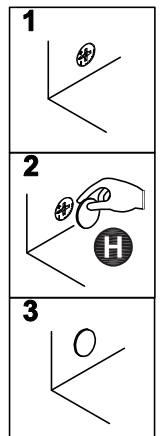
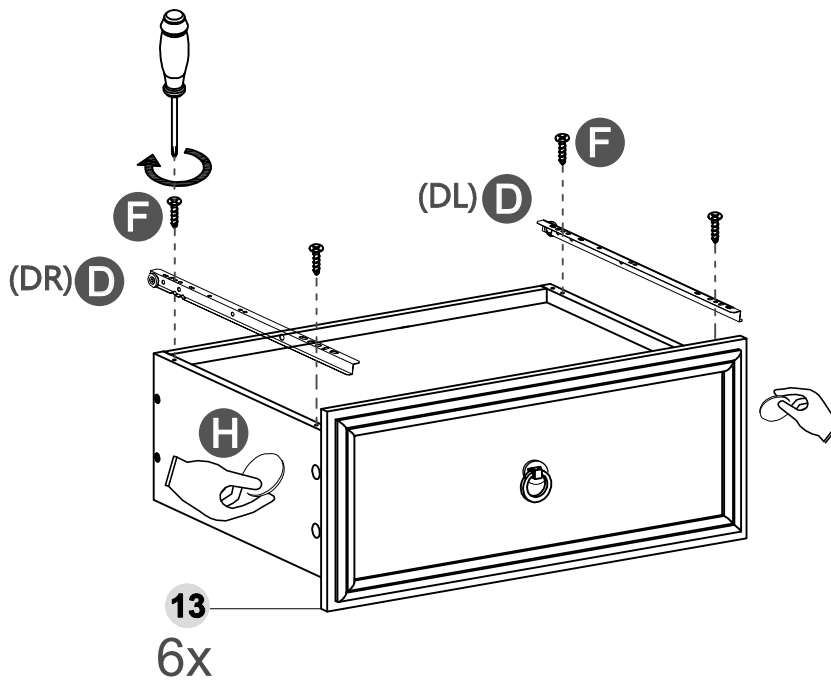
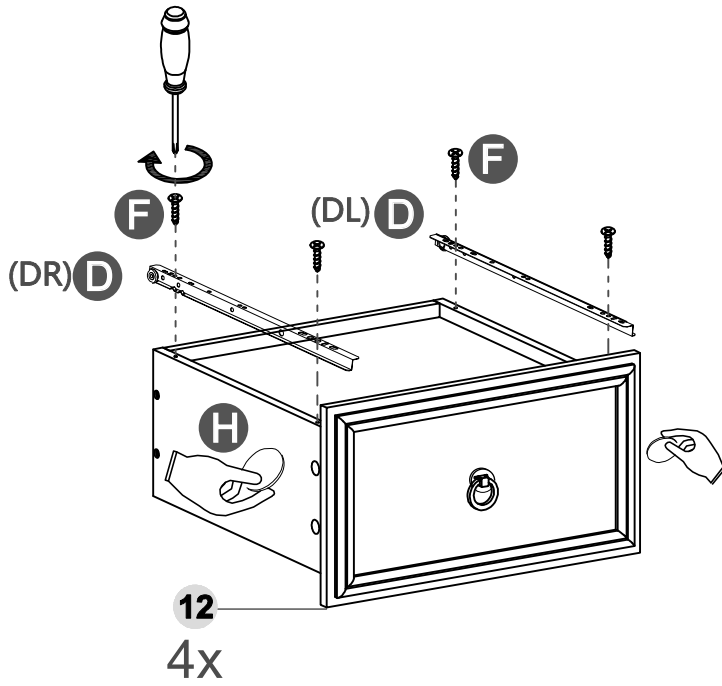
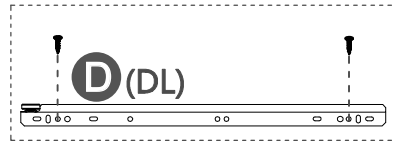
STEP 18

| | | |
|--|---|---|
|  |  |  |
| A 24X | B 24X | G 6X |

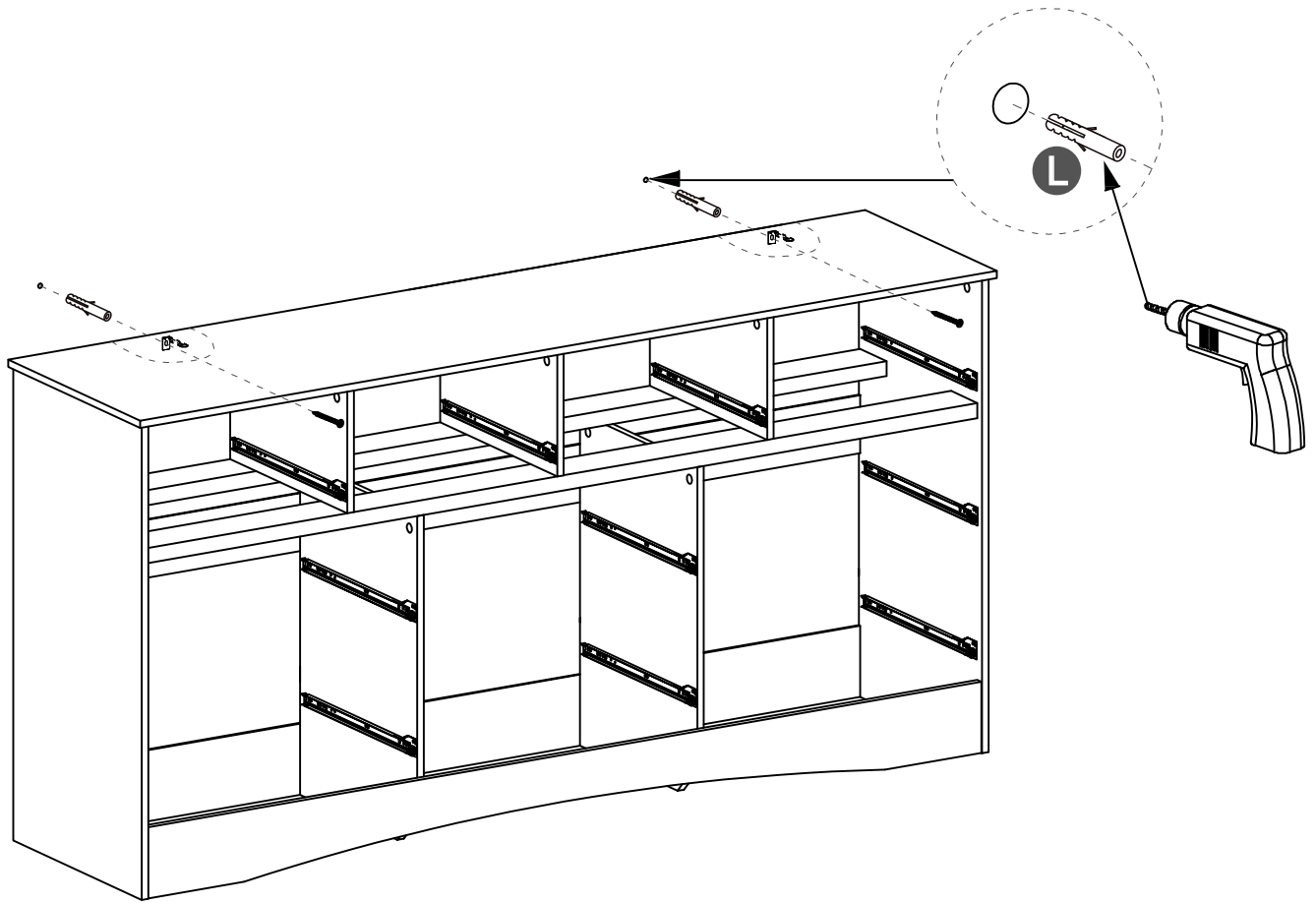
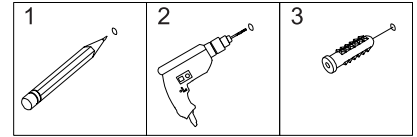
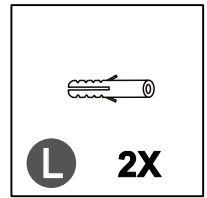


STEP 19

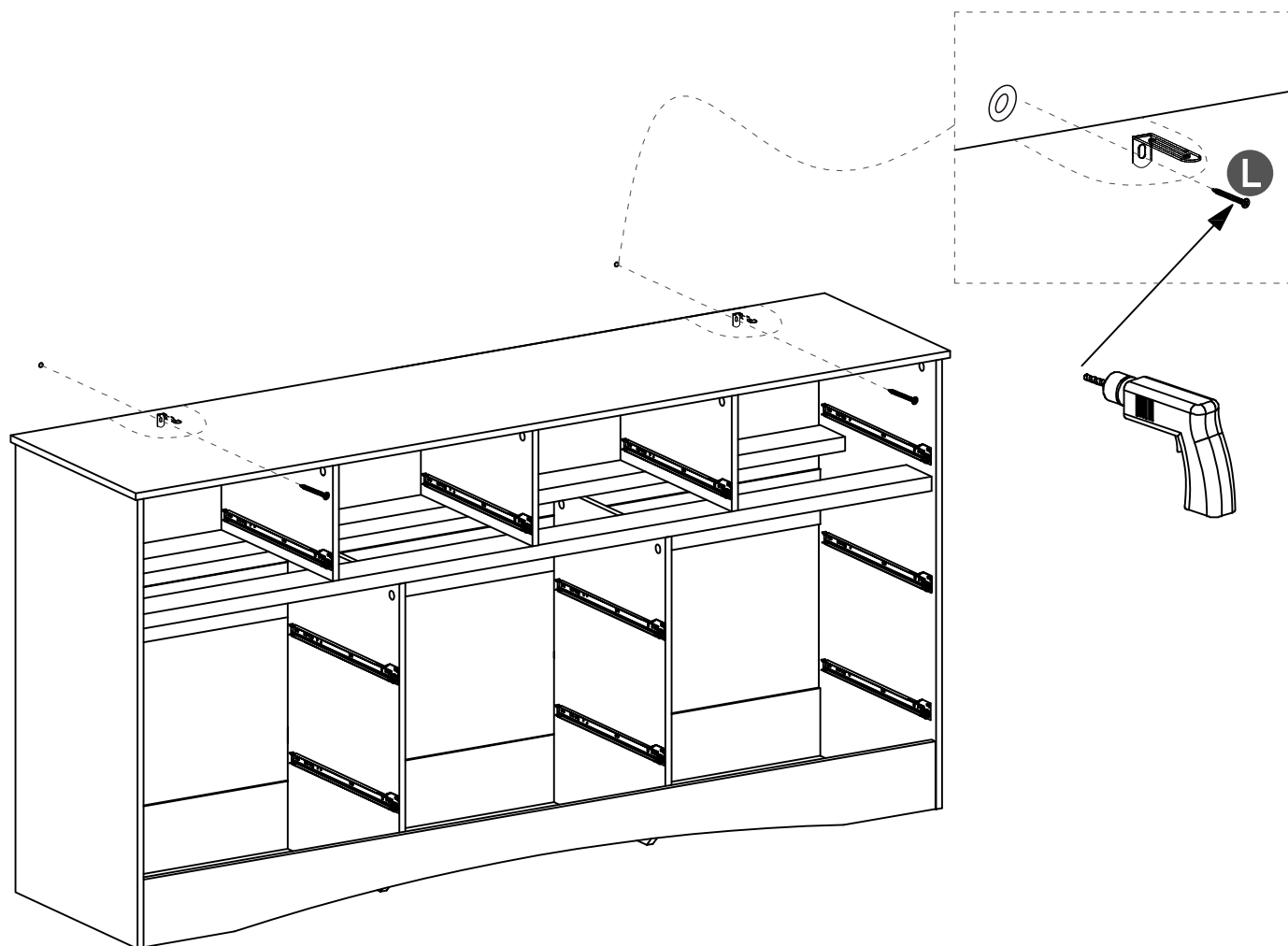
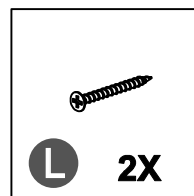
| | | | |
|---|--|---|---|
|  |  |  |  |
| H 40X | F 40X | D 10X | D 10X |



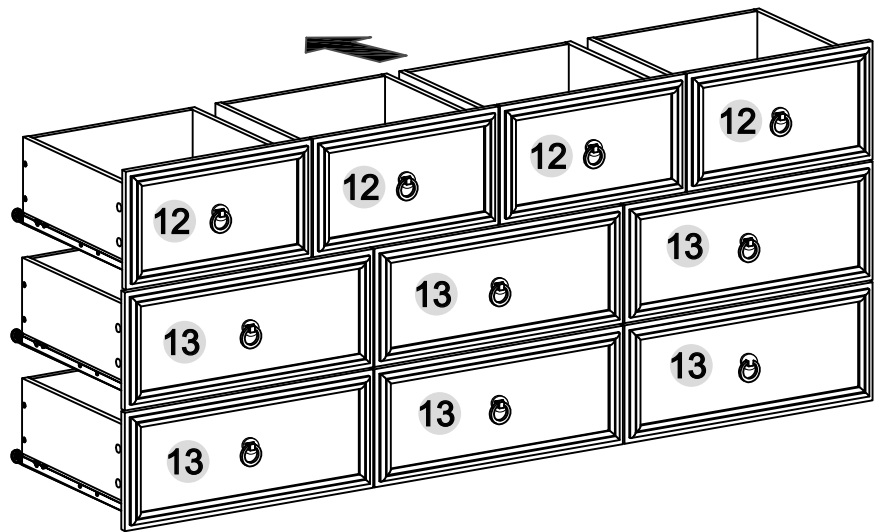
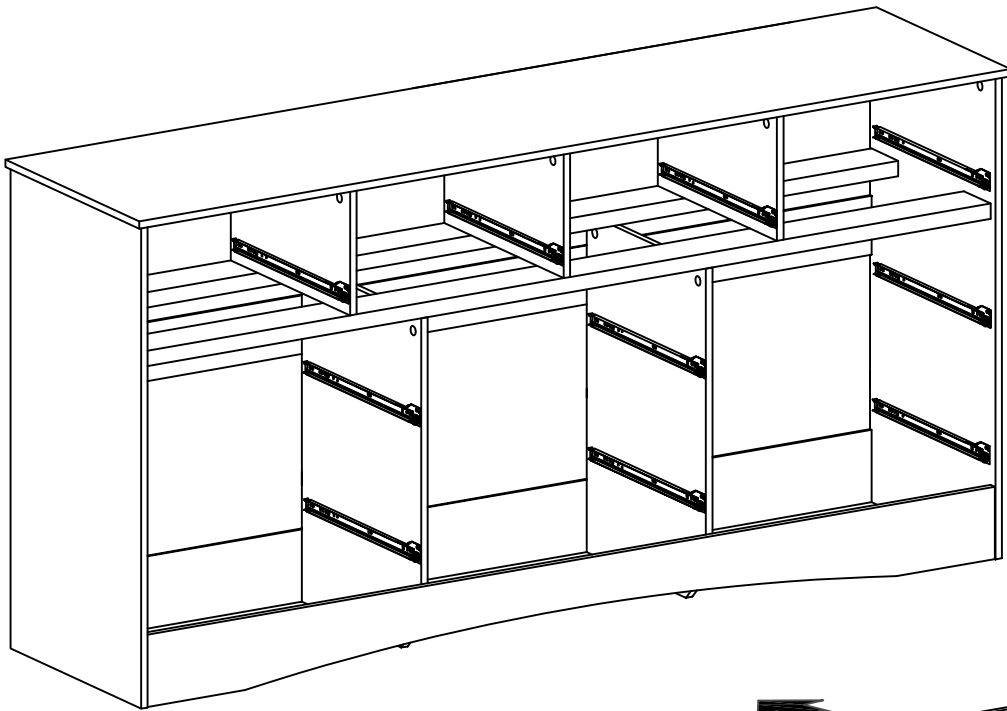
STEP 20



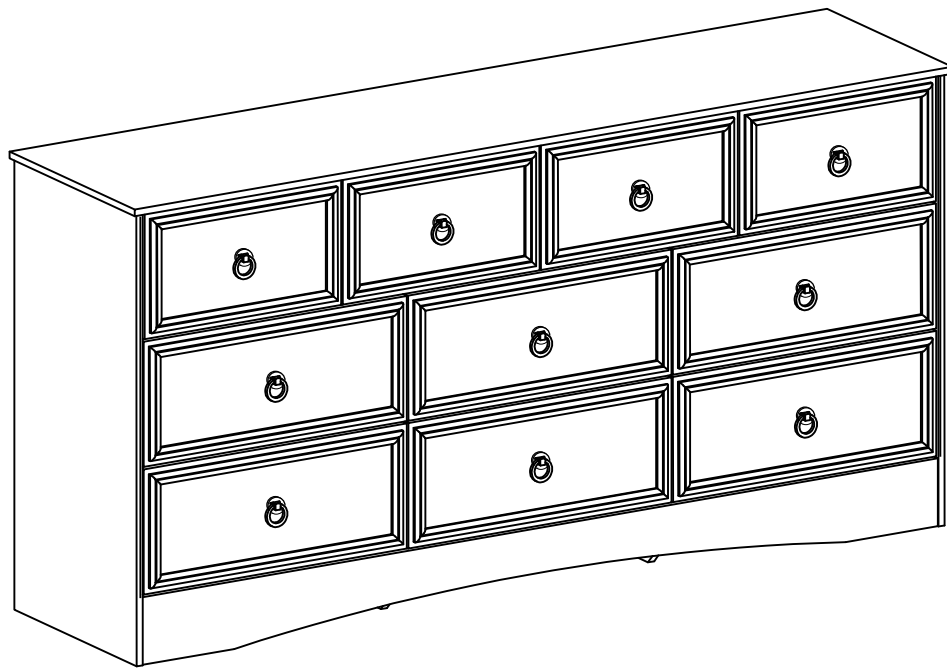
STEP 21



STEP 22



STEP 23



Congratulations on doing it.