

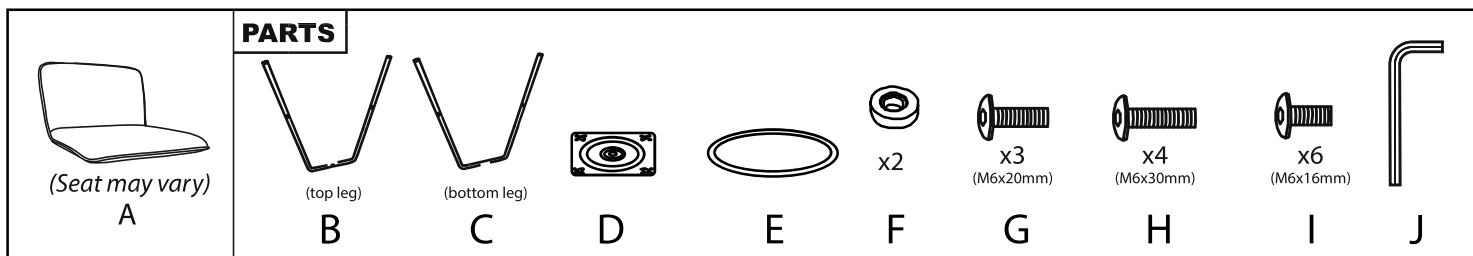
# 23"/27" Claire Frame

Assembly Instructions  
 Instrucciones De Asamblea  
 Instructions d'Assemblée


Part #L23/27"-CLAIRE XX

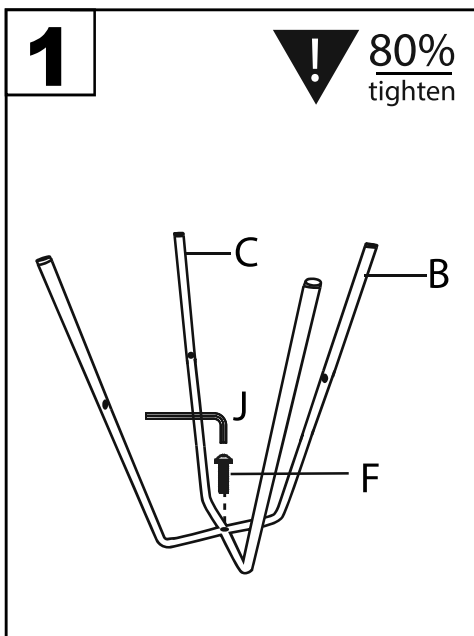
23-0214


**PARTS**

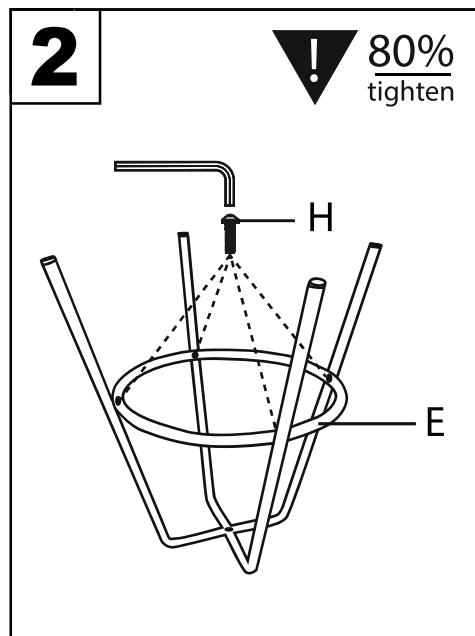



(Seat may vary)  
**A**  
 (top leg)  
**B**  
 (bottom leg)  
**C**  
**D**  
**E**  
 x2  
**F**  
 x3  
 (M6x20mm)  
**G**  
 x4  
 (M6x30mm)  
**H**  
 x6  
 (M6x16mm)  
**I**  
**J**

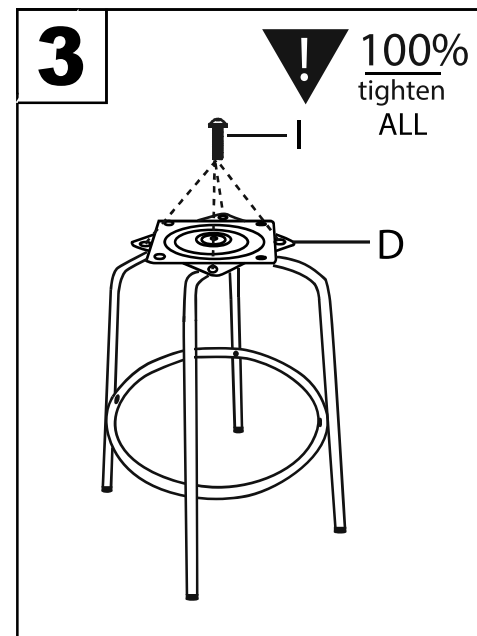
**1**  **80% tighten**



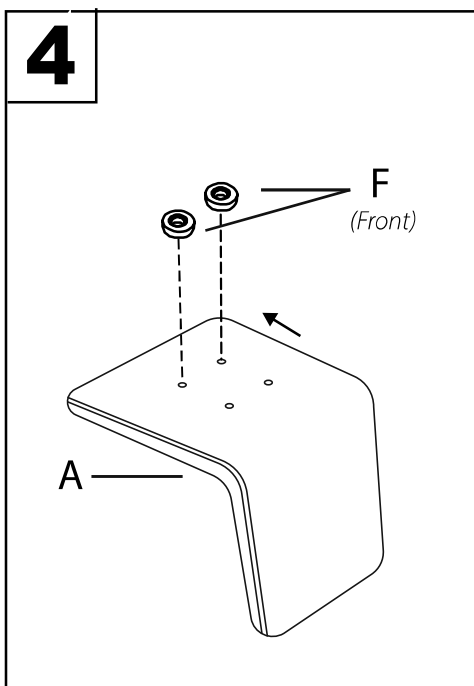
**2**  **80% tighten**



**3**  **100% tighten ALL**



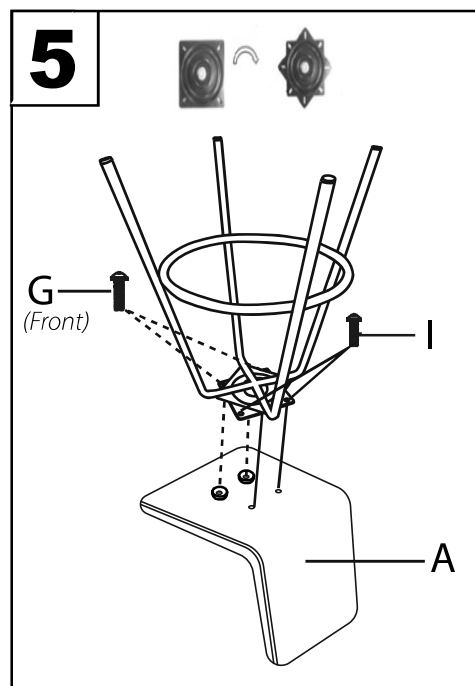
**4**



**F**  
 (Front)

**A**

**5**

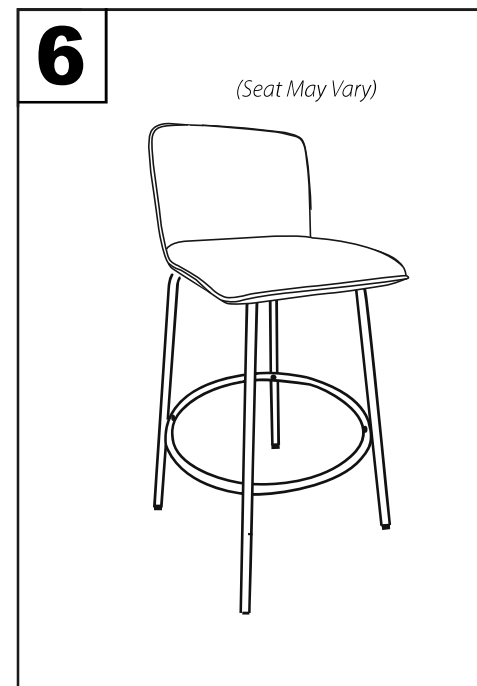


**G**  
 (Front)

**I**

**A**

**6** (Seat May Vary)



**⚠ WARNING:**

- Read all instructions carefully and completely before assembly and use. Retain for future reference.
- Keep plastic bags and small parts away from children.
- For residential (non-commercial) use only.
- DO NOT stand on product. Use only for intended table purpose.
- Max weight limit 250 lbs.
- Periodically check for loose hardware; retighten as necessary.
- DO NOT use product if any component becomes damaged.
- DO NOT use power tools to assemble OR overtighten hardware.