





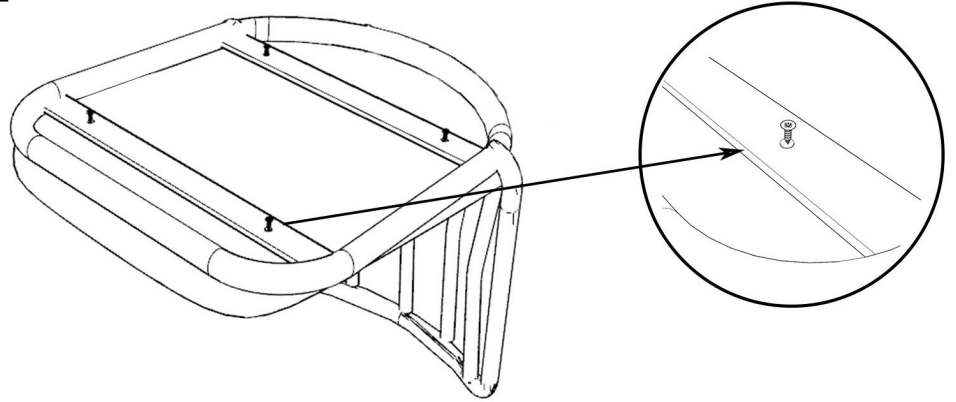
# CHAIR

## Assembling Instructions

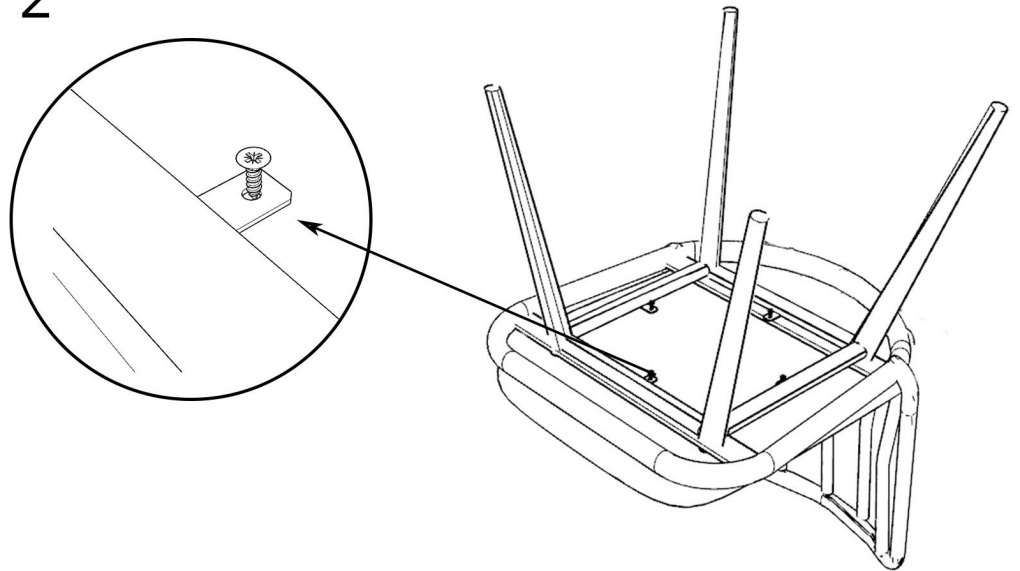
### Parts List

| P. No | Part Name           | Piece | Picture   |
|-------|---------------------|-------|---|
| 1     | Body                | 1     |  |
| 2     | Seat                | 1     |  |
| 3     | Leg                 | 1     |  |
| 4     | Screw<br>(4mmx25mm) | 8     |  |

1



2



3

