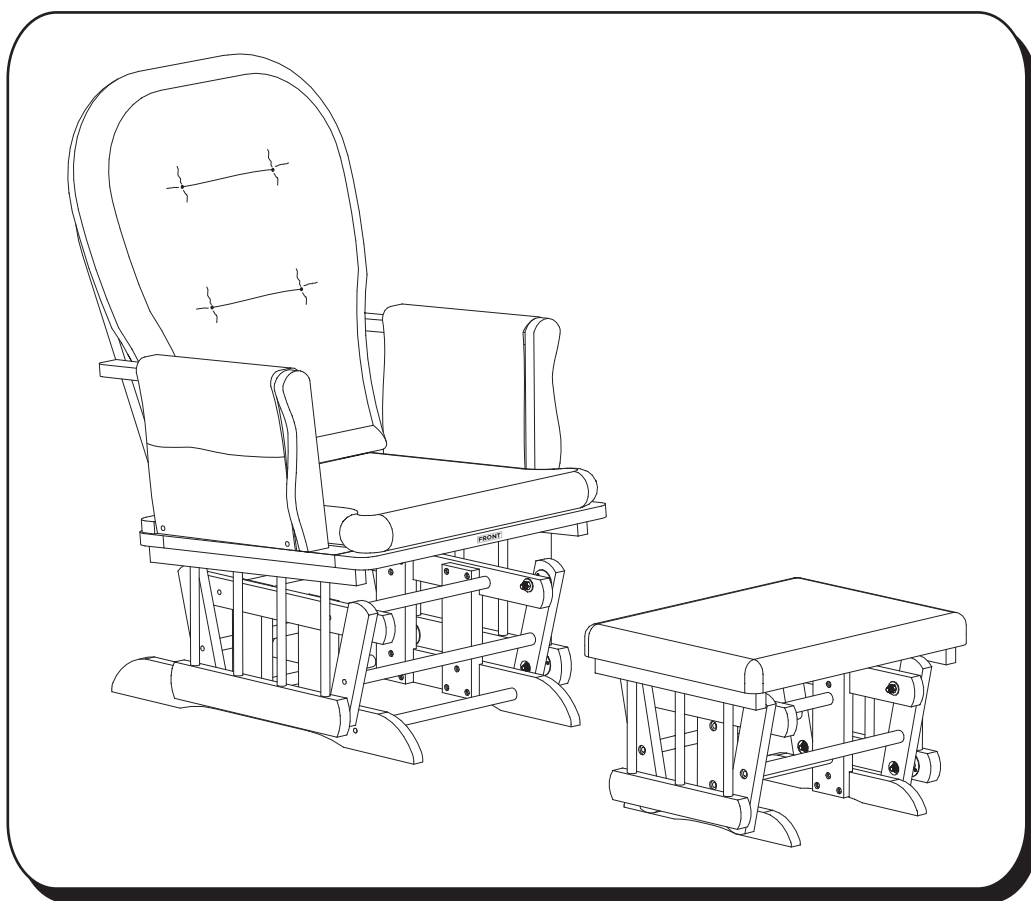


Glider and Ottoman



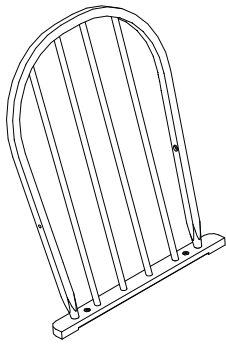
WARNING CAUTION

- **ADULT ASSEMBLY REQUIRED.**
- **CHOKING HAZARD.** This product includes small parts, sharp points and sharp edges in its unassembled state. Keep unassembled parts away from children under 3 years of age.

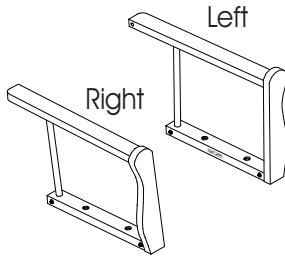
USE AND MAINTENANCE:

- Use on level surfaces only!
- Because this product needs assembly, it is prone to working itself loose from time to time depending on the use. Please take the time to check that all connections are still tight and working properly for the safety and enjoyment of you and your child.

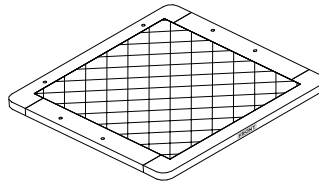
GLIDER COMPONENT PARTS



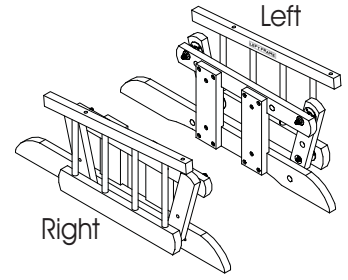
1 Back Rest (x1)



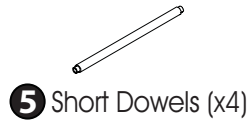
2 Left/Right Arms (x2)



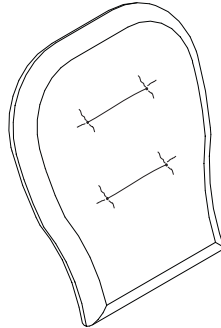
3 Seat Support (x1)



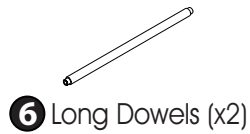
4 Left/Right Frames (x2)



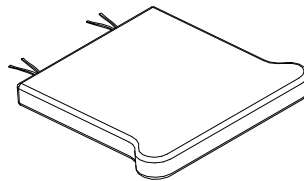
5 Short Dowels (x4)



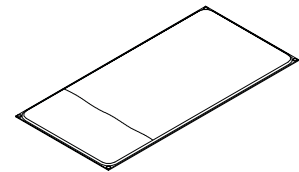
7 Back Cushion (x1)



6 Long Dowels (x2)

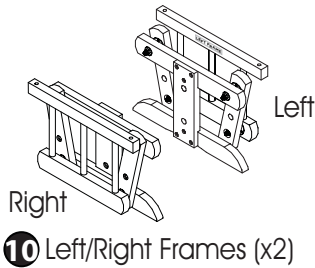


8 Seat Cushion (x1)

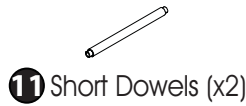


9 Left/Right Arm Cushions (x2)

OTTOMAN COMPONENT PARTS



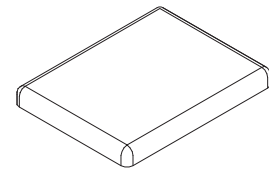
10 Left/Right Frames (x2)



11 Short Dowels (x2)

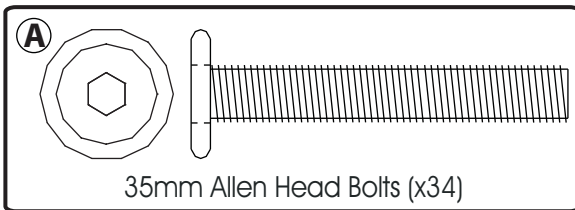


12 Long Dowels (x2)

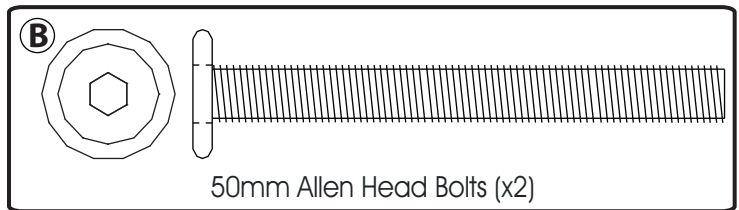


13 Cushion (x1)

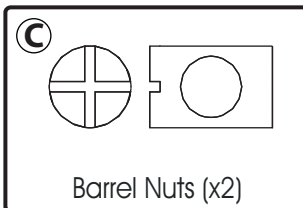
ASSEMBLY HARDWARE



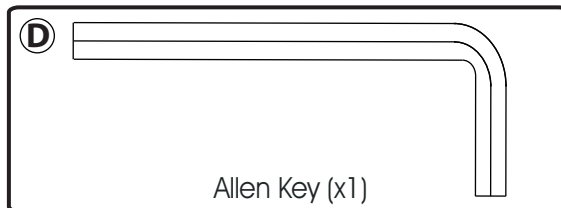
35mm Allen Head Bolts (x34)



50mm Allen Head Bolts (x2)



Barrel Nuts (x2)



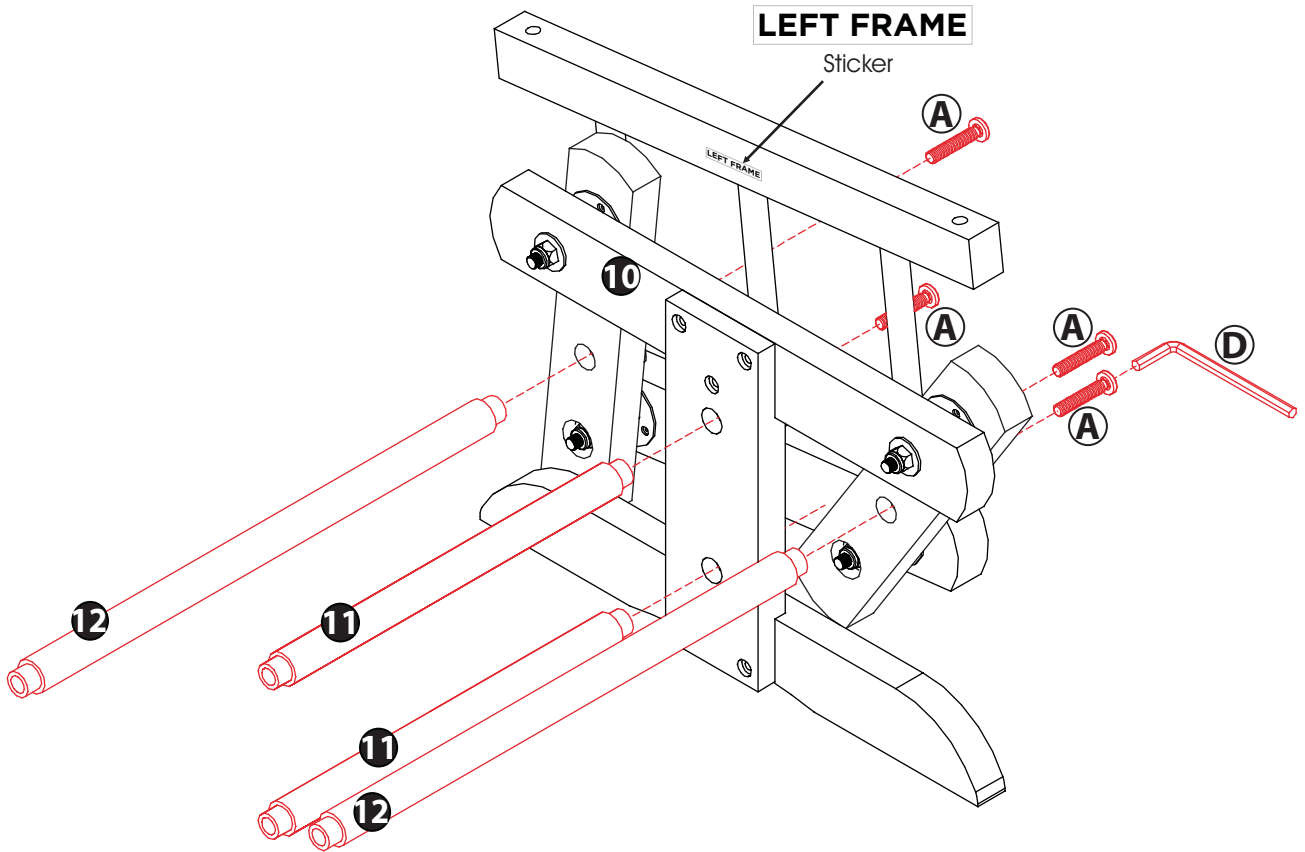
Allen Key (x1)

Note : Use a Phillips Screw-Driver for assembly (not included).

Please check to see if you have all the parts and components listed here. If you are missing any parts please **STOP** and contact our customer service staff

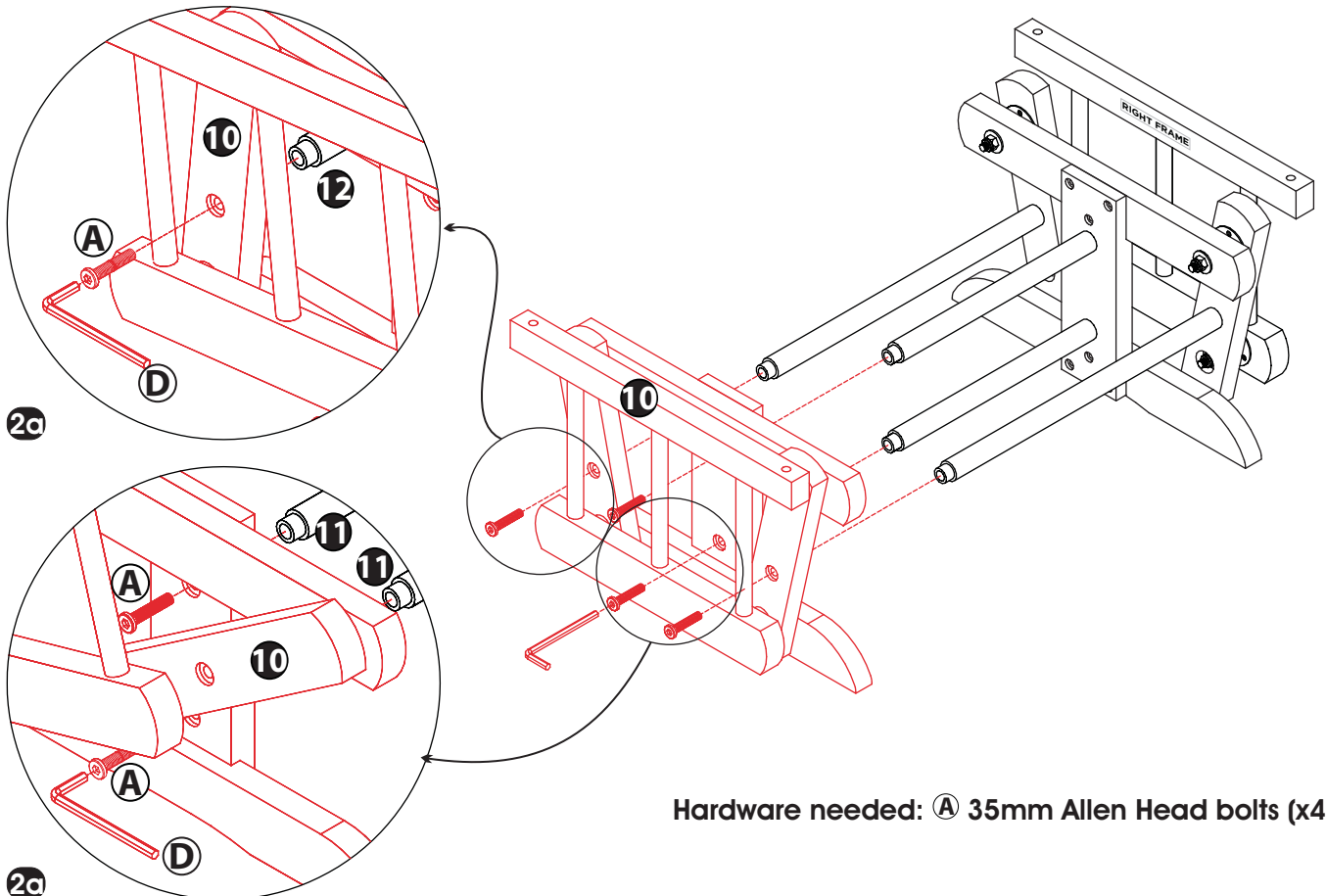
OTTOMAN ASSEMBLY INSTRUCTIONS

1



Hardware needed: (A) 35mm Allen Head bolts (x4)

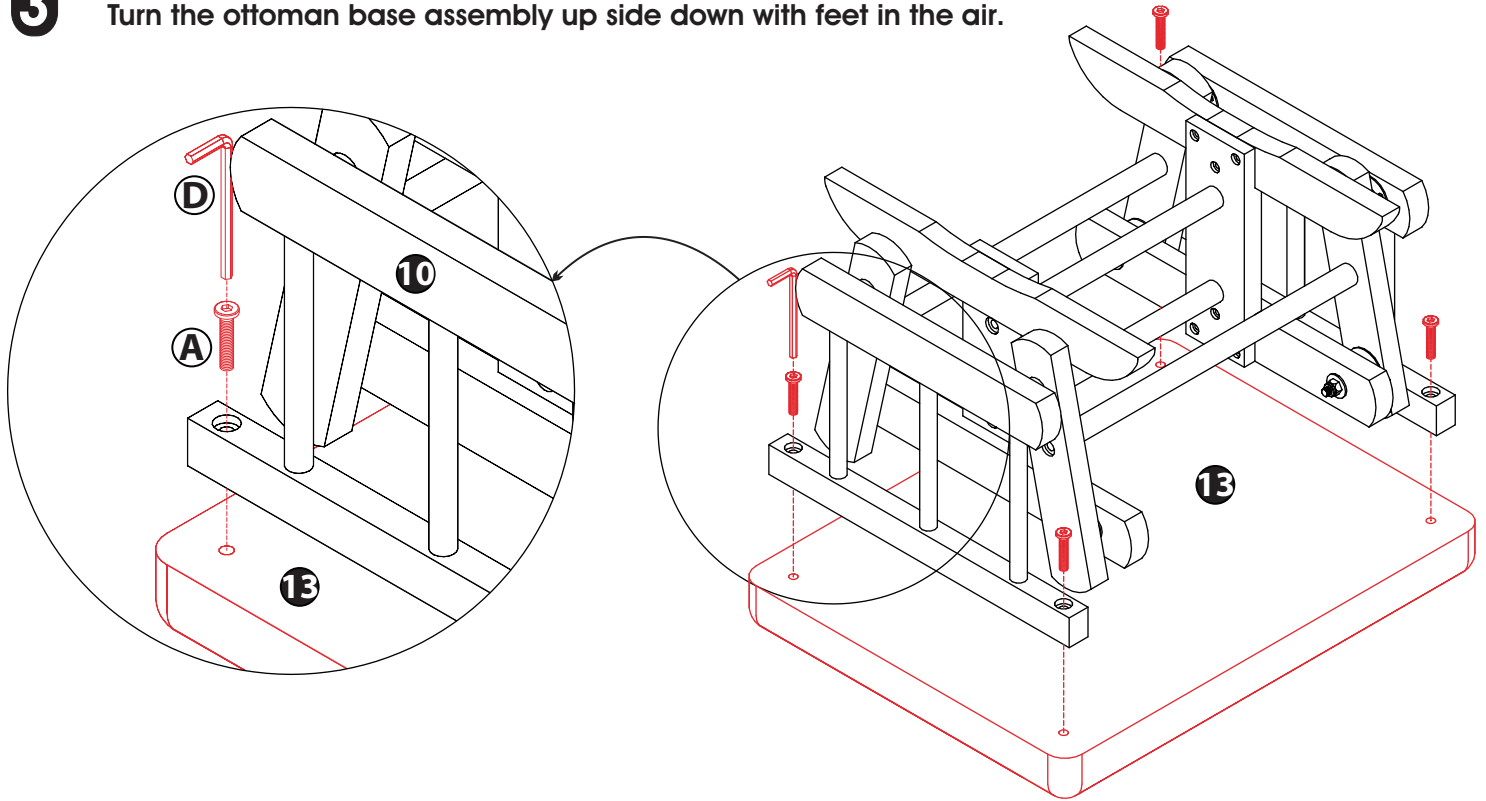
2



Hardware needed: (A) 35mm Allen Head bolts (x4)

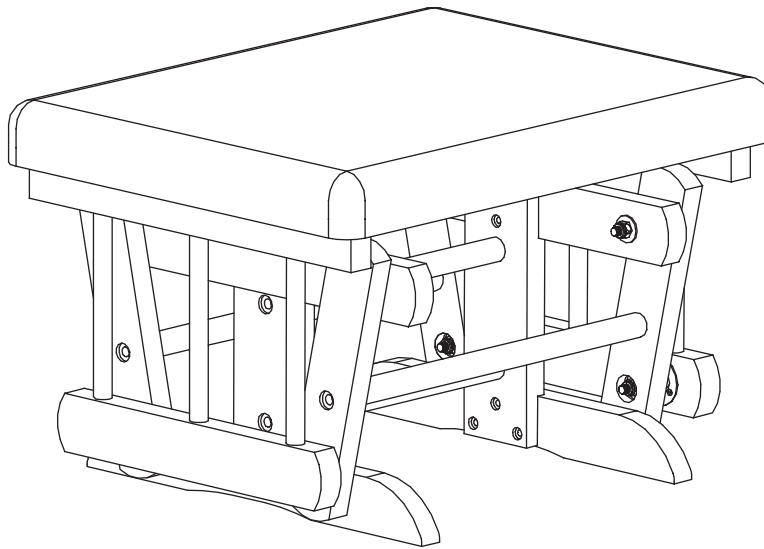
OTTOMAN ASSEMBLY INSTRUCTIONS

- 3** Turn the ottoman base assembly up side down with feet in the air.



Hardware needed: **A** 35mm Allen Head bolts (x4)

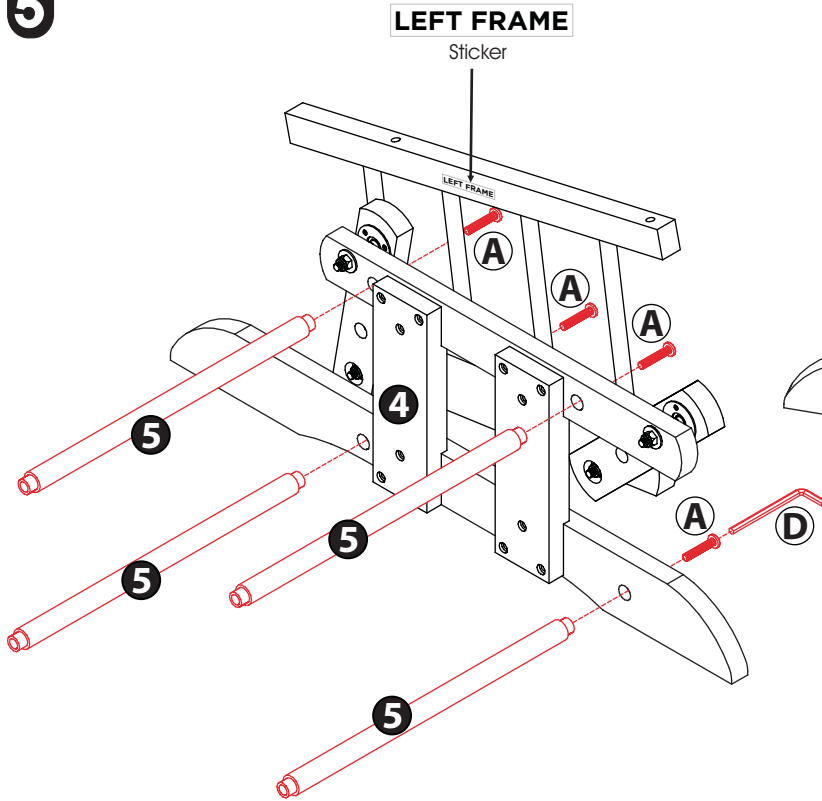
- 4** Turn the ottoman base assembly over onto its feet.



Ottoman Assembly Complete!

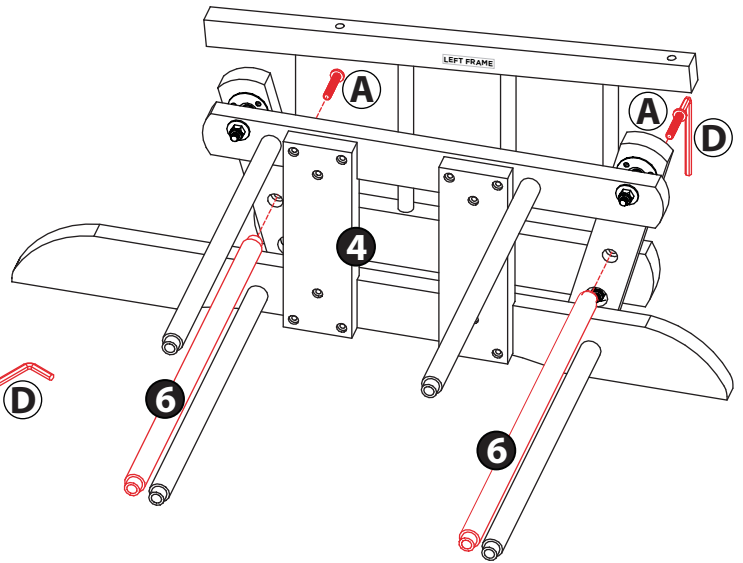
GLIDER ASSEMBLY INSTRUCTIONS

5



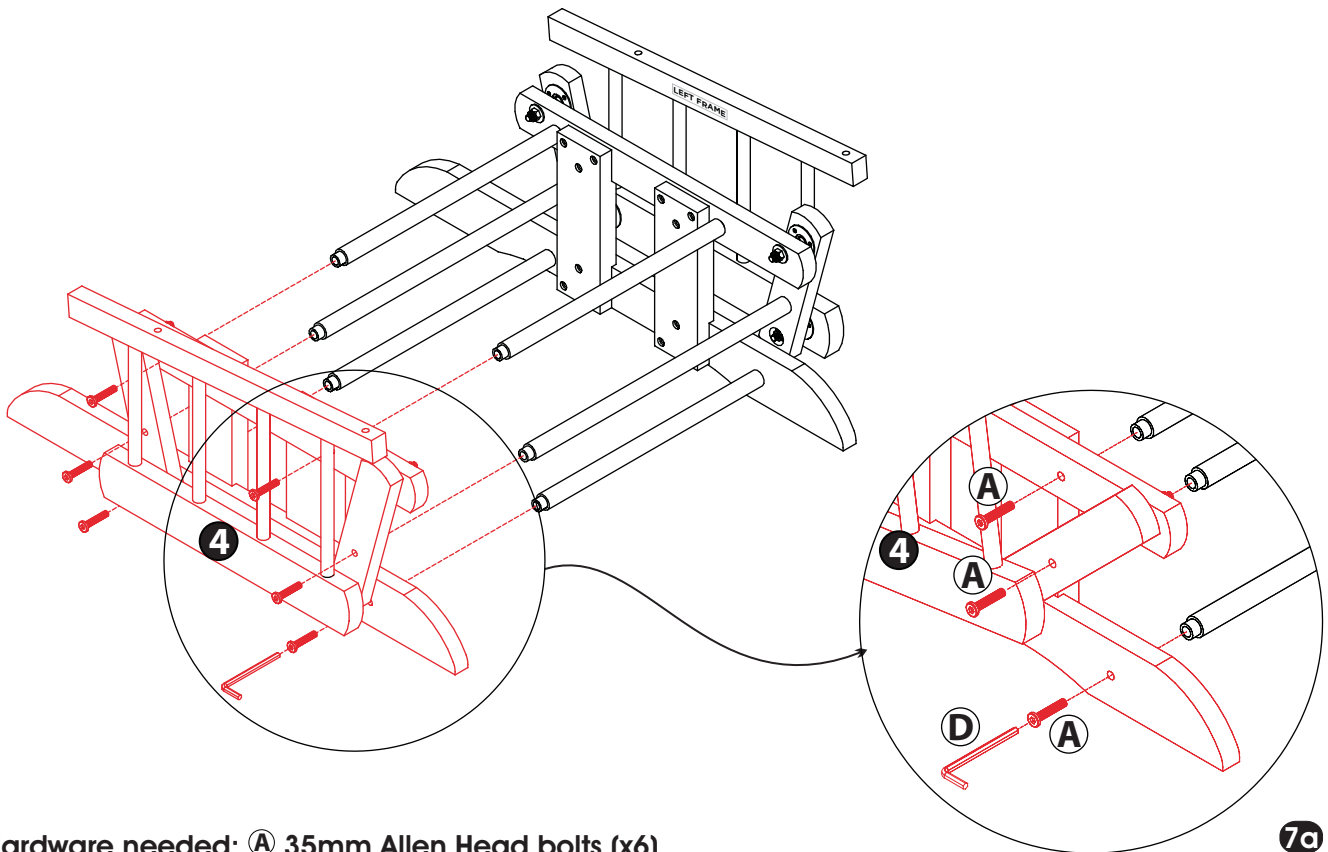
Hardware needed: (A) 35mm Allen Head bolts (x4)

6



Hardware needed: (A) 35mm Allen Head bolts (x2)

7



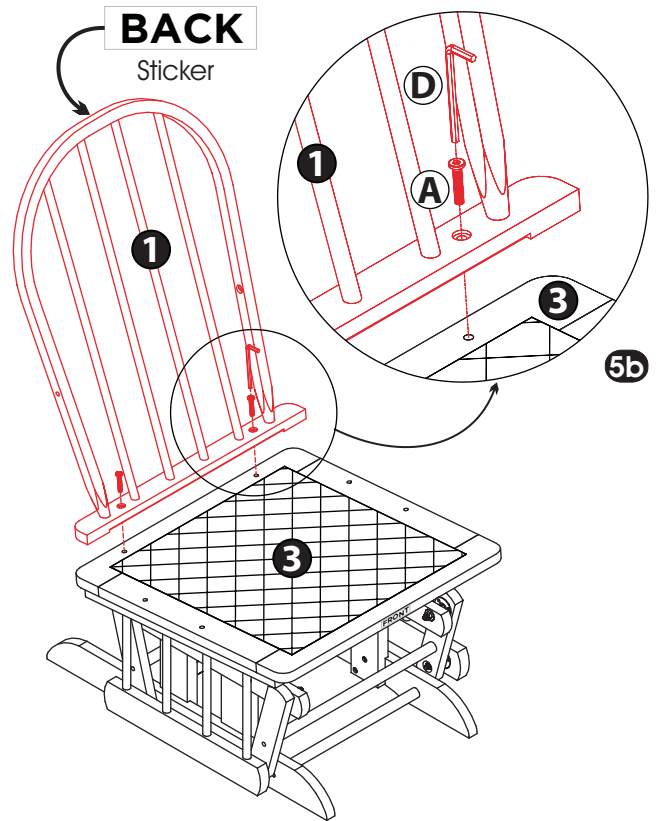
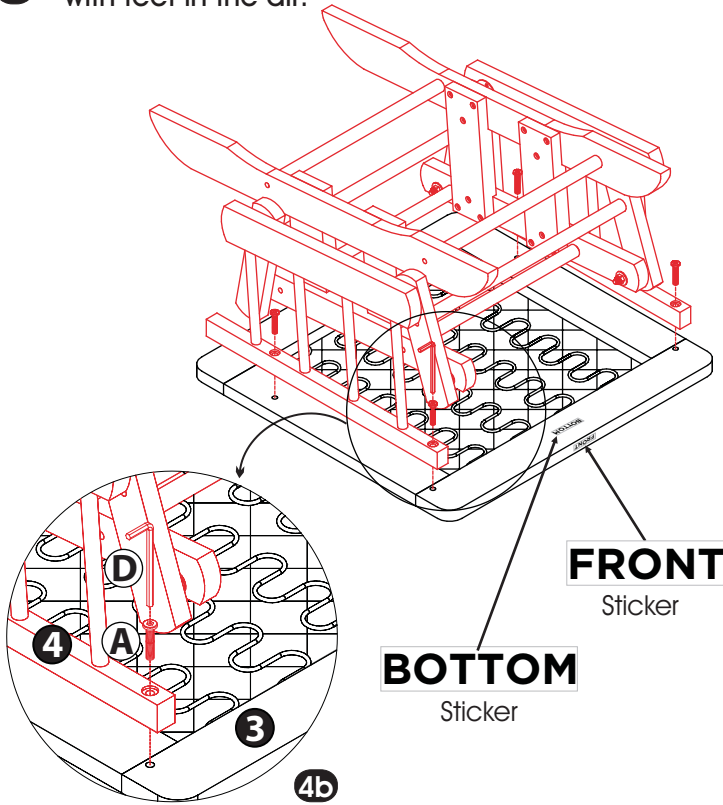
Hardware needed: (A) 35mm Allen Head bolts (x6)

7a

GLIDER ASSEMBLY INSTRUCTIONS

8 Turn the glider base assembly up side down with feet in the air.

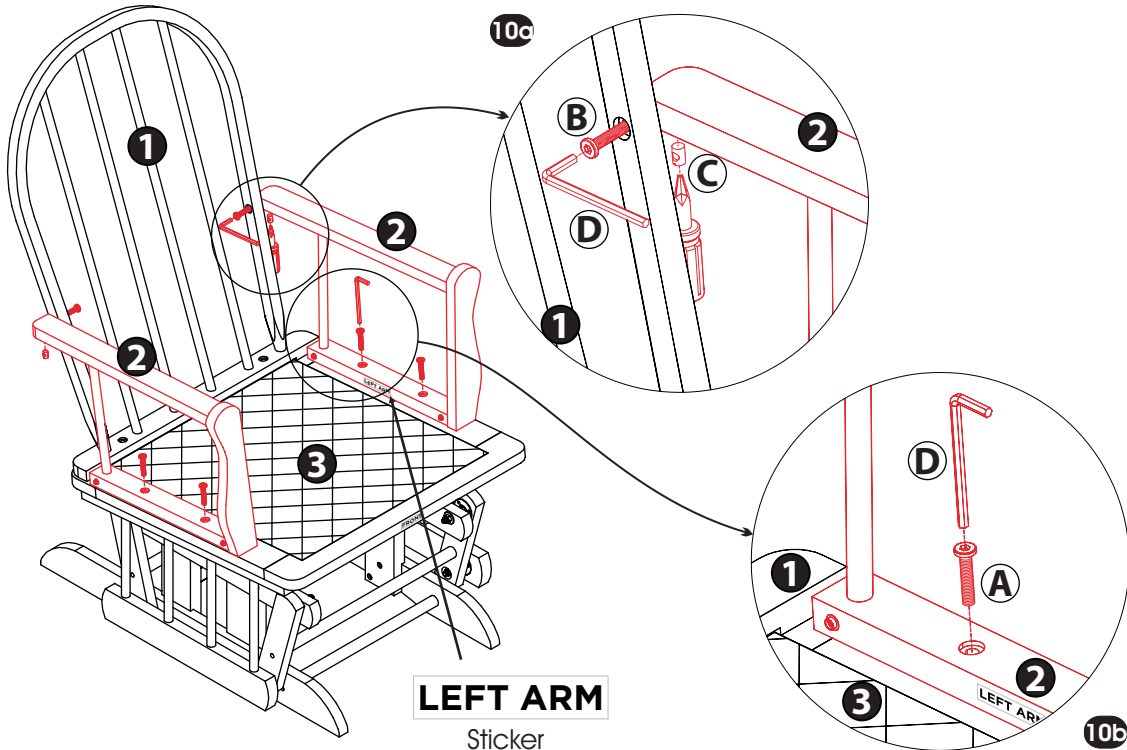
9 Turn the glider base assembly over on their feet and add the back rest.



Hardware needed: **A** 35mm Allen Head bolts (x4)

Hardware needed: **A** 35mm Allen Head bolts (x2)

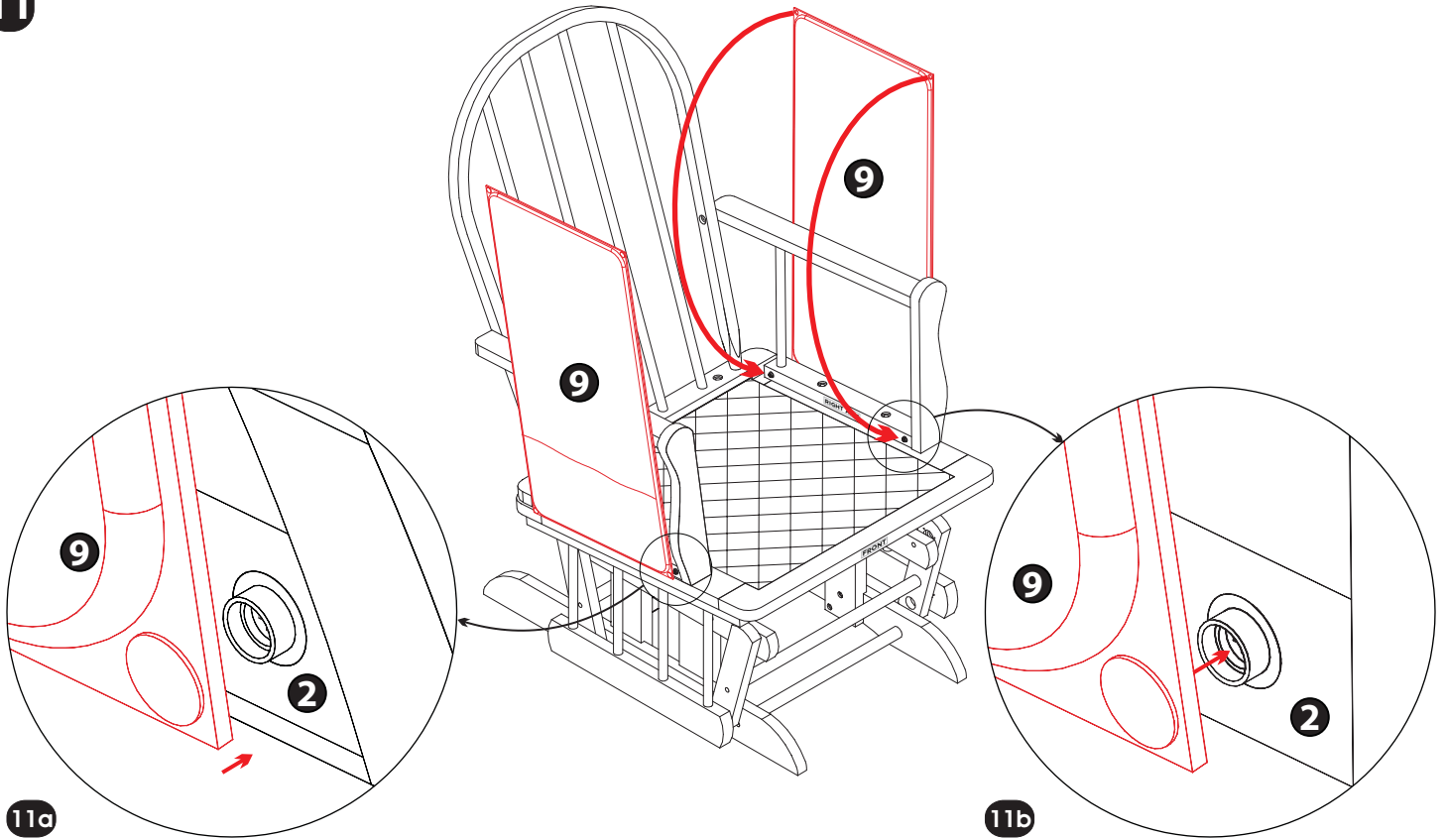
10



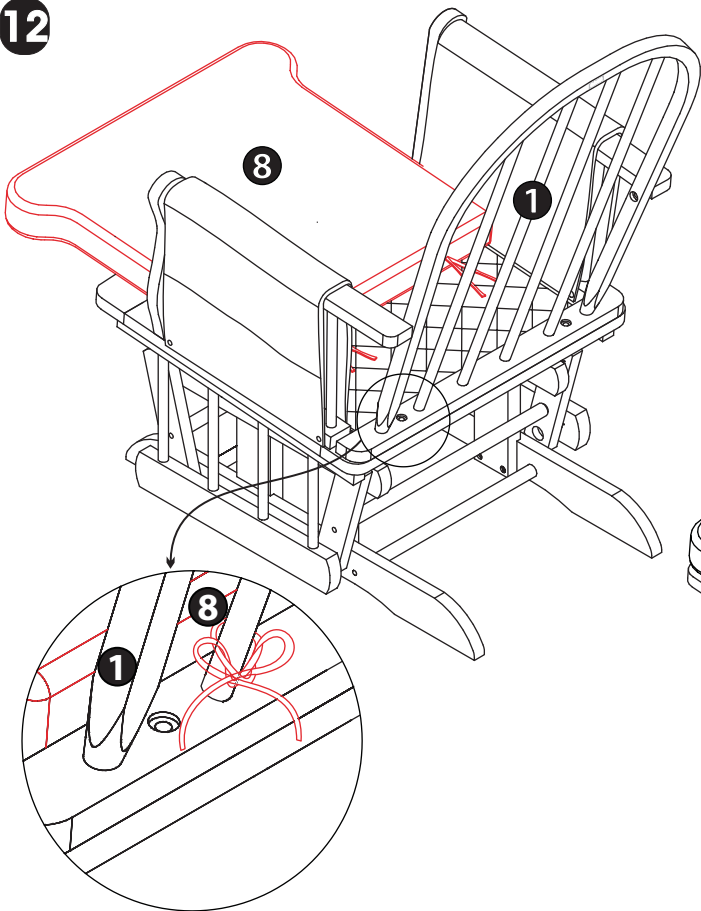
Hardware needed: **A** 35mm Allen Head bolt (x4), **B** 50mm Allen Head Bolt (x2) and **C** Barrel Nut (x2).

GLIDER ASSEMBLY INSTRUCTIONS

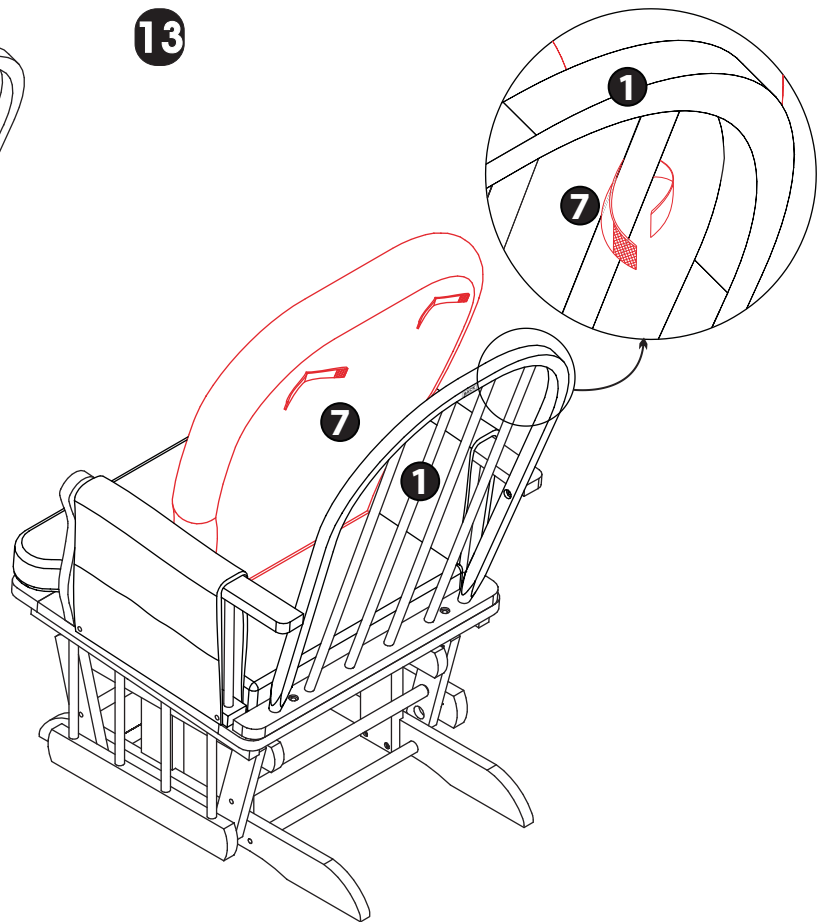
11



12



13



COMPLETED GLIDER AND OTTOMAN

