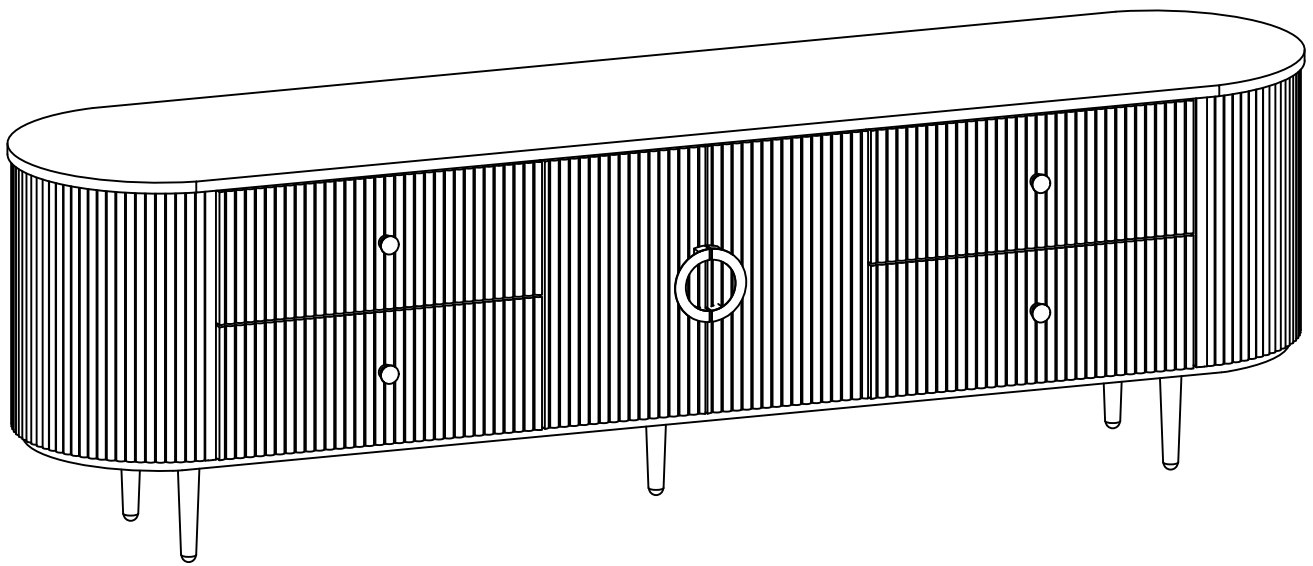


# TV STAND

Assembly Instructions - Please keep for future reference.



## DIMENSIONS

width - 70.87inch

Depth - 15.75inch

Height - 21.65inch



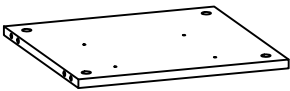


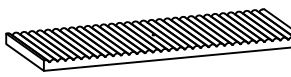
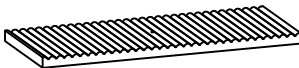
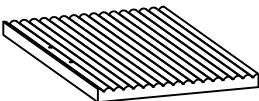
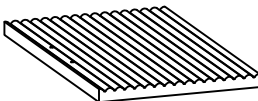
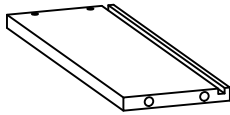
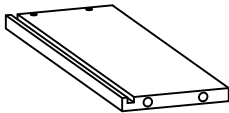




Important - Please read these instructions fully before starting assembly.

# components - fittings


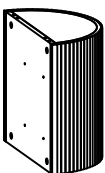
Please check you have all the panels listed below.

Note: The quantities below are the correct amount to complete the assembly. In some cases more fittings may be supplied than are required.

Box:1/2

|   |   |  |   |
|---|---|--|---|
|     |   |    |   |
| ① x 1pc   |   | ② x 1pc  |   |
|     |    |    |    |
| ⑤ x 1pc   | ⑥ x1 pc   | ⑦ x 1pc  | ⑧ x 2pcs  |
|   |  |  |  |
| ⑨ x 2pcs  | ⑩ x 1pc   | ⑪ x 1pc  | ⑫ x 4psc  |
|  |  |  |  |
| ⑬ x 4pcs  | ⑭ x 4pcs  | ⑮ x 4pcs   | ⑯ x 1pc   |
|  |   |  |   |
| ⑰ x 1pc   |   |  |   |

Box:2/2

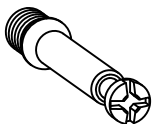










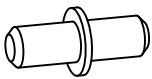

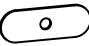


|   |   |
|---|---|
|  |  |
| ③ x 1pc   | ④ x 1pc   |

# components - fittings

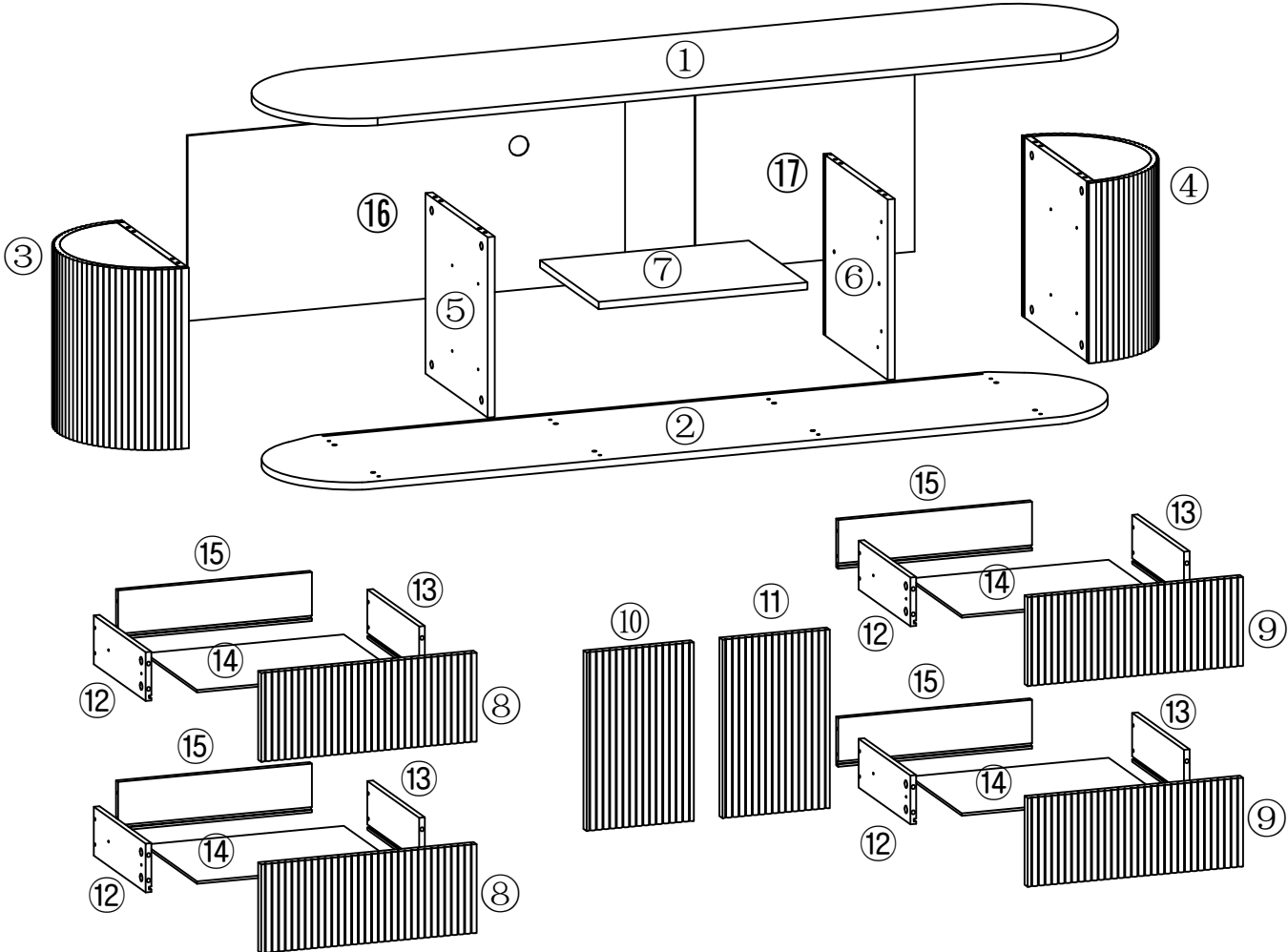
Please check you have all the panels listed below.

Note: The quantitie below are the correct amount to complete the assembly. In some cases more fittings may be supplied than are required.

Hardware-Liste - Box:1/2

|  |  |   |  |
|--|--|---|--|
| <br>M6x35mm | <br>Φ15x9mm   | <br>Φ8x30mm   | <br>M3x12mm   |
| A x 32pcs  | B x 32pcs  | C x 16pcs   | D x 50pcs  |
|             |              |              |              |
| E x 8pcs   | F x 5pcs   | G x 4pcs  | H x 4pcs   |
|           | <br>M4x25mm | <br>M4x22mm |             |
| I x 2pcs   | J x 16pcs  | K x 8pcs  | L x 4pcs   |
|           |             | <br>M3x16mm | <br>M4x12mm |
| M x 1pc  | N x 2pcs   | O x 2pcs  | P x 44pcs  |

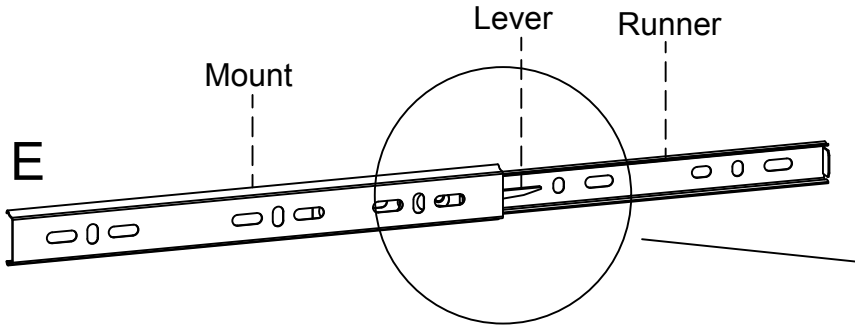
# Assembly Instructions



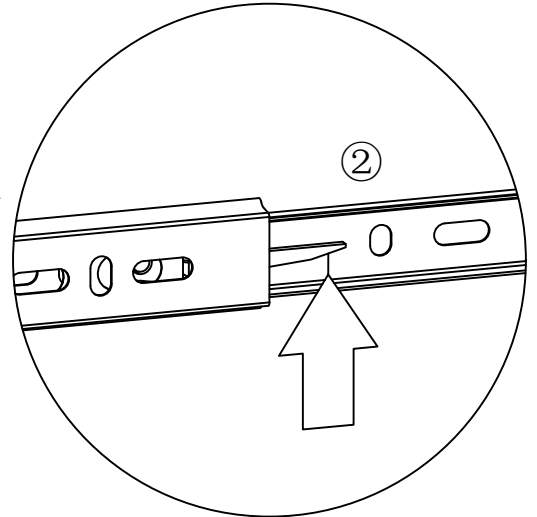
# Assembly Instructions

## STEP 1

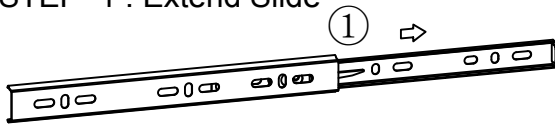
Slides Must Be Separated Before Assembly.  
After Separated, Set Aside Until Needed for Assembly.



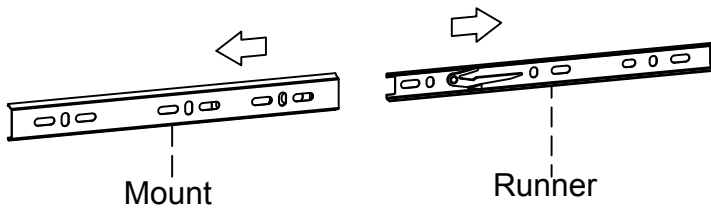
STEP 2 : Push Lever UP



STEP 1 : Extend Slide

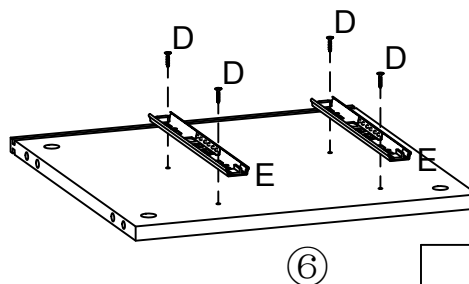
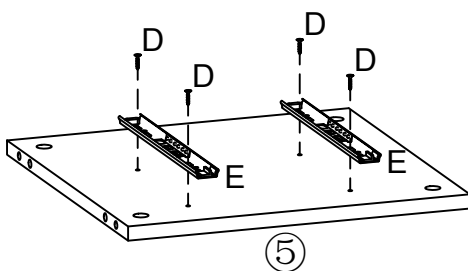
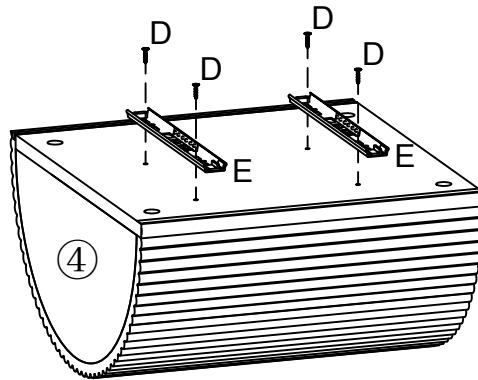
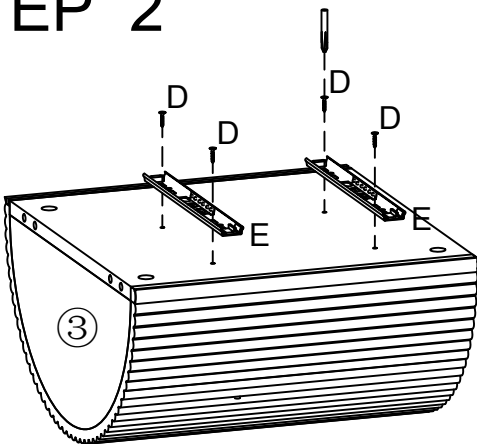
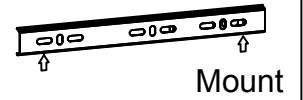




STEP 3 : Remove Runner



## STEP 2

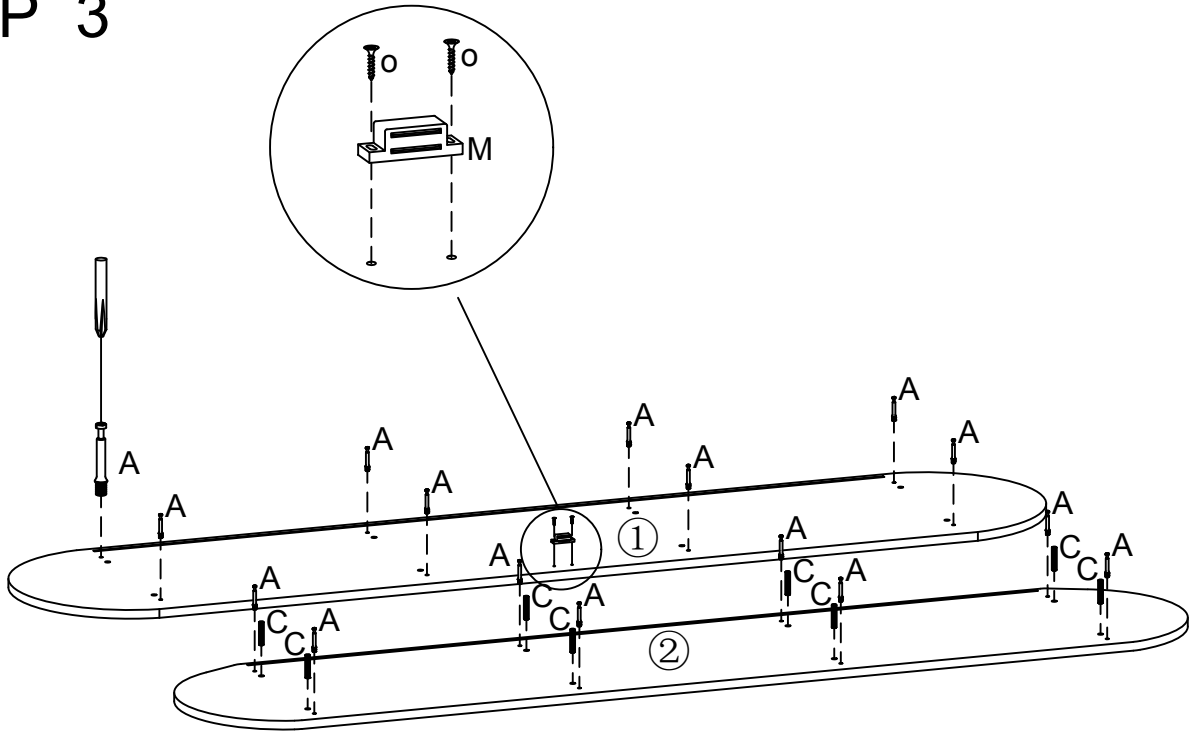
orientation



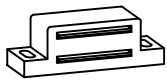



|   |   |
|---|---|
|  |  |
| D x16pcs  | Mount   |
|   | E x 8pcs  |

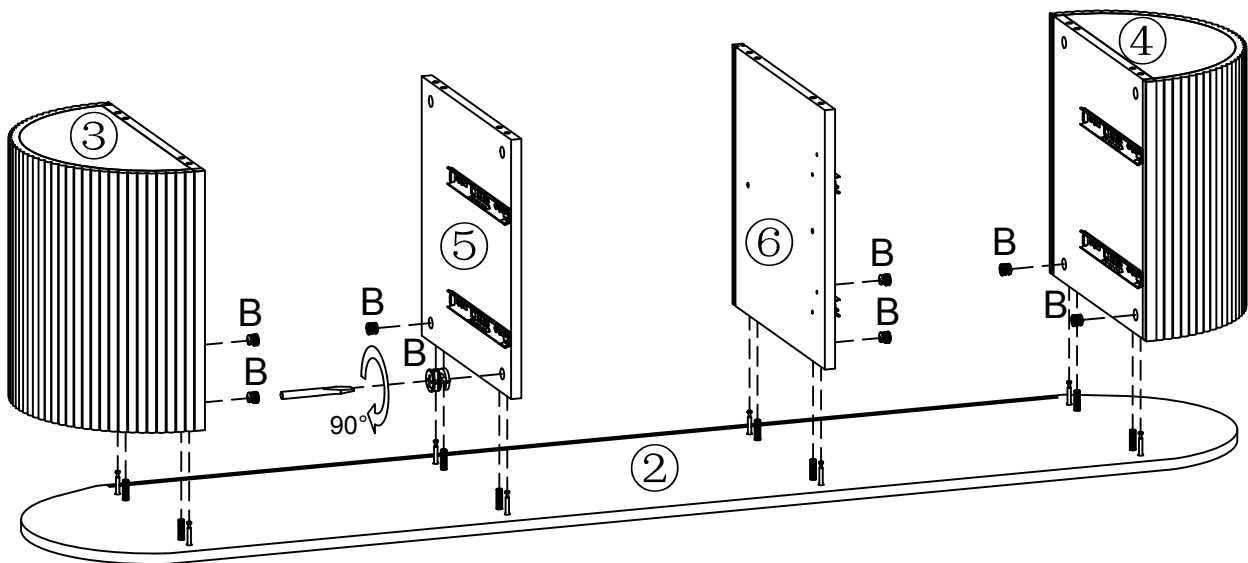
# Assembly Instructions

## STEP 3



|  |  |  |   |
|--|--|--|---|
|  |  |  |  |
| A x16pcs   | C x8pcs  | M x1pc   | O x2pcs   |

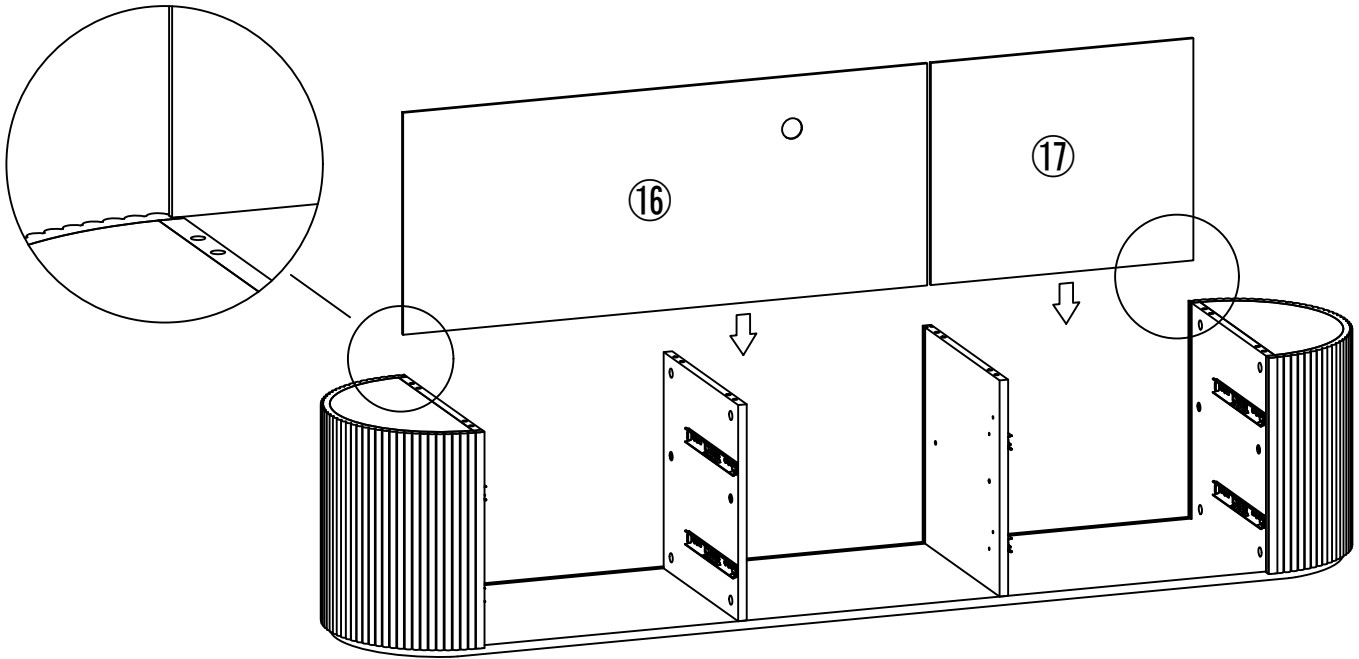
## STEP 4



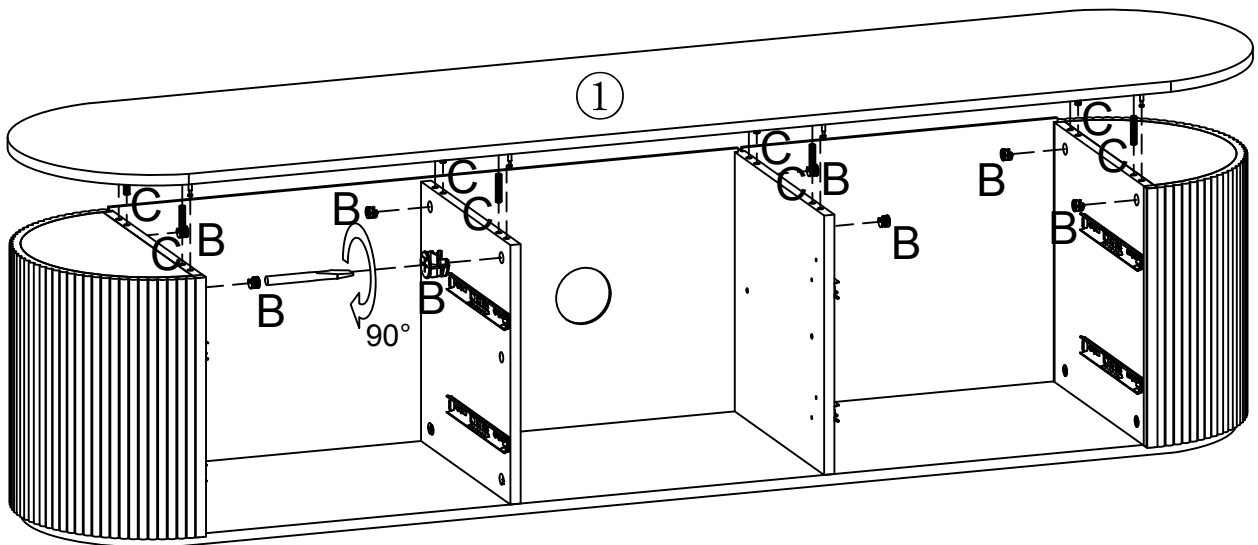
B x8pcs


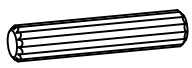
# Assembly Instructions

## STEP 5



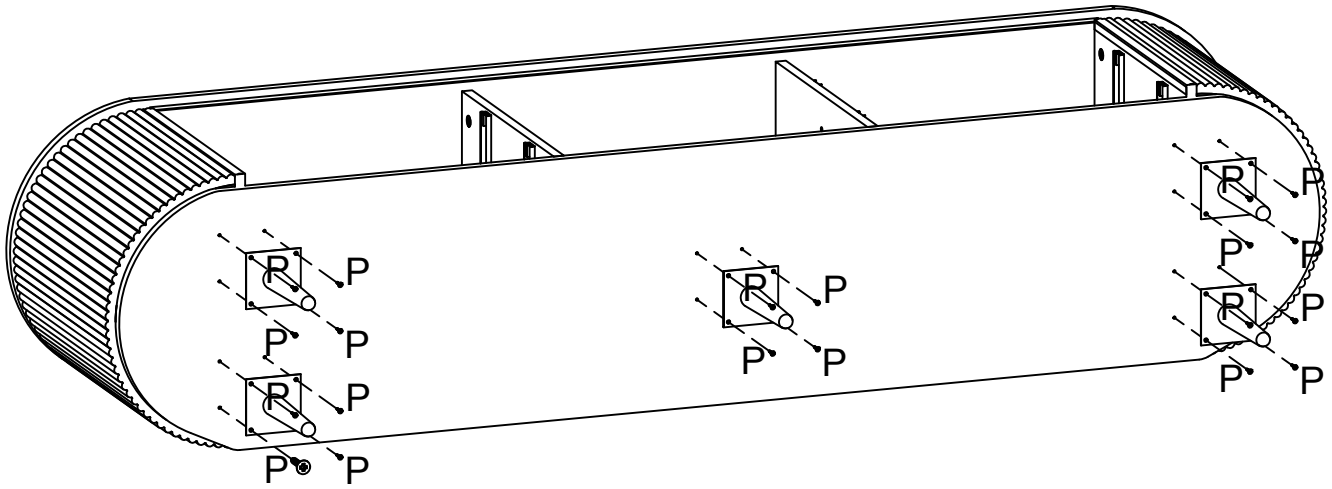
## STEP 6





|   |   |
|---|---|
|  |  |
| B x8pcs   | C x8pcs   |

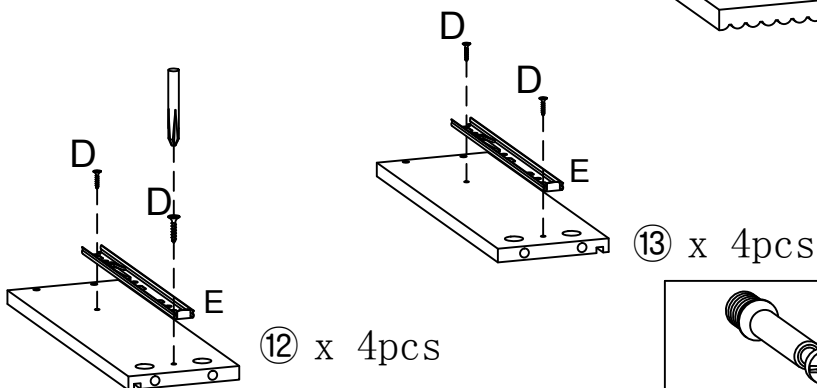
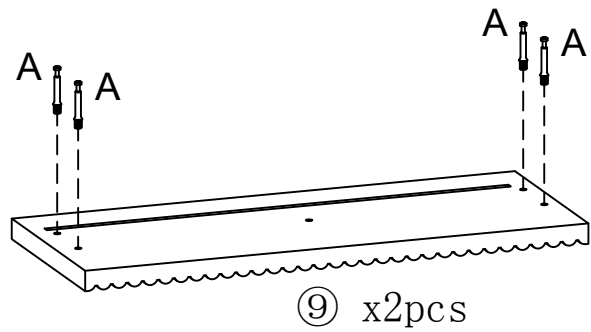
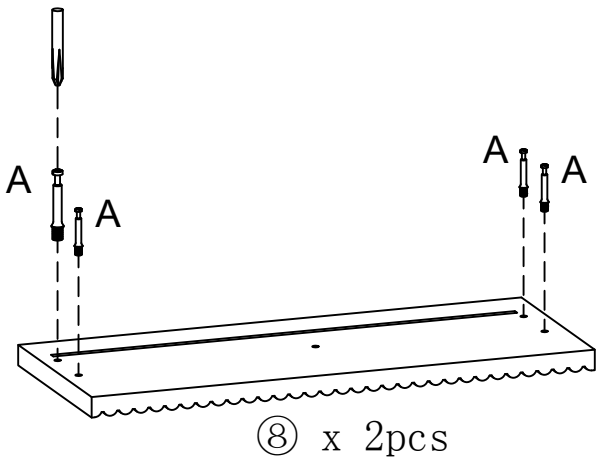
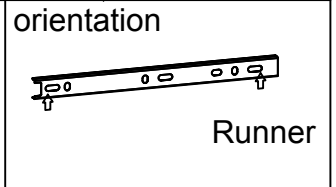
# Assembly Instructions




## STEP 7



|   |  |
|---|--|
|  |  |
| P x20pcs  | F x5pcs  |

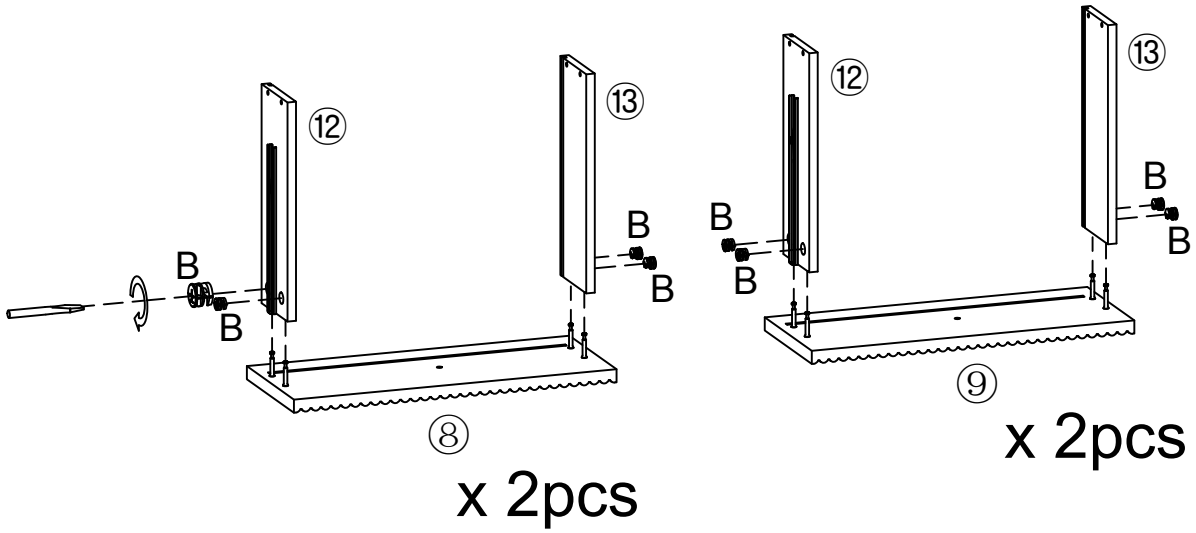
## STEP 8



|  |   |   |
|--|---|---|
|  |  |  |
| A x16pcs   | D x16pcs  | E x8pcs   |

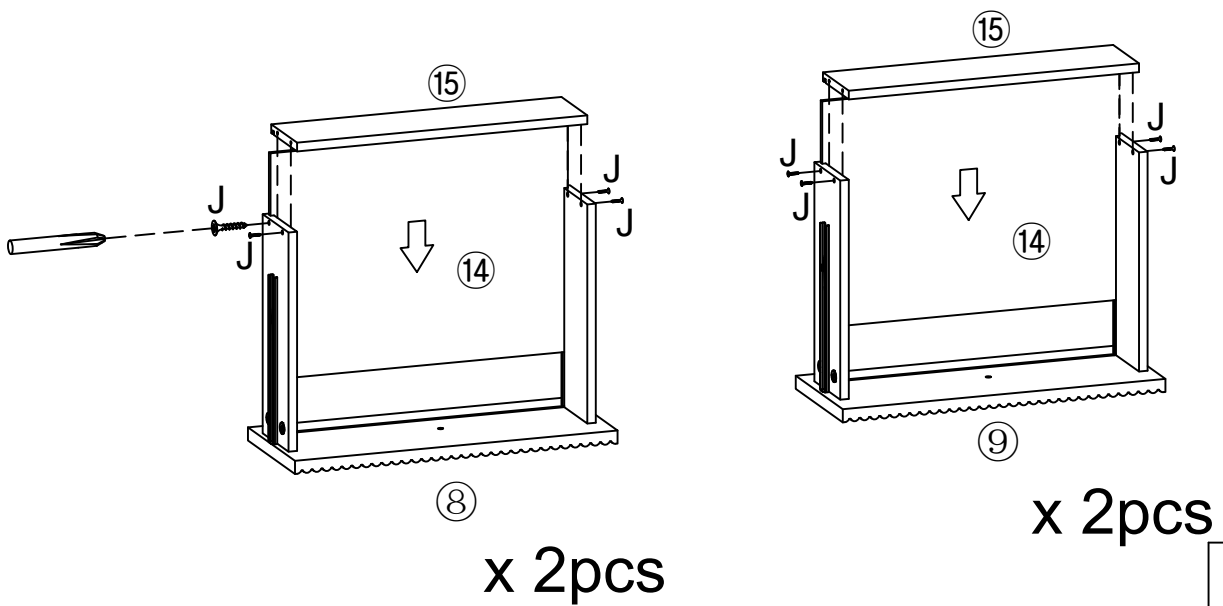
# Assembly Instructions

## STEP 9



B x16pcs

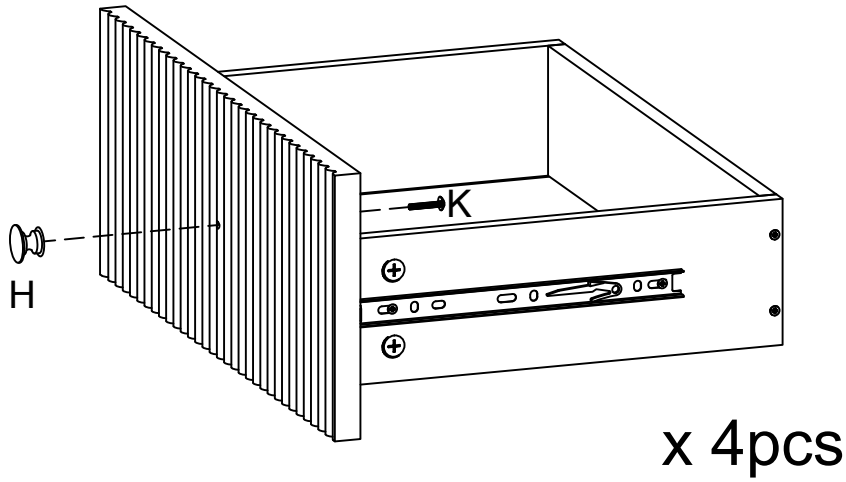
## STEP 10

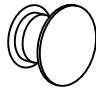
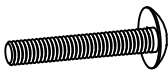


J x16pcs

# Assembly Instructions

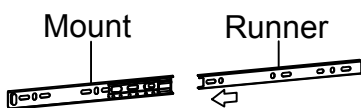
## STEP 11



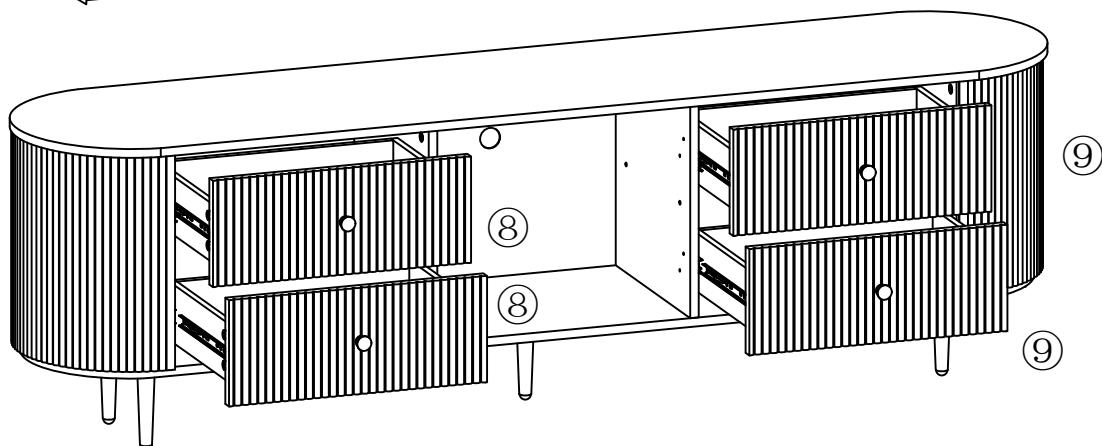
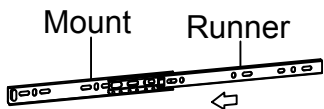
|   |   |
|---|---|
|  |  |
| H x4pcs   | K x4pcs   |

## STEP 12

STEP 1 : Extend Slide

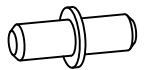
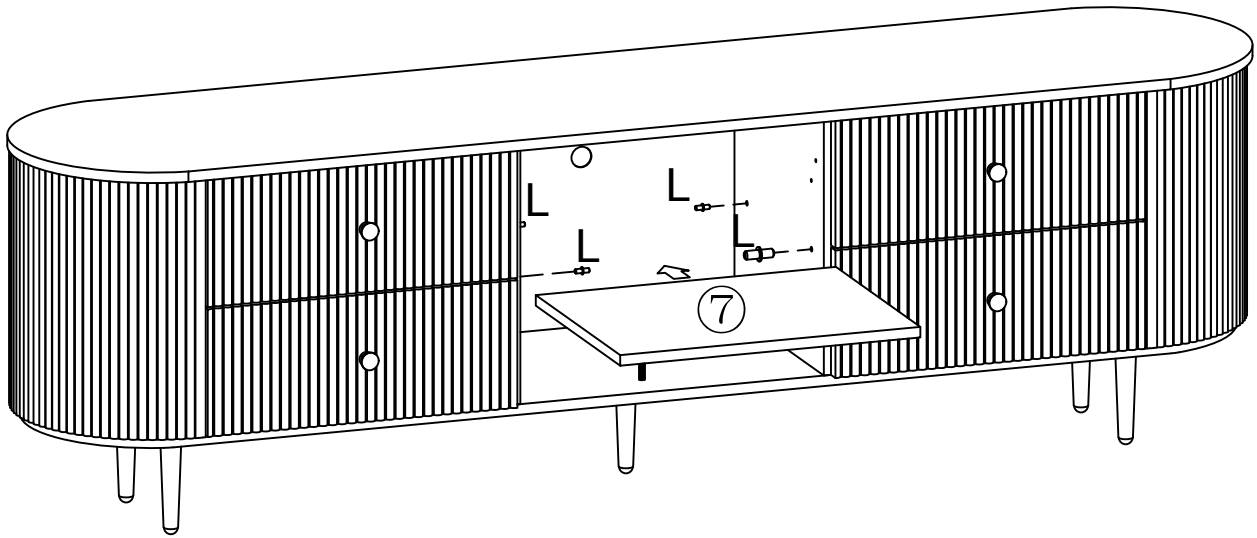


STEP 1 : Extend Slide



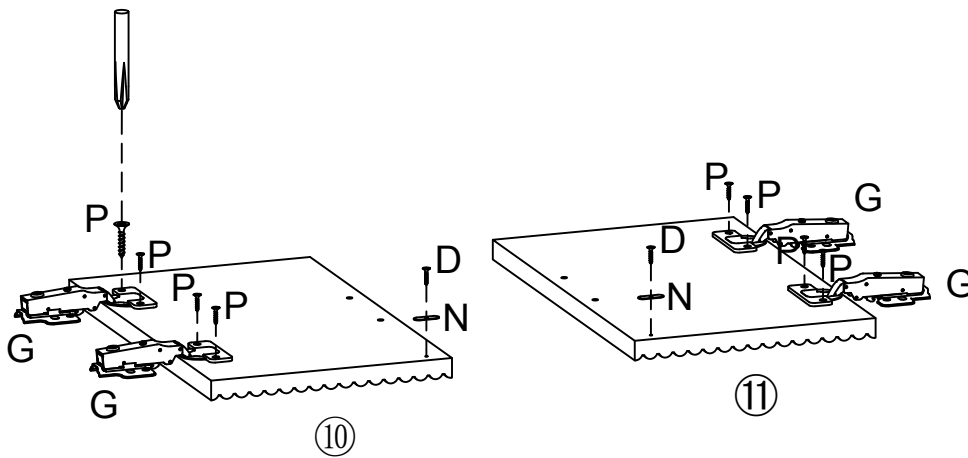
# Assembly Instructions

## STEP 13



L x4pcs

## STEP 14



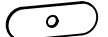
D x2pcs



P x8pcs



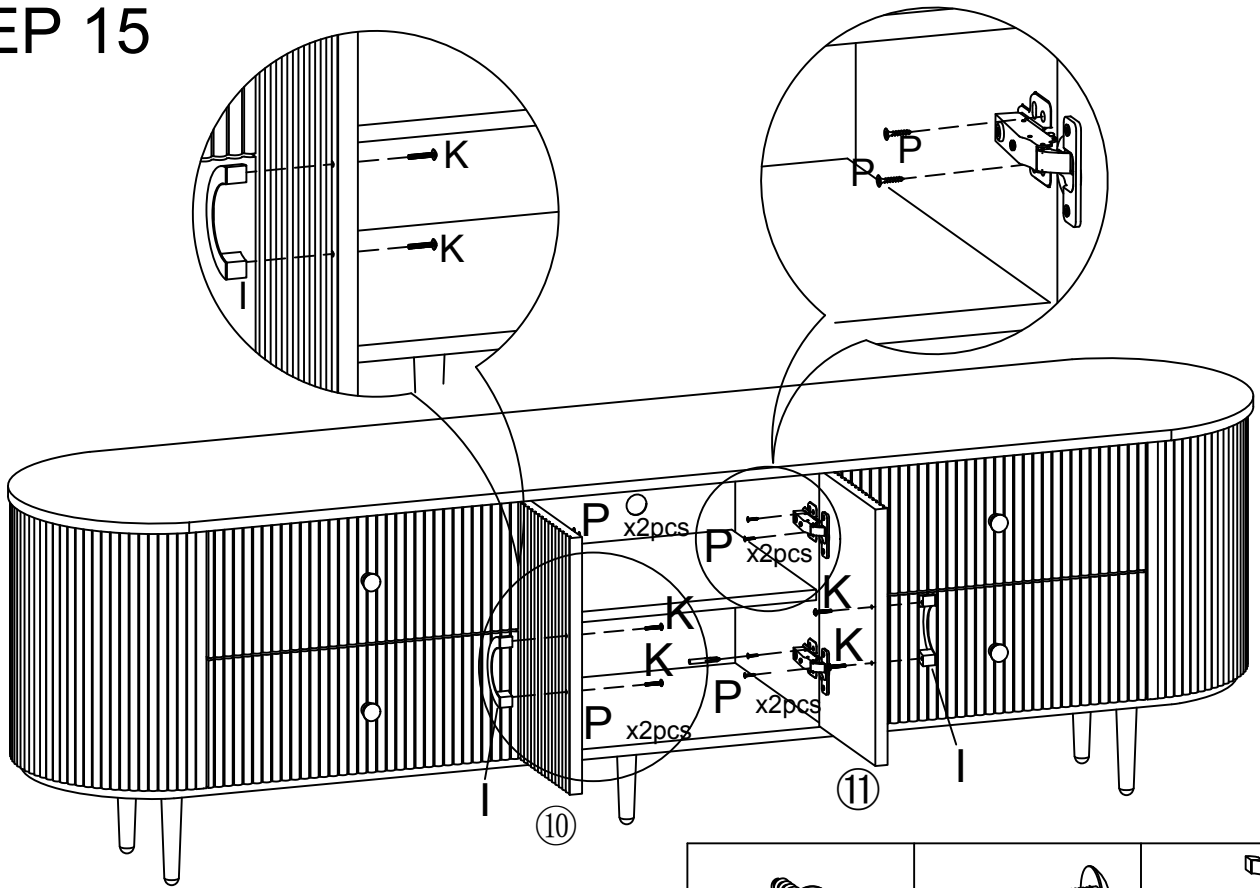
G x4pcs






N x2pcs

# Assembly Instructions

## STEP 15



|  |   |  |
|--|---|--|
|  |  |  |
| P x8pcs  | K x4pcs   | I x2pcs  |