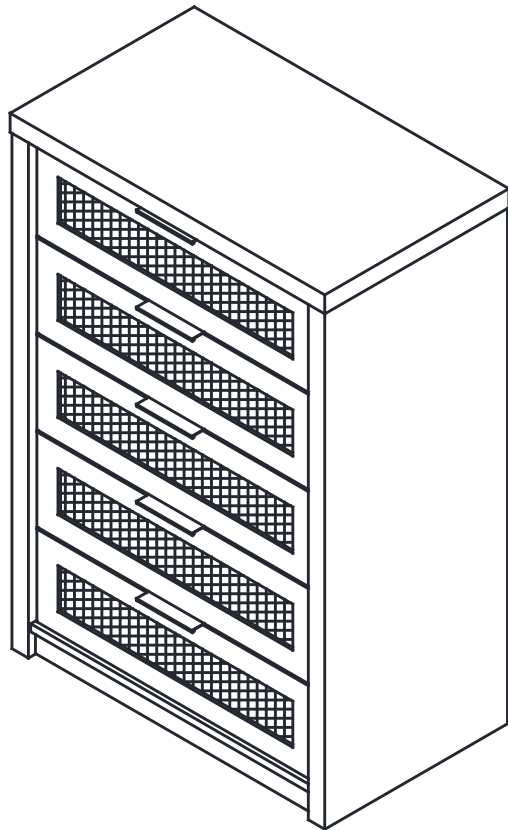
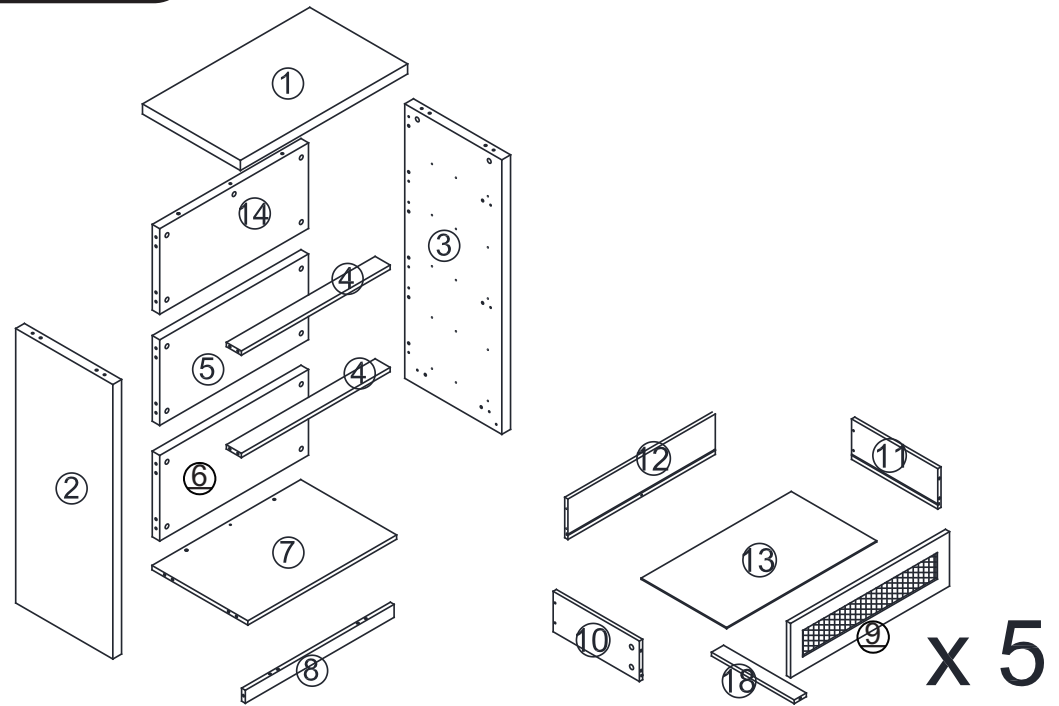


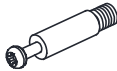




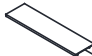

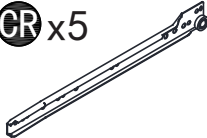
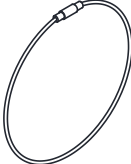





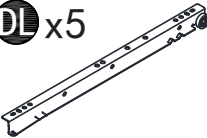

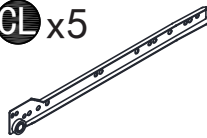
Installation & Assembly



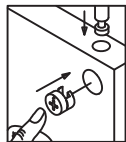
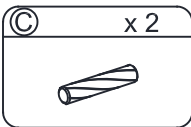
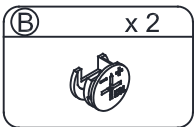
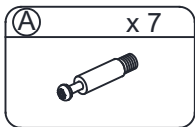
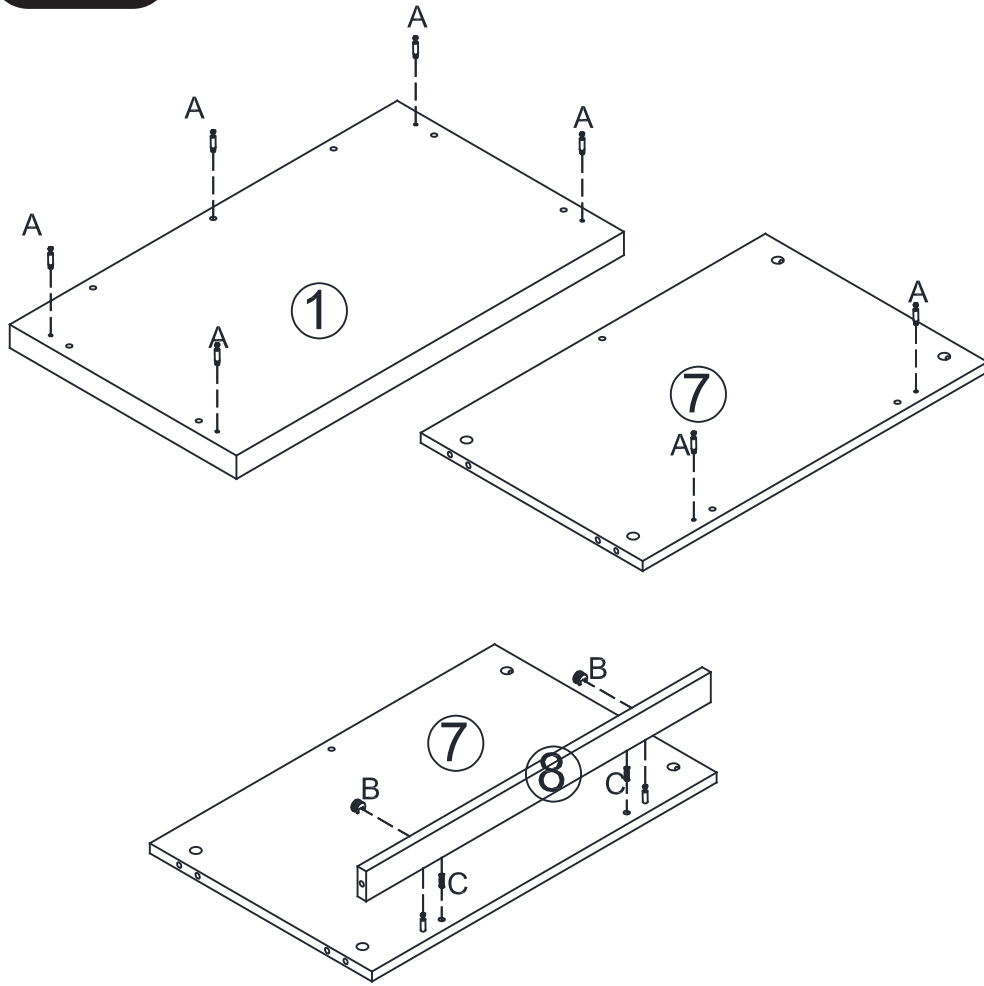
Parts list



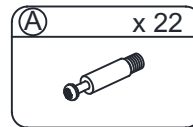
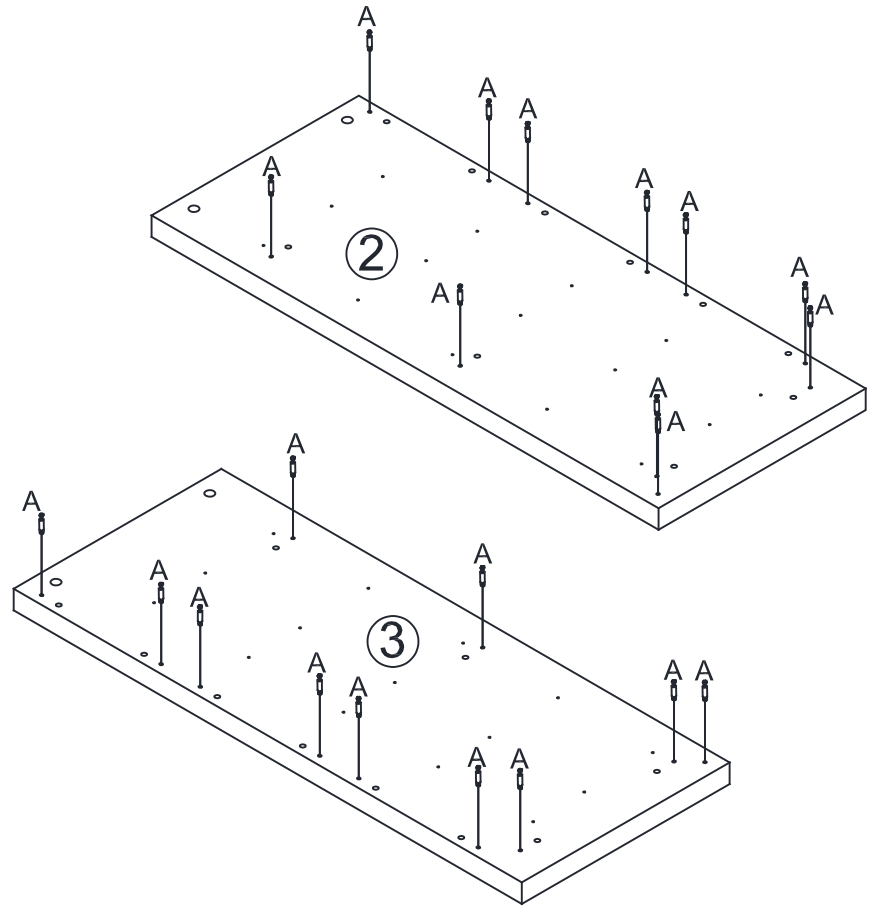
Hardware list

A x54 	B x54 	C x30 $\phi 8*30\text{MM}$ 	D x26 $\phi 4*35\text{MM}$ 	E x70 $\phi 3*12\text{MM}$ 
F x5 	G x54 	CR x5 	H x2      	
DL x5 	DR x5 	CL x5 		

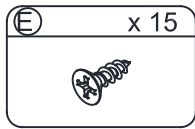
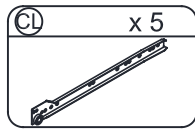
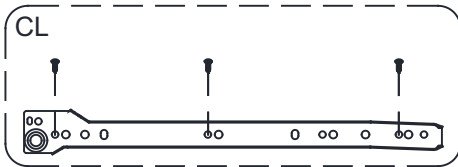
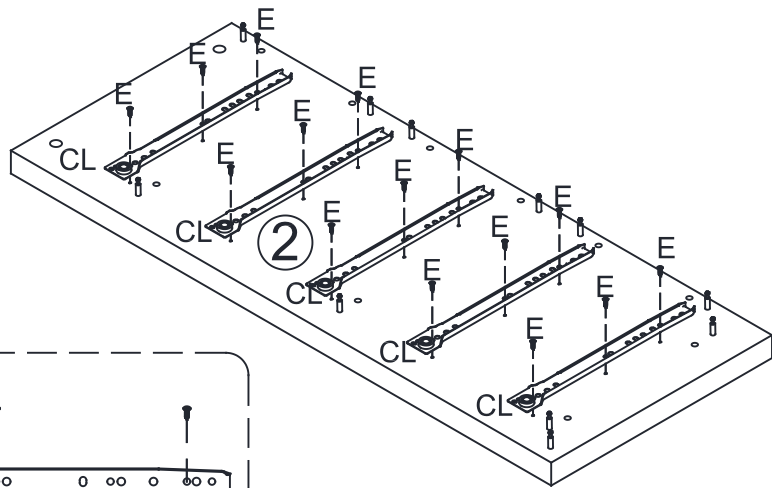
Step 1



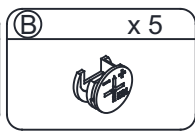
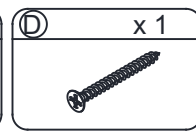
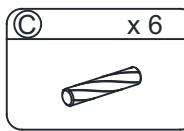
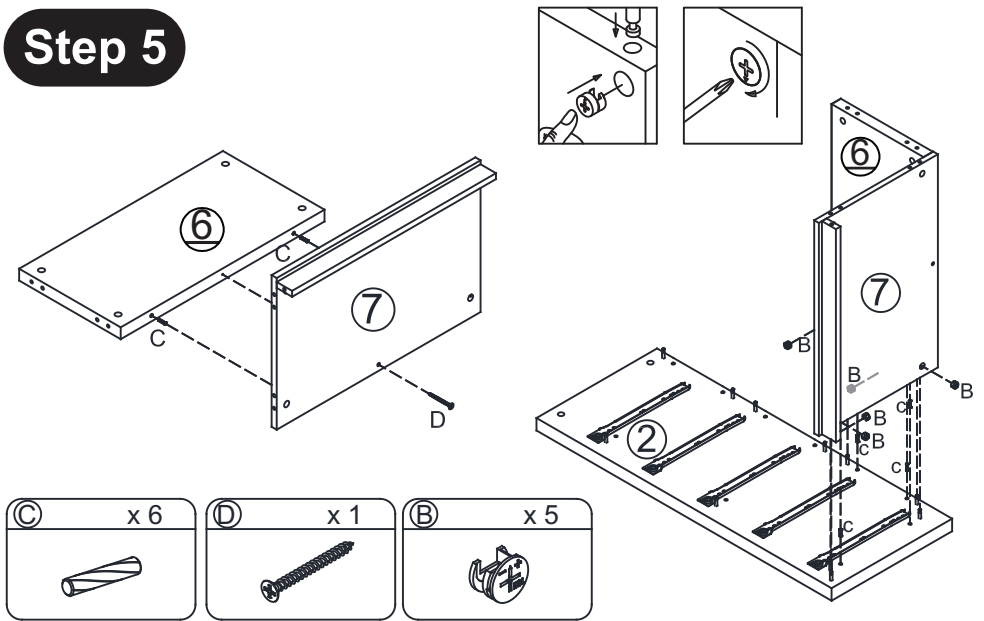
Step 2



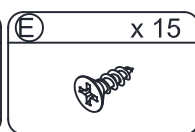
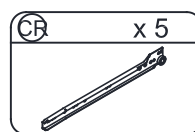
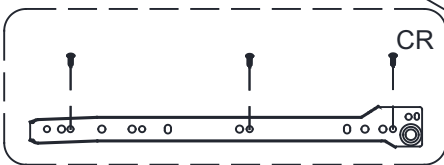
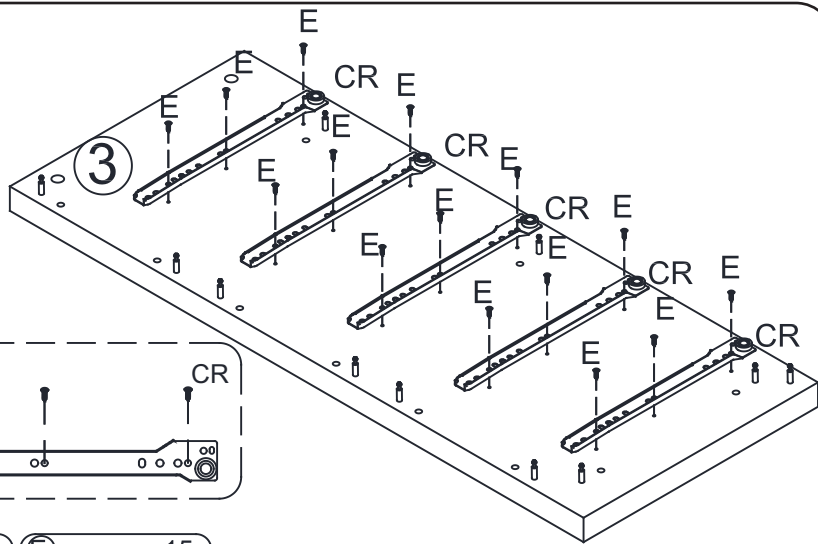
Step 3



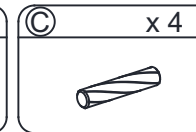
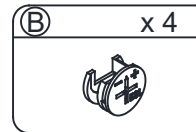
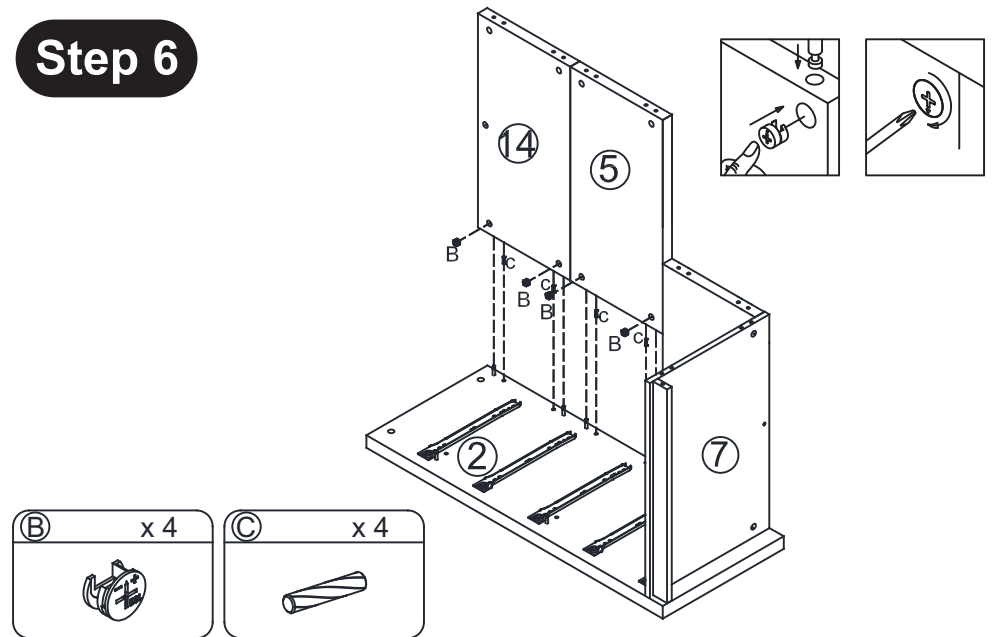
Step 5



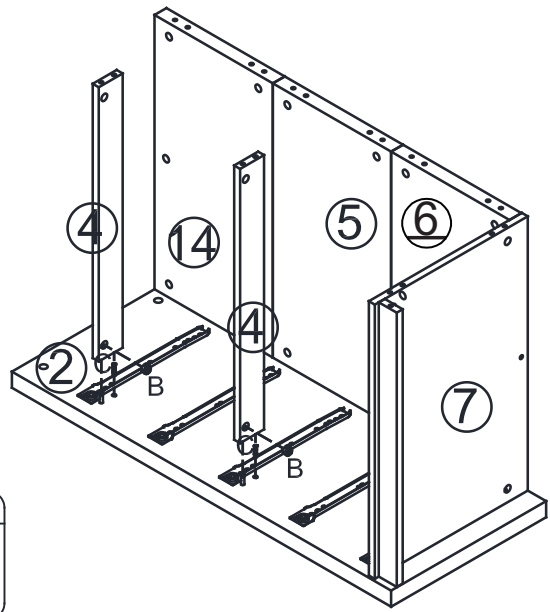
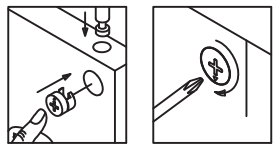
Step 4



Step 6

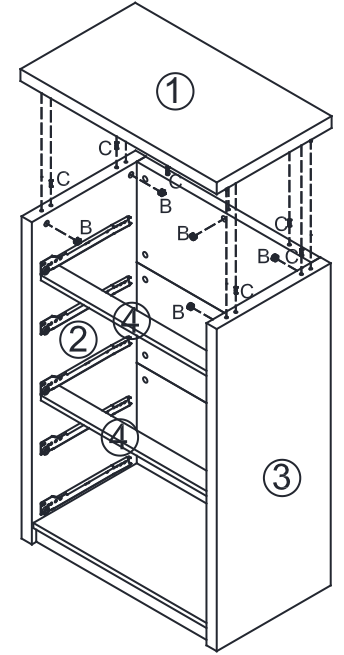
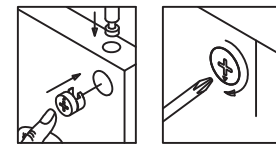


Step 7



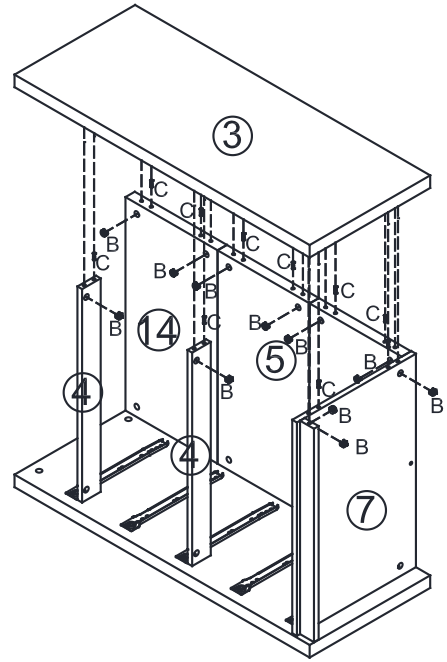
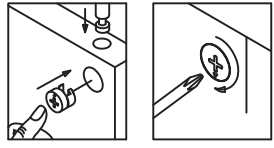
- (B) x 2
- (C) x 2

Step 9



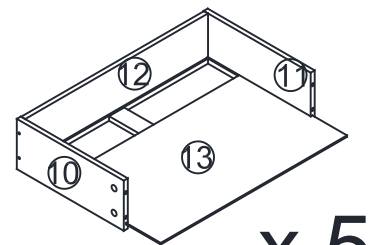
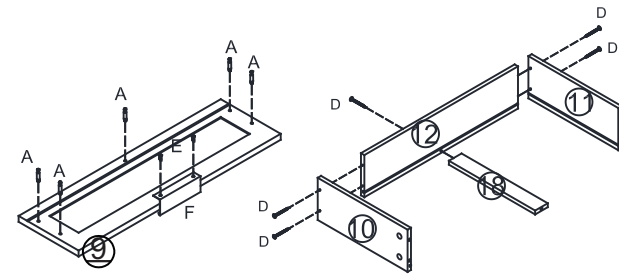
- (B) x 5
- (C) x 6

Step 8



- (B) x 11
- (C) x 10

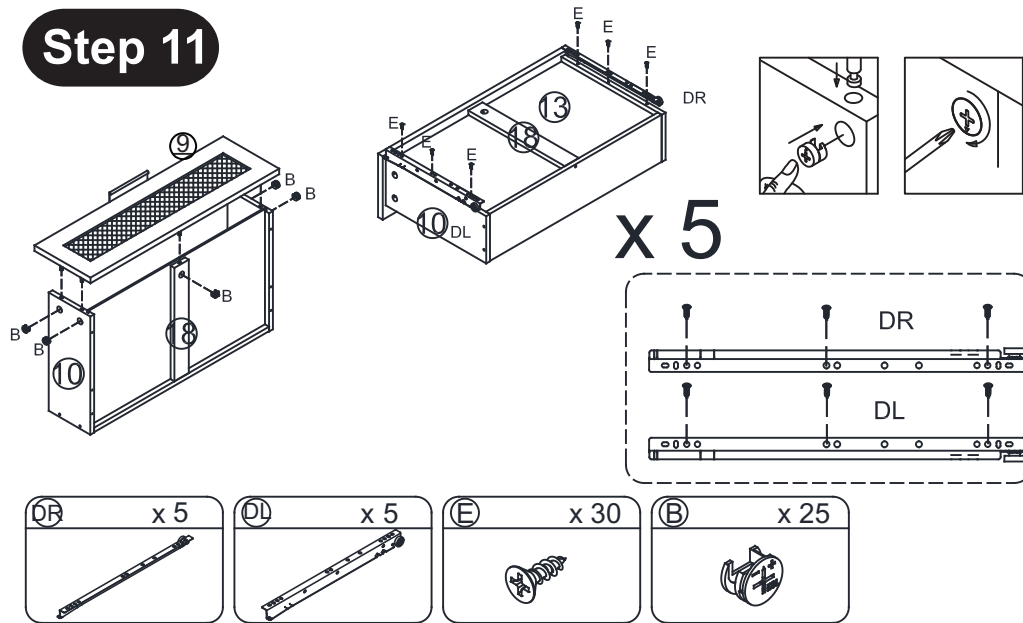
Step 10



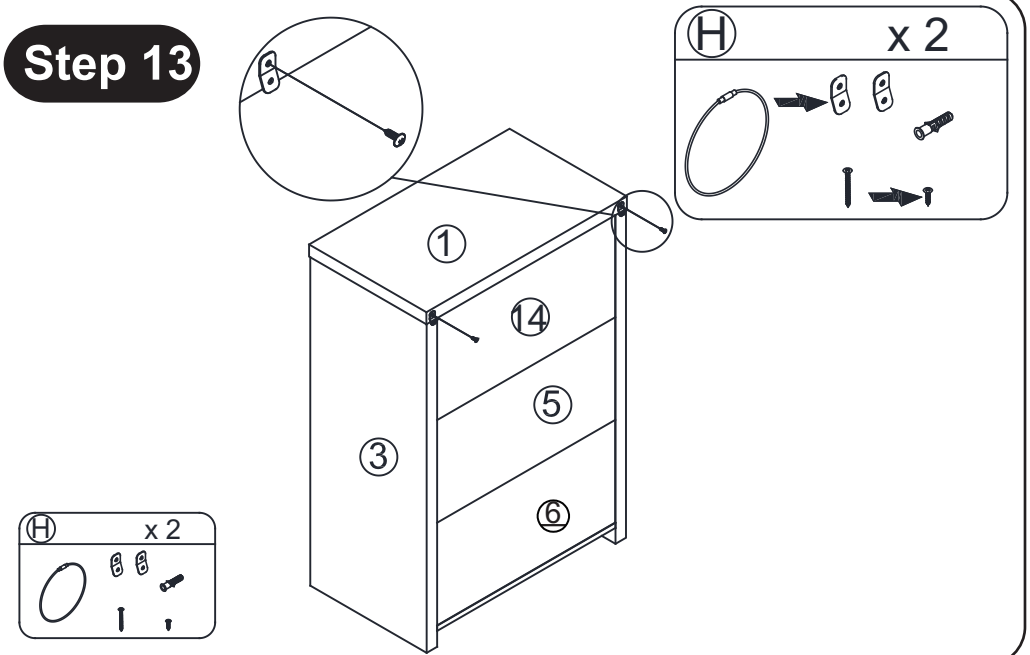
- (A) x 25
- (E) x 10
- (F) x 5
- (D) x 25

x 5

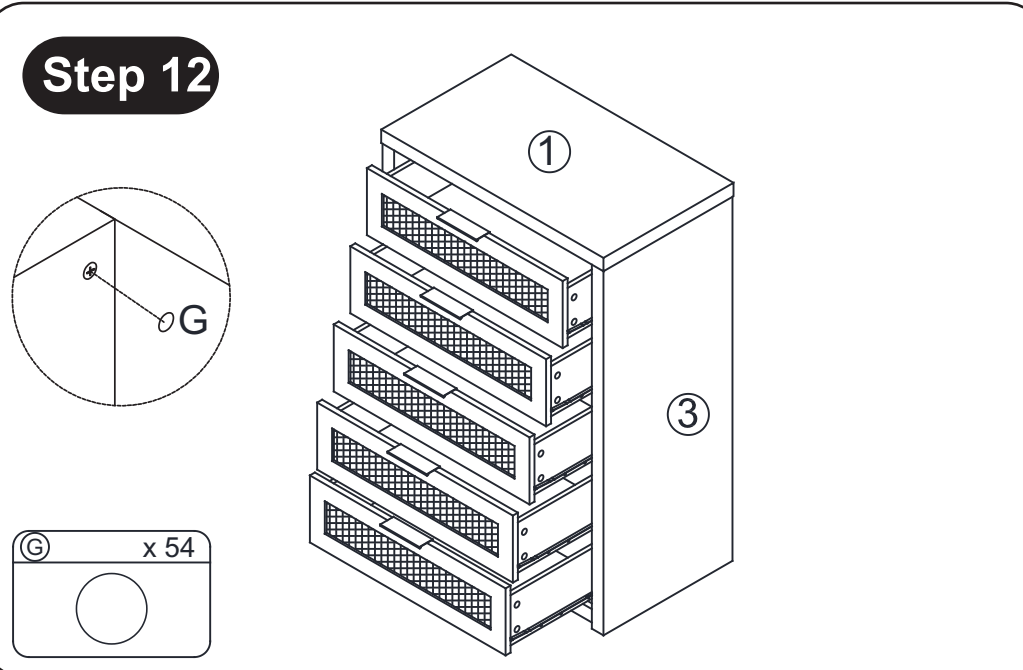
Step 11



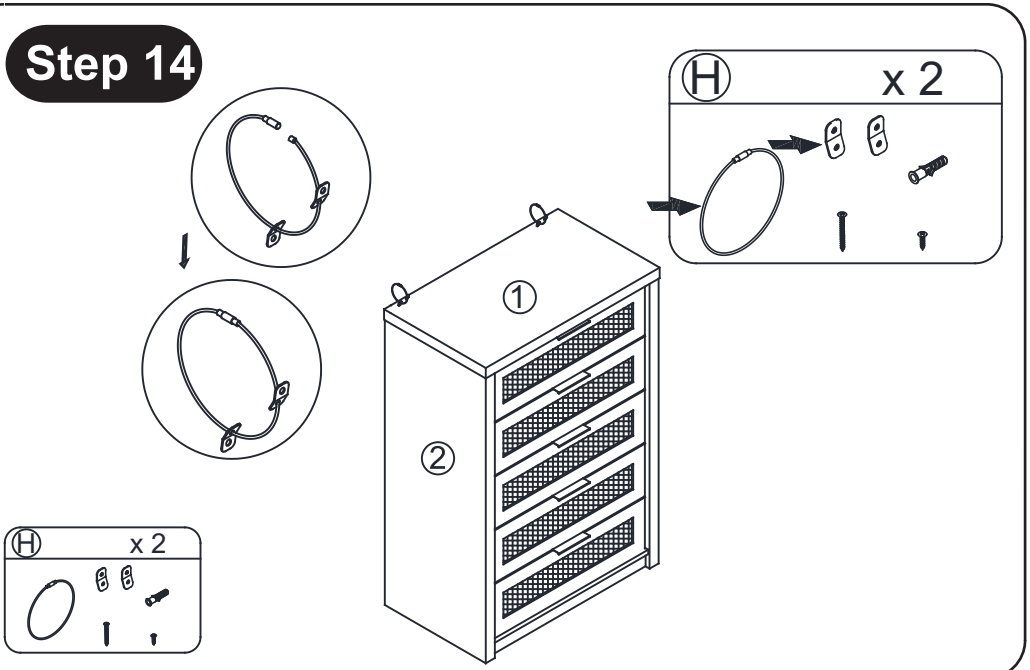
Step 13



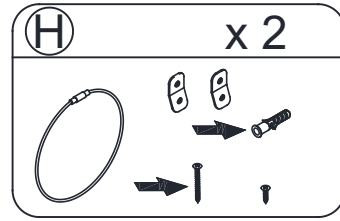
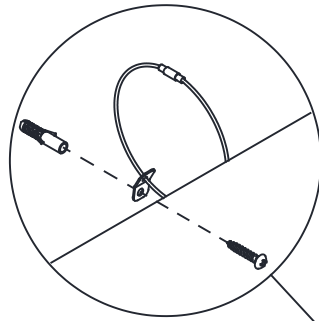
Step 12



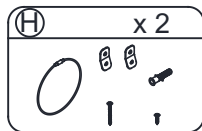
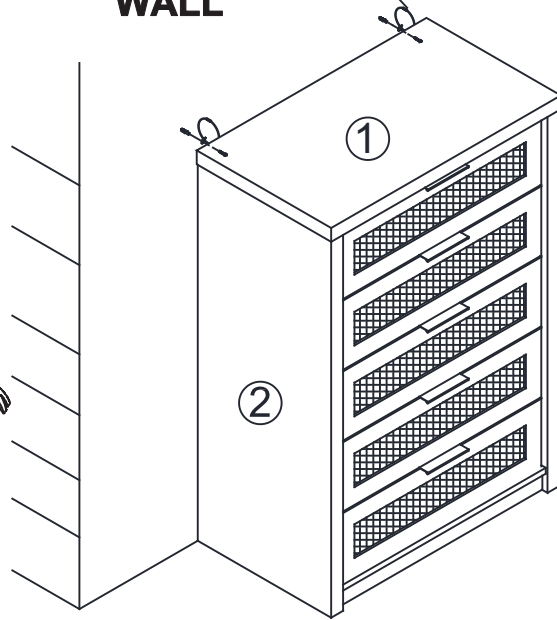
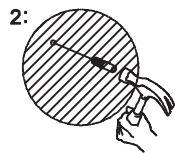
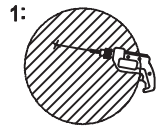
Step 14



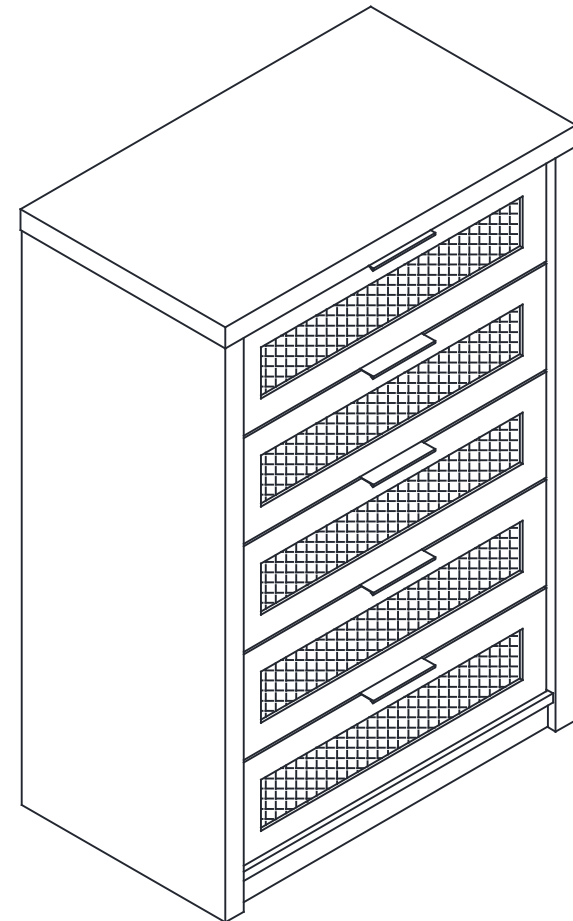
Step 14



WALL



Step 15





WARNING



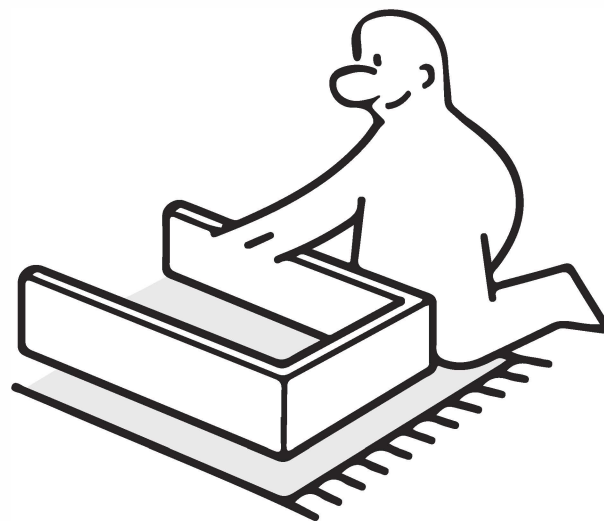
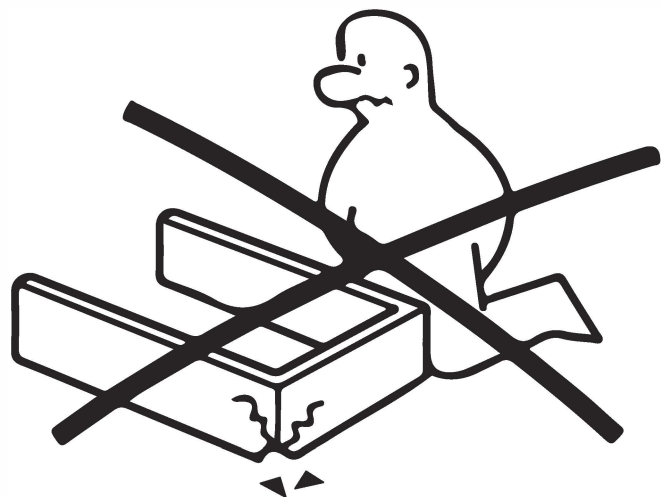
Children have died from furniture tipover. To reduce the risk of furniture tipover:

- **ALWAYS** install Anti-tip device provided.
- **NEVER** put a TV on this product.
- **NEVER** allow children to stand, climb or hang on drawers, doors, or shelves.
- **NEVER** open more than one drawer at a time.
- **Place heaviest items in the lowest drawers.**



*This is a permanent label.
Do not remove!*

※ **Stay Scratch-Free: Safeguard Your Furniture by Assembling on Carpet.**



※ **Stuck in Assembly Limbo? Contact Our Support Team for Quick Solutions!**

