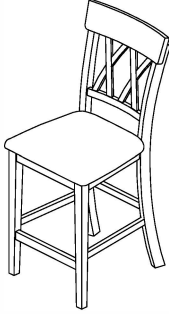


ASSEMBLY INSTRUCTIONS

COUNTER HEIGHT CHAIR

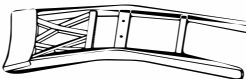
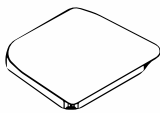
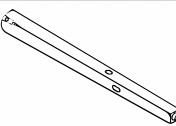
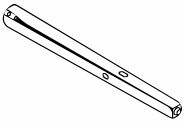
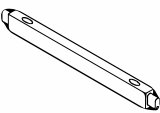
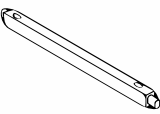
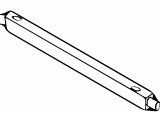


Thank you for purchasing this product. Please take time to read and follow the instructions below. Check that you have all parts and hardware before assemble. Parts apparently missing are often found in the paking materials. If you do not have all the parts listed, have your dealer contact us and they will be sent to you immediately.












It is recommended to install protective pads under all legs and supports to avoid damage or scratches when placing furniture on a wood floor or other hard surcafe, and to limit indentation and prevent discoloration if placing on carpet.

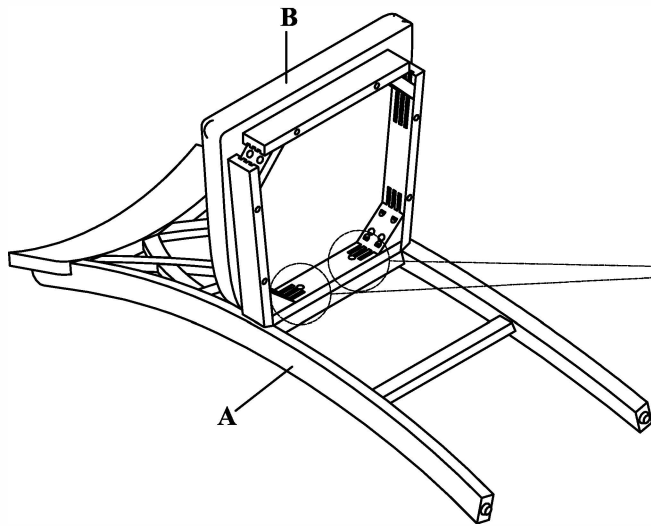
PART LIST

NO	Sketch	Description	Quantity
A		Chair Back	1PC
B		Seat Frame With Cushion	1PC
C		RSF Front Leg	1PC
D		LSF Front Leg	1PC
E		Front Stretcher	1PC
F		RSF Stretcher	1PC
G		LSF Stretcher	1PC

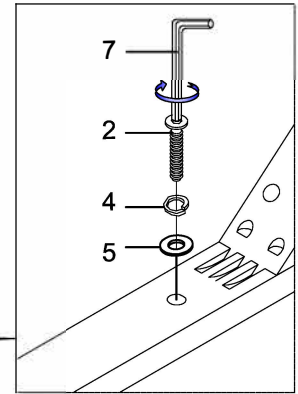
HARDWARE LIST

NO	Sketch	Description	Size	Quantity
1		Bolt	1/4" - 20 x 3"	4PCS
2		Bolt	1/4" - 20 x 1- 9/16"	2PCS
3		Nut	5/16"	4PCS
4		Lock Washer	5/16" x 21/64" x 15/32" x 1/16"	10PCS
5		Flat Washer	5/16" x 21/64" x 3/4" x 5/64"	10PCS
6		Screw	1/8" x 1-1/2"	6PCS
7		Allen Key	1/16"	1PC
8		Allen Wrench	1/2"	1PC
		Screwdriver	Not Provided	

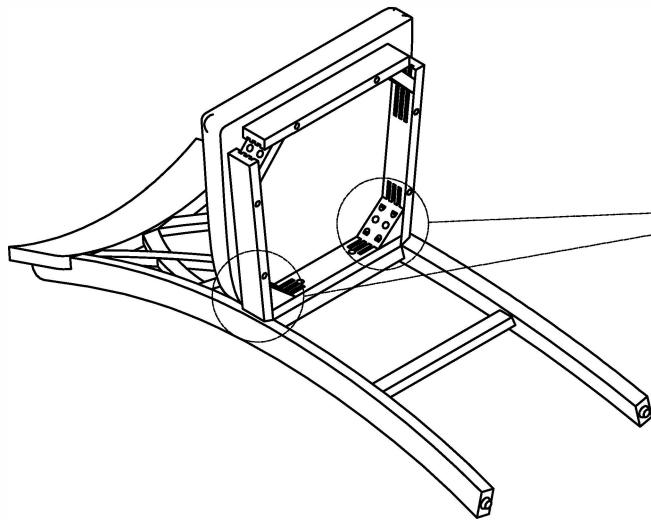
** ABOVE HARDWARE ARE PACKED IN #5716RFAK-24S2 BAG FOR ASSEMBLY



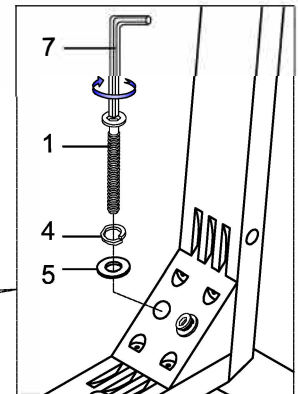
STEP 1



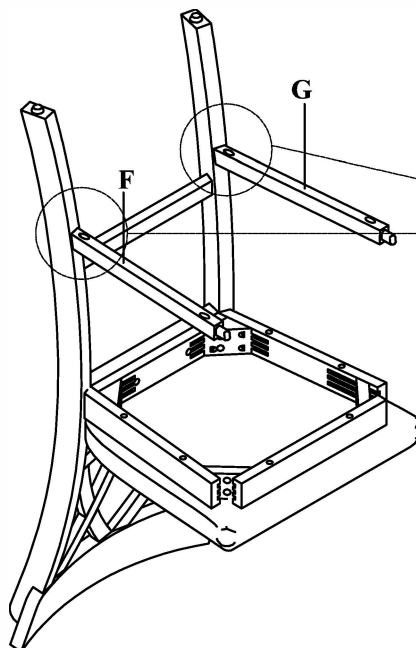
X2



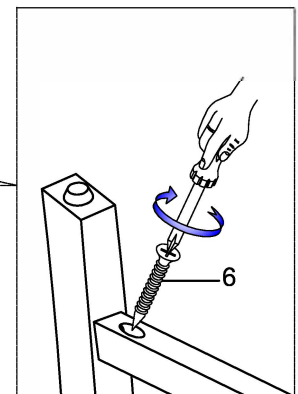
STEP 2



X2



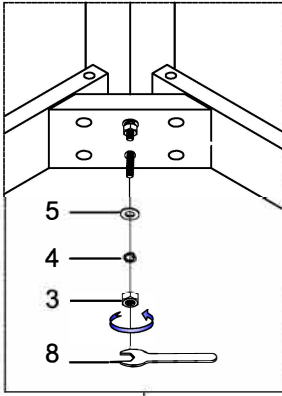
STEP 3



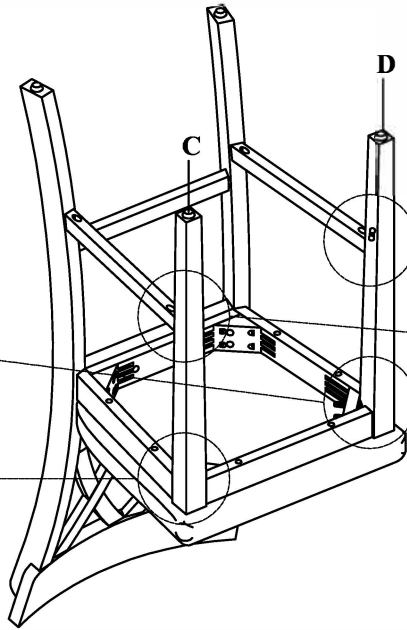
X2

Do not tighten these screws & bolts until Step 5 is completed

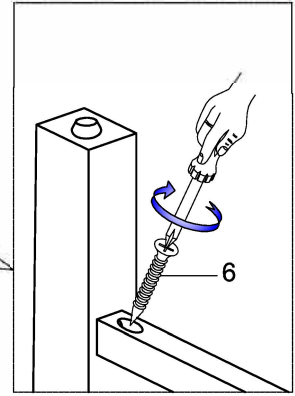
STEP 4.1



X2

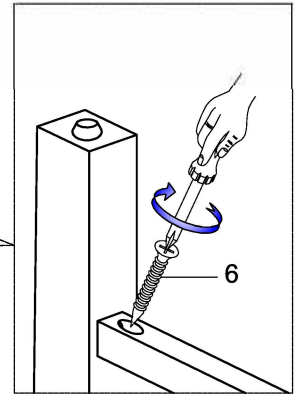


STEP 4.2

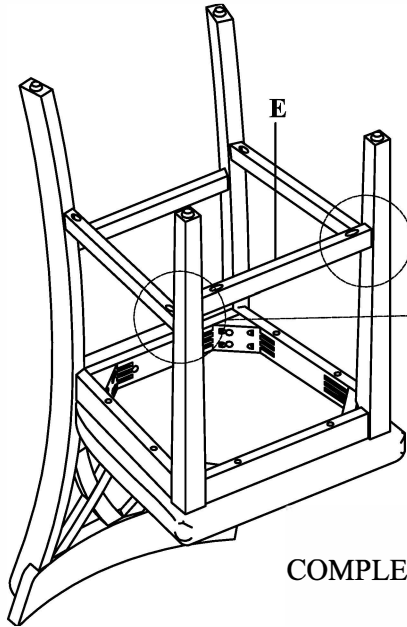


X2

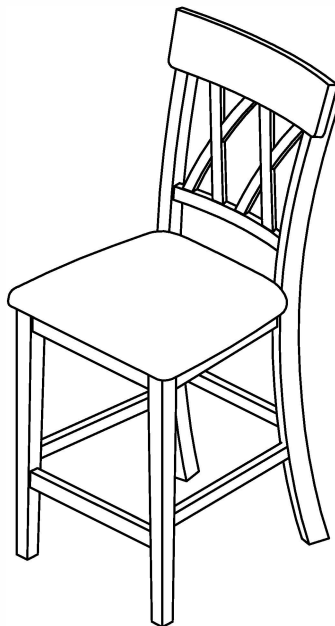
STEP 5



X2



COMPLETELY TIGHT ALL SCREWS & BOLT



COMPLETED