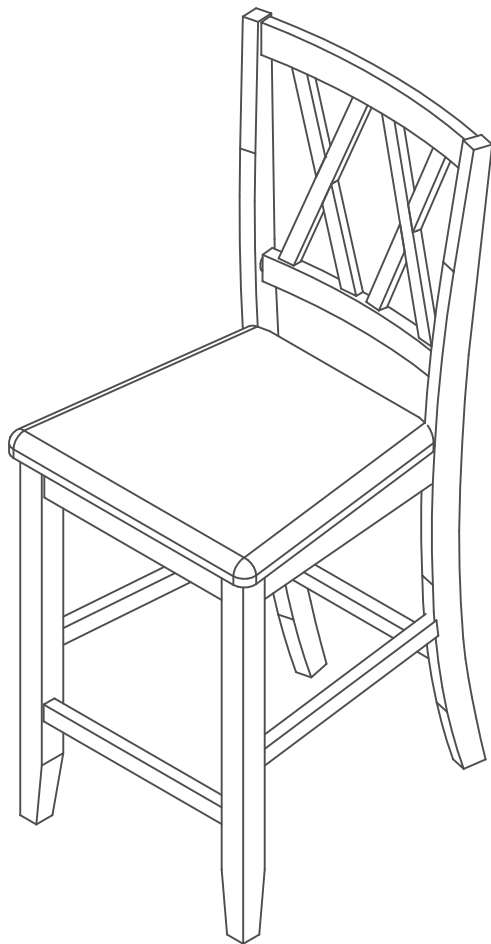


# ASSEMBLY INSTRUCTIONS



THIS INSTRUCTION BOOKLET CONTAINS IMPORTANT INFORMATION.  
PLEASE READ AND KEEP IT FOR FUTURE REFERENCE.

# THANK YOU FOR PURCHASING OUR PRODUCTS!

This furniture is designed for indoor application. Please read this booklet carefully and use all the items correctly as described. And please kindly note that the warranty does not apply to any product that has been improperly used.

After unboxing and before assembly, please check whether there are any parts damaged. If yes, please contact our customer service team  
Meanwhile, please check whether you have all the parts and hardware listed. If there is any missing item, also please contact us immediately.

## Before Assembly

- Remove all wrapping materials, staples and packing straps.
- Read the Parts List and Hardware List carefully, make sure all parts and hardware are intact.
- Place all parts on a clean and smooth surface, such as a rug or carpet, to prevent the parts from being scratched.
- Do not cross-thread screws.
- Do not use electric tools.



Make sure all bolts and screws are fully tightened before using chair.

## Components



A: 1 PCx2



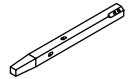
B: 1 PCx2



C: 1 PCx2



D: 2 PC5x2



E: 2 PC5x2



F: 1 PC



M6×80 mm

G: 4 PC5x2



M6×60 mm

H: 4 PC5x2



M6×30 mm

I: 2 PC5x2



J: 8 PC5x2



K: 10 PC5x2



M4×38 mm

L: 6 PC5x2











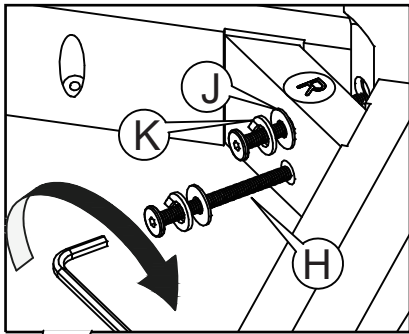
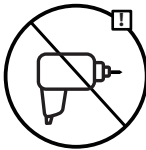
M: 4 PC5x2



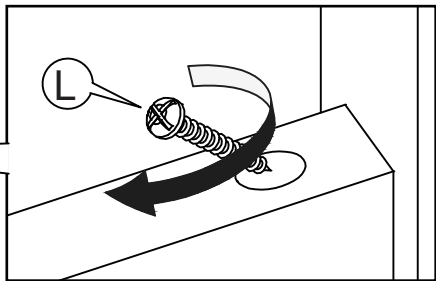
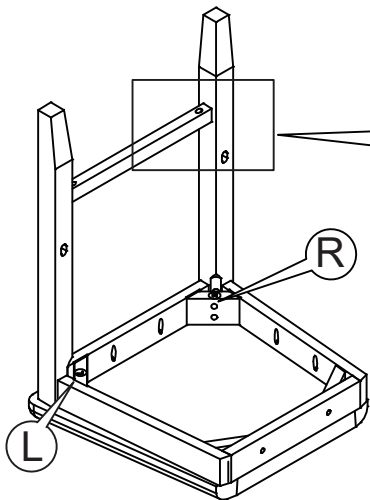
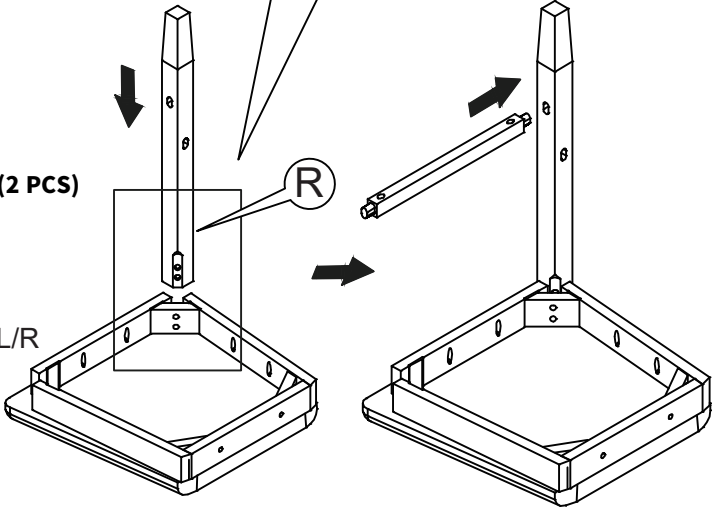
N: 1PC (Not Provided)

# 1

- B**  (1 PC)
- C**  (1 PC)
- E**  (2 PCS)
- F**  (1 PC)
- H**  M6×60 mm (4 PCS)
- J**  (4 PCS)
- K**  (4 PCS)
- L**  M4×38 mm (2 PCS)



Assemble FRONT LEG L/R to SEAT as illustration shown, screws until tight.



Insert screws and assemble as shown on drawing. Do not tighten screws until fully assemble.

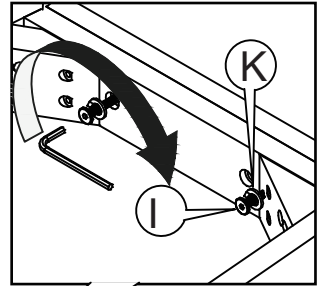
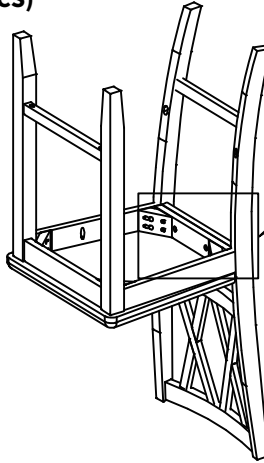
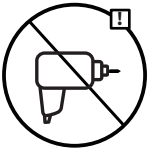
2

**A**  (1 PC)

**F**  (1 PC)

**I**  M6×30 mm (2 PCS)

**K**  (2 PCS)



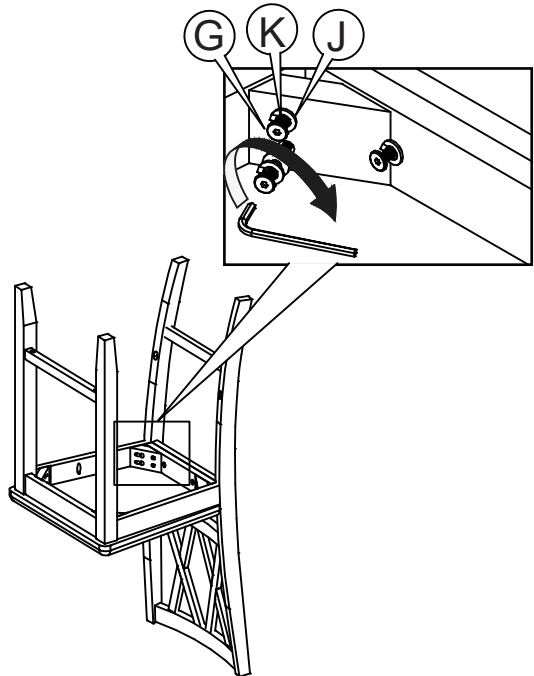
3

**F**  (1 PC)

**G**  M6×80 mm (4 PCS)

**J**  (4 PCS)

**K**  (4 PCS)

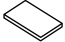


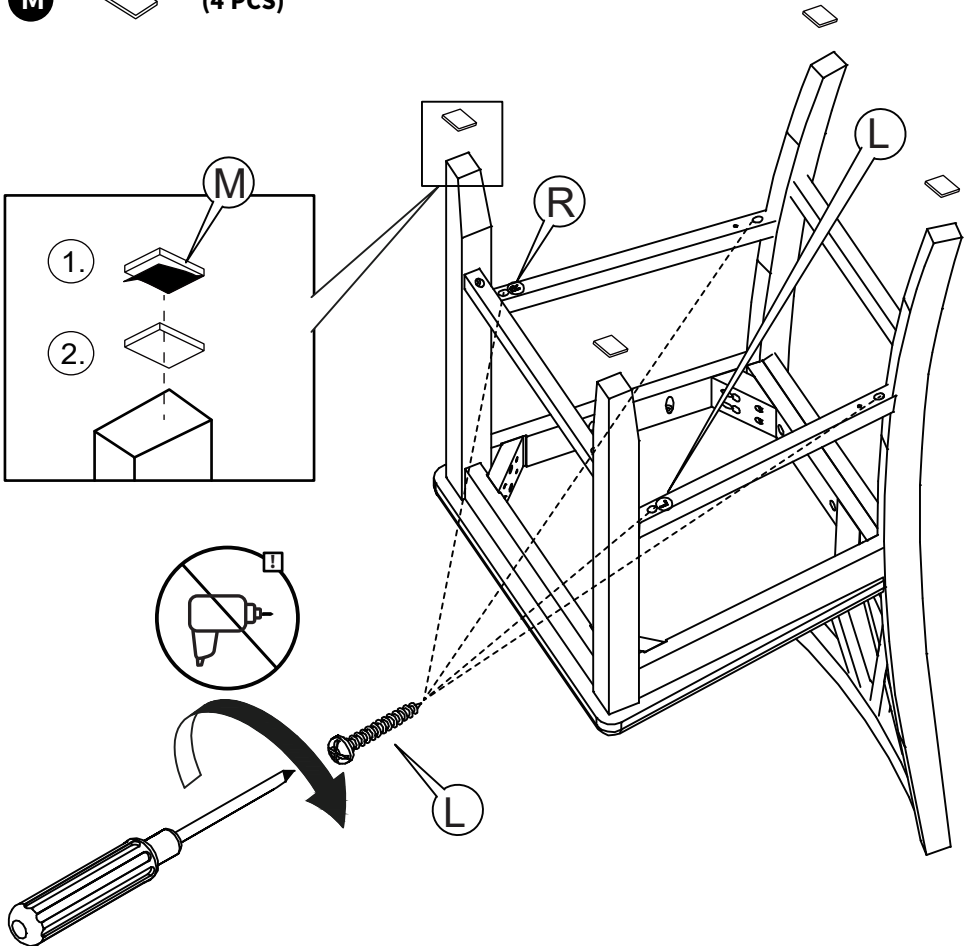
Insert screws and assemble as shown on drawing. Do not tighten screws/bolts until fully assemble.

# 4

**D**  (2 PCS)

**L**  M4×38 mm (4 PCS)

**M**  (4 PCS)



Assemble STRETCHER L/R to seat as illustration shown. To ensure chair level, assemble the chair on flat & soft surface. Tighten all screws & bolts using Allen Key while making sure that the unit remain level. Paste the M under the leg as shown on drawing.