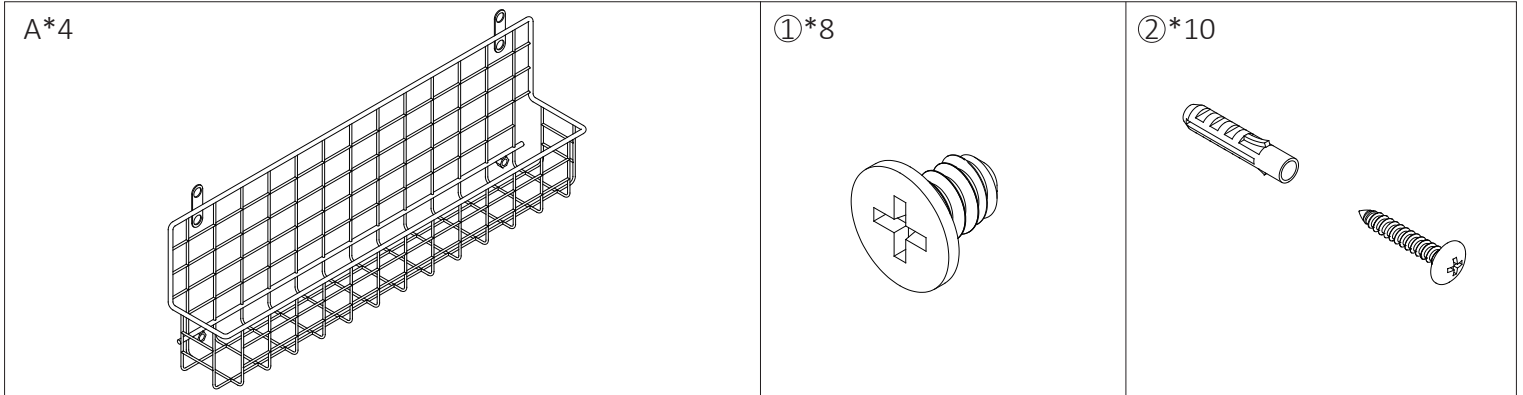


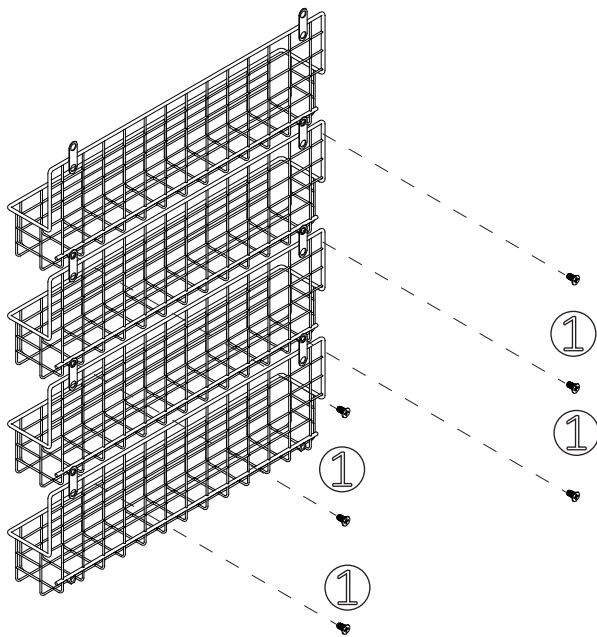
Installation Instructions

Accessories include

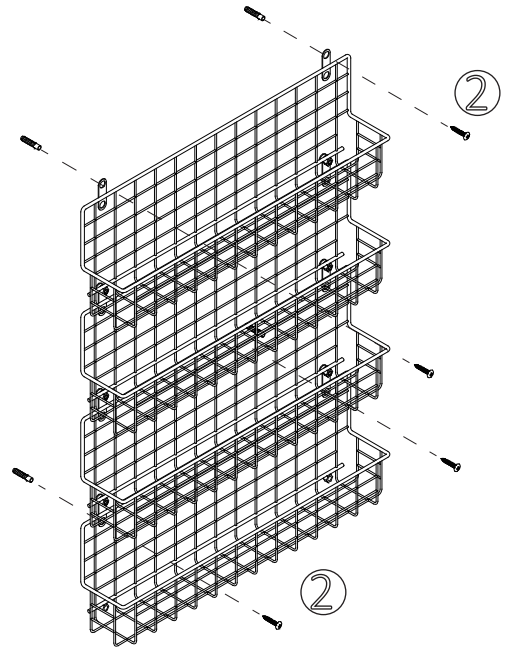


Installation steps

1. Use screw ① to connect the four racks.



2. Use screw ② to fix the rack to the wall.



Second way to use:
Each rack can also be individually nailed to the wall for use.
Can be connected freely.

