

# ASSEMBLY INSTRUCTION

Thank you for purchasing this quality product. Be sure to check all packing material carefully for small parts which may have come loose inside the carton during shipment. Separate, identify and count all parts and hardware. Compare with the parts list to be sure all parts are present.

**IMPORTANT : PLEASE READ INSTRUCTION BEFORE STARTING THE ASSEMBLY.**

**"DO NOT TIGHTEN SCREWS UNTIL COMPLETELY ASSEMBLED"**

**"DO NOT OVERTIGHT ANY HARDWARE"**

**WARNING : SMALL PARTS AND HARDWARE NOT FOR CHILDREN UNDER 3 YEARS. ADULT ASSEMBLY REQUIRED.**

## TABLE OF CONTENTS

HARDWARES LIST	PAGE 2
PARTS LIST	PAGE 3 - 4
PARTS' LOCATION	PAGE 5
ASSEMBLY STEPS	PAGE 6 - 8
ASSEMBLY COMPLETED	PAGE 9

## ASSEMBLY TOOLS REQUIRED

### 1. Screwdriver (not provide)



### 2. Hammer (not provide)

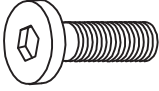
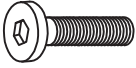
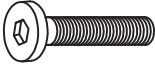
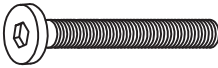








Skip the power trip this time.



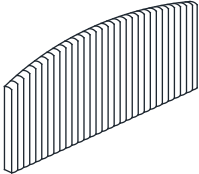


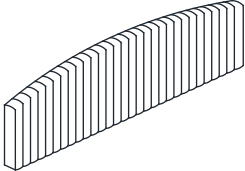
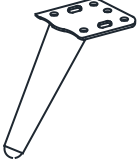
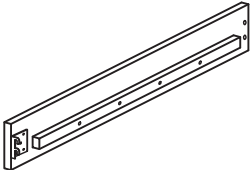
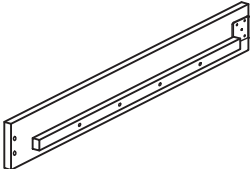

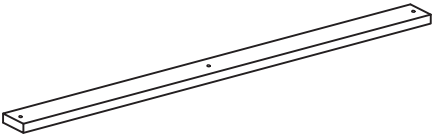
# ASSEMBLY INSTRUCTION

## HARDWARES LIST

ITEM	DESCRIPTION	DRAWING	QTY
A	JCBC SCREW M8 x 20MM		8 PCS
B	JCBC SCREW M6 x 15MM		6 PCS
C	JCBC SCREW M6 x 35MM		12 PCS
D	JCBC SCREW M6 x 40MM		6 PCS
E	SPRING WASHER M6 x 12MM		14 PCS
F	FLAT WASHER M6 x 19MM		14 PCS
G	CSK C/B SCREW (M4 x 32MM)		8 PCS
H	M4 ALLEN KEY (100MM)		1 PC
I	M5 ALLEN KEY (65MM)		1 PC
J	SUPPORT LEG ADJUSTABLE FEET		4 PCS

# ASSEMBLY INSTRUCTION

## PARTS LIST

ITEM	DESCRIPTION	DRAWING	QTY
1	HEADBOARD		1 PC
2	HEADBOARD LEG WITH LABEL "L"		1 PC
3	HEADBOARD LEG WITH LABEL "R"		1 PC
4	FOOTBOARD		1 PC
5	FOOTBOARD LEG		2 PCS
6	SIDE RAIL (L)		2 PCS
7	SIDE RAIL (R)		2 PCS
8	SIDE RAIL LEG		2 PCS
9	SLAT		4 PCS

MORE PARTS DETAIL IN NEXT PAGE...

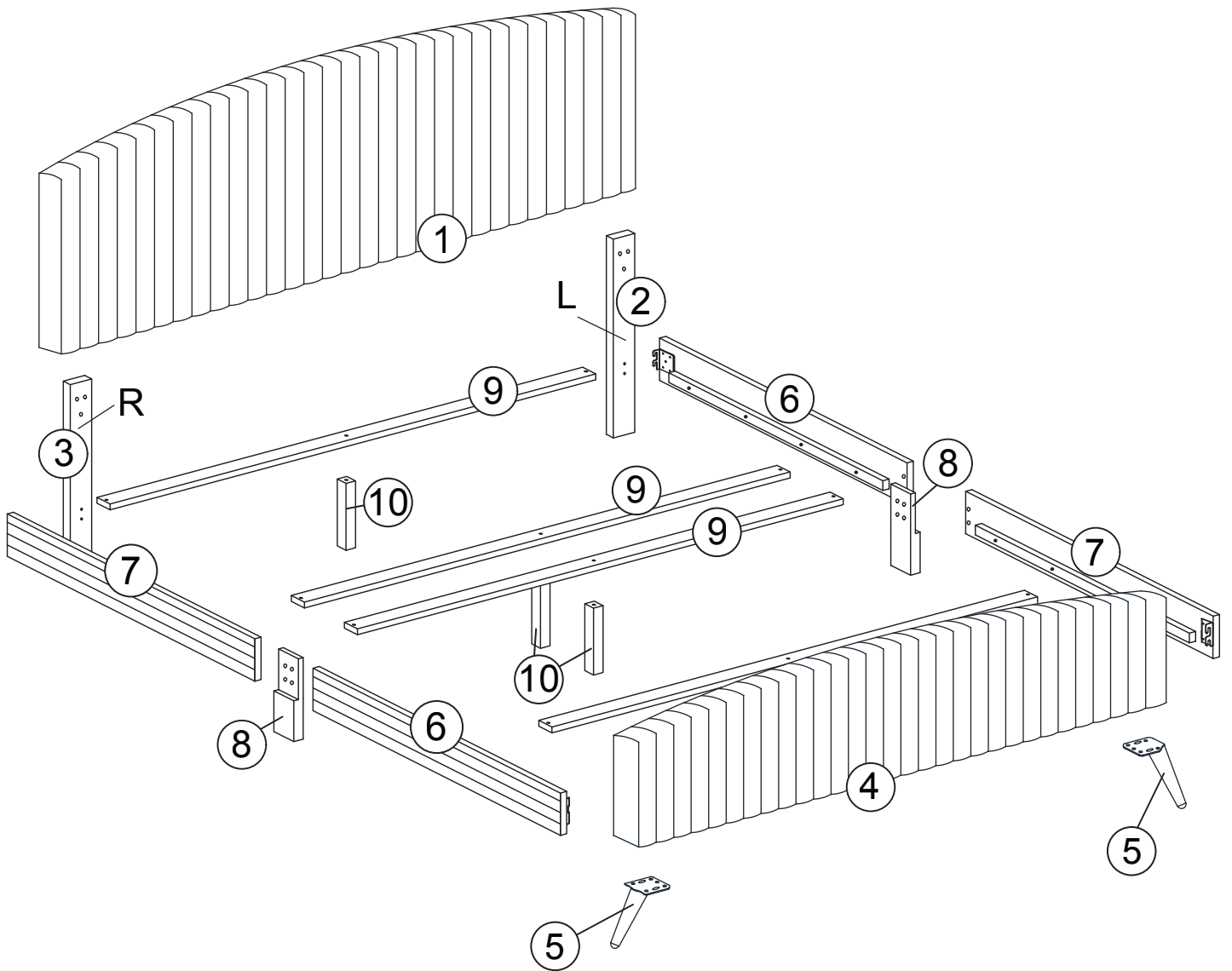
# ASSEMBLY INSTRUCTION

## PARTS LIST

ITEM	DESCRIPTION	DRAWING	QTY
10	SUPPORT LEG		4 PCS

# ASSEMBLY INSTRUCTION

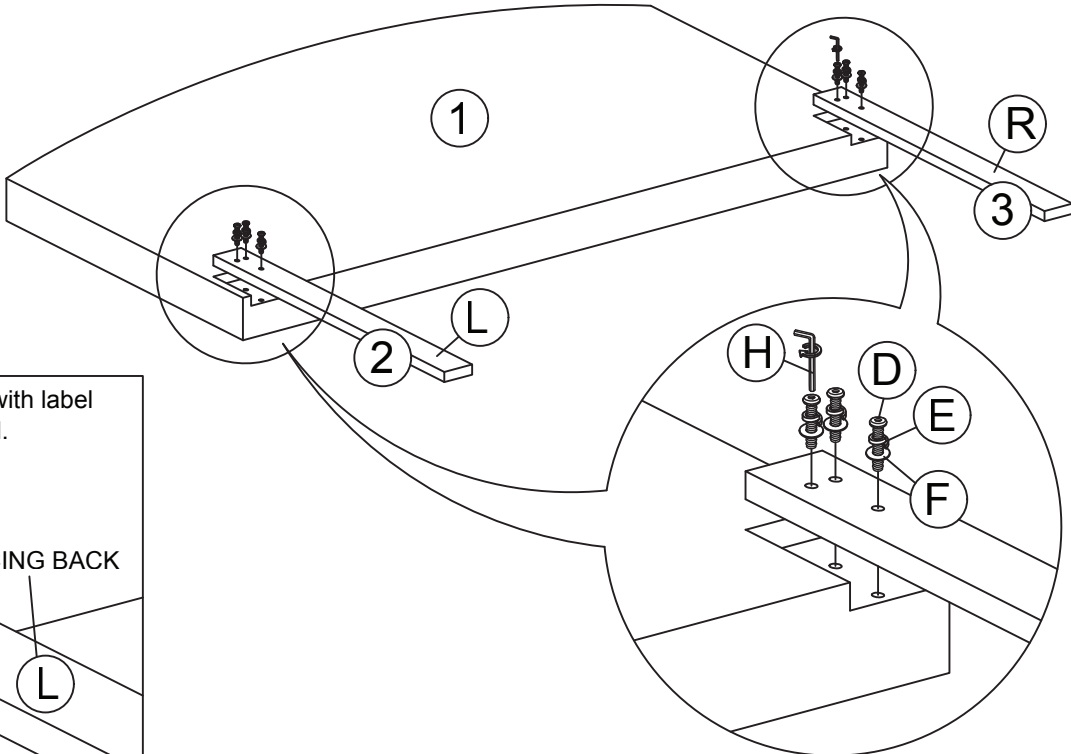
## PARTS ' LOCATION



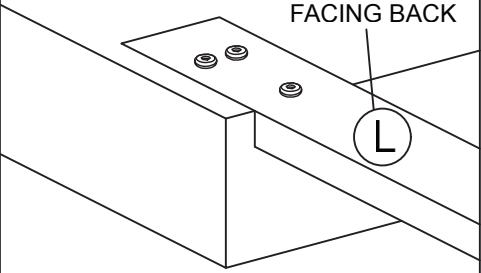
# ASSEMBLY INSTRUCTION

## STEP 1

Insert 6pcs (D) , (E) and (F) to combine (2) and (3) to the (1) as shown.

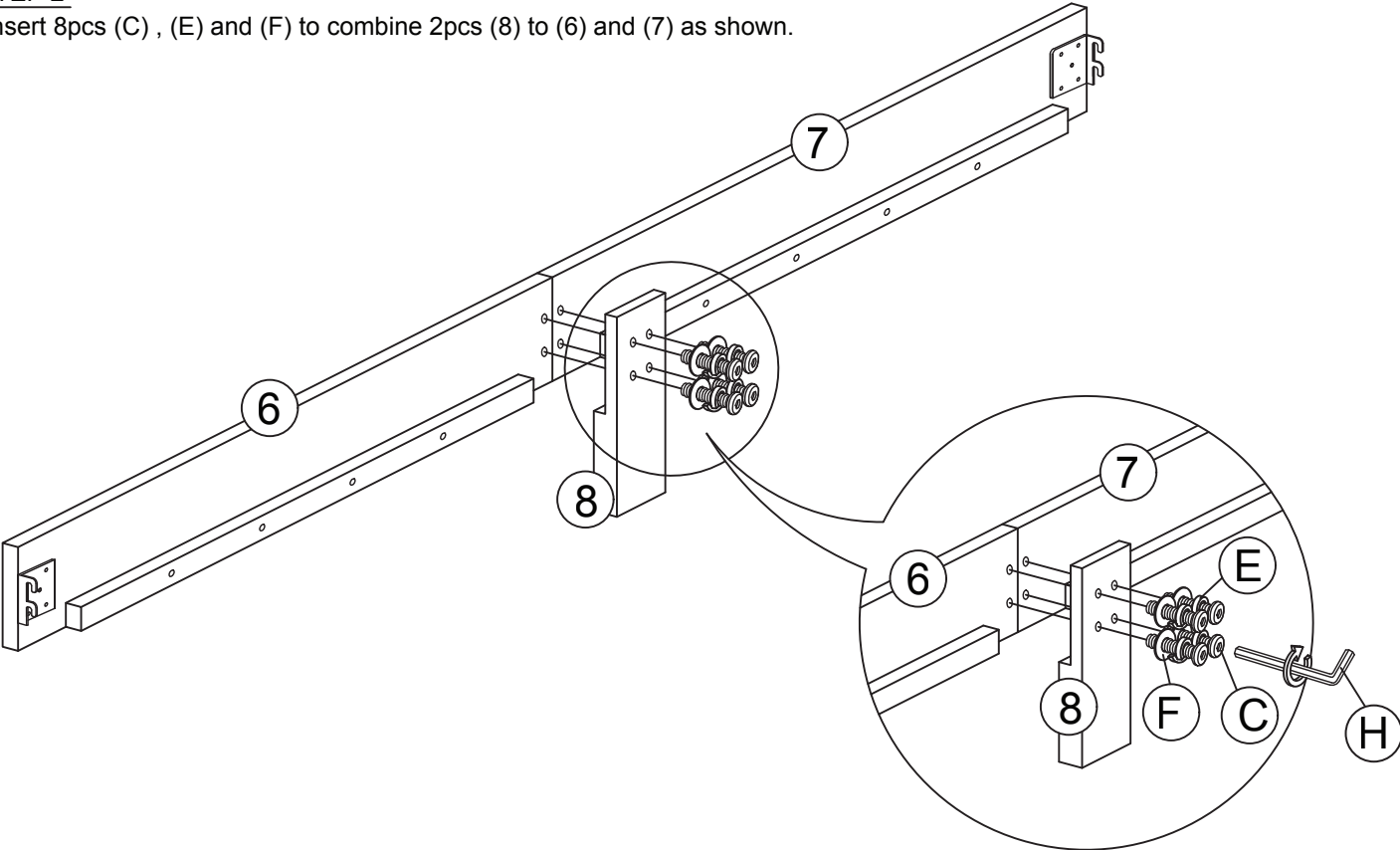


REMARK : Headboard leg with label facing backward.



## STEP 2

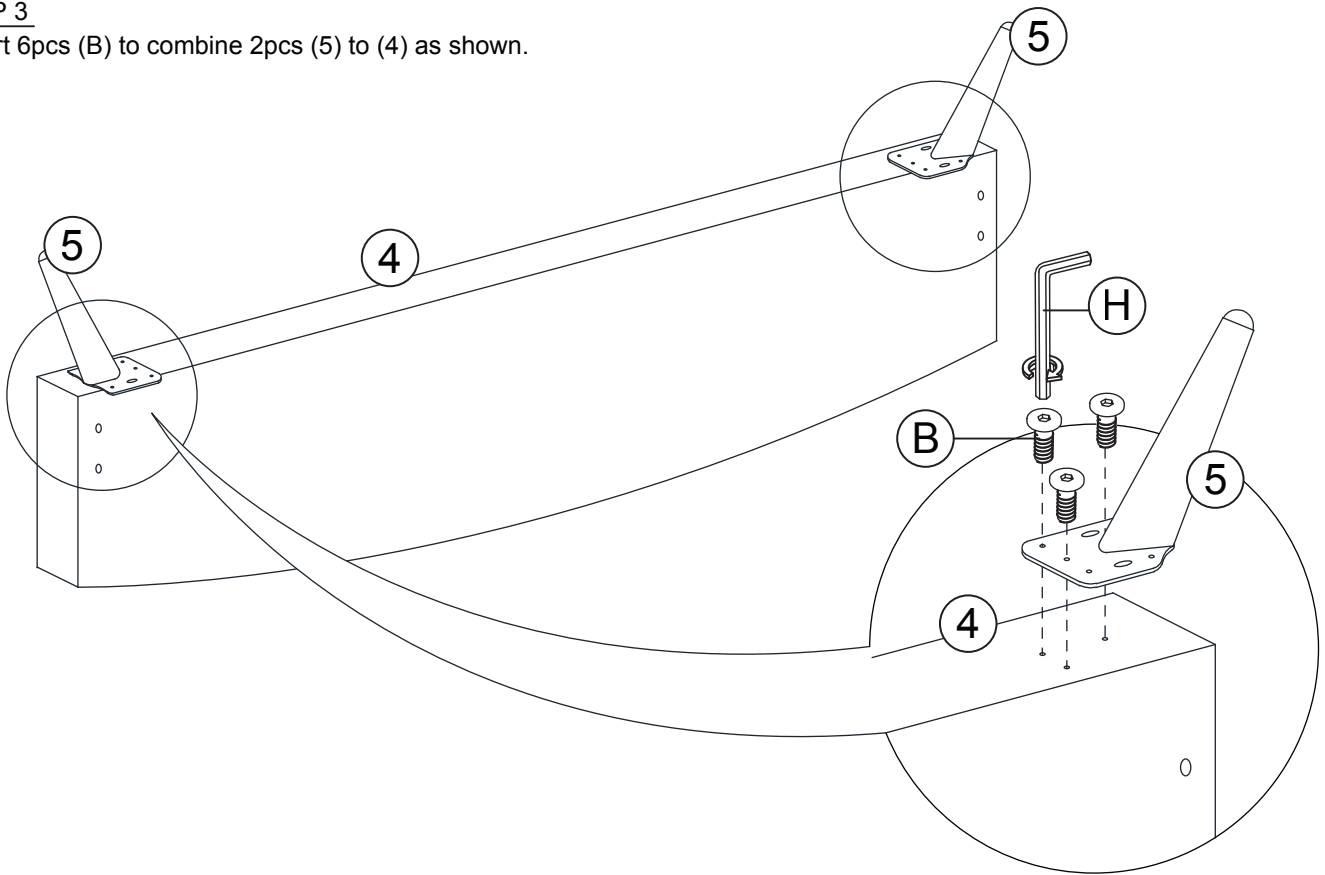
Insert 8pcs (C) , (E) and (F) to combine 2pcs (8) to (6) and (7) as shown.



# ASSEMBLY INSTRUCTION

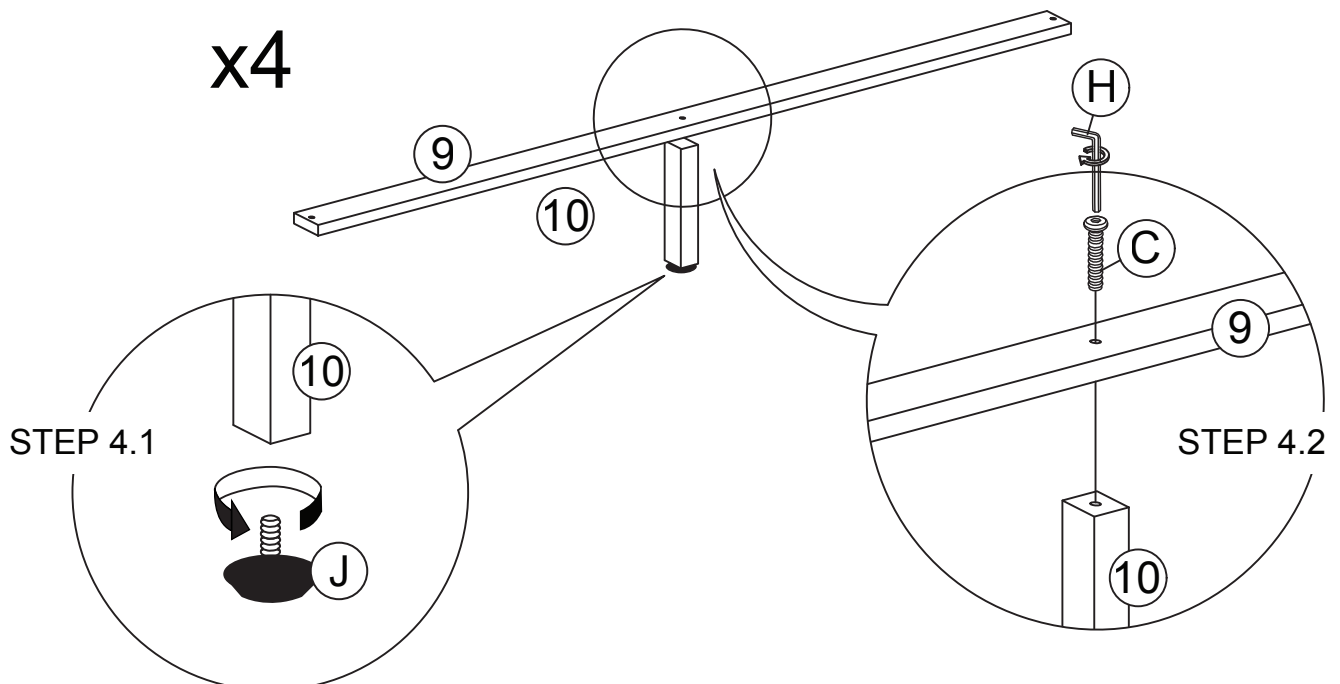
## STEP 3

Insert 6pcs (B) to combine 2pcs (5) to (4) as shown.



## STEP 4

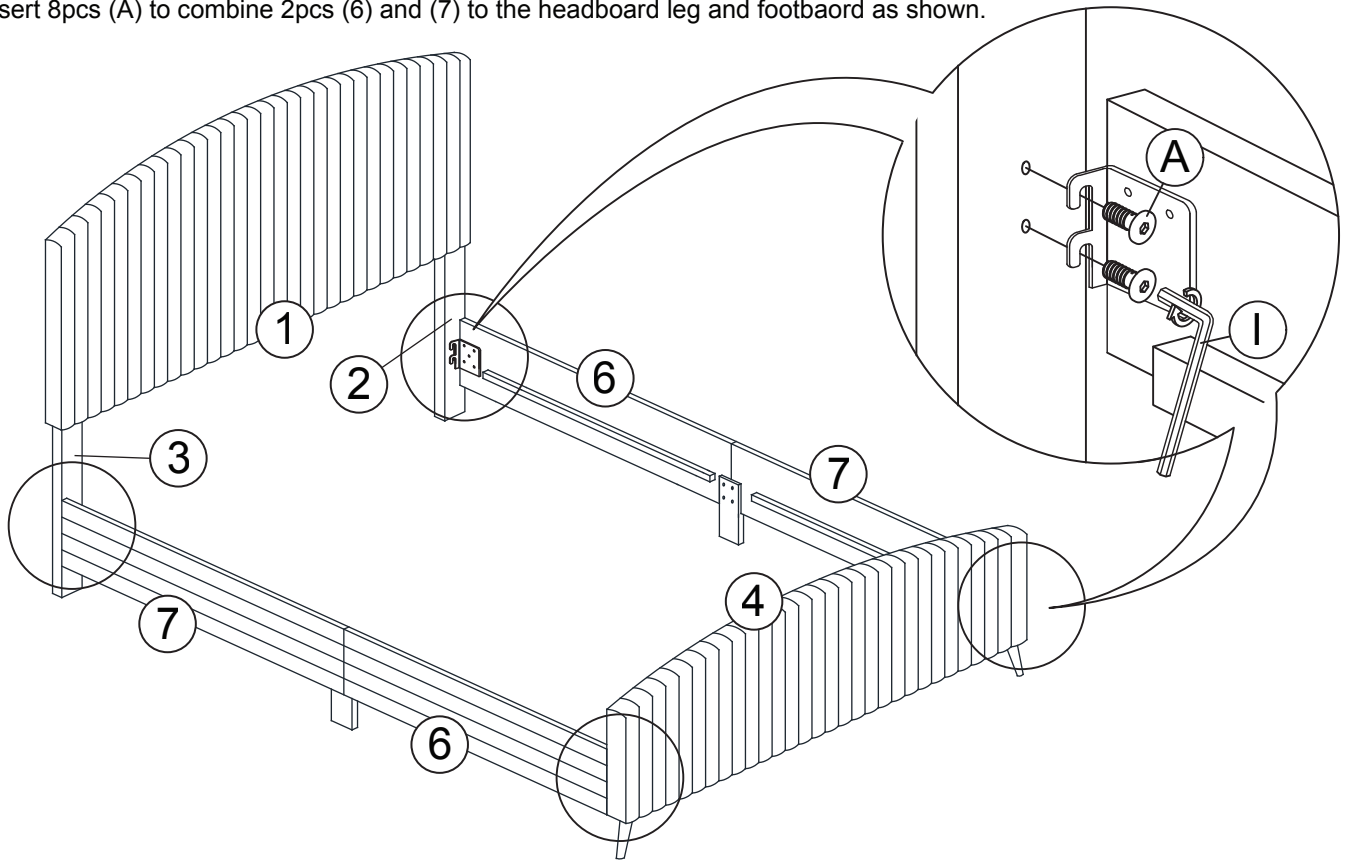
Screw in the (J) to (10), then insert 1pc (C) to combine (10) to the (9) as shown.



# ASSEMBLY INSTRUCTION

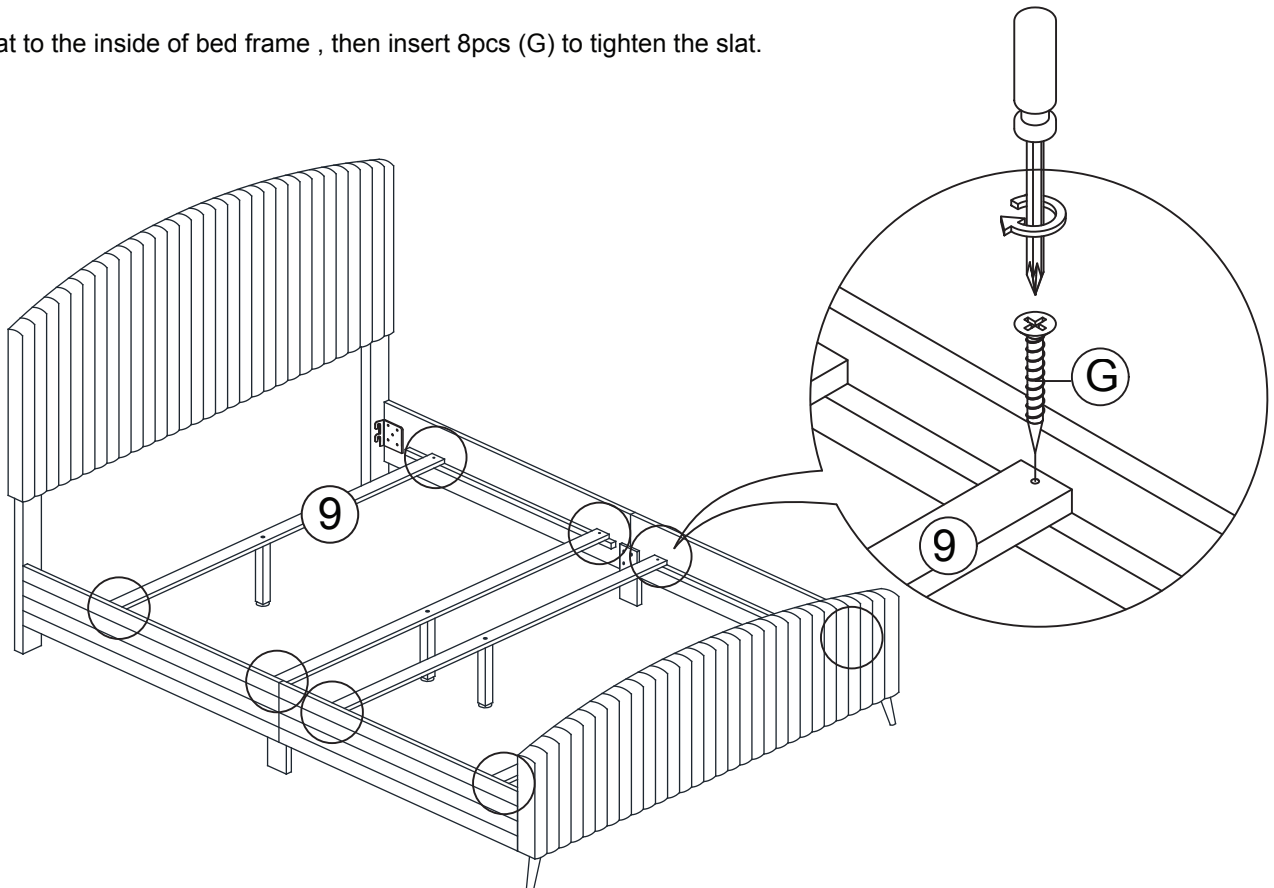
## STEP 5

Insert 8pcs (A) to combine 2pcs (6) and (7) to the headboard leg and footboard as shown.



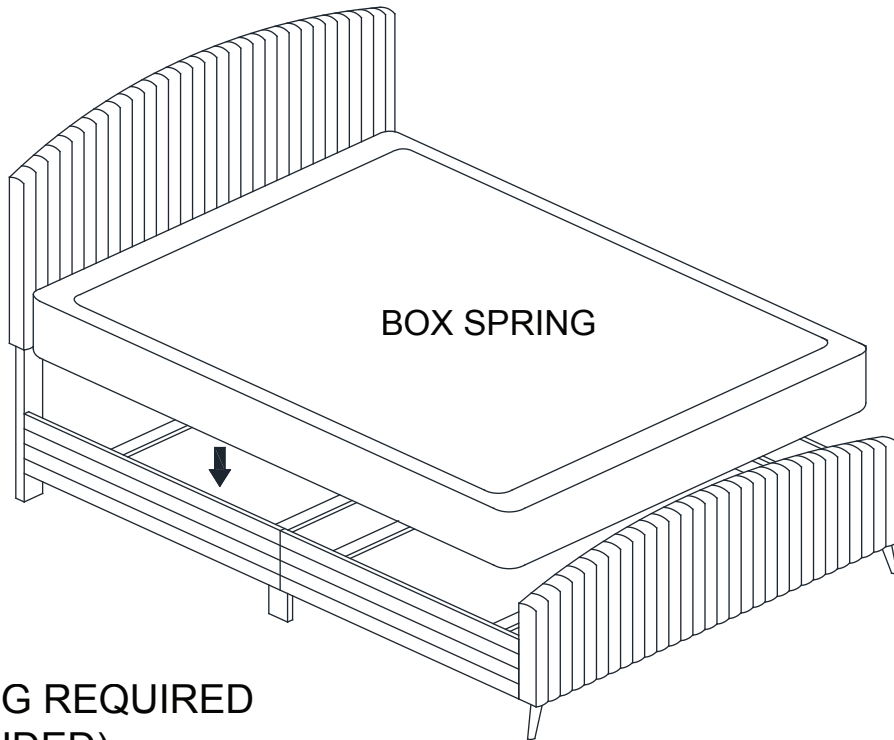
## STEP 6

Put the slat to the inside of bed frame, then insert 8pcs (G) to tighten the slat.



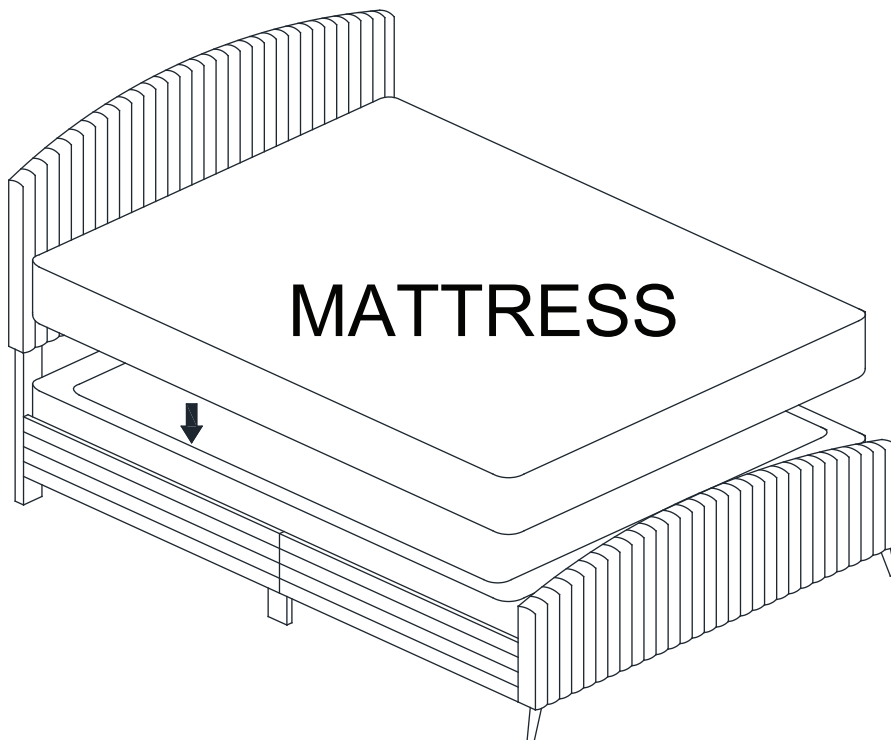
# ASSEMBLY INSTRUCTION

## STEP 7



**BOX SPRING REQUIRED  
(NOT INCLUDED)**

## STEP 8



**MATTRESS NOT INCLUDED**

**ASSEMBLY COMPLETED**