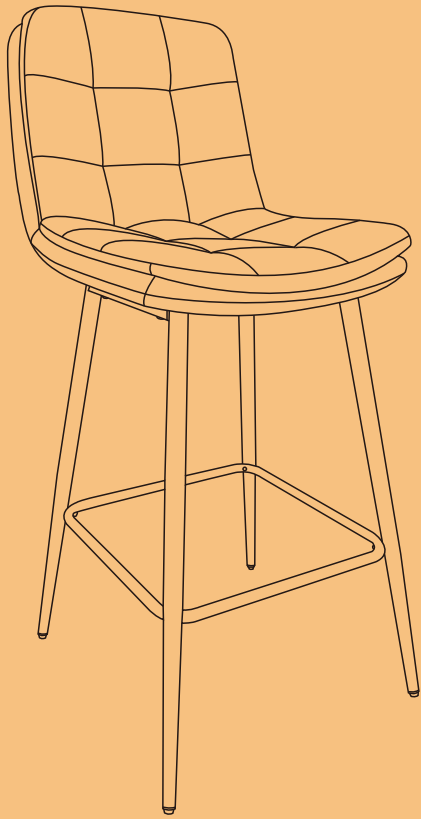
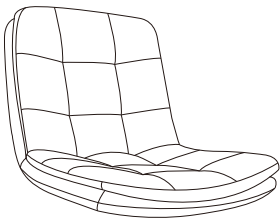


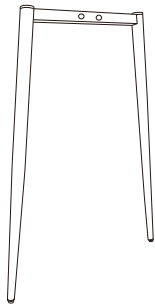
INSTRUCTION MANUAL



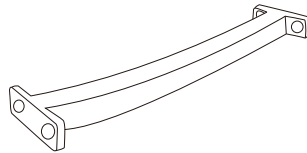
Part List



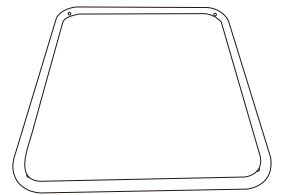
A *2



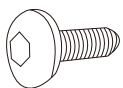
B *4



C *2

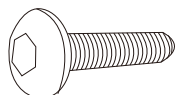


D *2



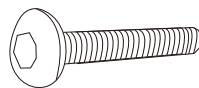
E (4+1)*2

M6*20 mm



F (4+1)*2

M6*30mm



G (4+1)*2

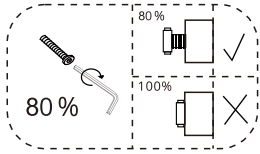
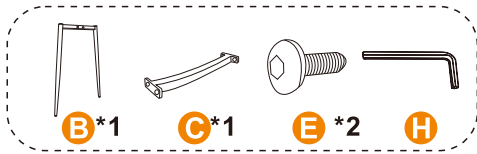
M6*35 mm



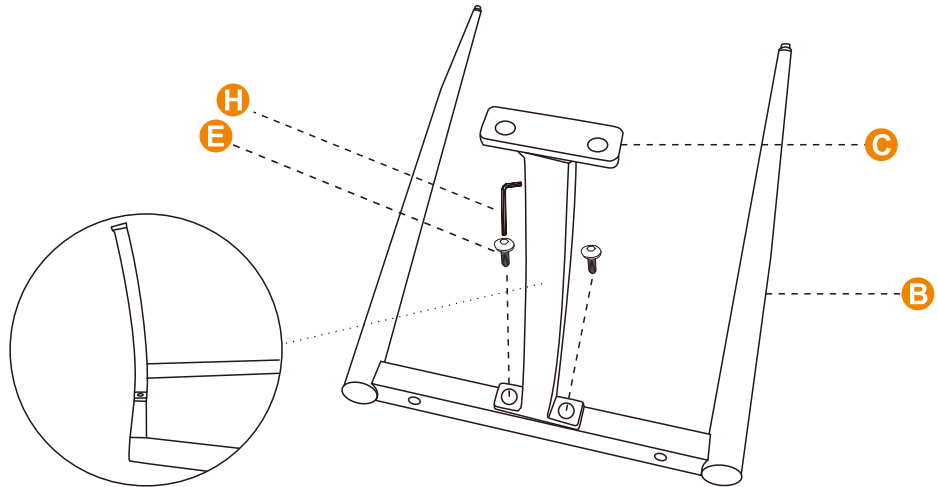
H *1

Assembly Instruction

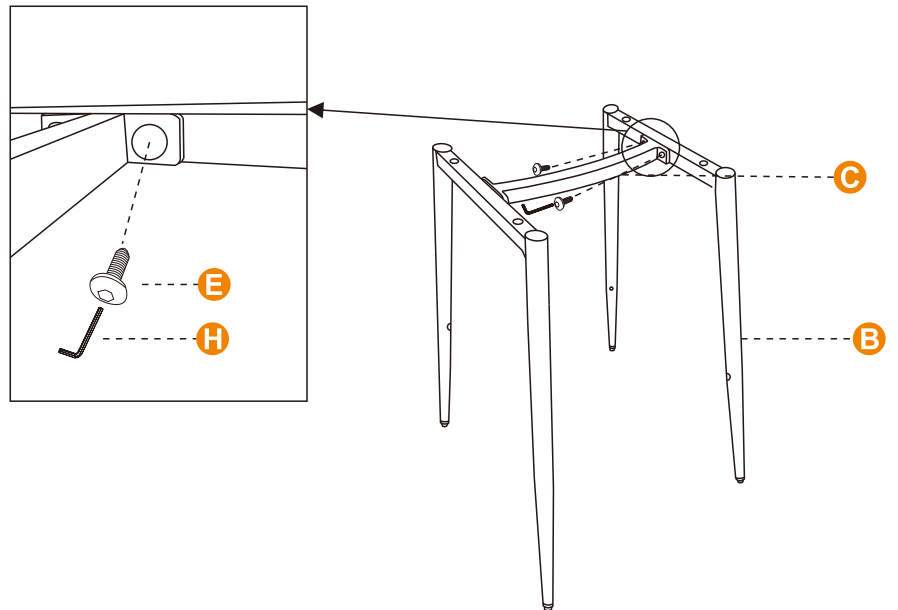
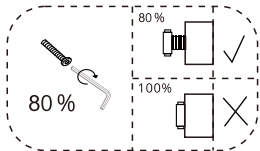
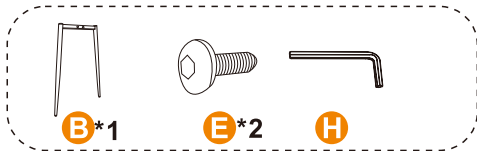
Step 1



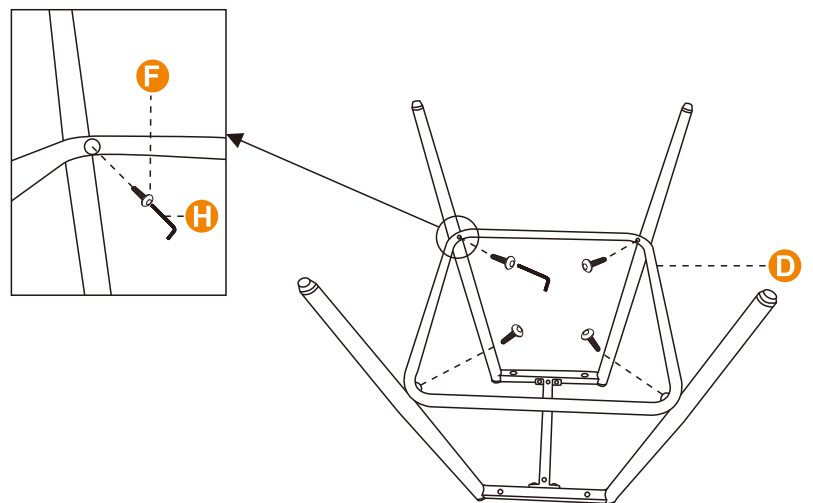
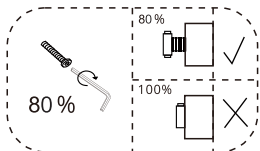
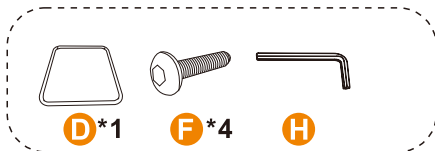
Note: Turn the curved bulge of C towards the nail direction.



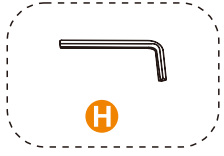
Step 2



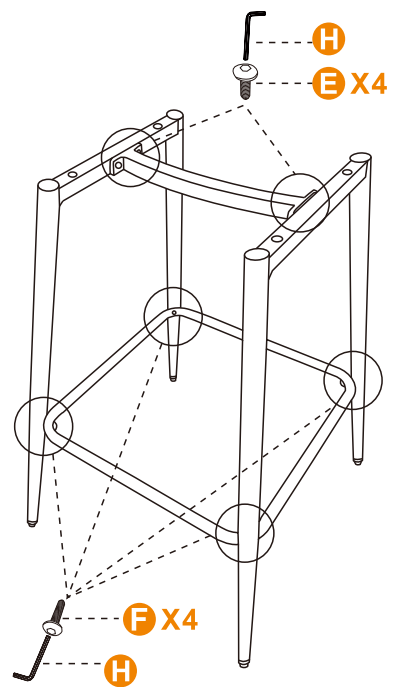
Step 3



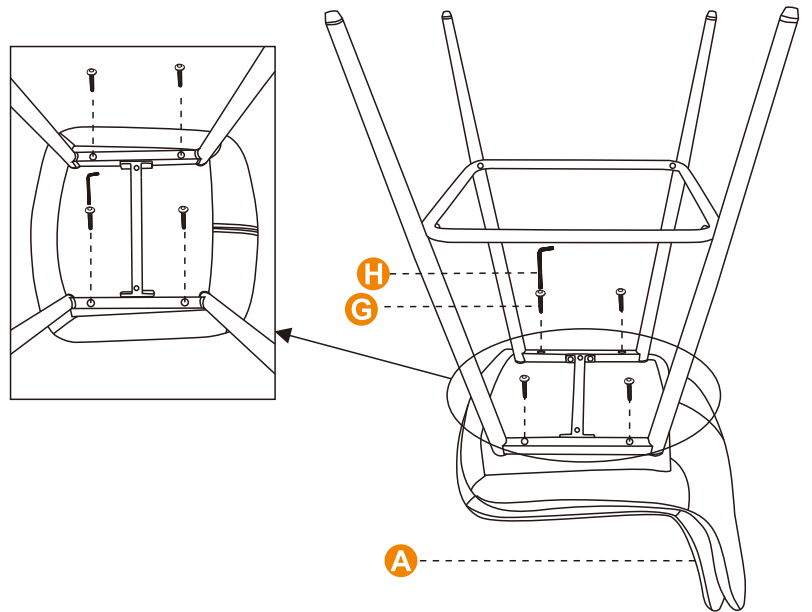
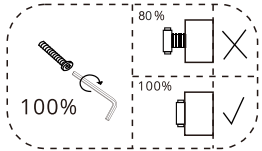
Step 4



Tighten all the screws to 100%

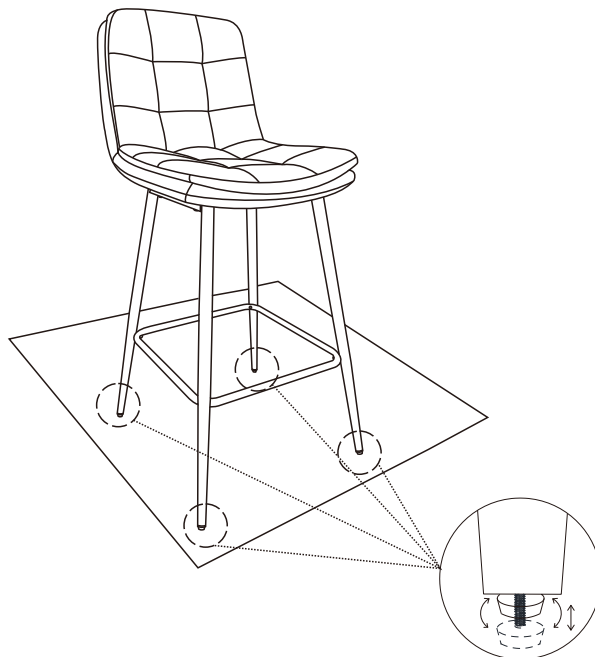


Step 5



Step 6

Adjust the leveling feet for balance.



Finish

