

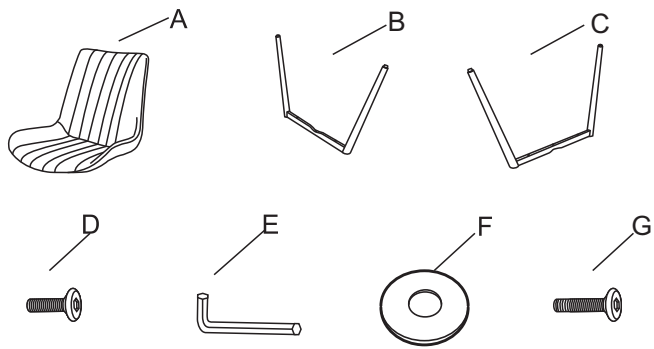
CHAIR ASSEMBLY INSTRUCTIONS

ADVICE BEFORE INSTALLATION

- Before you start please read carefully the following instructions.
- Use this product only for its own functions and features of origin, never use it as a ladder.

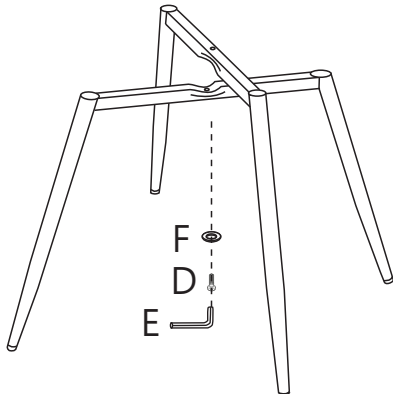
PART LIST

- A. Back (1pc)
- B.Right leg(1pc)
- C.Left leg (1pc)
- D.Screw M6x30mm (1pcs)
- E. Allen Key (1pc)
- F. Washers(5pcs)
- G.Screw M6x45mm(4pcs)

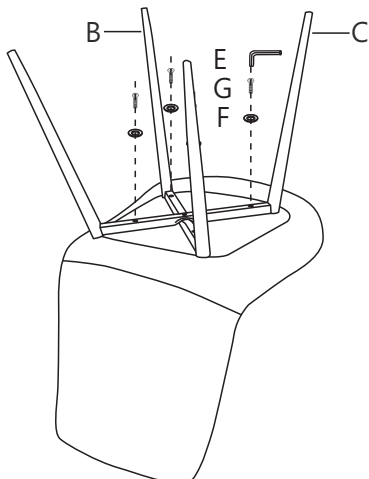


INSTALLATION STEP

STEP 1



STEP 2



STEP 3

