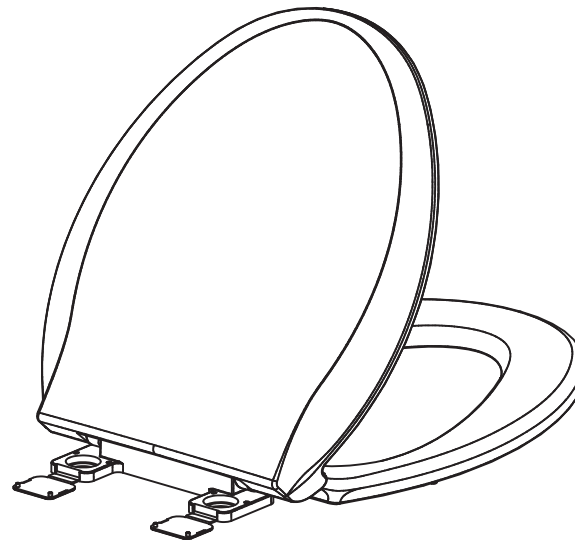
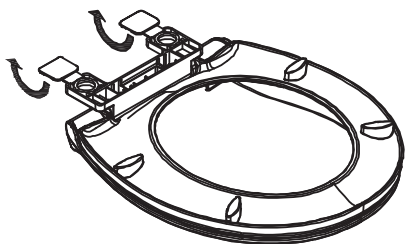


Toilet Seat Cover

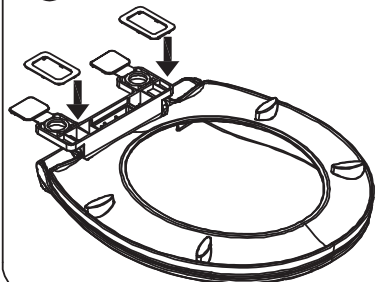
R8LA399



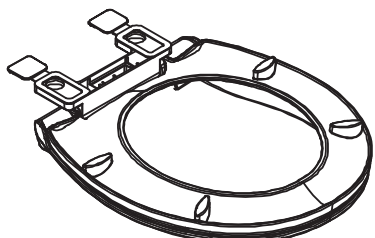
① Open the plastic cover.



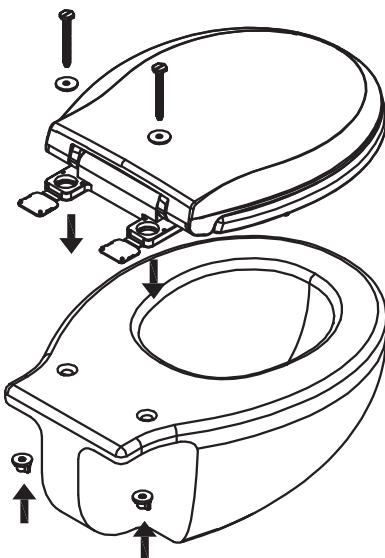
② Install 2 pcs plastic washer.



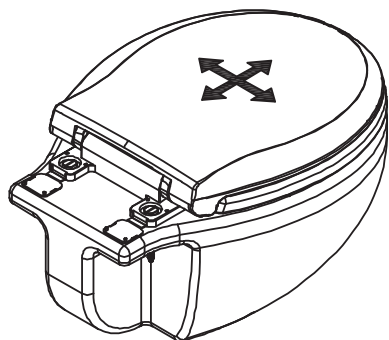
③ Press the plastic washer tightly.



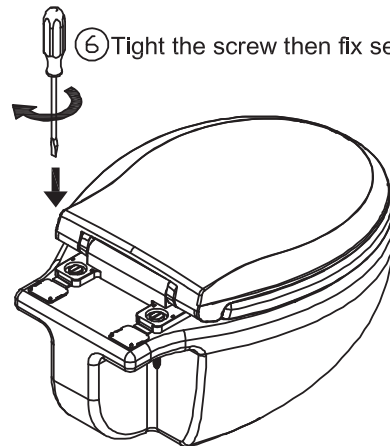
④ Fixing the toilet seat by screws.



⑤ Adjust the toilet cover to fit Ceramic well.



⑥ Tight the screw then fix seat.



⑦ Close the plastic cover.

