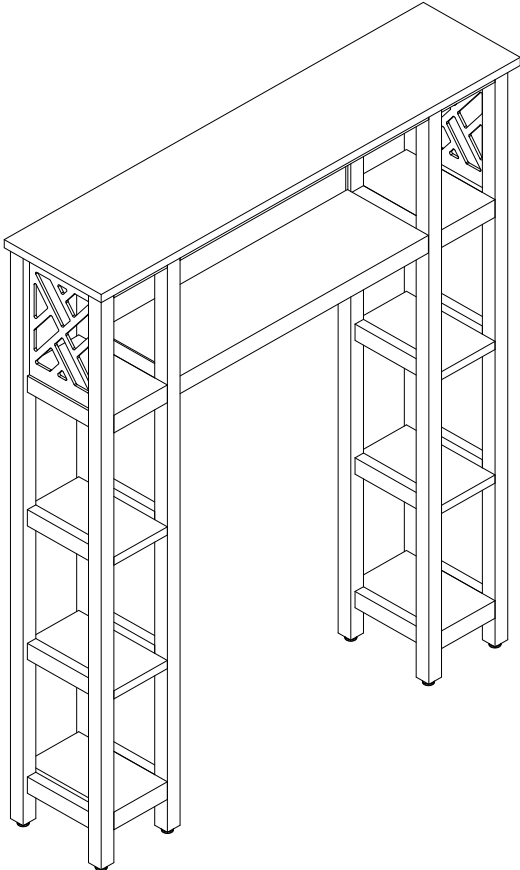

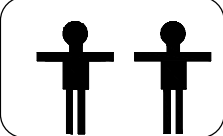

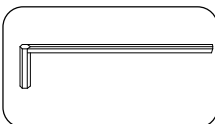
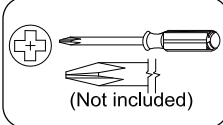


ASSEMBLY INSTRUCTIONS

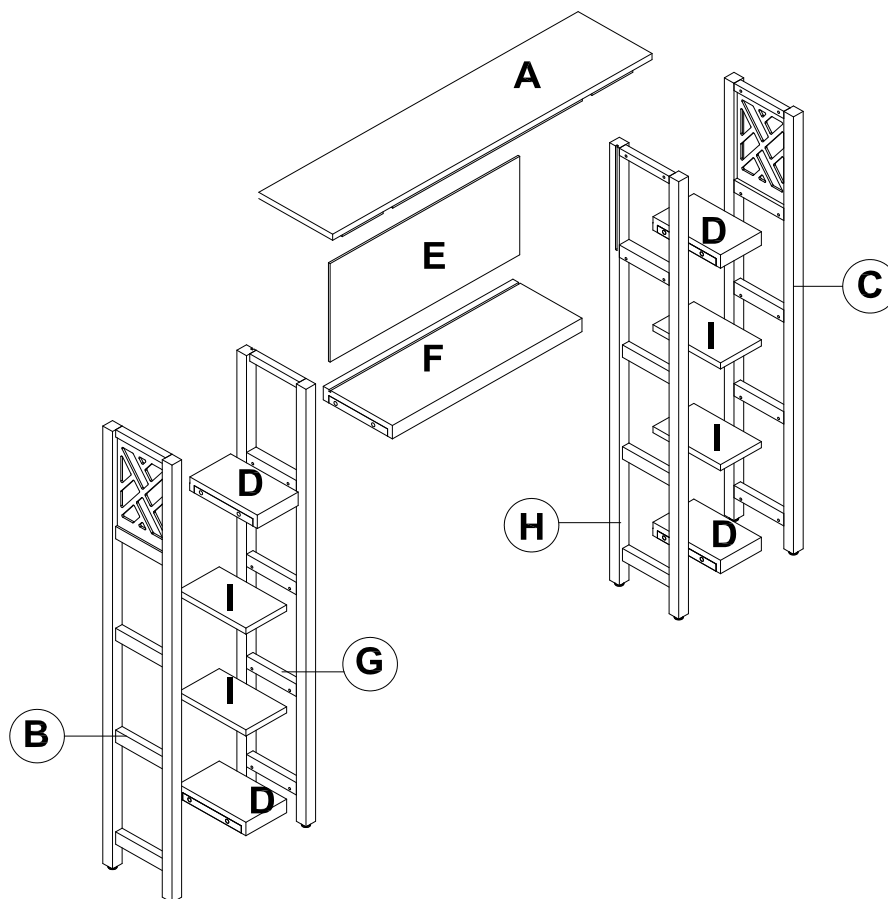
Over Toilet Open Shelving with Left/Right Shelving



REPLACEMENT PARTS
Please do not contact the company purchased from as we can help you faster.

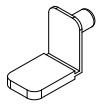
 <p>. Use of power tool to assemble this product will invalidate any claim and damage this product making it unsafe!!! . Please assemble on a clean soft surface to avoid damage.</p>	 <p>+</p>  <p>50 minutes</p>	<p>Tool Included</p>   <p>(Not included)</p>
--	--	--

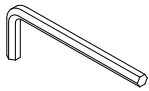
Part List- Over Toilet Open Shelving with Left/Right Shelving

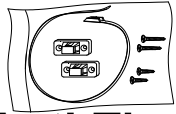


Identifying the hardware-Identify the hardware using the illustrations below.

J  **28**
M6X30mm


K  **16**

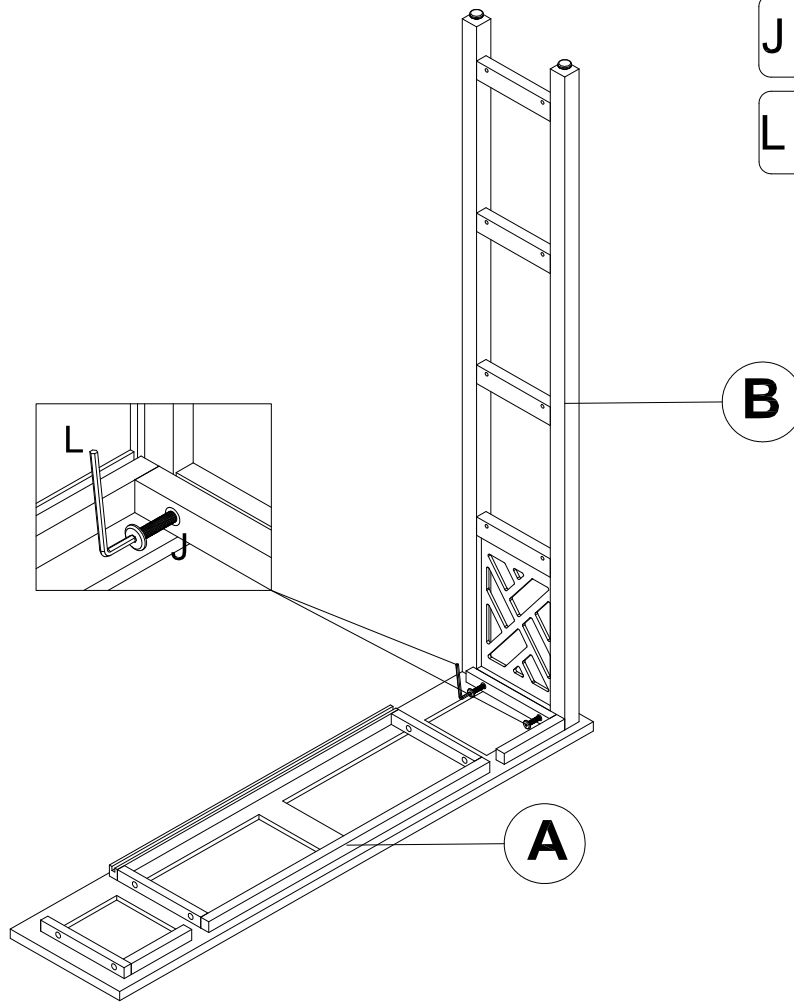
L  **01**

M  **01**
Anti-Tip Bag

STEP 1


J  02
M6X30mm

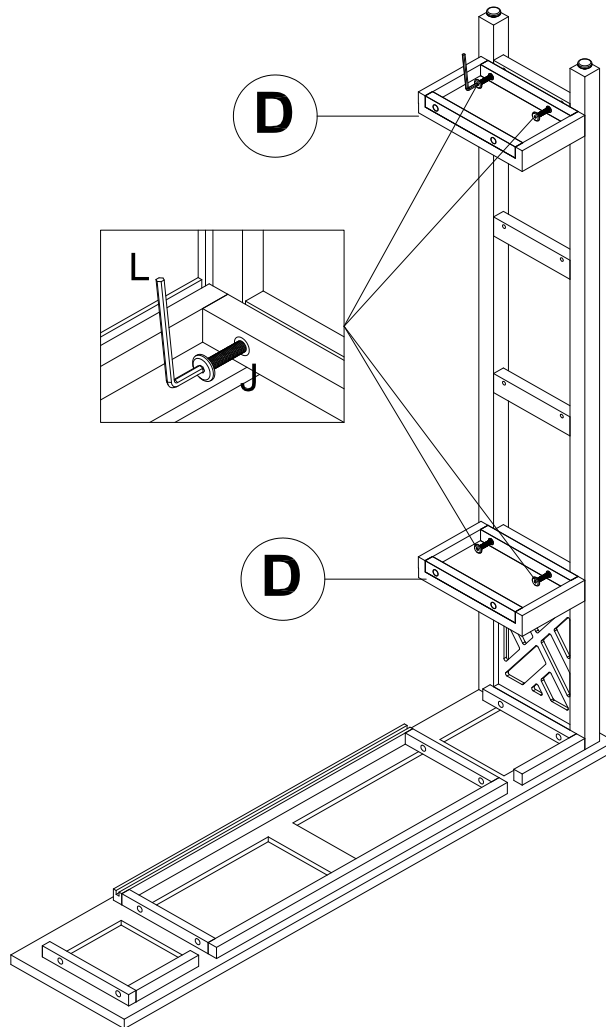
L  01



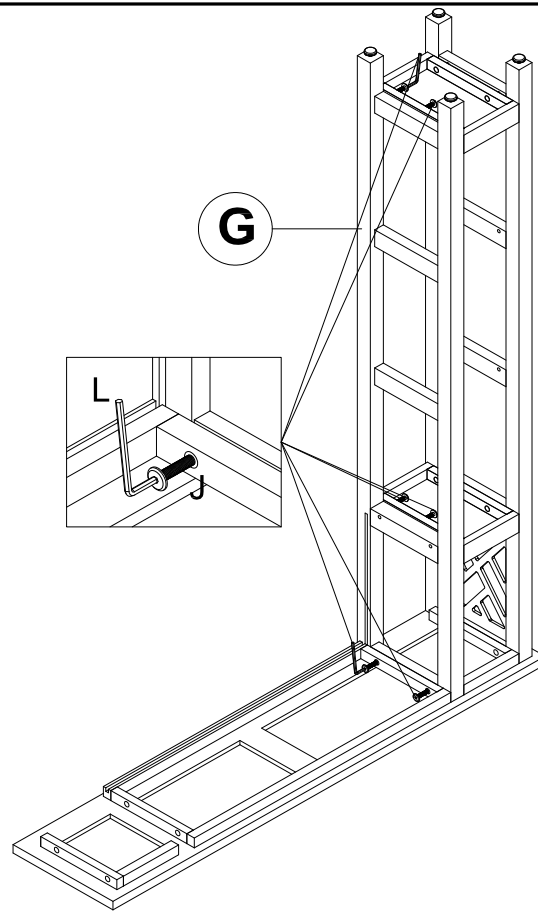
STEP 2

J  04
M6X30mm


L  01



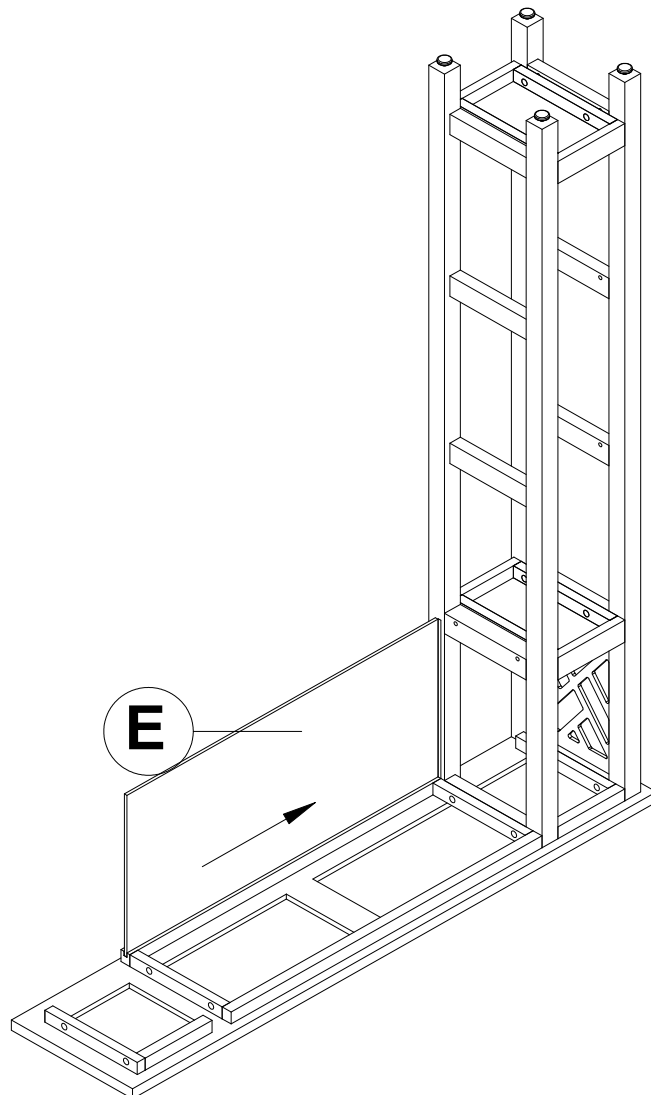
STEP 3



J  06
M6X30mm


L  01

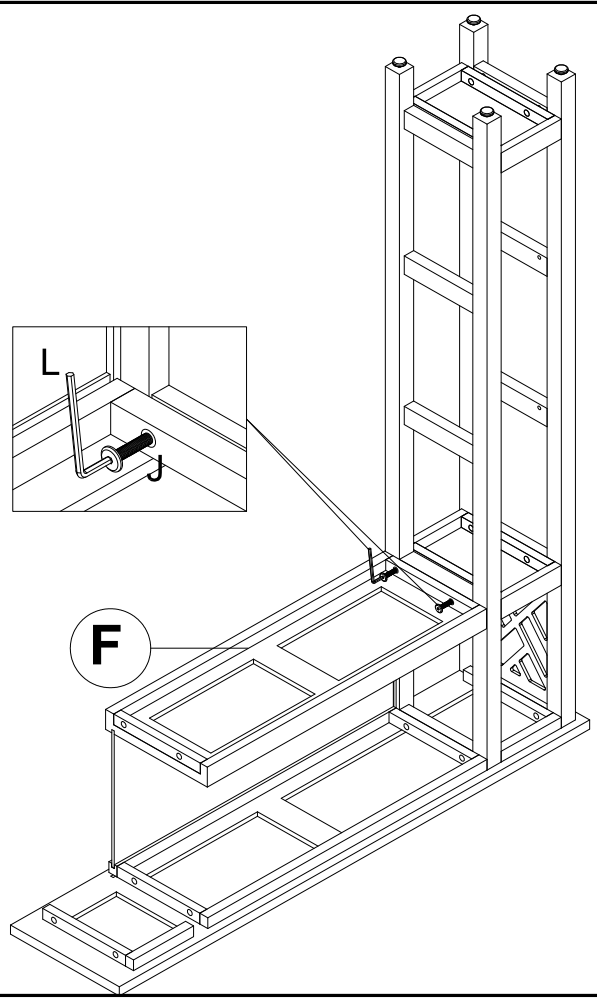
STEP 4



STEP 5

J  02
M6X30mm

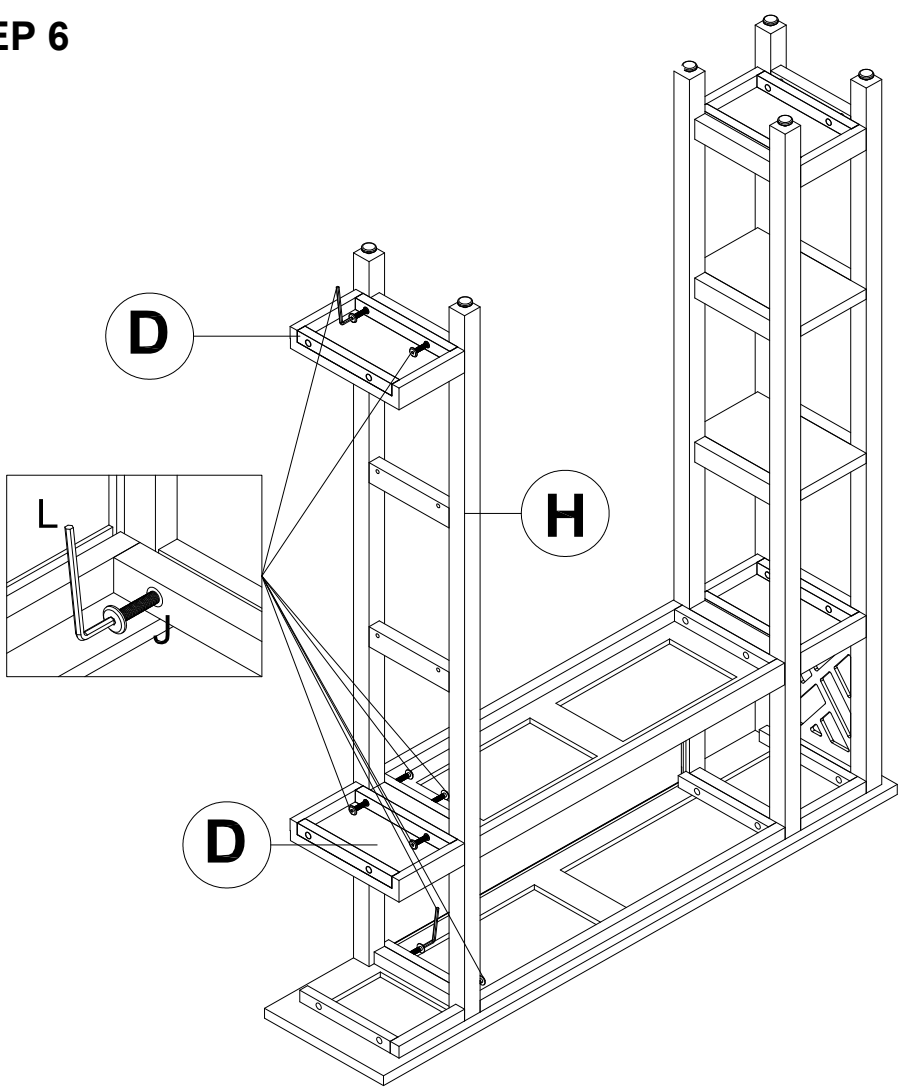
L  01



STEP 6


J  08
M6X30mm

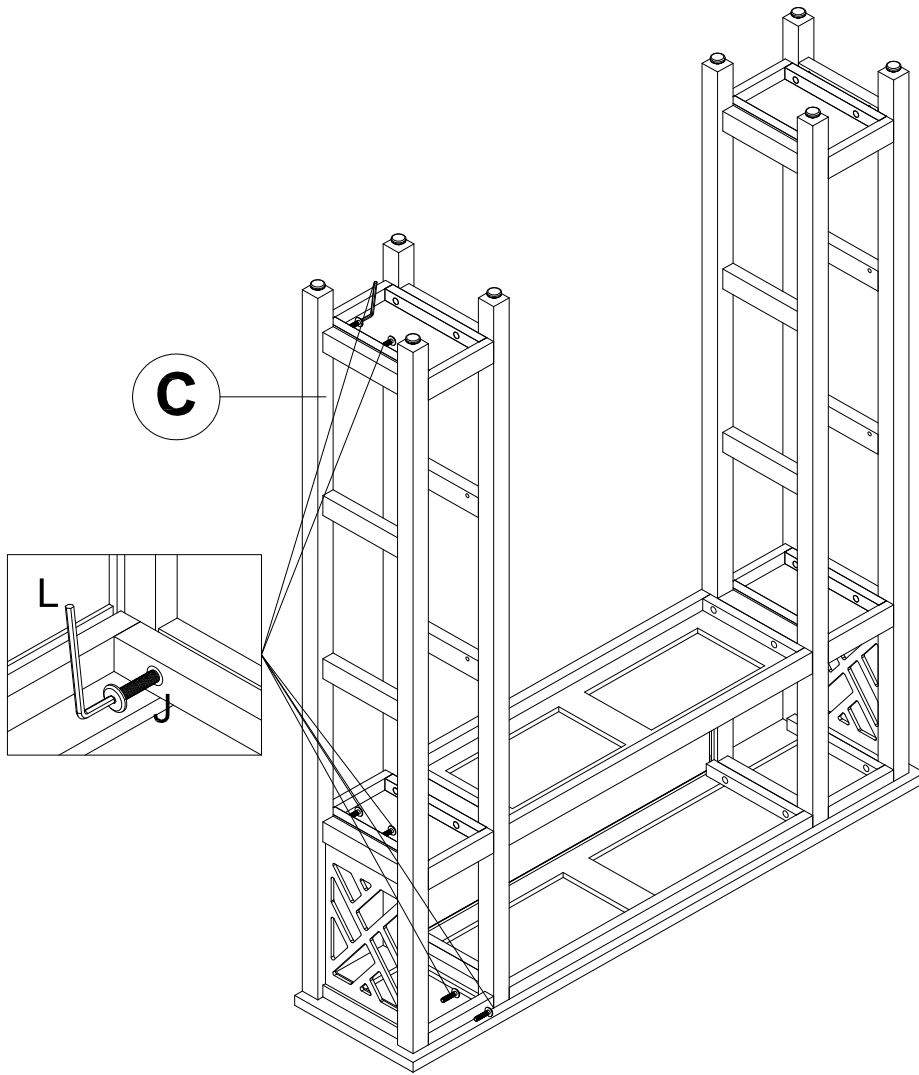
L  01




STEP 7

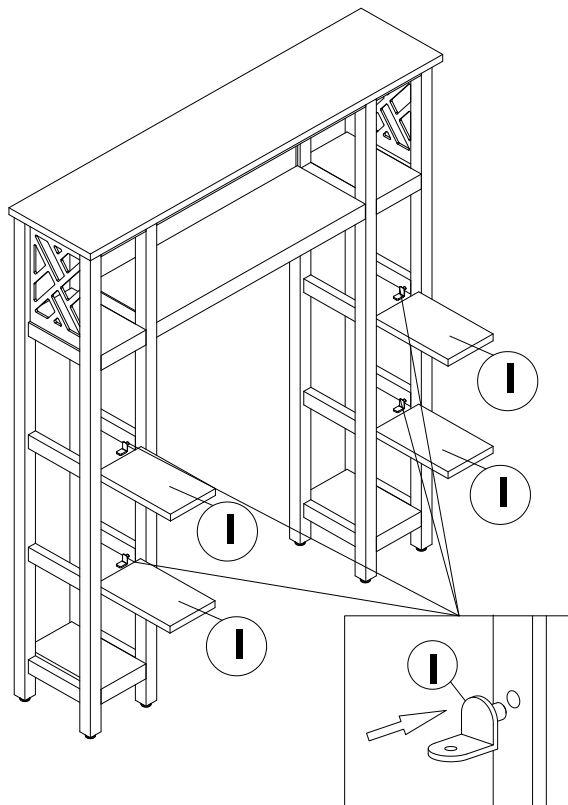
J  06
M6X30mm

L  01







STEP 8

K  16



"M" Anti-Tip Bag

A	 4x14 Screw	02	C	 Plastic wall bracket	02
B	 4x35 Screw	02	D	 Nylon strap 140mm	01

Secure to Stud behind Wallboard

