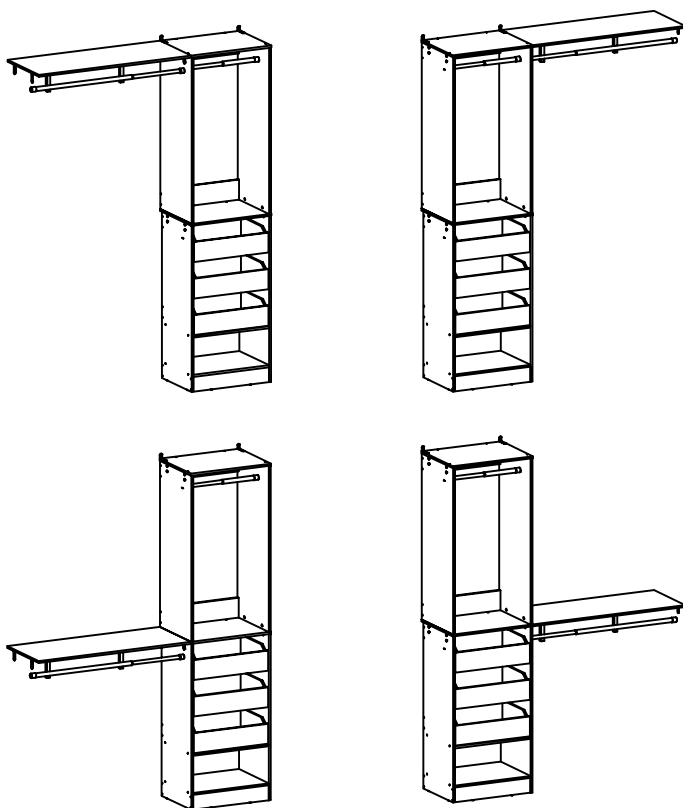


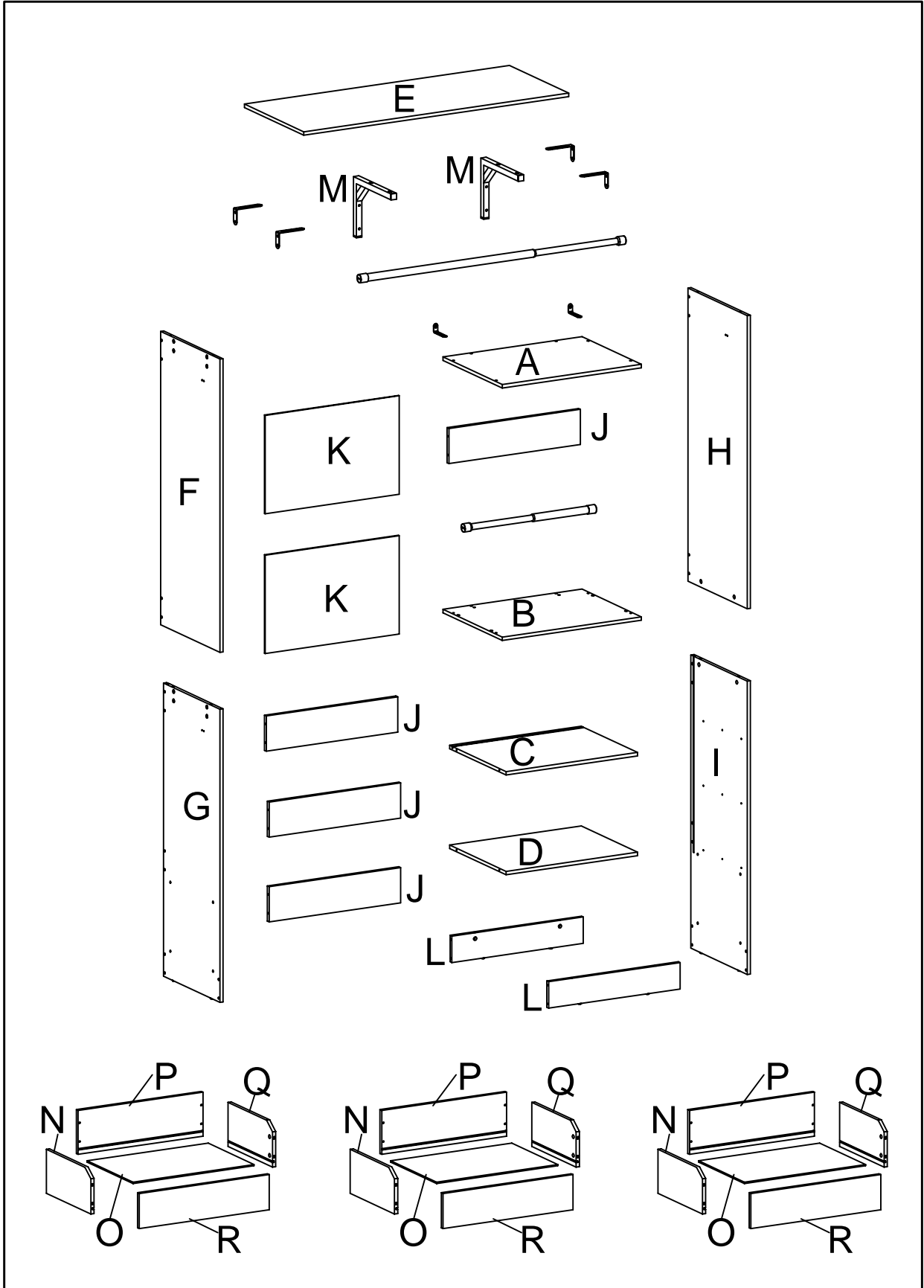
8FT Closet System with Single Shelves and Drawers

Assembly Instructions


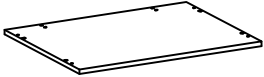




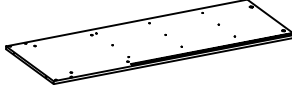





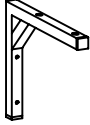



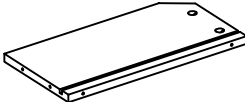



Attention: Please ensure you have all parts before commencing assembly.
Please read all the instructions before commencing.

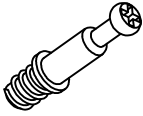

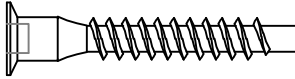

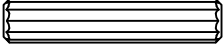


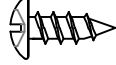

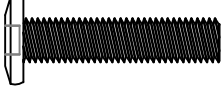

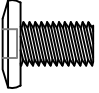
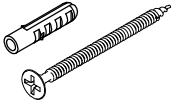
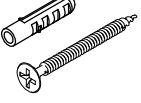
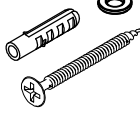
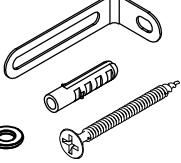
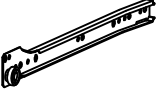
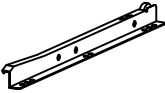
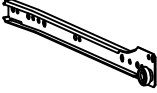
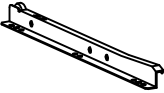

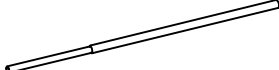



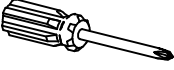
PART LIST



PART LIST

<p>A x 1pc</p> 	<p>B x 1pc</p> 	<p>C x 1pc</p> 	<p>D x 1pc</p> 
<p>E x 1pc</p> 	<p>F x 1pc</p> 	<p>G x 1pc</p> 	<p>H x 1pc</p> 
<p>I x 1pc</p> 	<p>J x 4pcs</p> 	<p>K x 2pcs</p> 	<p>L x 2pcs</p> 
<p>M x 2pcs</p> 	<p>N x 3pcs</p> 	<p>O x 3pcs</p> 	<p>P x 3pcs</p> 
<p>Q x 3pcs</p> 	<p>R x 3pcs</p> 		

HARDWARE LIST

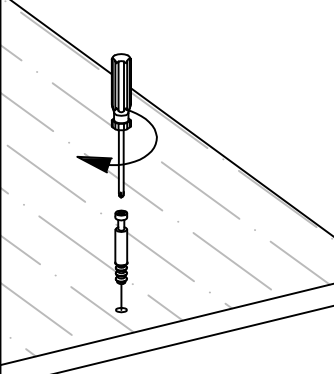
①  M6x28 24 pcs	②  Ø12 24 pcs	③  M6x40 44 pcs	④  M4x30 12 pcs
⑤  M6x30 4 pcs	⑥  M3x12 36 pcs	⑦  M4x12 6 pcs	⑧  M4x12 8 pcs
⑨  100x55 4 pcs	⑩  M6x27 4 pcs	⑪  31-51cm 1 pc	⑫  M6x10 4 pcs
⑬  M4x60 4 pcs	⑭  M4x40 2 pcs	⑮  M4x40 4 pcs	⑯  M4x40 2 pcs
⑰  300L 3 pcs	⑱  300L 3 pcs	⑲  300L 3 pcs	⑳  300L 3 pcs
㉑  2 pcs	㉒  66-122cm 1 pc	㉓  2 pcs	㉔  494L 1 pc
㉕  M4 1 pc	㉖  1 pc		

Please count and verify all parts before assembly.

How to install Camlocks

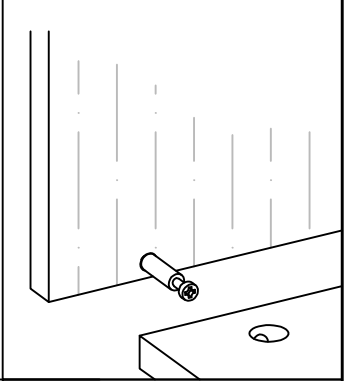
Connect the male camlock as directed in the assembly instructions with a screwdriver.

1 DO NOT OVER TIGHTEN



Put the male camlock into the entry hole.

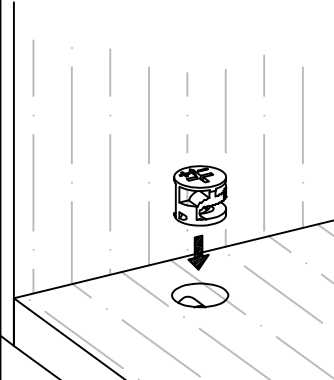
2



Insert the female camlock as shown in the instruction.

Note: ensure that the arrow on the top of the camlock points toward the entry hole for the male camlock.

3

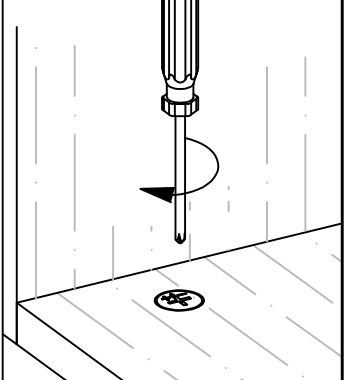


Screw the female camlock clockwise with a screwdriver.

You will feel a click when the camlock is locked in place.

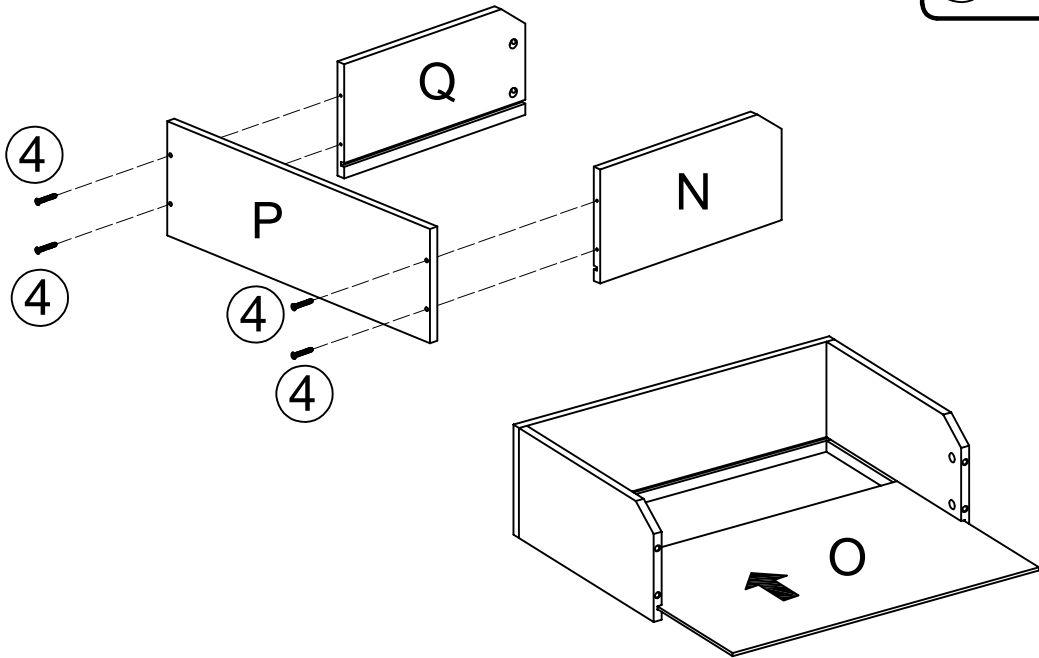
The camlock is now completed.

4



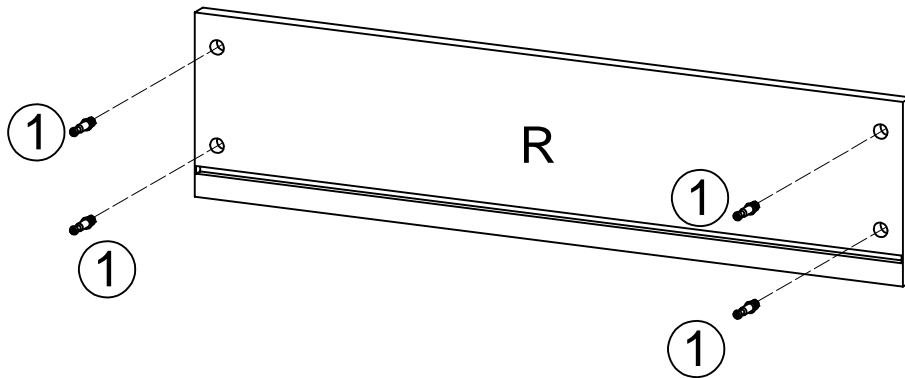
STEP 1

④  x4



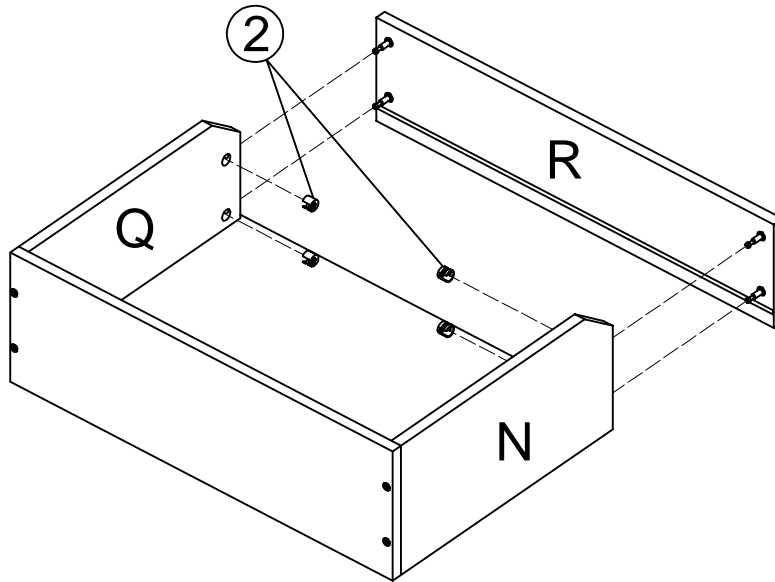
STEP 2

①  x4



STEP 3

2  x4

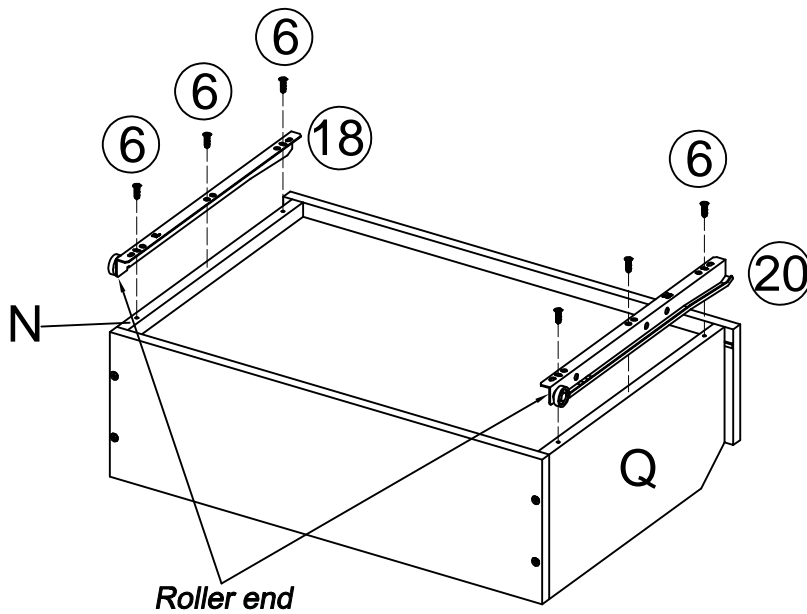


STEP 4

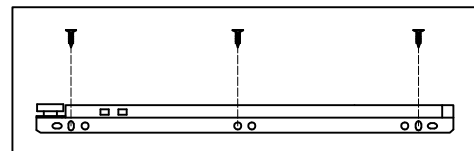
6  x6

18  x1

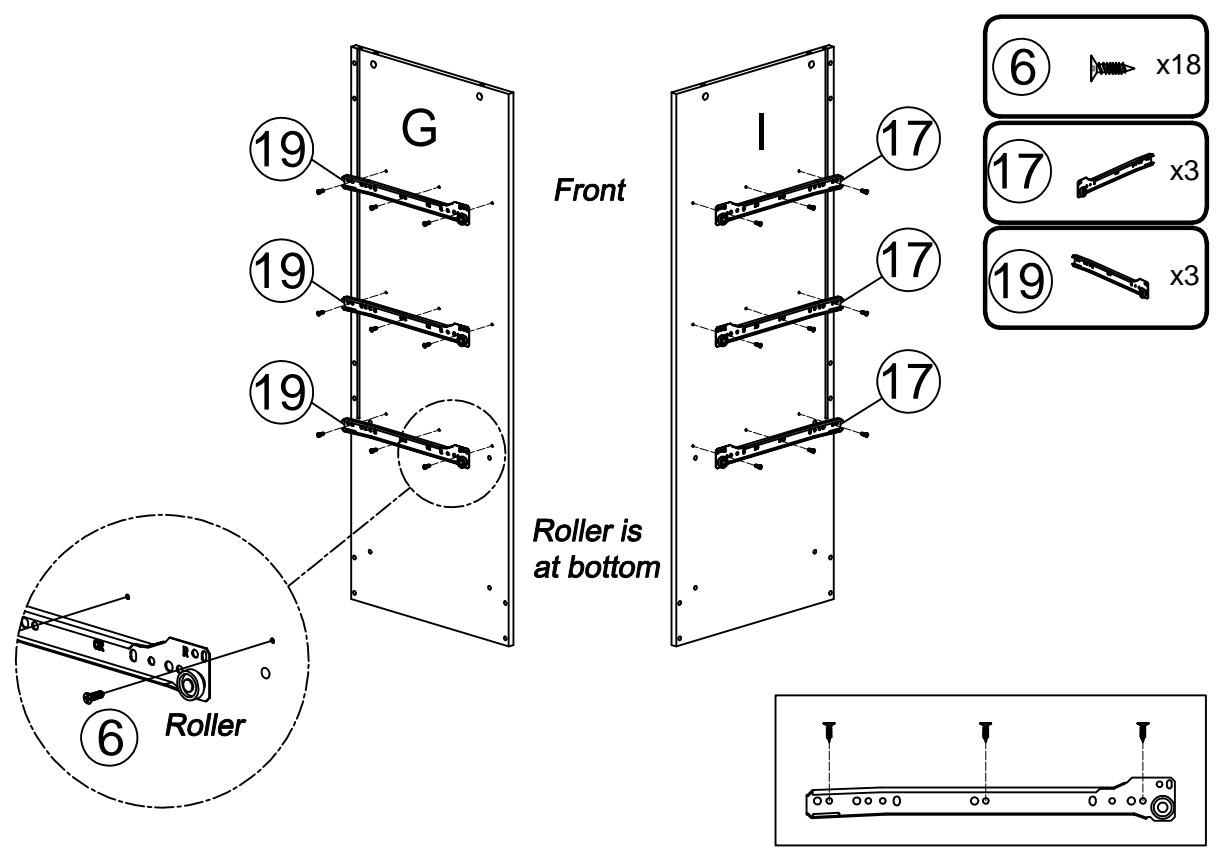
20  x1



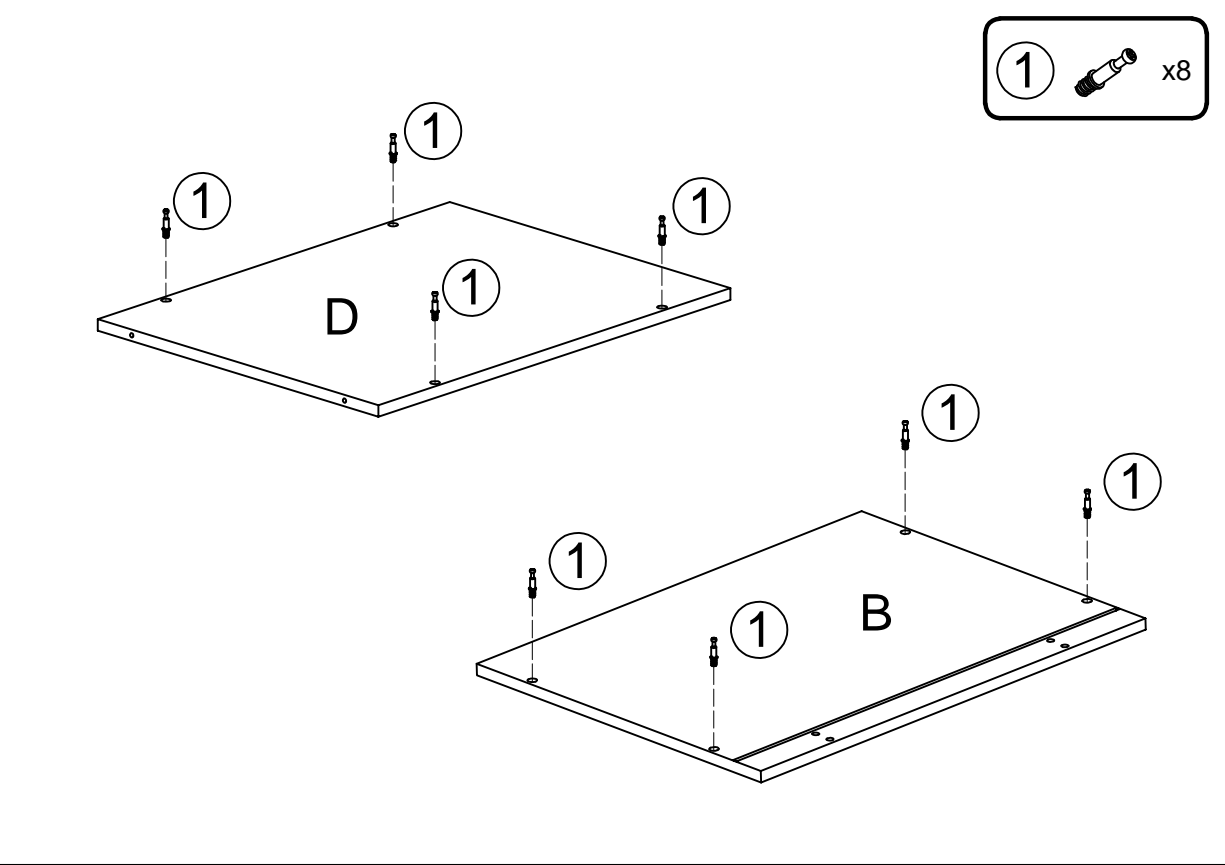
NOTICE: The installation of all three drawers is based on the above four steps.



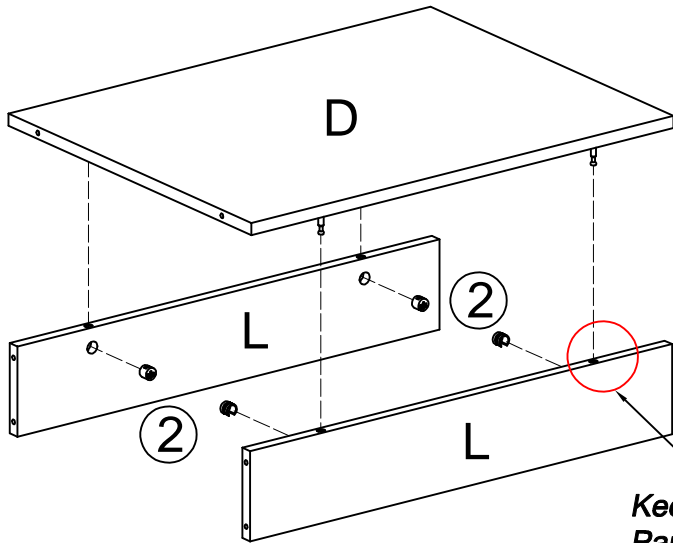
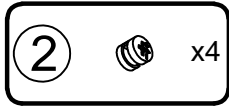
STEP 5



STEP 6

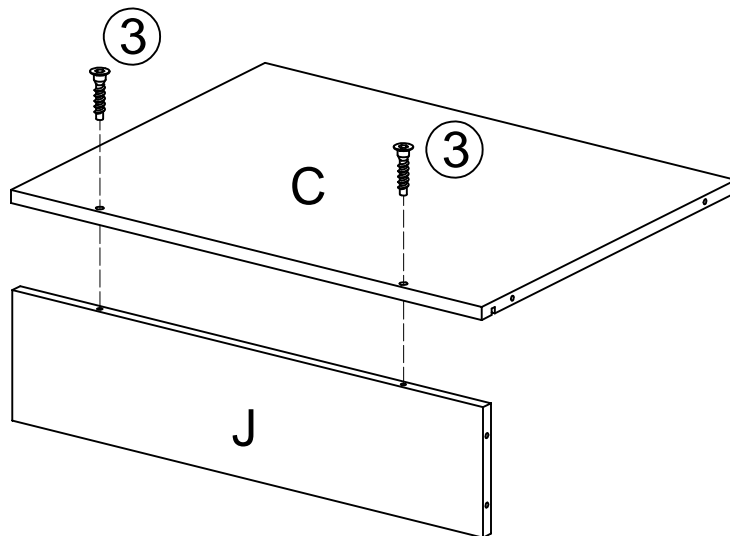
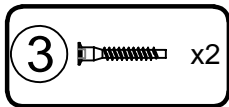


STEP 7



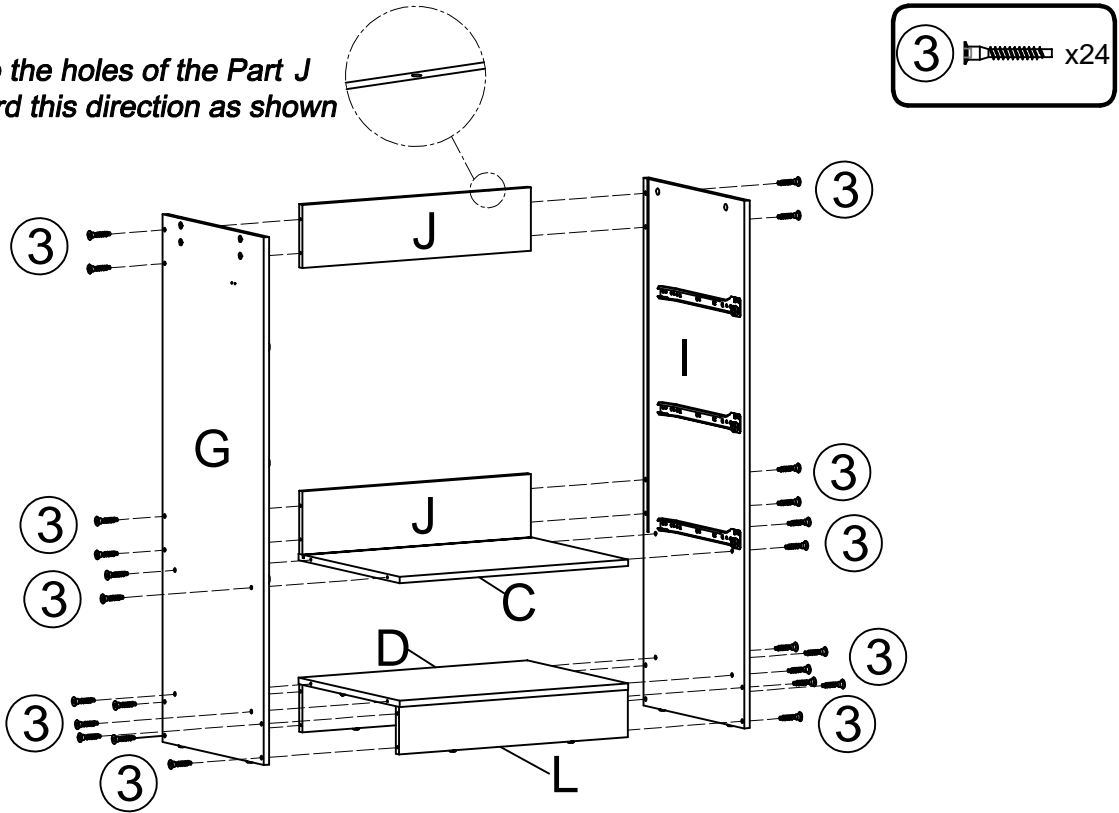
Keep the holes of the Part L toward this direction as shown

STEP 8

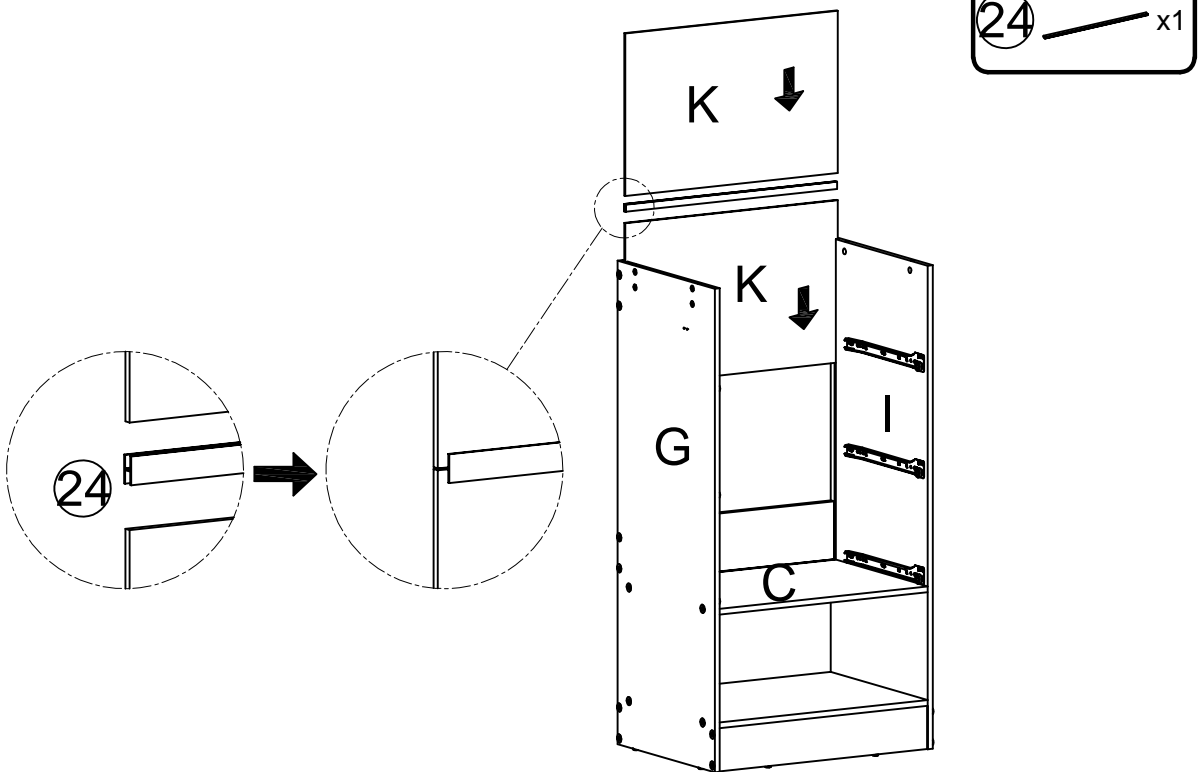


STEP 9

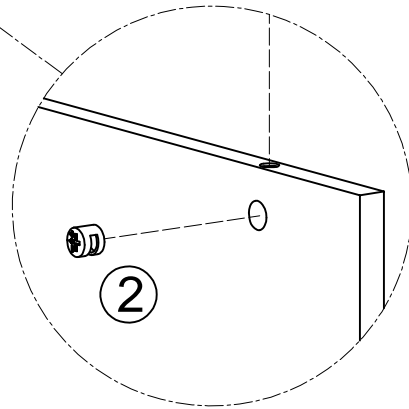
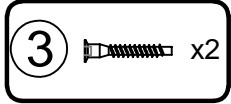
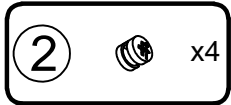
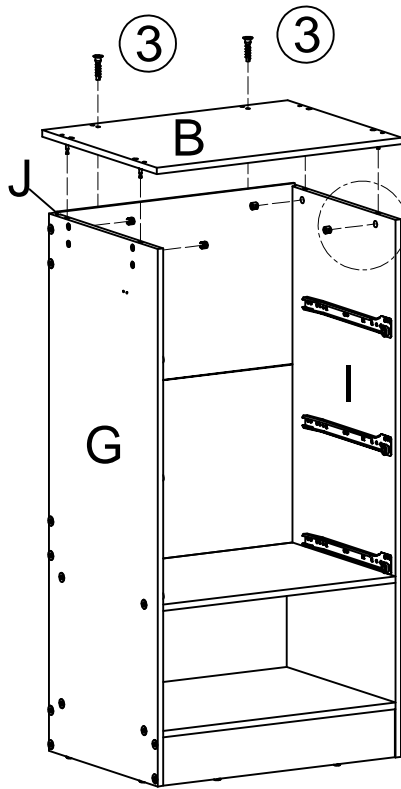
Keep the holes of the Part J toward this direction as shown



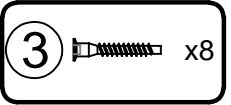
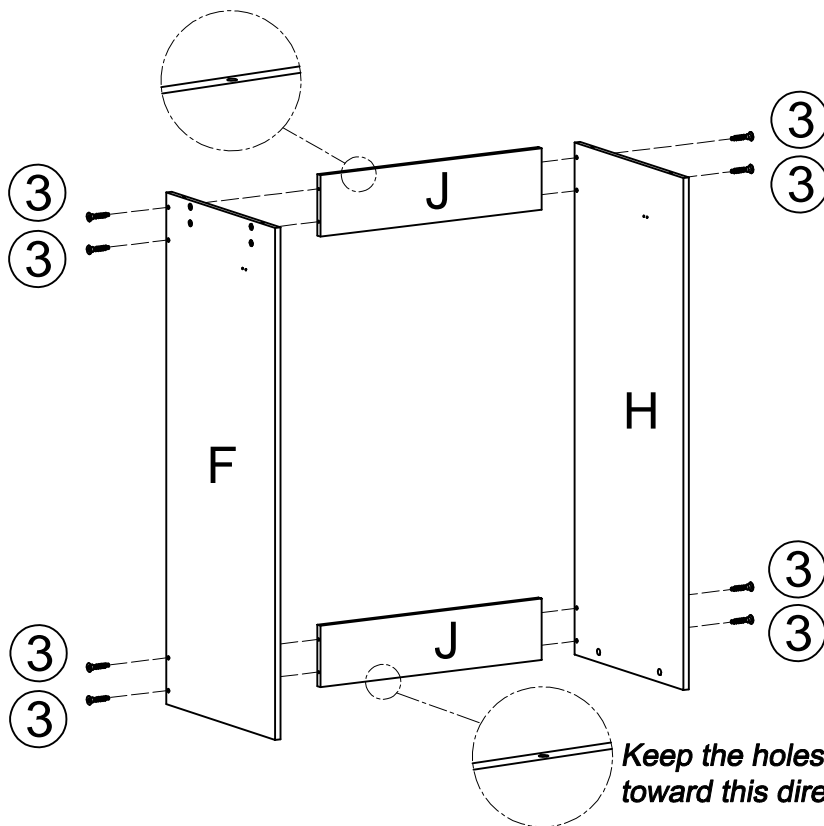
STEP 10



STEP 11

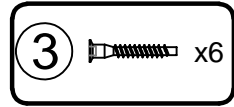
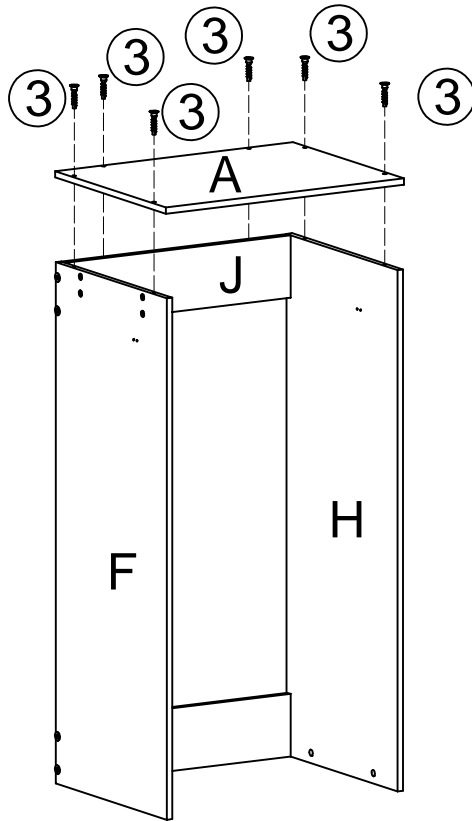


STEP 12

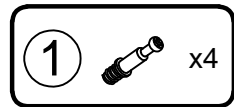
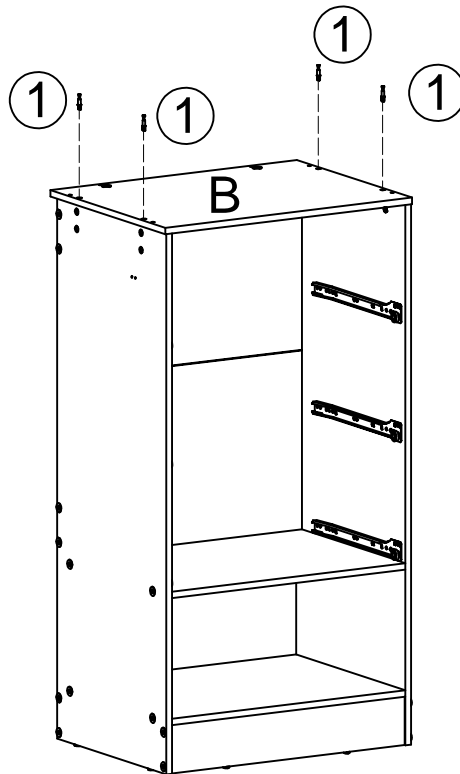


Keep the holes of the Part J toward this direction as shown

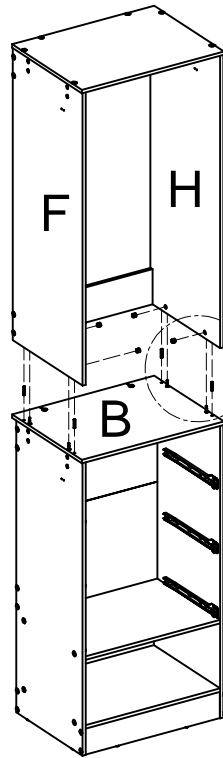
STEP 13





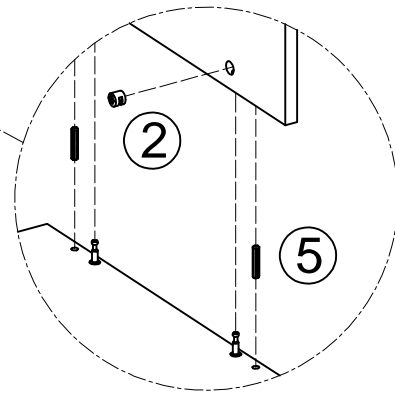
STEP 14



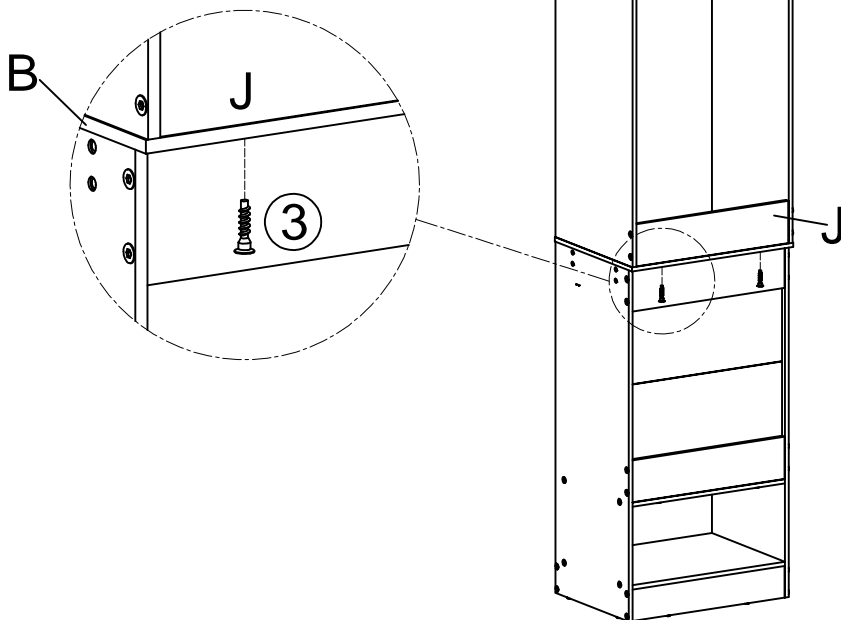
STEP 15

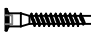


- ②  x4
- ⑤  x4

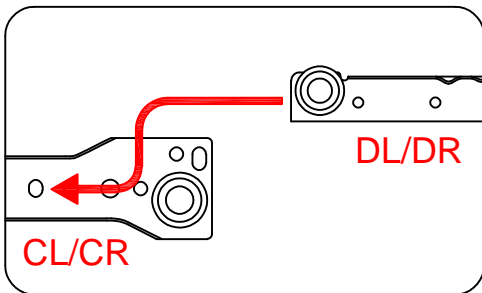


STEP 16

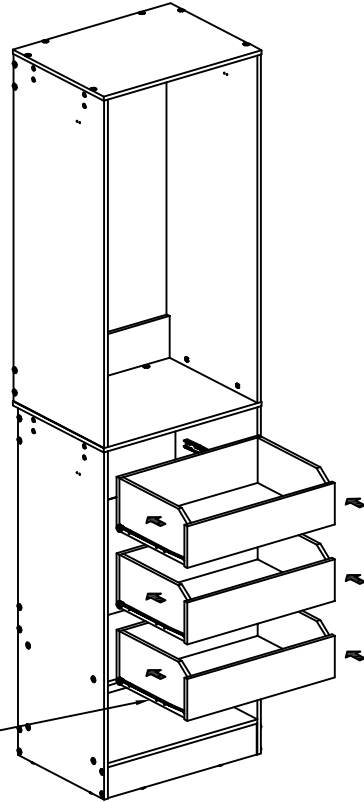


- ③  x2

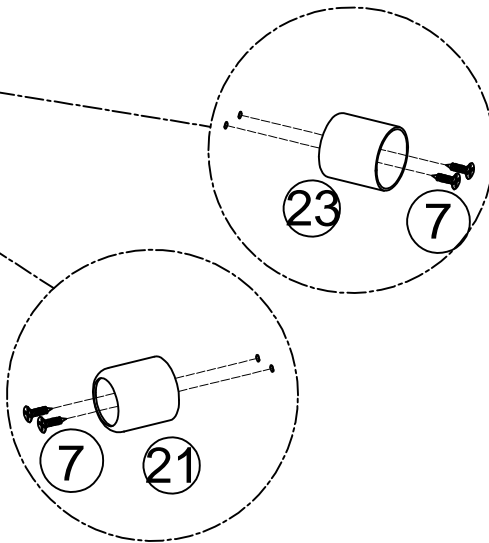
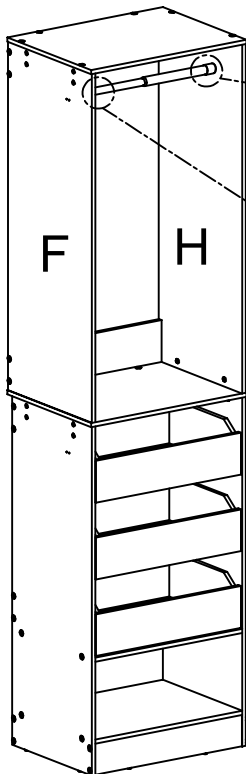
STEP 17







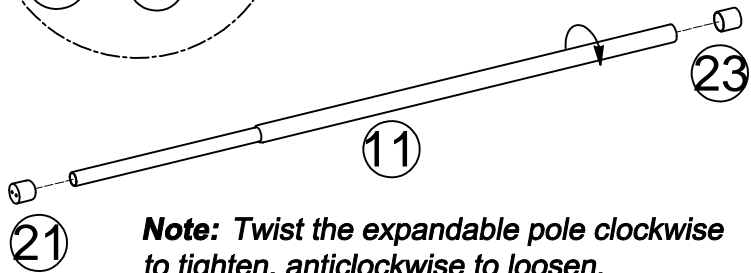
Please put the wheels align with the slots as the instruction shows, then slide into them



STEP 18



- 11  x1
- 23  x1
- 21  x1
- 7  x4






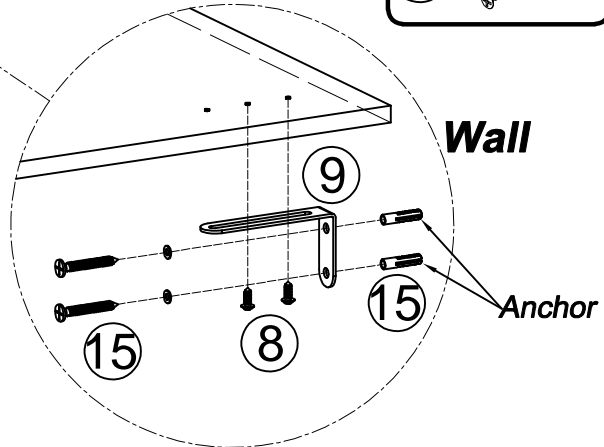
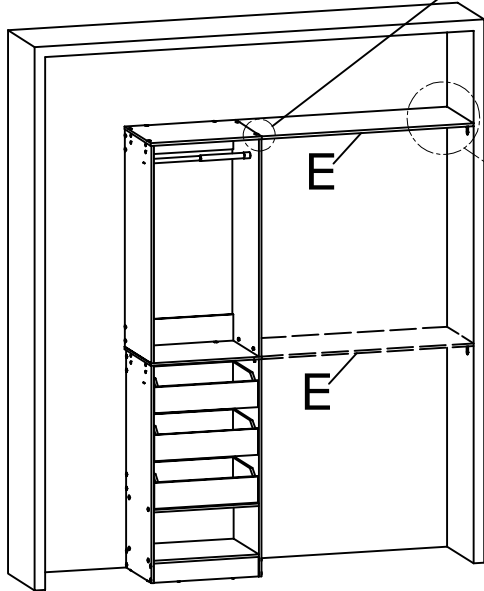
Note: Twist the expandable pole clockwise to tighten. anticlockwise to loosen.

STEP 19

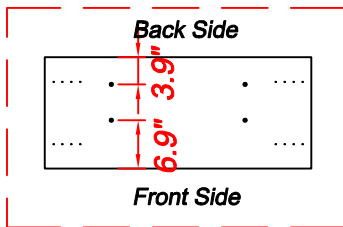
Long Shelf installation

There are 2 heights for the right shelf and pole to be adjusted as you need.

- ⑨  x2
- ⑧  x4
- ⑮  x4



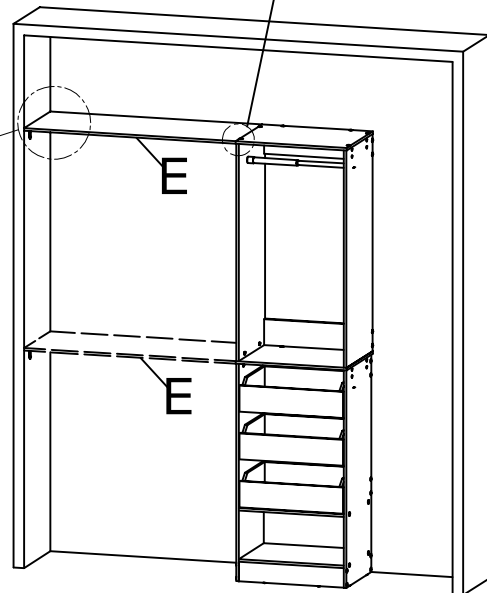
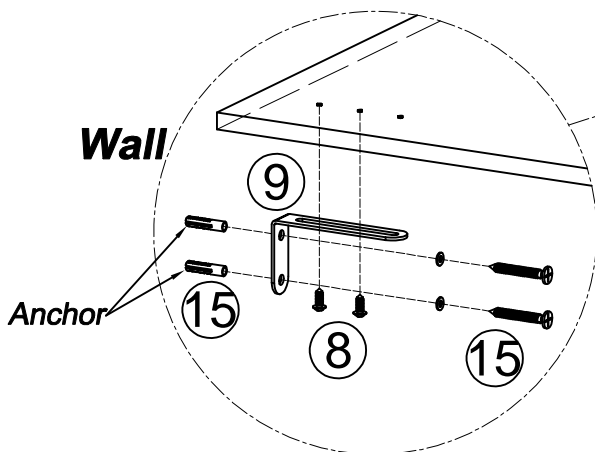
Note: If long shelf (E) needs cut to fit inside your closet space, cut the shelf and do not use a hacksaw. It is recommended you hire an insured remodeler for this type of installation.






Keep the holes of the Part E toward this direction as shown

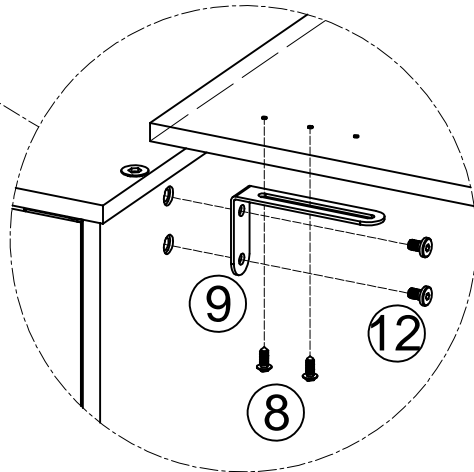
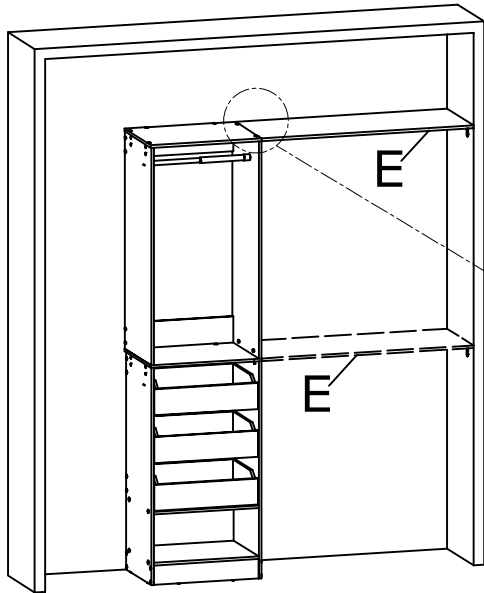
OR

There are 2 heights for the left shelf and pole to be adjusted as you need.



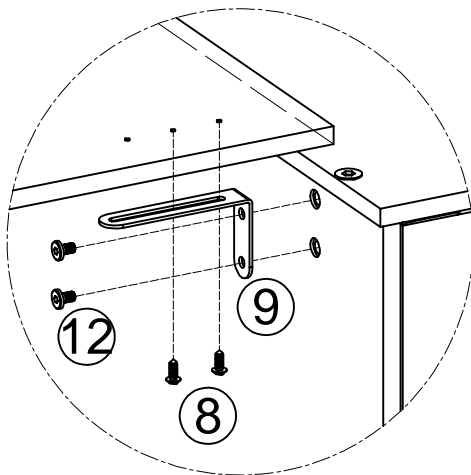
STEP 20

- 9**  x2
- 8**  x4
- 12**  x4

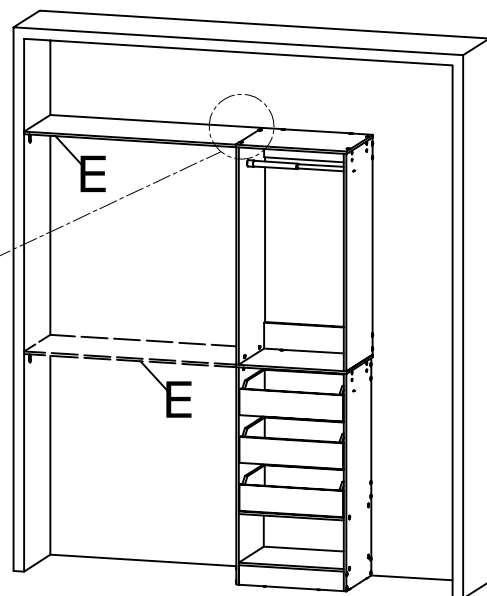


CABINET

OR

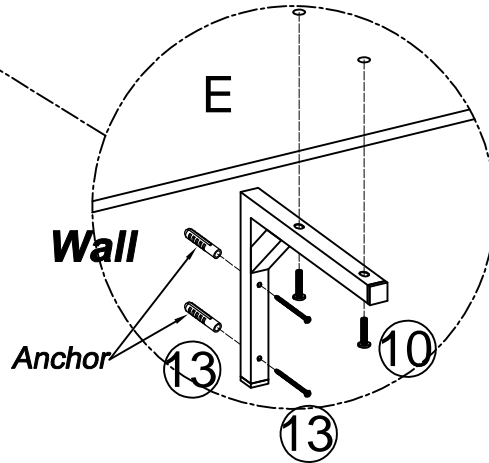
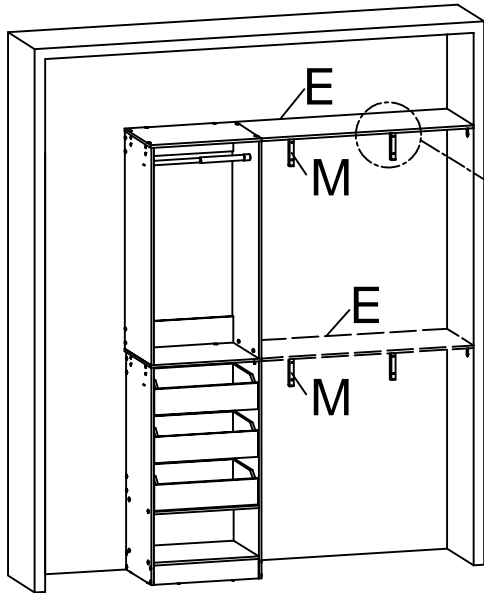
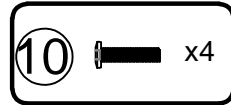


CABINET

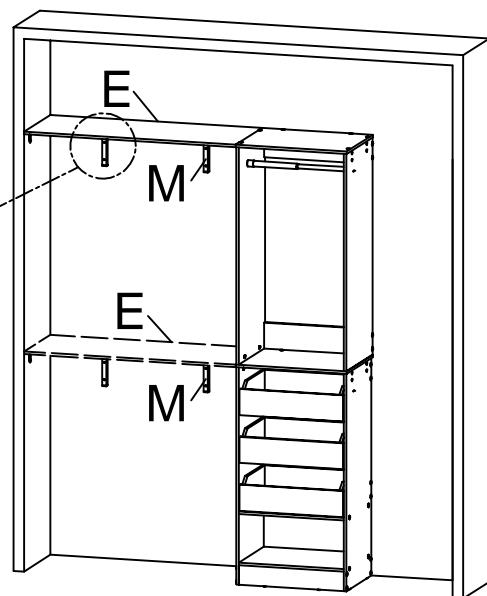
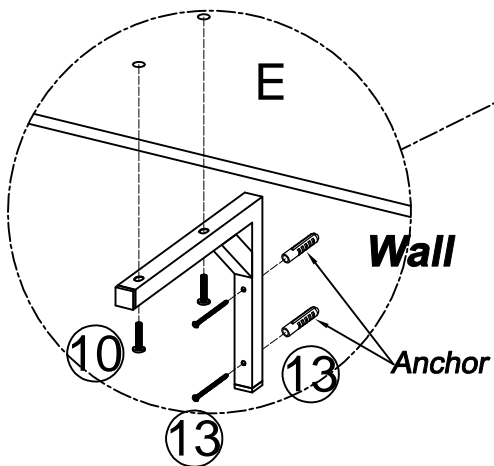


STEP 21

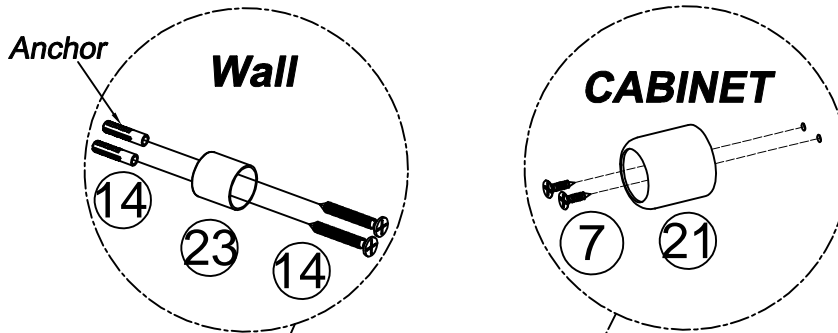
Shelf Support Installation








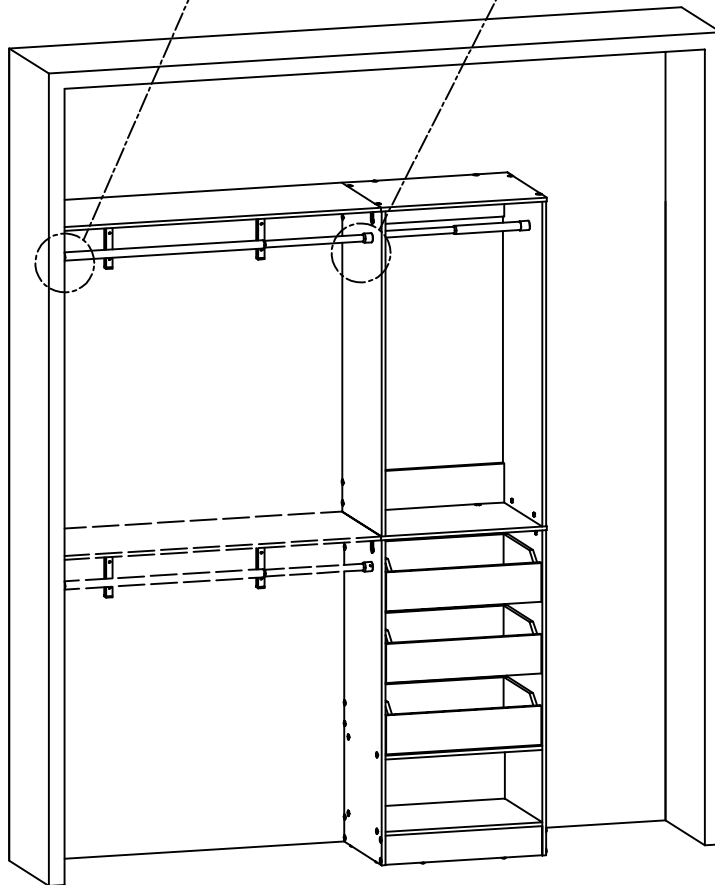
OR



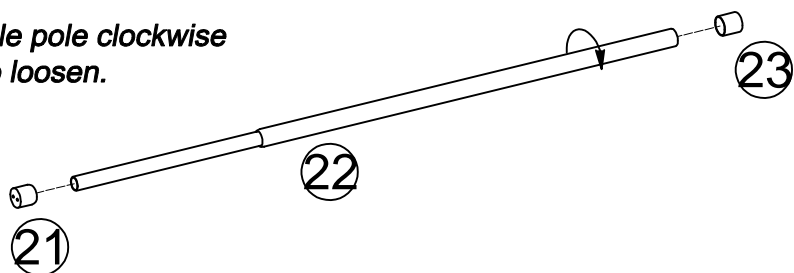
STEP 22



- (7)  x2
- (14)  x2
- (21)  x1
- (22)  x1
- (23)  x1

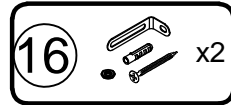


Note: Twist the expandable pole clockwise to tighten. anticlockwise to loosen.



STEP 23

TIPPING RESTRAINT HARDWARE



Note: We have included two Tipping Restraint Hardware set for this Unit. When properly installed, this restraint can provide protection against the unexpected tipping of the Unit due to small tremors, bumps or climbing. We strongly recommend mounting this hardware to a wall stud and your Unit.

Note: You must install the Tipping Restraint Hardware with the unit in use to prevent any accidents or damage to the unit.

